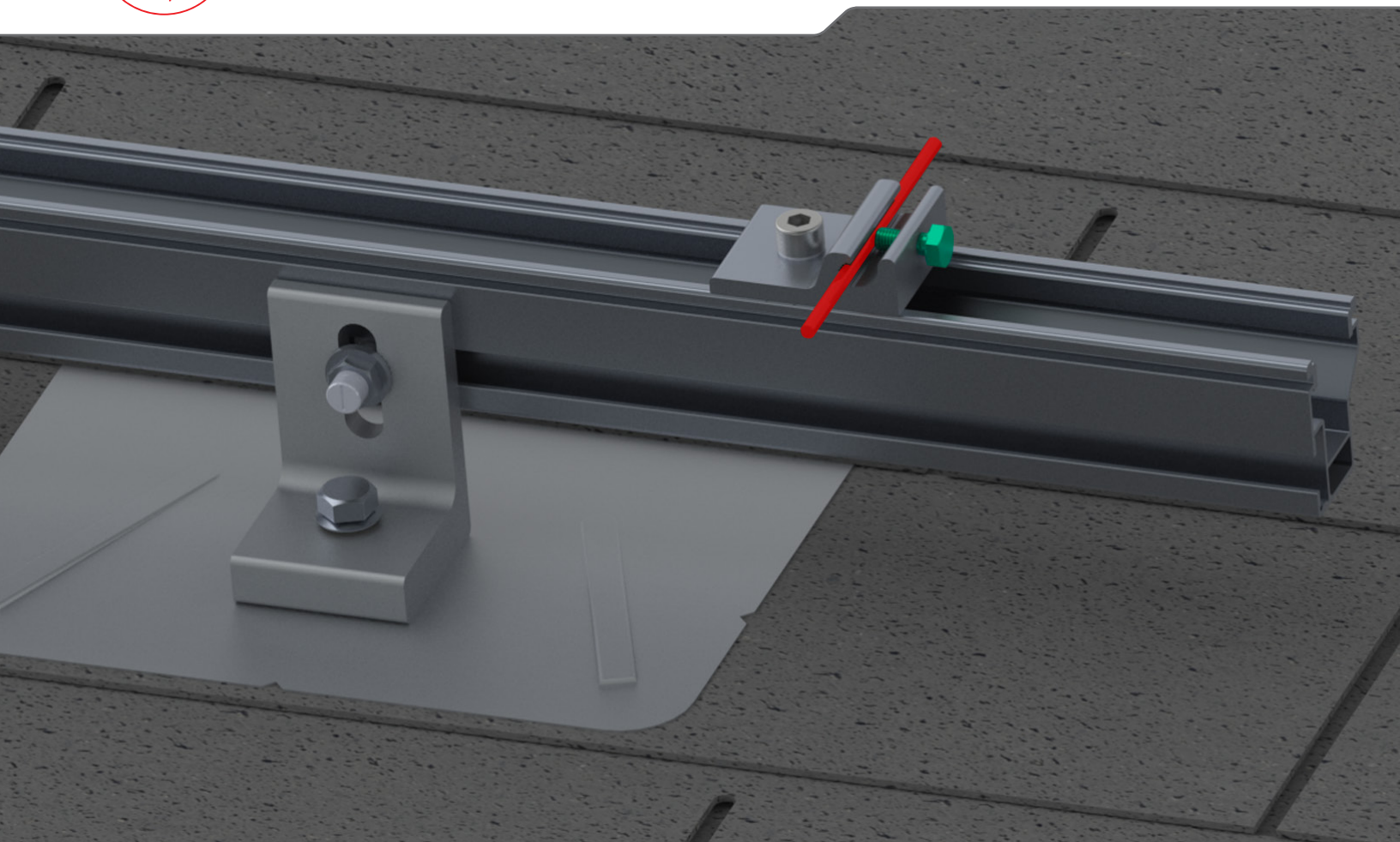




# Everest Ground Lug



Part Number	Description
4000006	Everest Ground Lug Set

- ▶ Top mount configuration
- ▶ No copper wire bending needed; makes for a simple installation
- ▶ Cost competitive
- ▶ UL 2703 listed
- ▶ Compatible with 8AWG and 6AWG solid copper wire

