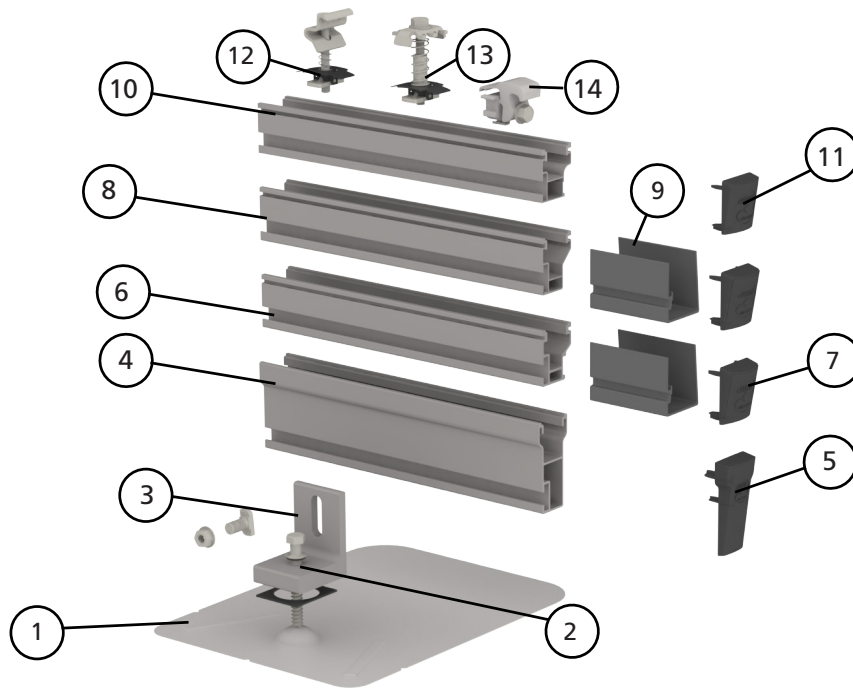
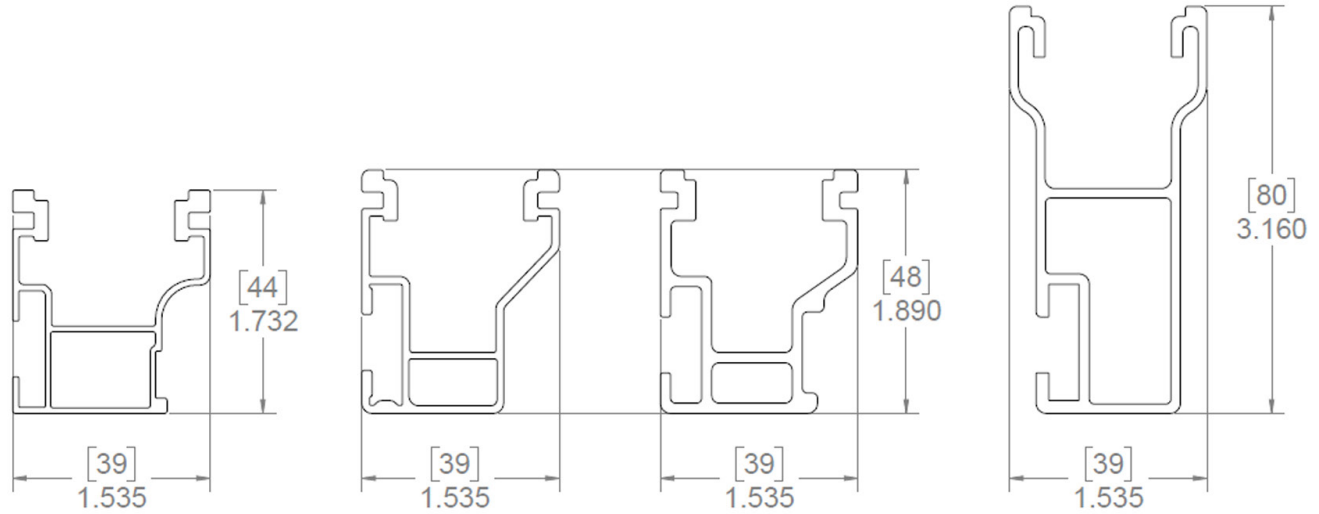




CrossRail System



| Item No. | Description | Part No. |
|----------|---|---------------------------|
| 1 | EverFlash XP Comp Kit, Mill or Dark | 4000060, 4000061, 4000057 |
| 2 | Lag Bolt D145/16 x 4" SS | 4000359 |
| 3 | L-Foot XP Set, Mill or Dark | 4000036, 4000038 |
| 4 | CrossRail 80 168" Rail, Mill | 4000508 |
| 5 | CrossRail 80 End Cap, Black | 4001221 |
| 6 | CrossRail 48-XL 166", Mill or Dark | 4000695, 4000705 |
| 7 | CrossRail 48-X/48-XL End Cap | 4000433 |
| 8 | CrossRail 48-X 166" or 175", Mill or Dark | 4000662, 4000675, 4000663 |
| 9 | CrossRail 48-X/48-XL 3" Sleeve | 4000583 |
| 10 | CrossRail 44-X 166", Mill or Dark | 4000019, 4000020 |
| 11 | CrossRail 44-X End Cap | 4000067 |
| 12 | CR Mid Clamp Silver or Dark | 4000601-H, 4000602-H |
| 13 | CR End Clamp Silver or Dark | 4000429, 4000430 |
| 14 | Yeti Clamp (Hidden End Clamp) | 40000050-H |

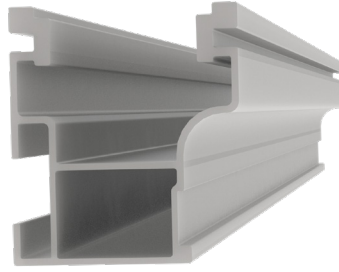


Technical data



| | CrossRail System |
|---------------------|---|
| Roof Type | Composition shingle, tile, standing seam |
| Material | High corrosion resistance stainless steel and high grade aluminum |
| Flexibility | Modular construction, suitable for any system size, height adjustable |
| PV Modules | For all common module types |
| Module Orientation | Portrait and landscape |
| Roof Attachment | Screw connection into rafter |
| Structural Validity | IBC compliant, stamped engineering letters available for all solar states |
| Warranty | 25 years |

CrossRail 44-X

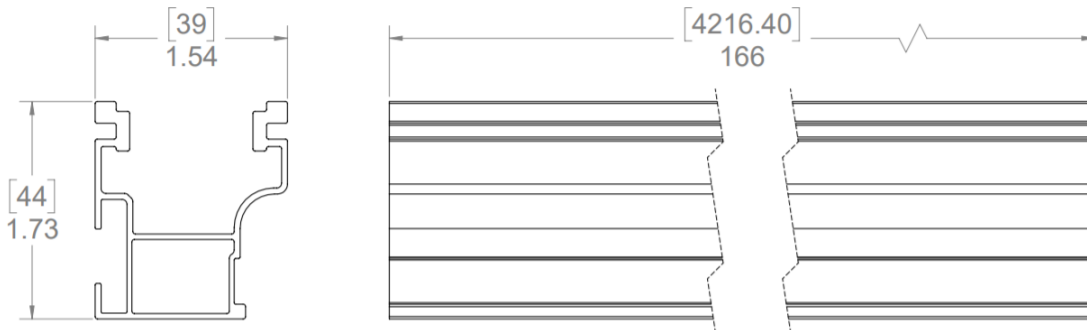


Mechanical Properties

| CrossRail 44-X | |
|---------------------------|--------------------------|
| Material | 6000 Series Aluminum |
| Ultimate Tensile Strength | 37.7 ksi (260 MPa) |
| Yield Strength | 34.8 ksi (240 MPa) |
| Weight | 0.47 lbs/ft (0.699 kg/m) |
| Finish | Mill or Dark Anodized |

Section Properties

| CrossRail 44-X | |
|----------------|--|
| S _x | 0.1490 in ³ (0.3785 cm ³) |
| S _y | 0.1450 in ³ (0.3683 cm ³) |
| A (X-Section) | 0.4050 in ² (1.0287 cm ²) |

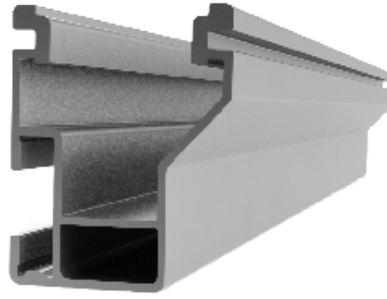


Dimensions in [mm] Inches

Notes:

- ▶ Structural values and span charts determined in accordance with Aluminum Design Manual and ASCE 7-16
- ▶ UL2703 Listed System for Fire and Bonding

CrossRail 48-X

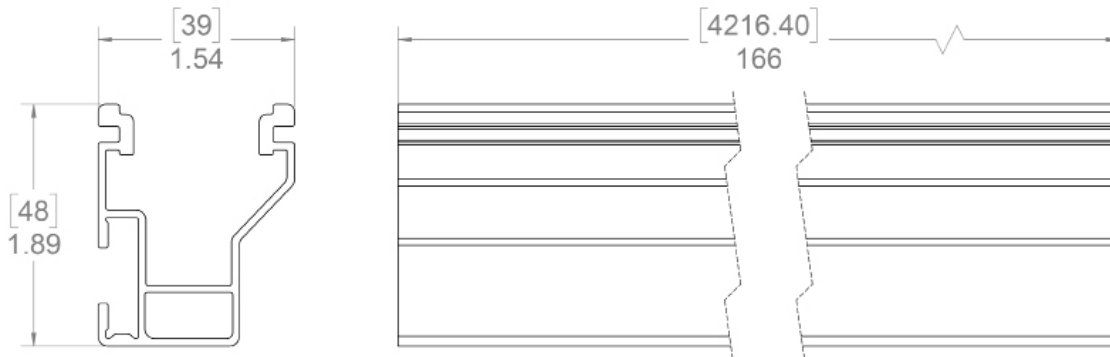


Mechanical Properties

| CrossRail 48-X | |
|---------------------------|--------------------------|
| Material | 6000 Series Aluminum |
| Ultimate Tensile Strength | 37.7 ksi (260 MPa) |
| Yield Strength | 34.8 ksi (240 MPa) |
| Weight | 0.56 lbs/ft (0.833 kg/m) |
| Finish | Mill or Dark Anodized |

Section Properties

| CrossRail 48-X | |
|----------------|--|
| Sx | 0.199 in ³ (3.261 cm ³) |
| Sy | 0.153 in ³ (2.507 cm ³) |
| A (X-Section) | 0.467 in ² (3.013 cm ²) |

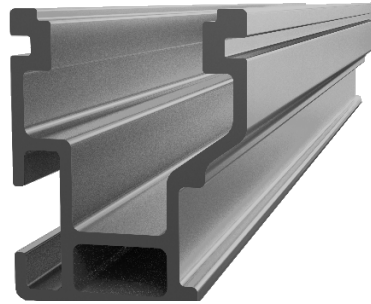


Dimensions in [mm] Inches

Notes:

- ▶ Structural values and span charts determined in accordance with Aluminum Design Manual and ASCE 7-16
- ▶ UL2703 Listed System for Fire and Bonding

CrossRail 48-XL

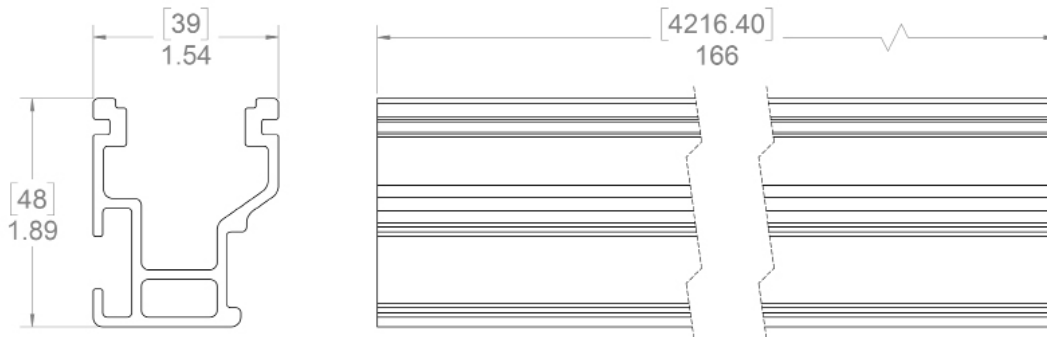


Mechanical Properties

| CrossRail 48-XL | |
|---------------------------|-------------------------|
| Material | 6000 Series Aluminum |
| Ultimate Tensile Strength | 37.7 ksi (260 MPa) |
| Yield Strength | 34.8 ksi (240 MPa) |
| Weight | 0.76 lbs/ft (1.13 kg/m) |
| Finish | Mill or Dark Anodized |

Section Properties

| CrossRail 48-XL | |
|-----------------|--|
| S _x | 0.279 in ³ (4.571 cm ³) |
| S _y | 0.257 in ³ (4.213 cm ³) |
| A (X-Section) | 0.652 in ² (4.207 cm ²) |



Dimensions in [mm] Inches

Notes:

- ▶ Structural values and span charts determined in accordance with Aluminum Design Manual and ASCE 7-16
- ▶ UL2703 Listed System for Fire and Bonding

CrossRail 80

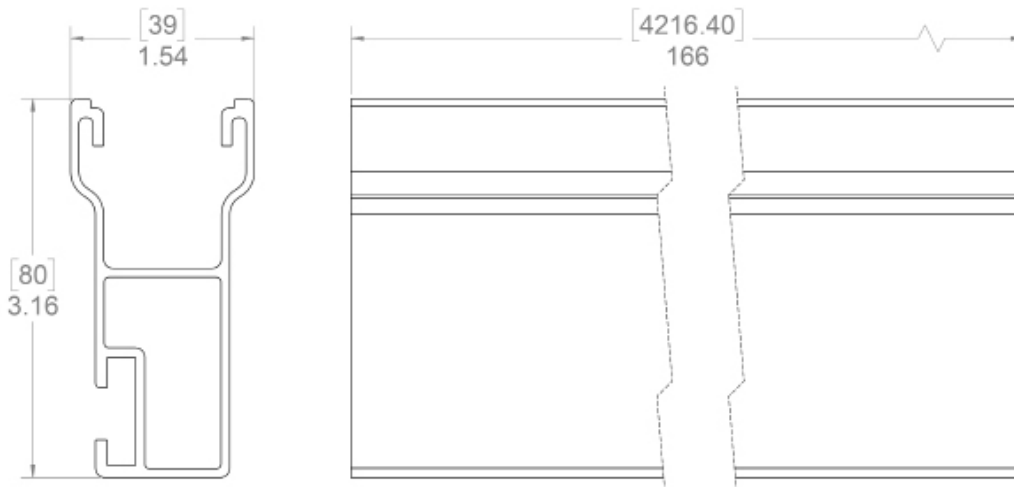


Mechanical Properties

| CrossRail 80 | |
|---------------------------|-------------------------|
| Material | 6000 Series Aluminum |
| Ultimate Tensile Strength | 37.7 ksi (260 MPa) |
| Yield Strength | 34.8 ksi (240 MPa) |
| Weight | 0.76 lbs/ft (1.13 kg/m) |
| Finish | Mill or Dark Anodized |

Section Properties

| CrossRail 80 | |
|----------------|--|
| S _x | 0.279 in ³ (4.571 cm ³) |
| S _y | 0.257 in ³ (4.213 cm ³) |
| A (X-Section) | 0.652 in ² (4.207 cm ²) |



Dimensions in [mm] Inches

Notes:

- ▶ Structural values and span charts determined in accordance with Aluminum Design Manual and ASCE 7-16
- ▶ UL2703 Listed System for Fire and Bonding