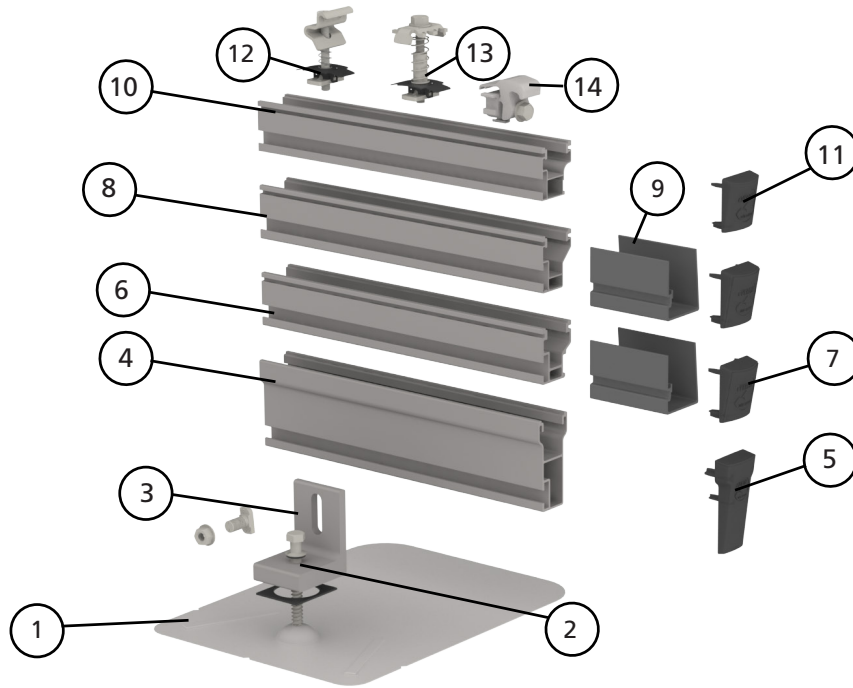
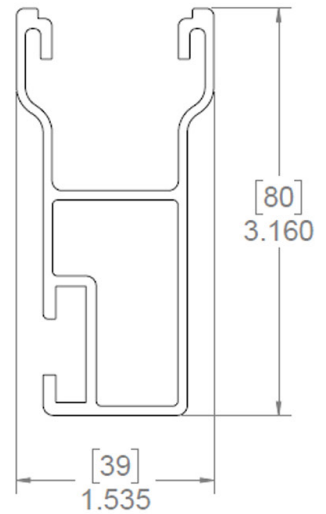
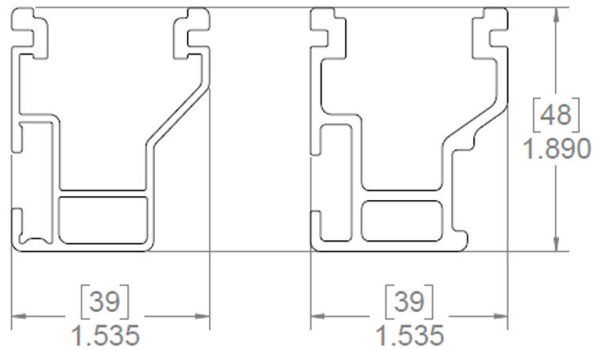
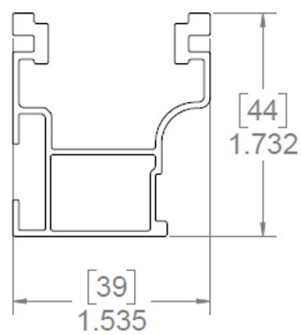




CrossRail System



Item No.	Description	Part No.
1	EverFlash XP Comp Kit, Mill or Dark	4000060, 4000061, 4000057
2	Lag Bolt D145/16 x 4" SS	4000359
3	L-Foot XP Set, Mill or Dark	4000036, 4000038
4	CrossRail 80 168" Rail, Mill	4000508
5	CrossRail 80 End Cap, Black	4001221
6	CrossRail 48-XL 166", Mill or Dark	4000695, 4000705
7	CrossRail 48-X/48-XL End Cap or Flat End Cap	4000433, 4000431
8	CrossRail 48-X 166" or 180", Mill or Dark	4000662, 4000675, 4000663
9	CrossRail 48-X/48-XL 3" Sleeve	4000583
10	CrossRail 44-X 166", Mill or Dark	4000019, 4000020
11	CrossRail 44-X End Cap	4000067
12	CR Mid Clamp Silver or Dark	4000601-H, 4000602-H
13	CR End Clamp Silver or Dark	4000429, 4000430
14	Yeti Clamp (Hidden End Clamp)	40000050-H

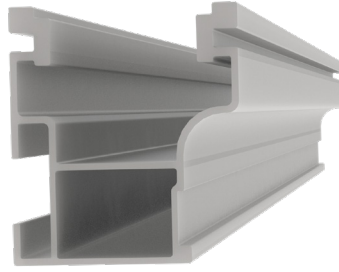


Technical data



	CrossRail System
Roof Type	Composition shingle, tile, standing seam
Material	High corrosion resistance stainless steel and high grade aluminum
Flexibility	Modular construction, suitable for any system size, height adjustable
PV Modules	For all common module types
Module Orientation	Portrait and landscape
Roof Attachment	Screw connection into rafter
Structural Validity	IBC compliant, stamped engineering letters available for all solar states
Warranty	25 years

CrossRail 44-X

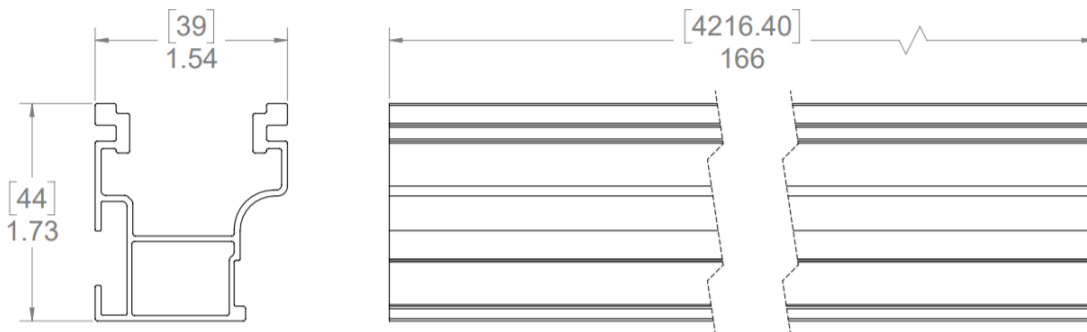


Mechanical Properties

CrossRail 44-X	
Material	6000 Series Aluminum
Ultimate Tensile Strength	37.7 ksi (260 MPa)
Yield Strength	34.8 ksi (240 MPa)
Weight	0.47 lbs/ft (0.699 kg/m)
Finish	Mill or Dark Anodized

Section Properties

CrossRail 44-X	
S _x	0.1490 in ³ (0.3785 cm ³)
S _y	0.1450 in ³ (0.3683 cm ³)
A (X-Section)	0.4050 in ² (1.0287 cm ²)

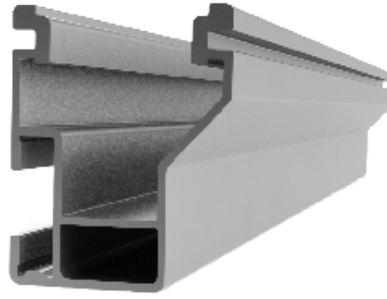


Dimensions in [mm] Inches

Notes:

- ▶ Structural values and span charts determined in accordance with Aluminum Design Manual and ASCE 7-16
- ▶ UL2703 Listed System for Fire and Bonding

CrossRail 48-X

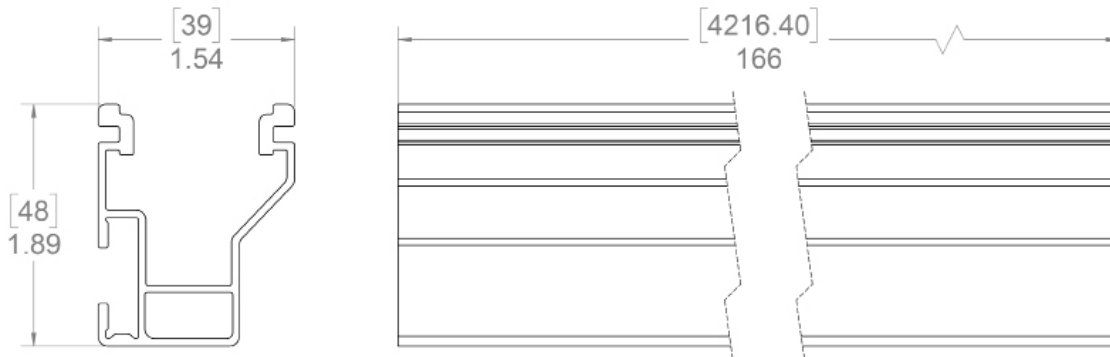


Mechanical Properties

CrossRail 48-X	
Material	6000 Series Aluminum
Ultimate Tensile Strength	37.7 ksi (260 MPa)
Yield Strength	34.8 ksi (240 MPa)
Weight	0.56 lbs/ft (0.833 kg/m)
Finish	Mill or Dark Anodized

Section Properties

CrossRail 48-X	
S _x	0.199 in ³ (3.261 cm ³)
S _y	0.153 in ³ (2.507 cm ³)
A (X-Section)	0.467 in ² (3.013 cm ²)

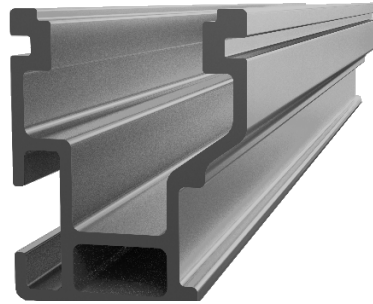


Dimensions in [mm] Inches

Notes:

- ▶ Structural values and span charts determined in accordance with Aluminum Design Manual and ASCE 7-16
- ▶ UL2703 Listed System for Fire and Bonding

CrossRail 48-XL

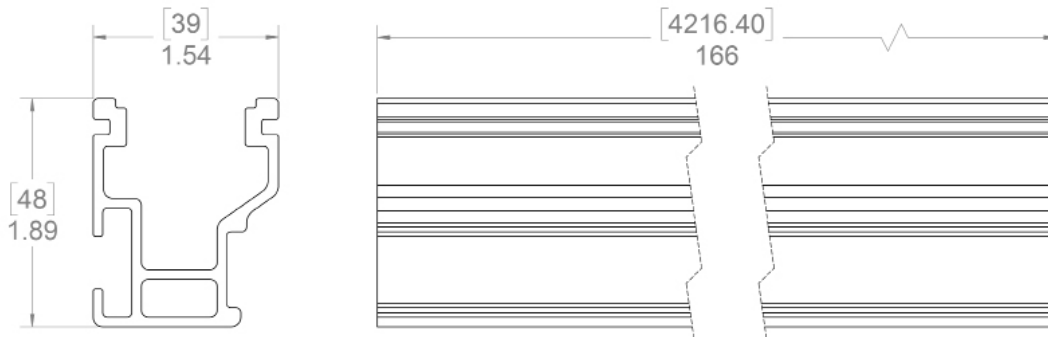


Mechanical Properties

CrossRail 48-XL	
Material	6000 Series Aluminum
Ultimate Tensile Strength	37.7 ksi (260 MPa)
Yield Strength	34.8 ksi (240 MPa)
Weight	0.76 lbs/ft (1.13 kg/m)
Finish	Mill or Dark Anodized

Section Properties

CrossRail 48-XL	
Sx	0.279 in ³ (4.571 cm ³)
Sy	0.257 in ³ (4.213 cm ³)
A (X-Section)	0.652 in ² (4.207 cm ²)



Dimensions in [mm] Inches

Notes:

- ▶ Structural values and span charts determined in accordance with Aluminum Design Manual and ASCE 7-16
- ▶ UL2703 Listed System for Fire and Bonding

CrossRail 80

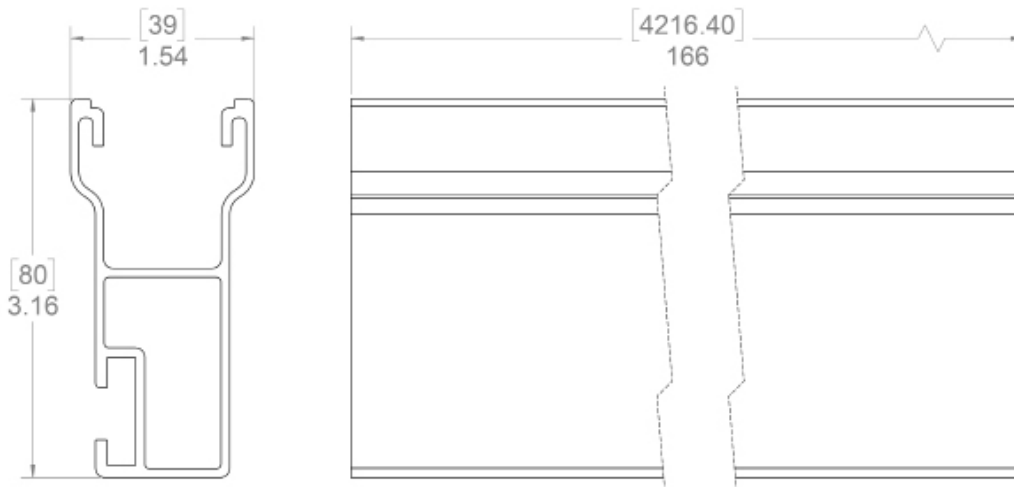


Mechanical Properties

CrossRail 80	
Material	6000 Series Aluminum
Ultimate Tensile Strength	37.7 ksi (260 MPa)
Yield Strength	34.8 ksi (240 MPa)
Weight	0.76 lbs/ft (1.13 kg/m)
Finish	Mill or Dark Anodized

Section Properties

CrossRail 80	
S _x	0.279 in ³ (4.571 cm ³)
S _y	0.257 in ³ (4.213 cm ³)
A (X-Section)	0.652 in ² (4.207 cm ²)



Dimensions in [mm] Inches

Notes:

- ▶ Structural values and span charts determined in accordance with Aluminum Design Manual and ASCE 7-16
- ▶ UL2703 Listed System for Fire and Bonding