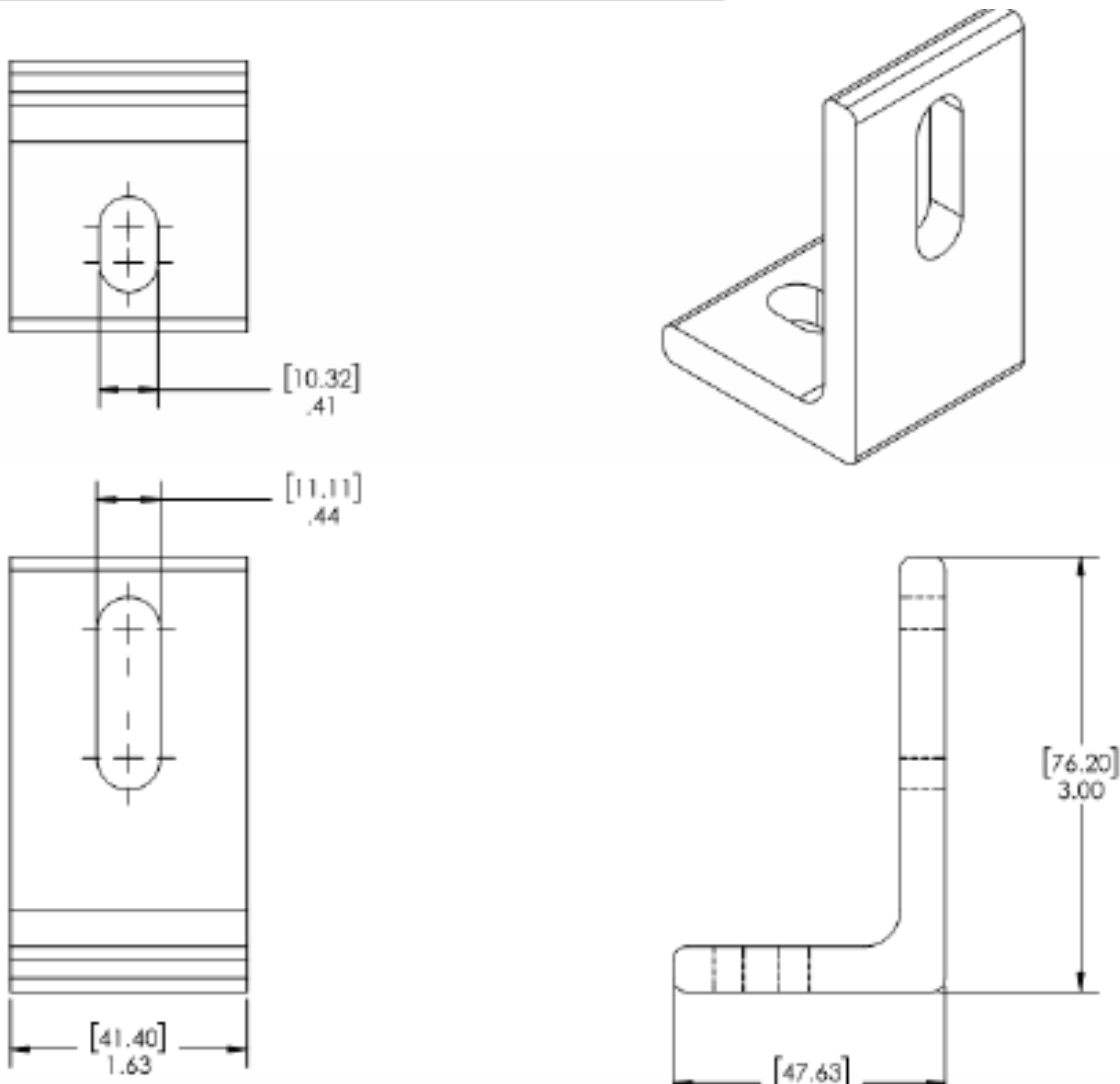




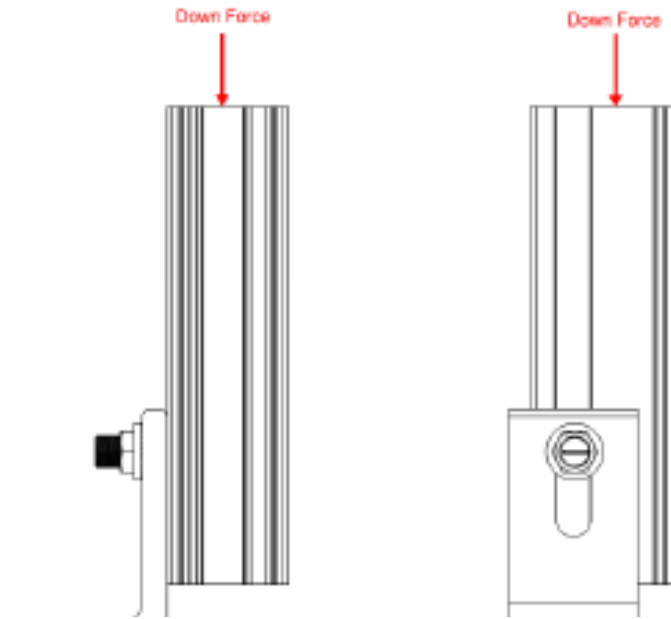
L-Foot



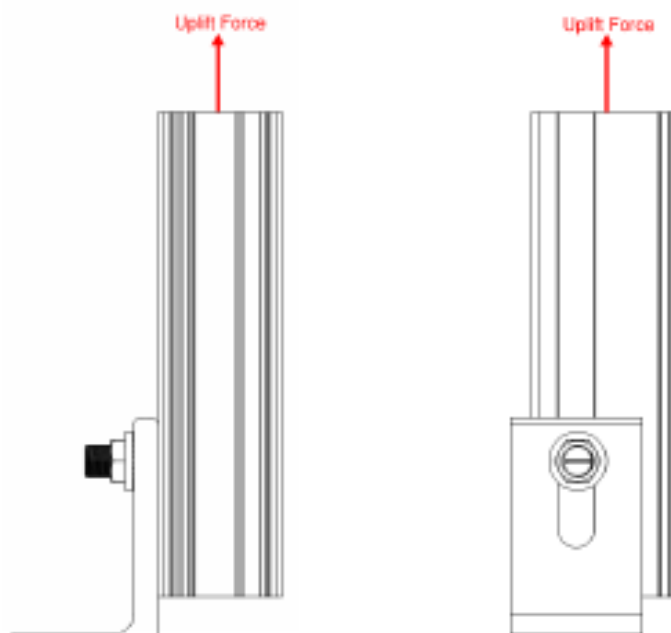
Technical data

L-Foot	
Units	[mm] inches
Material	6000 Series Aluminum
Yield Strength	31.2 ksi

► Note: All Everest L-Foot parts (eComp Kit, qComp Kit and Slotted L-Foot) have the same extrusion geometries. These components behave the same structurally.



Max Allowable Downforce: 705 lbs



Max Allowable Uplift Force: 715 lbs