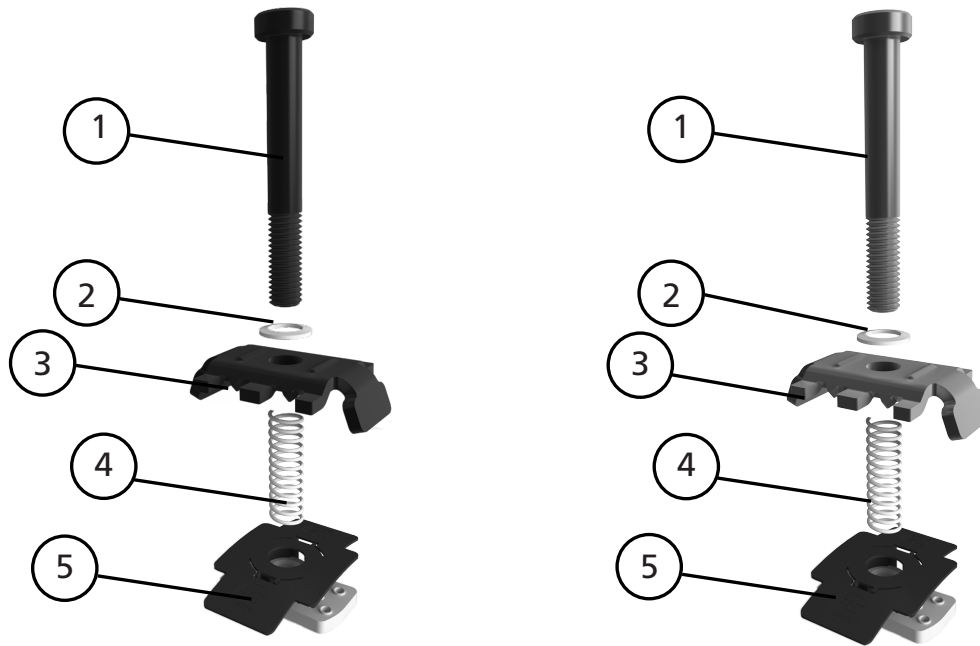




CrossRail Mid Clamp



Item No.	Description	Part No.
1	Allen Bolt	4000601CR MC Silver, 30-47mm, Shared RL 30-42mm
2	Lock Washer	4000602 CR MC Dark, 30-47mm, Shared RL 30-42mm
3	Mid Clamp	
4	Clamp Spring	
5	MK3 Slot Nut	

Technical data

	Mid Clamp
Scope of application	Used with all of our CrossRail based systems
Fastening type / roof fixture	Clamp
Module orientation	Vertical or horizontal
Material	Stainless steel
Compatible module frame size	30-47mm
Warranty	25 years