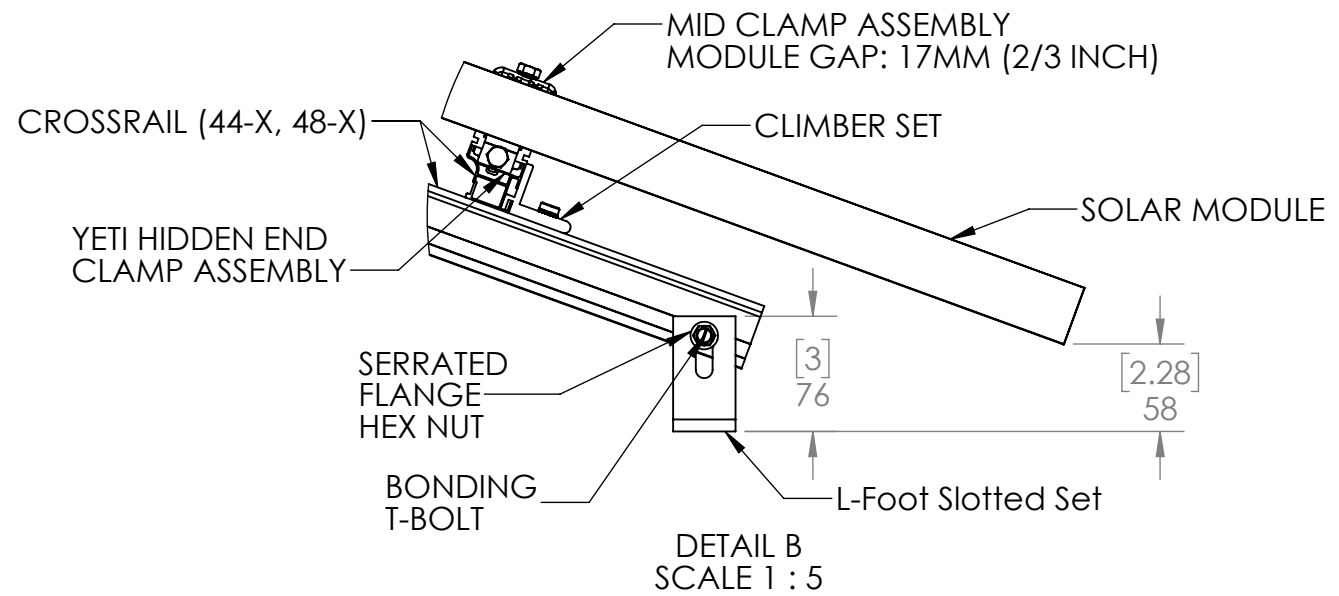
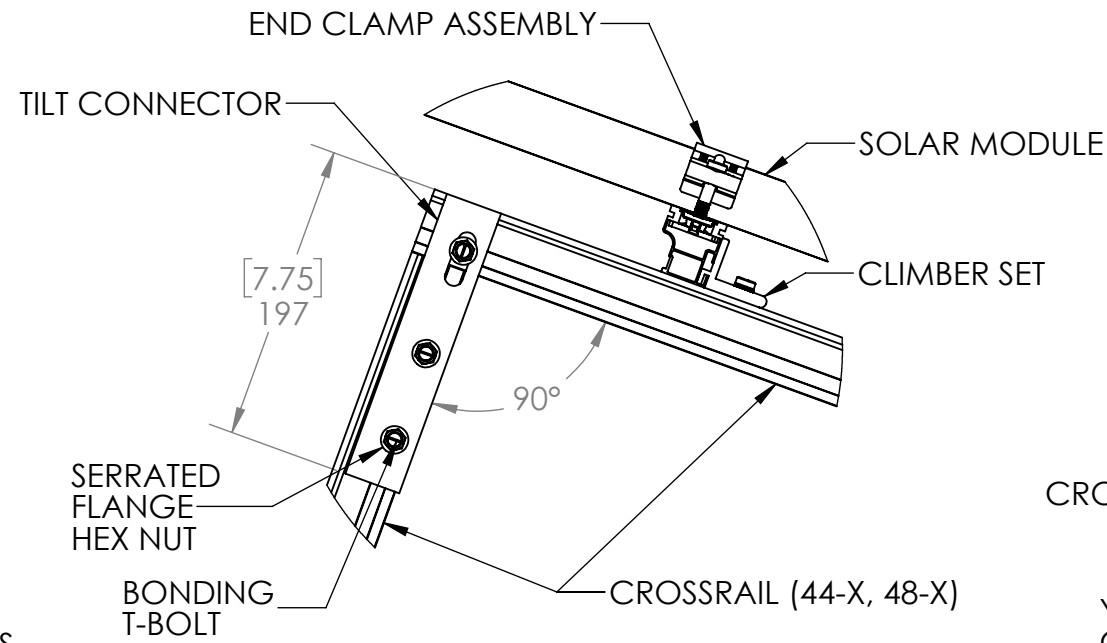
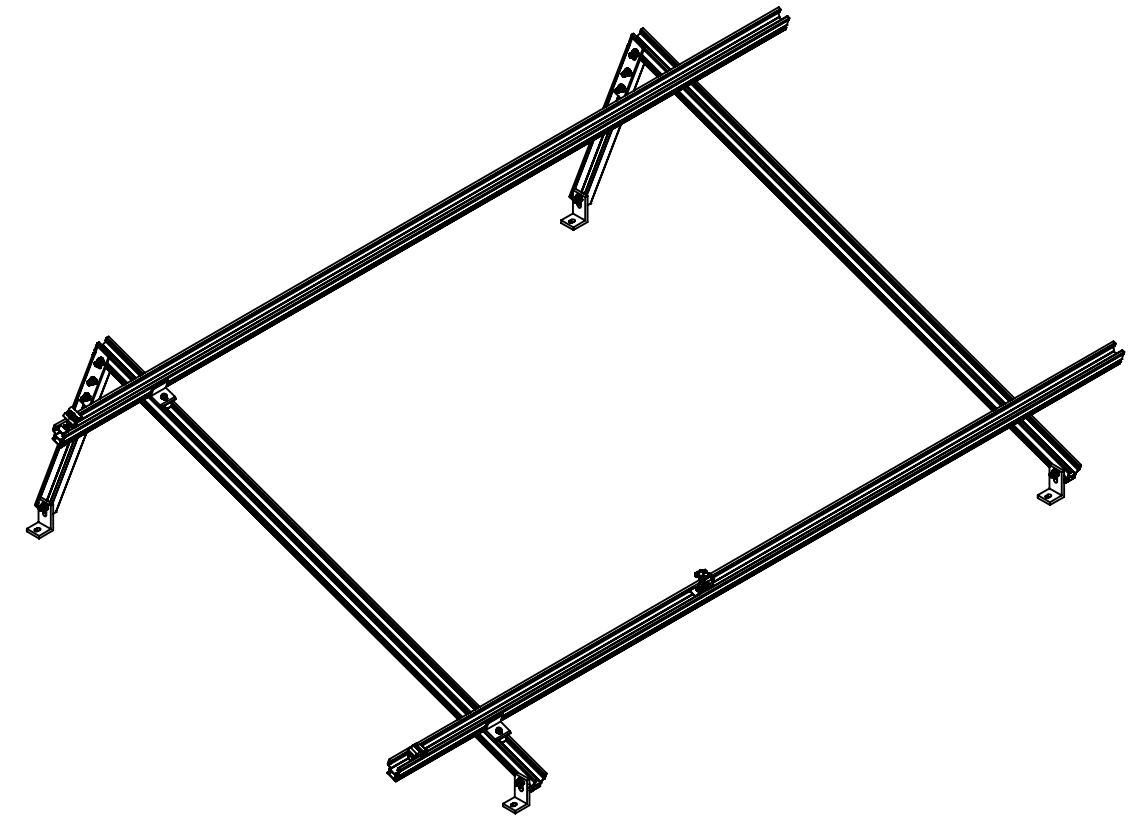
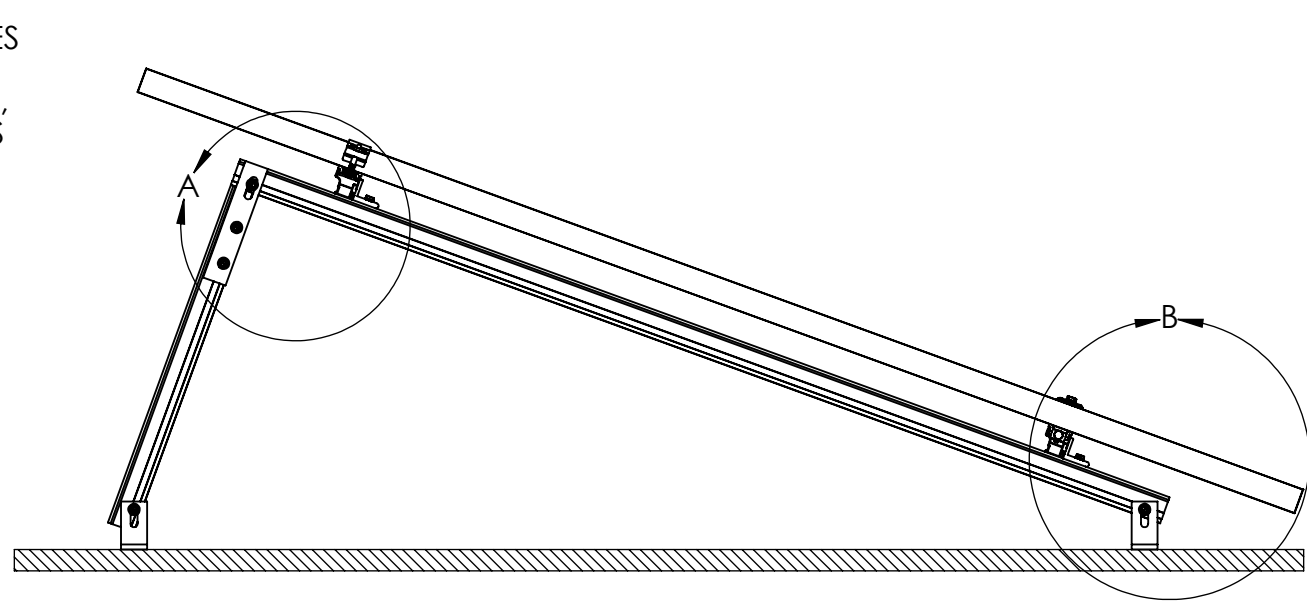
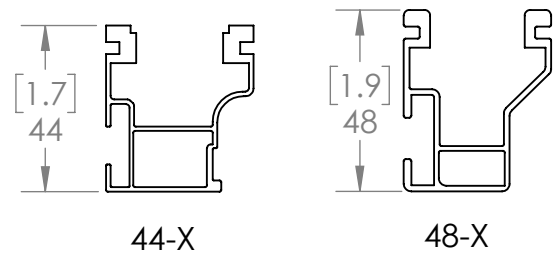


NOTE:
 PROPRIETARY GEOMETRIES
 HAVE BEEN REMOVED.
 GENERAL LENGTH, WIDTH,
 AND HEIGHT GEOMETRIES
 WERE NOT ALTERED.

DIMENSIONS:
 [INCHES]
 MM



CROSSRAILS



DETAIL A
 SCALE 1 : 5

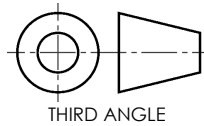
DETAIL B
 SCALE 1 : 5

REVISION HISTORY

Revision	Date	Description
01		
02		
03		
04		
05		

PROPRIETARY AND CONFIDENTIAL

THE INFORMATION CONTAINED IN THIS DRAWING IS THE SOLE PROPERTY OF EVEREST SOLAR SYSTEMS. ANY REPRODUCTION IN PART OR AS A WHOLE WITHOUT THE WRITTEN PERMISSION OF EVEREST SOLAR SYSTEMS IS PROHIBITED.



Everest Solar Systems, LLC.
 a division of K2 Systems International
 2835 La Mirada Dr Suite A
 Vista, CA 92081
 phone 760.301.5300



Title:

TILT-UP CROSSRAIL DETAIL

Size:

B

All Dimensions are mm

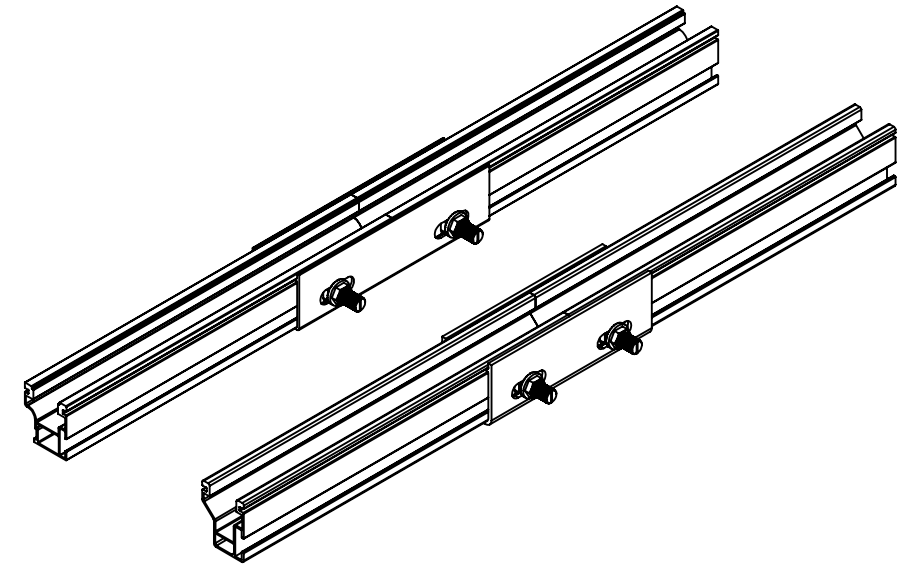
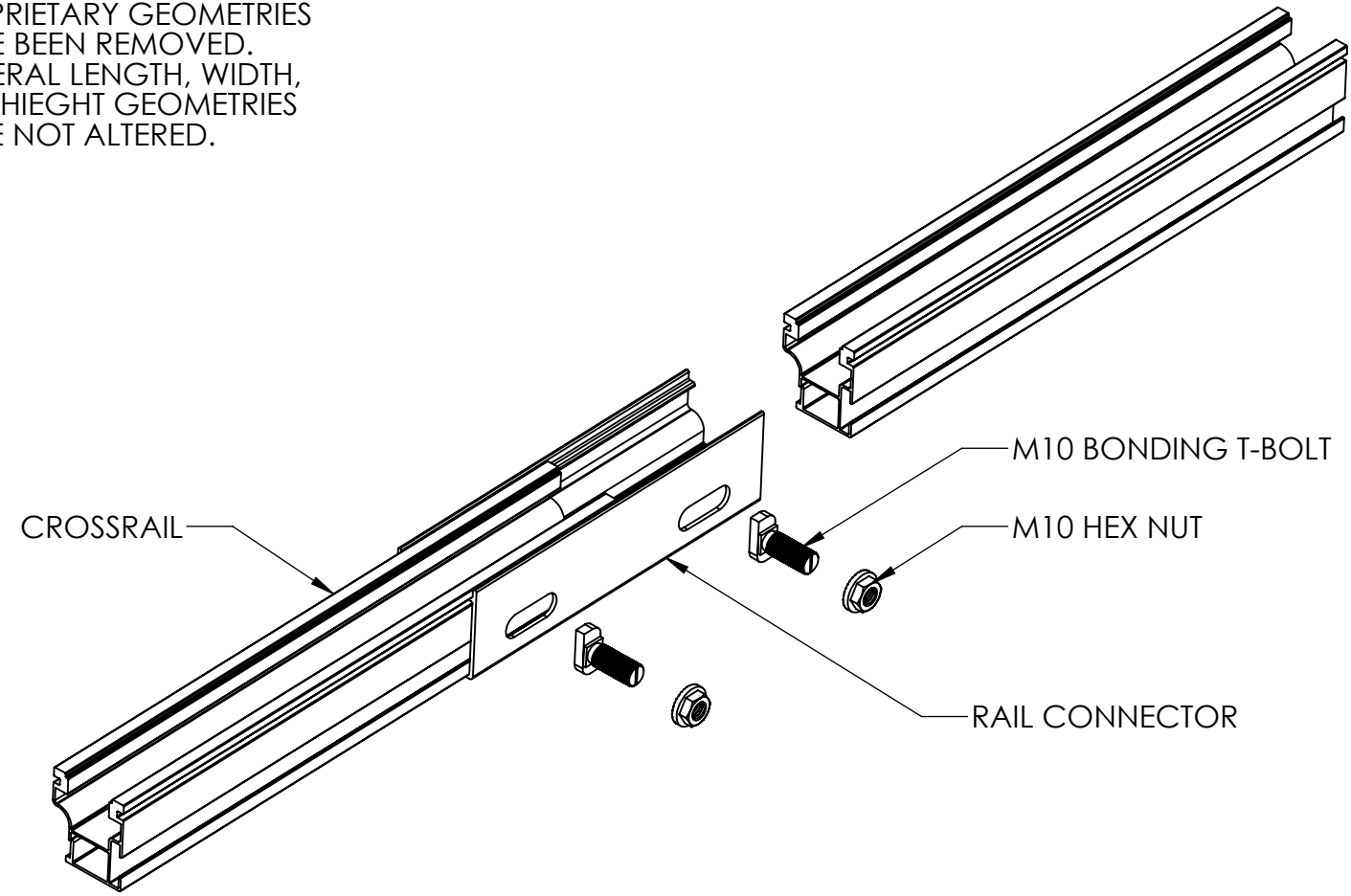
Scale: 1:25

Revision: 00

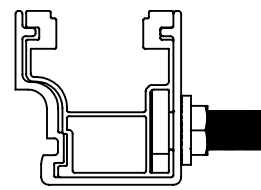
Sheet 1 of 2

This drawing is the sole property of Everest Solar Systems. It is protected by copyright and may only be copied, reproduced or distributed to a third party with explicit permission!

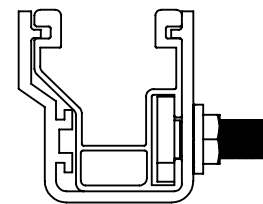
NOTE:
 PROPRIETARY GEOMETRIES
 HAVE BEEN REMOVED.
 GENERAL LENGTH, WIDTH,
 AND HIEGHT GEOMETRIES
 WERE NOT ALTERED.



RAIL CONNECTOR ASSEMBLIES



44-X



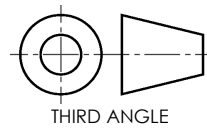
48-X

REVISION HISTORY

Revision	Date	Description
01		
02		
03		
04		
05		

PROPRIETARY AND CONFIDENTIAL

THE INFORMATION CONTAINED IN THIS DRAWING IS THE SOLE PROPERTY OF EVEREST SOLAR SYSTEMS. ANY REPRODUCTION IN PART OR AS A WHOLE WITHOUT THE WRITTEN PERMISSION OF EVEREST SOLAR SYSTEMS IS PROHIBITED.



THIRD ANGLE



Everest Solar Systems, LLC.
 a division of K2 Systems International
 2835 La Mirada Dr Suite A
 Vista, CA 92081
 phone 760.301.5300



	Name	Date
Drawn	T. WIGGINS	07/29/2020
Checked	R. HAGEN	08/07/2020
Approved	T. WIGGINS	08/10/2020
Last Revision		

Title:

CROSSRAIL RAIL
 CONNECTOR ASSEMBLIES

Size:

B

All Dimensions are mm

Scale: 1:25 Revision: 00 Sheet 2 of 2

This drawing is the sole property of Everest Solar Systems. It is protected by copyright and may only be copied, reproduced or distributed to a third party with explicit permission!