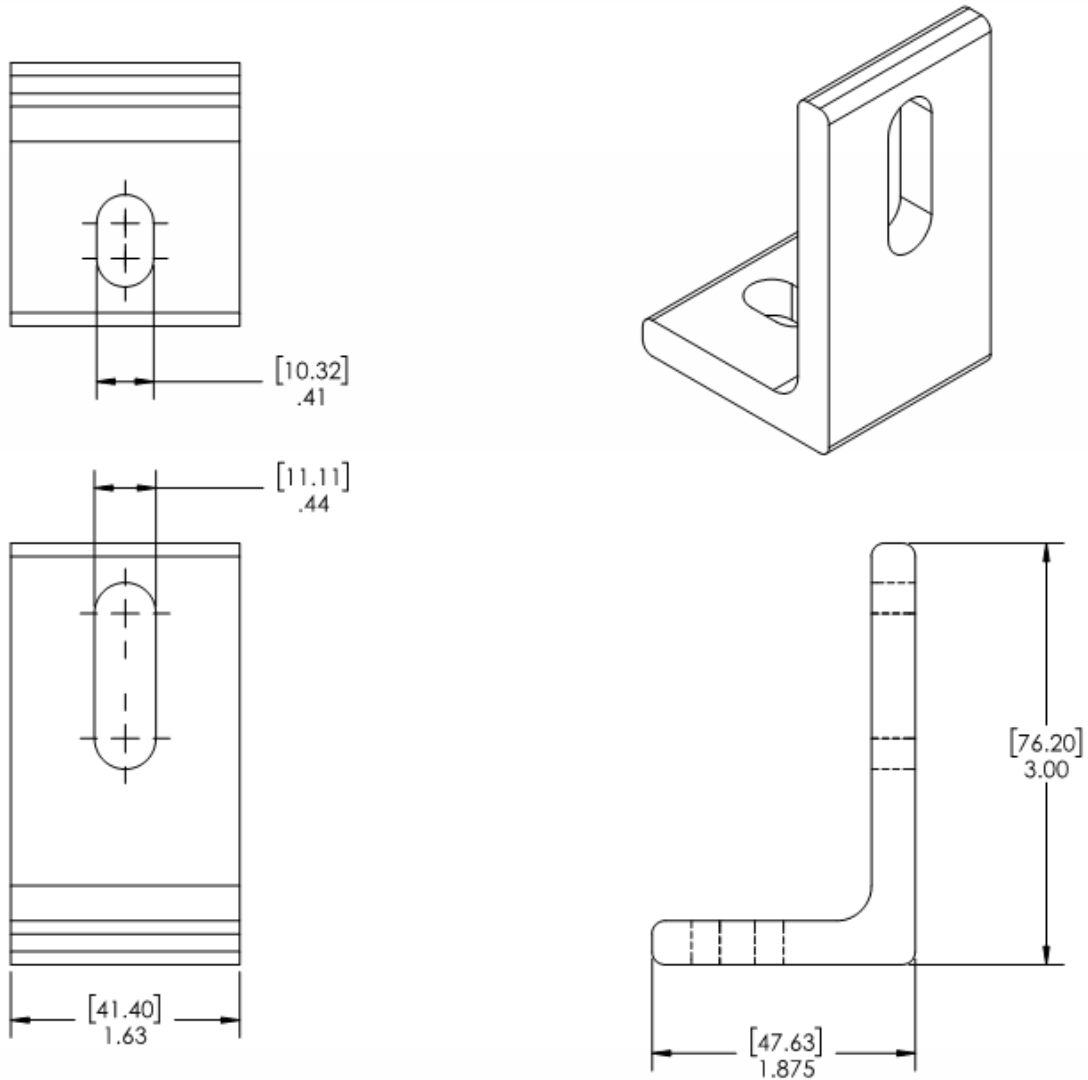


Technical Sheet

L-Foot

Mounting systems for
solar technology



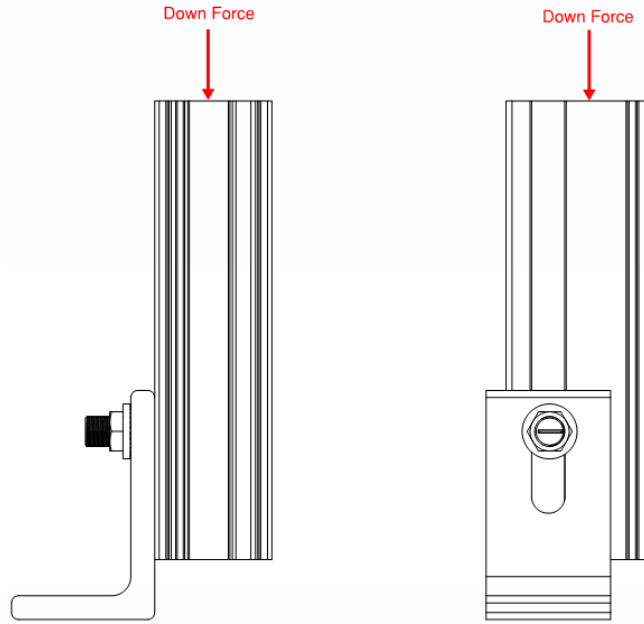
Units: [mm] inches

Material: 6000 Series Aluminum

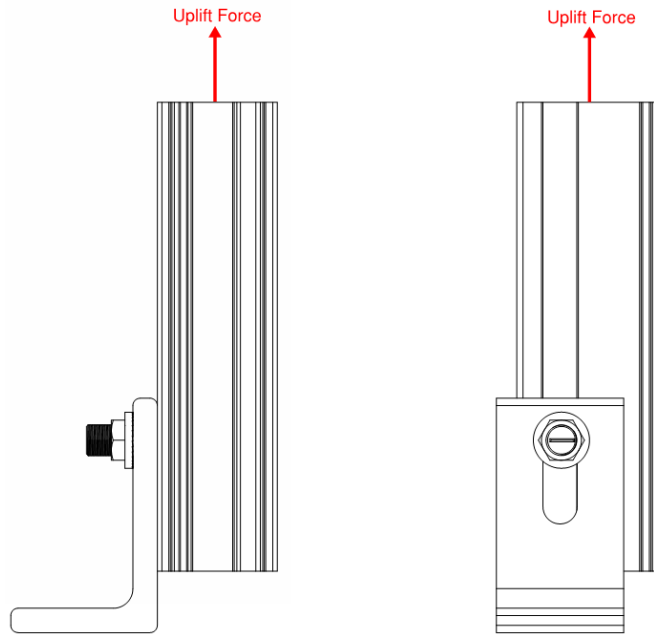
Yield Strength: 31.2 ksi

Note: All Everest L-Foot parts (eComp Kit, qComp Kit, and Slotted L-Foot) have the same extrusion geometries. These components behave the same structurally.

Mounting systems for solar technology



Max Allowable Downforce: 705 lbs



Max Allowable Uplift Force: 715 lbs

