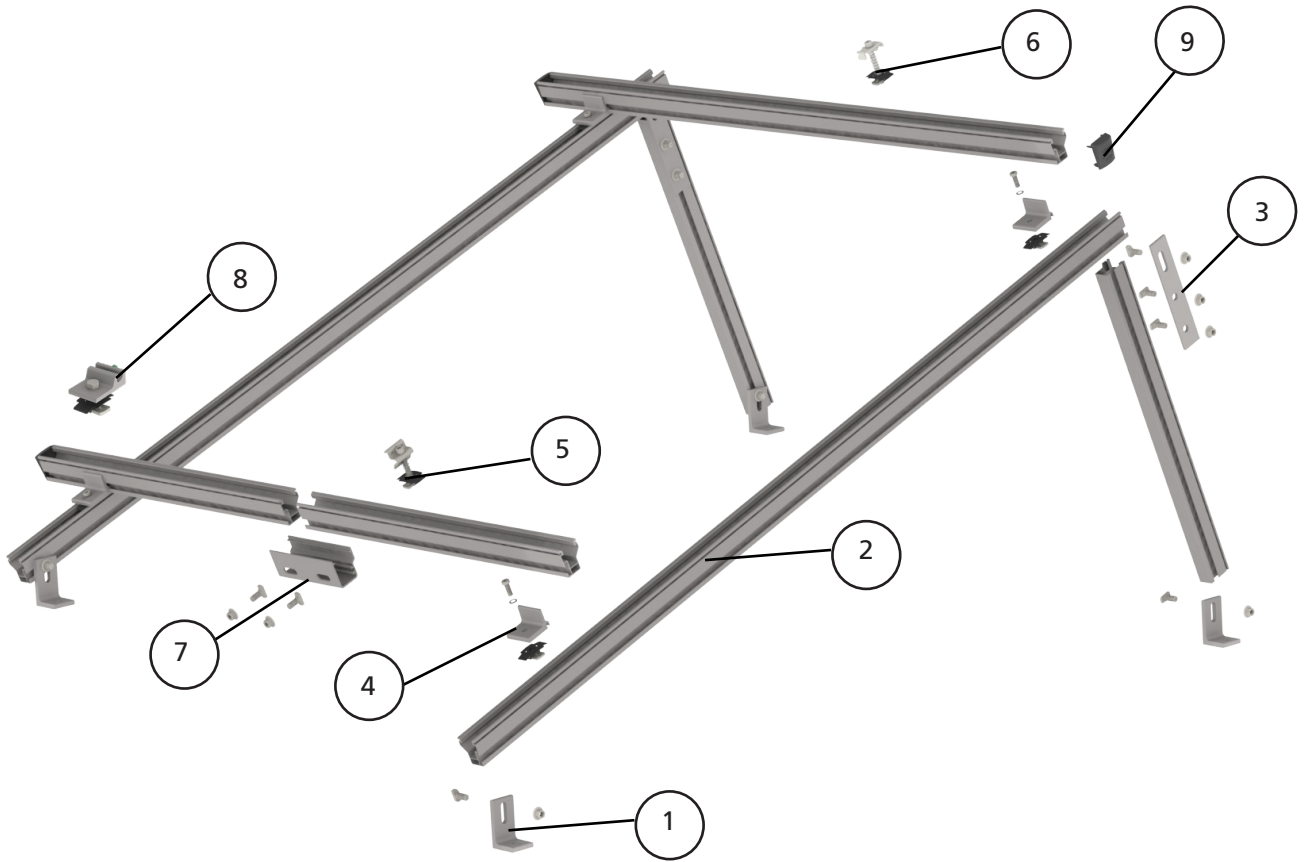
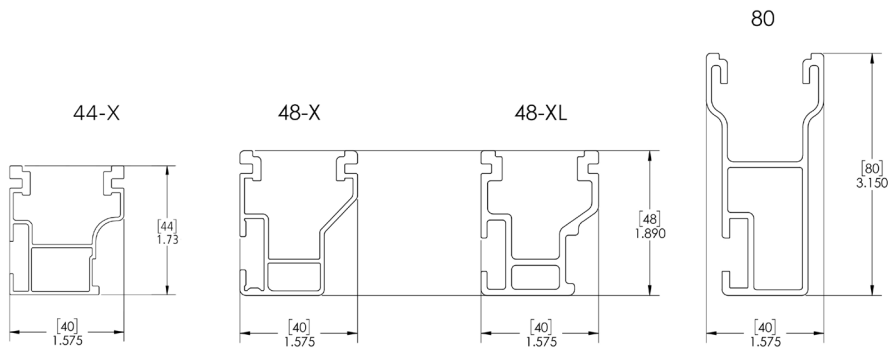




CrossRail Tilt Up System



Item No.	Description	Product No.
1	L-Foot and Hardware	4000630, 4000631
2	CrossRail 48-X (shown) or 44-X, 48-XL	multiple
3	Tilt Connector Set	4000505
4	CR 48-X, 48-XL Climber Set w/ Hole (shown) or 44-X Climber Set w/Hole	4006042-H, 4006043
5	CrossRail End Clamp, 30-50 mm	4000429, 4000430,
6	CrossRail Mid Clamp, 30-47 mm, 48-50 mm	multiple
7	Rail Connector 48-X/48-XL (shown) or Rail Connector 44-X	4000385, 4000386 4000051, 4000052
8	Everest Ground Lug	4000006-H
9	CrossRail End Cap 48-X/48XL (shown) or CrossRail End Cap 44-X	4000433, 4000067



Technical data



CrossRail Tilt Up System	
Roof Type	Composition shingle, tile, concrete
Material	Aluminum and stainless steel for high corrosion resistance
Finish	Mill, dark
Roof Connection	5/16 inch lag bolt
Flexibility	Modular construction, suitable for any system size, height adjustable
PV Modules	For all common module types
Module Orientation	Portrait and landscape
Structural Validity	IBC compliant, stamped engineering letters available for all solar states
Warranty	25 years

CrossRail Tilt Up Installation Dimensions

The CrossRail Tilt Up System is a fully customizable solution. Figure 2 and Table 1 below provide recommended installation dimensions based upon a standard 60-cell and 72-cell PV module with 1/6 - point clamping locations. Always ensure that the dimensions are suitable for the project site.

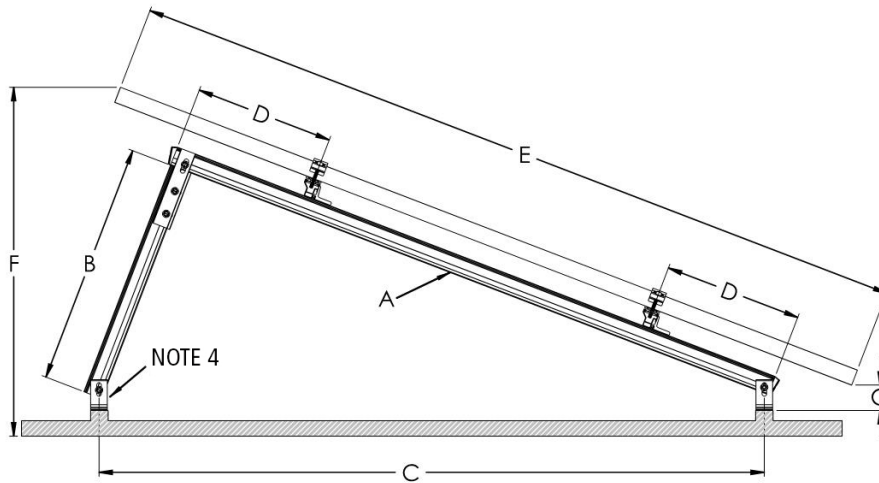


Figure 2: CrossRail Tilt Up Leg Dimensions

Dimension	Description	Desired Tilt Angle								
		15 Degrees			10 Degrees			7 Degrees		
		Portrait		Landscape	Portrait		Landscape	Portrait		Landscape
		60-Cell	72-Cell	60 & 72	60-Cell	72-Cell	60 & 72	60-Cell	72-Cell	60 & 72
A	Front Leg	54.5	62	39	54.5	62	39	54.5	62	39
B	Rear Leg	15	16.5	10	9.5	11	6.75	6.5	7.5	4.75
C	L-Foot Spacing	54	64	40	53	63	39.5	52.5	62.5	39
D	Rail Offset	5	5	5	5	5	5	5	5	5
E	Module Length	65	79	39.5	65	79	39.5	65	79	39.5
F	Rear Module Height	22	25	10	17	18	7	14	15	5

Table 1: CrossRail Tilt Up installation dimensions

Note: All dimensions are in inches

*Note: / degree tilted systems in landscape require specific configurations.

Important Notes:

1. Rail Offset not to exceed 8 inches.
2. Rear module height not to exceed 30 inches, Note that dimension provided in Table 1 does not roof attachment height.
3. Front module height dimension does not include roof attachment height.
4. Refer to CrossRail Tilt Up Engineering Letter[s] for reaction loads at L-Feet.
5. Always refer to chosen PV module manufacturer's installation instructions for approved clamping locations. Dimensions in Table 1 assume a standard 60-cell or 72-cell module with clamping locations at the 1/6-points on the module's long edge.
6. Installer is responsible for cutting rail to lengths specified "A" and "B" in Table 1.
7. Dimensions provided in Table 1 are suggested values. Installer shall verify dimensions are appropriate for the individual site conditions, selected PV module and roof surface.
8. Adjust based on your installation needs.