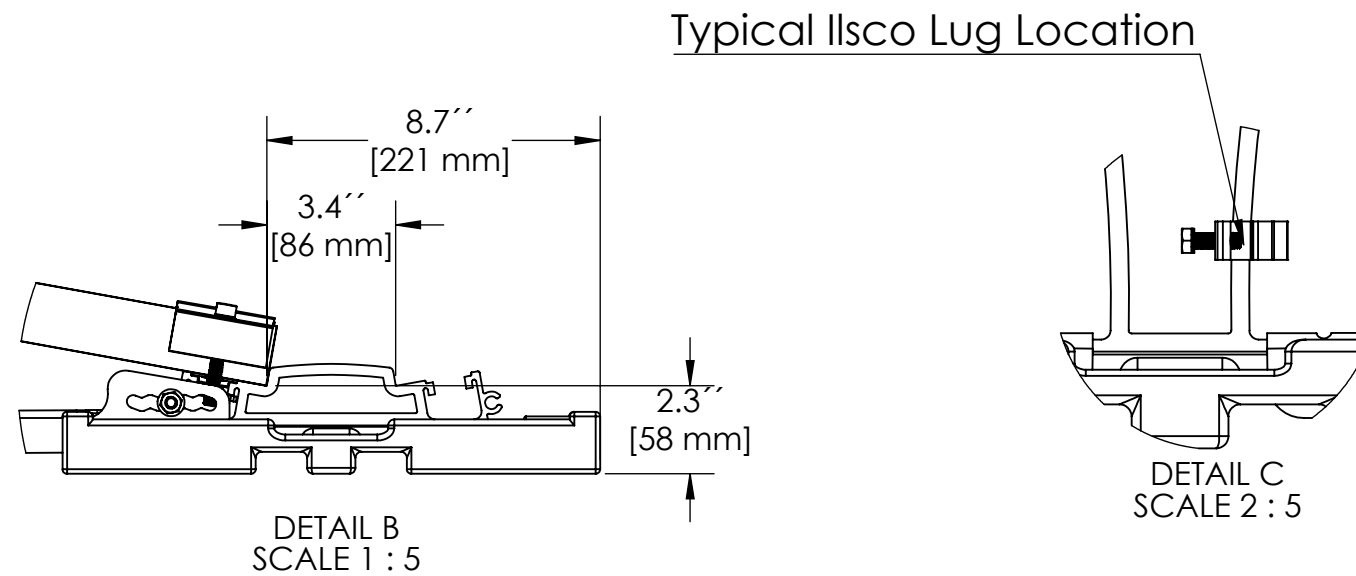
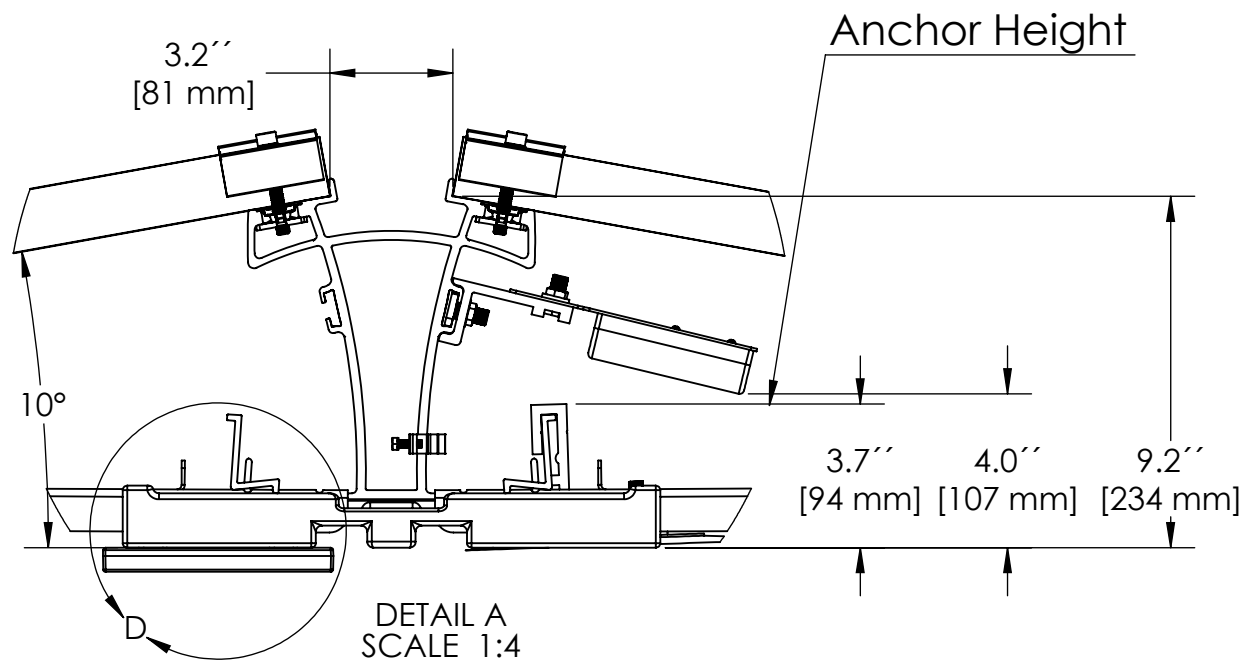
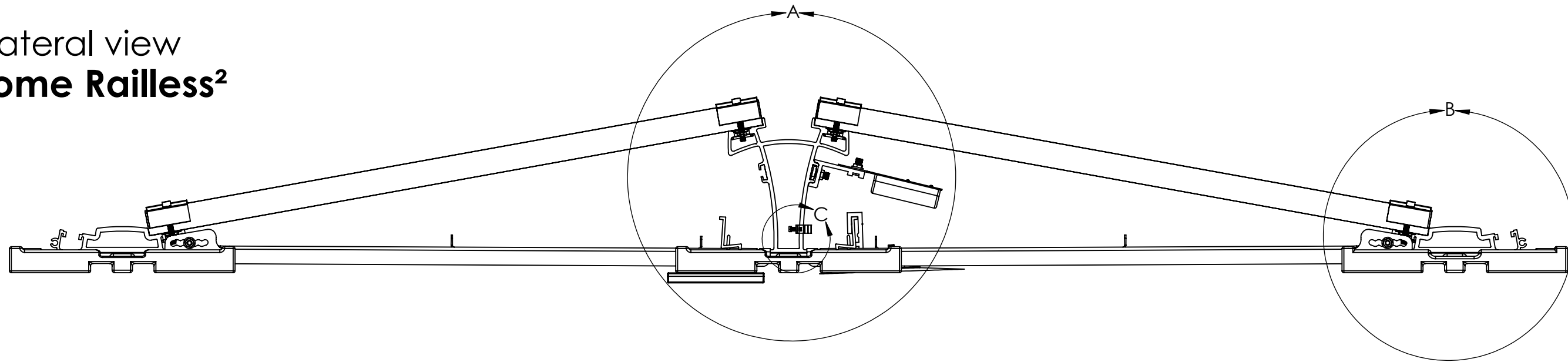
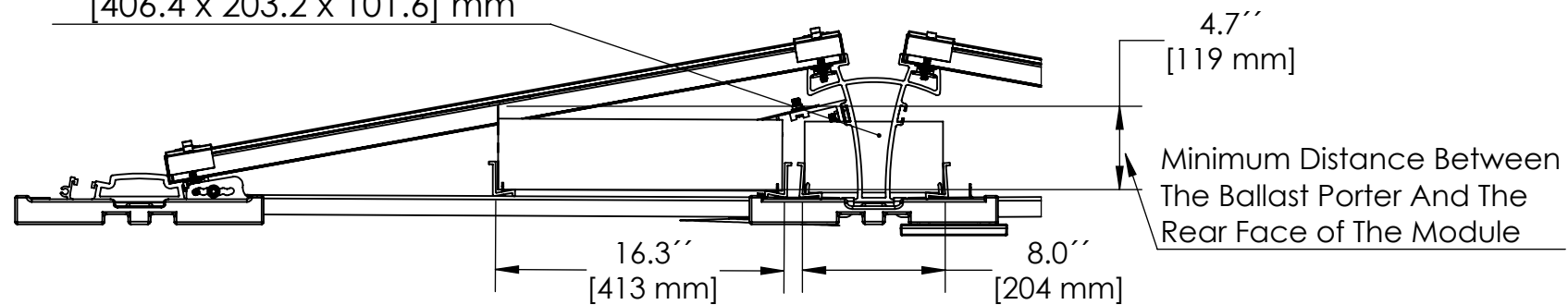
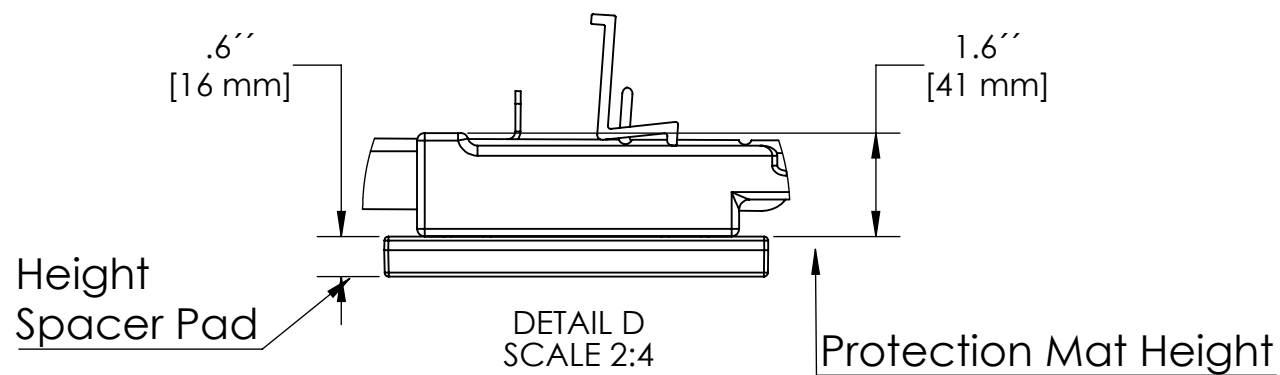


Lateral view D Dome Railless²



Max Ballast Block Dimensions
16" x 8" x 4"
[406.4 x 203.2 x 101.6] mm



Everest Solar Systems, LLC
a division of K2 Systems International
2835 La Mirada Drive, Suite A
Vista CA 92081, USA.

Tel.: +1 760.301.5300

Title:

D Dome Railless²

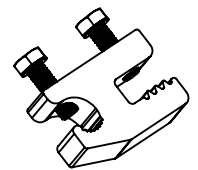
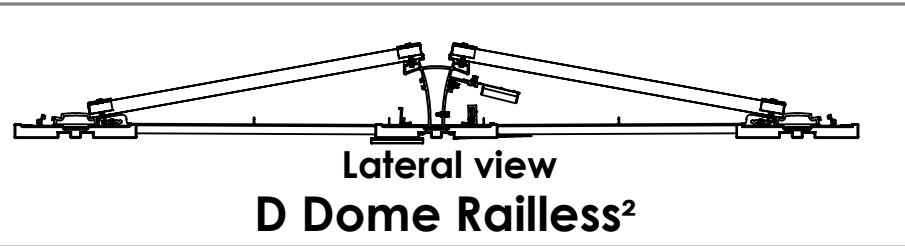


Product description:

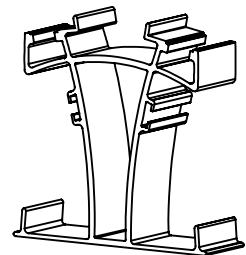
Rails: Railless
Roof Types: Flat
Module orientation: Landscape
Attachments types: Varies

Max. allowed tilt: 10° fixed
Maxi. roof tilt: 0° - 5°
Dimensions are in inches
Material: 6000 Series Aluminium

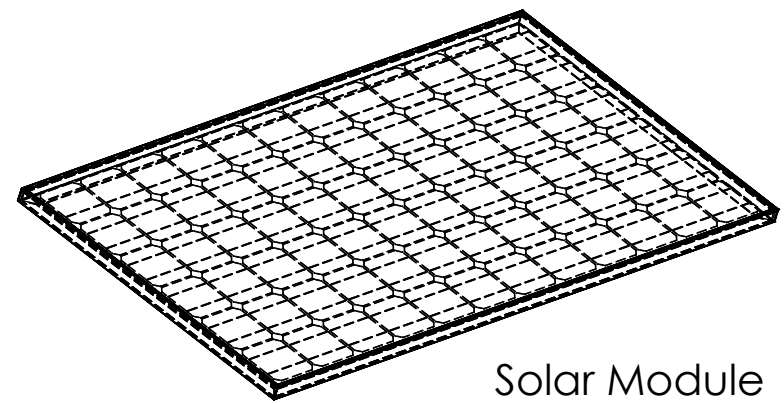
Notes:



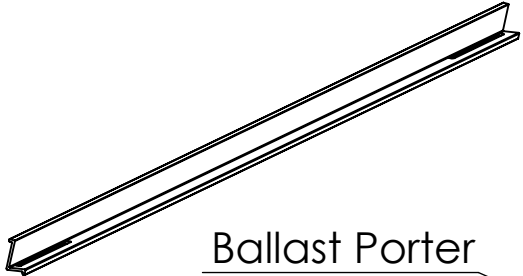
Isco Lug



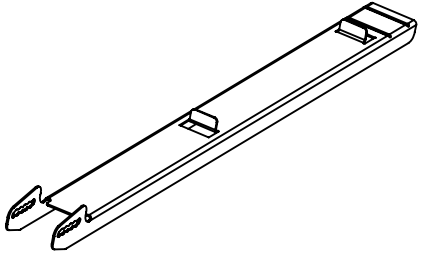
Dome Peak R²



Solar Module



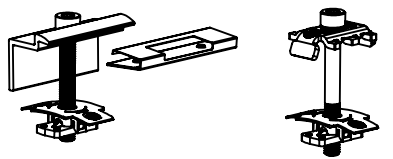
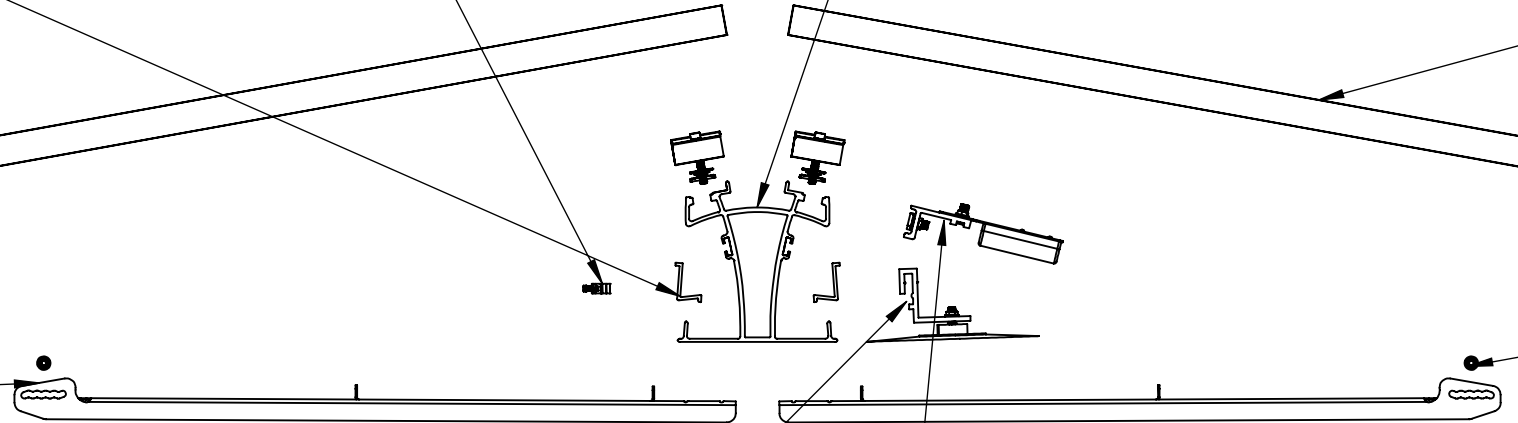
Ballast Porter



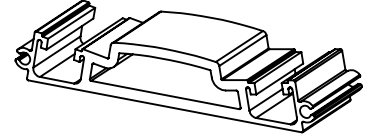
Dome R² Corner Strut



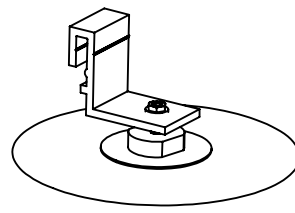
Socket Cap Screw



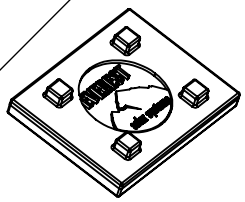
CrossRail EC + WEEB BMC
And Bonding Mid Clamp



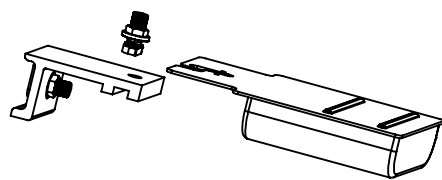
Dome Base R²



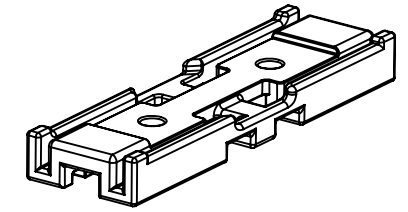
Anchor Bracket + OMG PowerGrip Plus Assembly



Roof Spacer Mat R²



Optimizer Mounting Bracket
And The Optimizer/Microinverter



Dome R² Roof Protection Mat

Everest Solar Systems, LLC
a division of K2 Systems International
2835 La Mirada Drive, Suite A
Vista CA 92081, USA.
Tel.: +1 760.301.5300

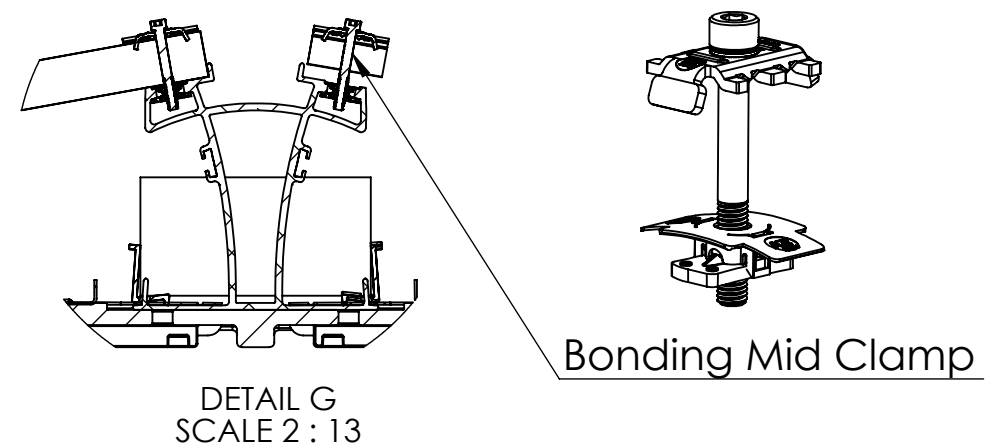
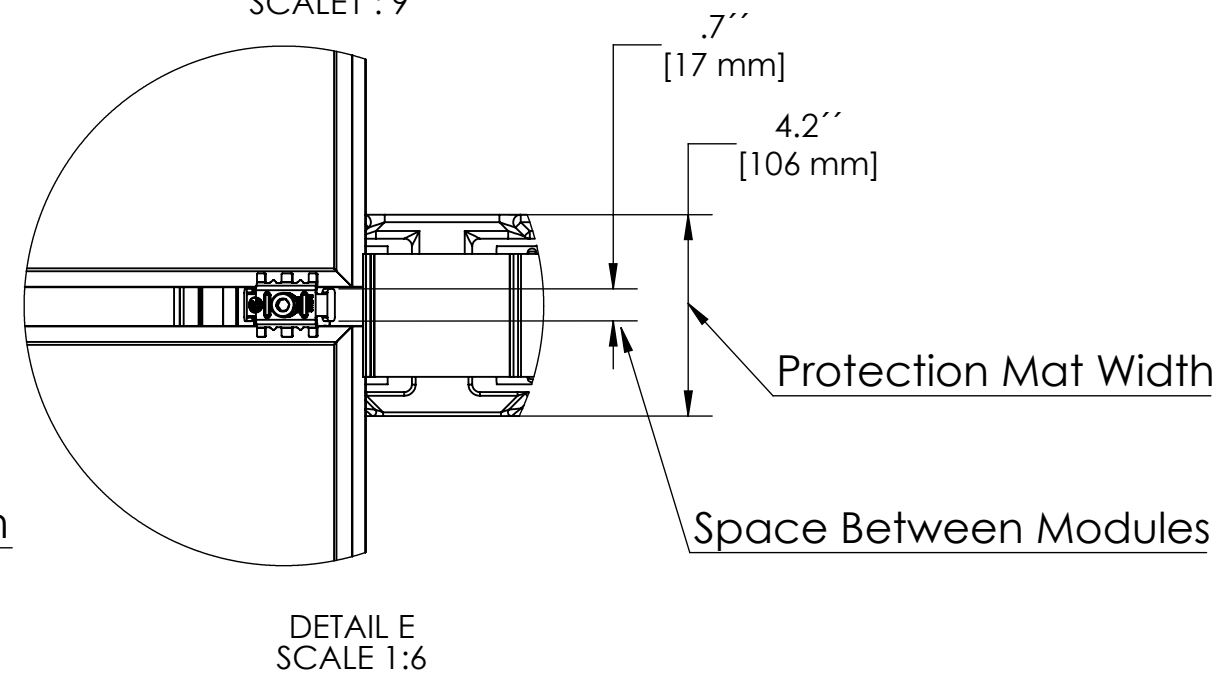
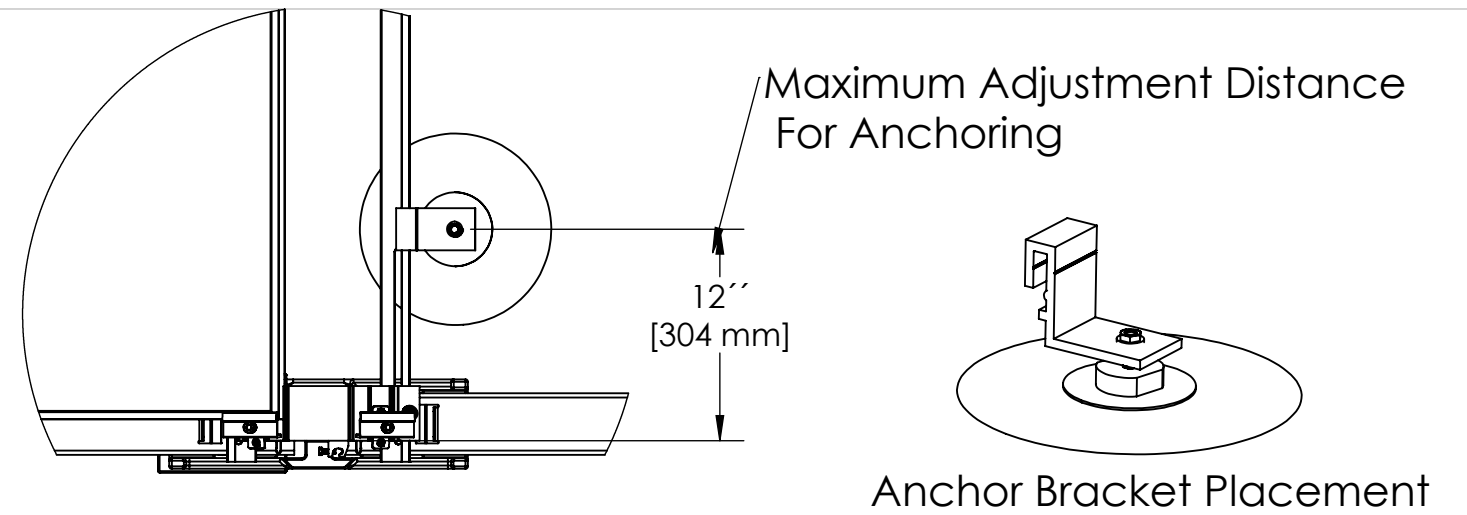
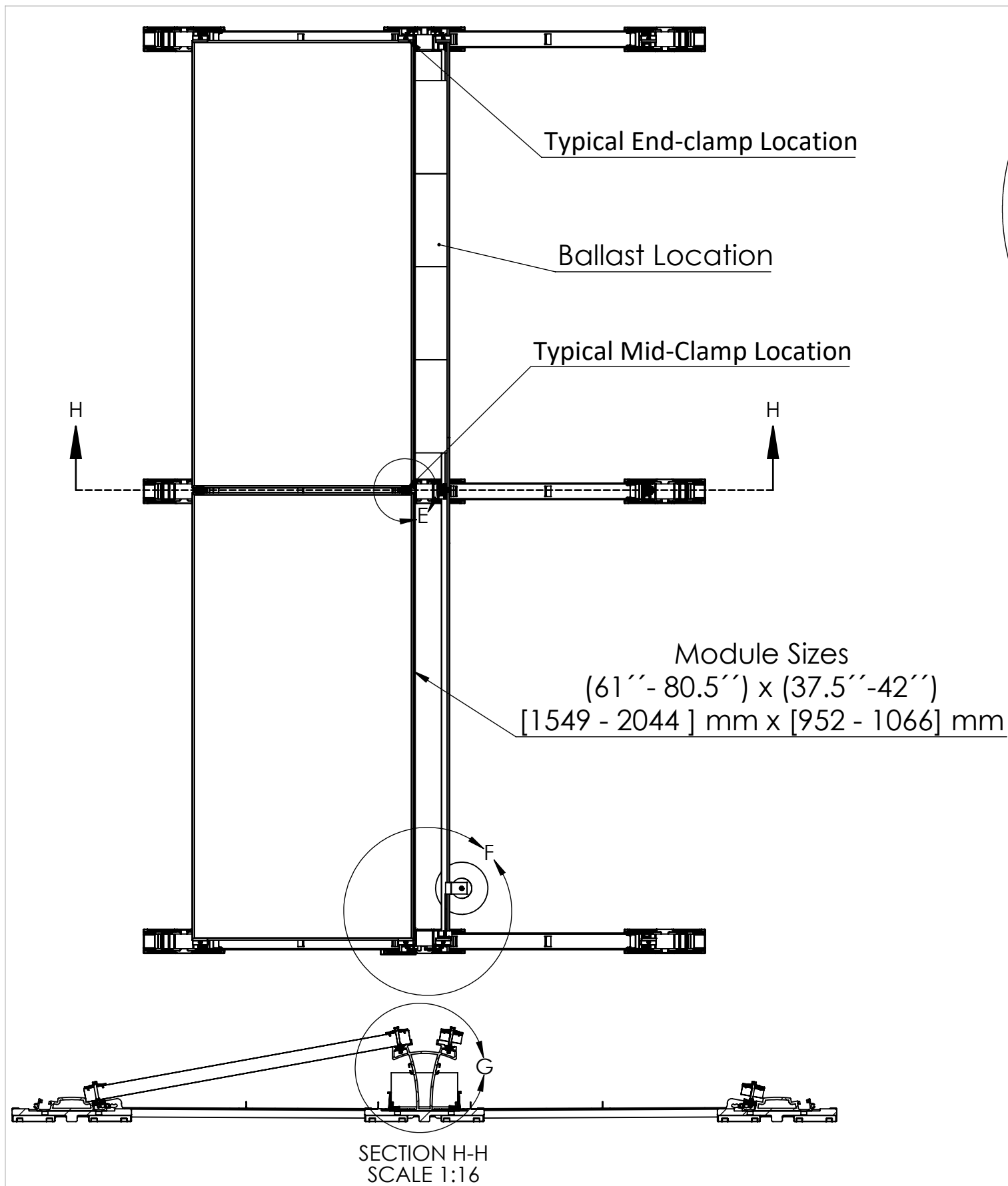
Title:

D Dome Railless²

Product description:	
Rails: Railless	Max. allowed tilt: 10° fixed
Roof Types: Flat	Maxi. roof tilt: 0° - 5°
Module orientation: Landscape	Dimensions are in inches
Attachments types: Varies	Material: 6000 Series Aluminium

Notes:

This drawing is the sole property of Everest Solar Systems. It is protected by copyright and may only be copied, reproduced or distributed to a third party with explicit permission!



Everest Solar Systems, LLC
a division of K2 Systems International
2835 La Mirada Drive, Suite A
Vista CA 92081, USA.
Tel.: +1 760.301.5300

Title:

D Dome Railless²



Product description:

Rails: Railless
Roof Types: Flat
Module orientation: Landscape
Attachments types: Varies

Max. allowed tilt: 10° Fixed
Maxi. roof tilt: 0° - 5°
Dimensions are in inches
Material: 6000 Series Aluminium

Notes: