

QUICK GUIDE

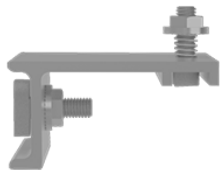
D Dome R² Optimizer Kit



Dome R² Peak

| 4000592

Material: Aluminum



Dome R² Optimizer Mounting Bracket Kit

| 4000646

Material: Aluminum
Hardware: Stainless steel

TOOLS REQUIRED



10-50 ft-lb



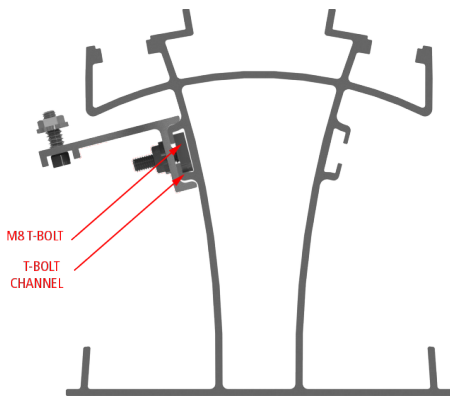
13 mm socket
▶ Torque 10-15 ft-lbs



1/2" socket
▶ Torque 10-15 ft-lbs

Assembly

1 ATTACH BRACKET ONTO PEAK

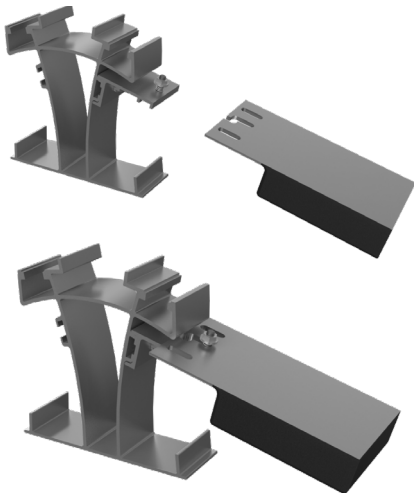


Slide the T-Bolt on mounting bracket assembly through T-Bolt channel on the Dome Peak piece, until the side of the bracket is flush with the side of the peak.

Torque: 10 - 15 ft-lbs

Materials Required: Dome R² Peak, Dome R² Optimizer Mounting Bracket Kit, 13 mm socket or 1/2" socket.

2 ATTACH OPTIMIZER ONTO BRACKET

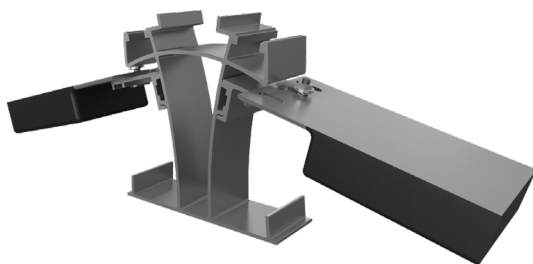


Slide the slot on flange of micro-inverter or optimizer onto M8 T-Bolt.

Torque: 10 - 15 ft-lbs

Materials Required: Dome R² Optimizer Mounting Bracket Kit, Micro-Inverter or Optimizer, 13 mm or 1/2" socket.

3 DOUBLE MOUNTING



Repeat steps 1-2 on opposite side of Dome Peak for additional micro-inverter or optimizers.