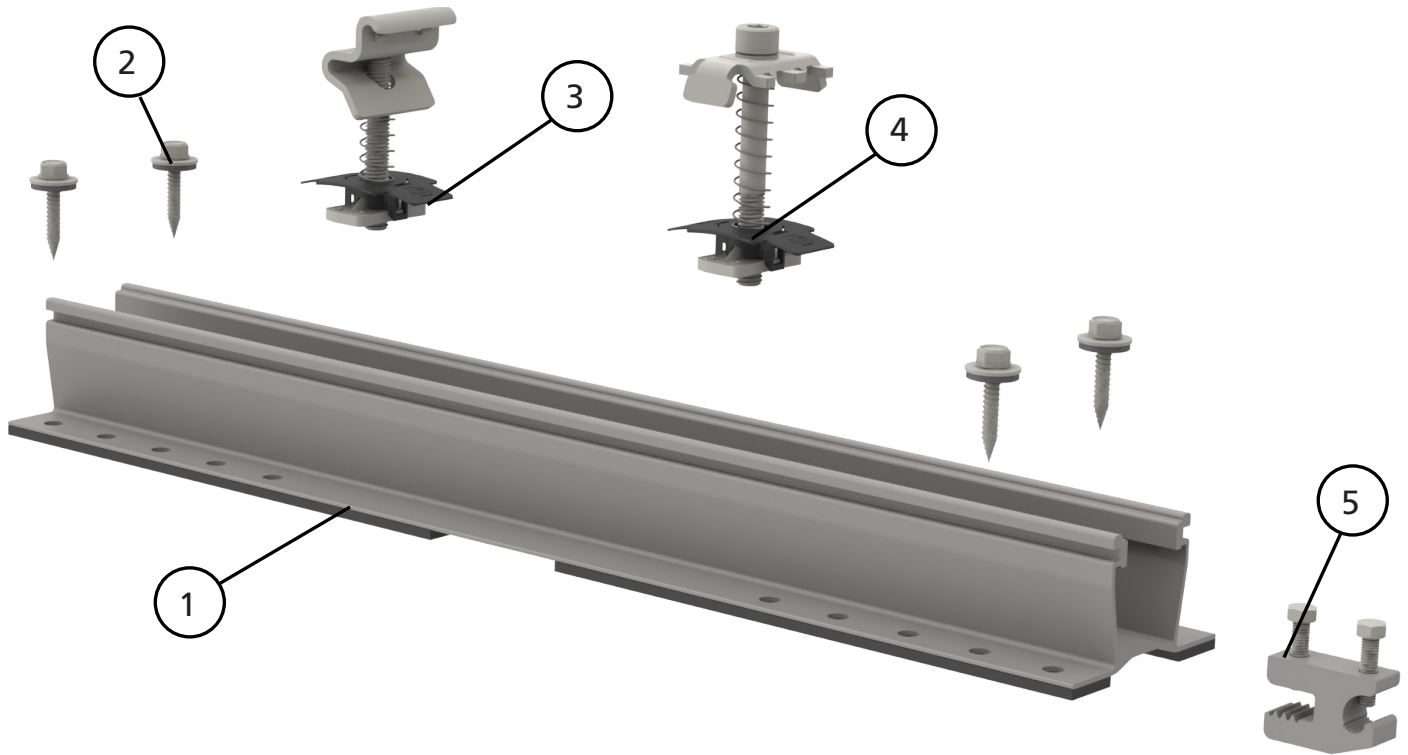
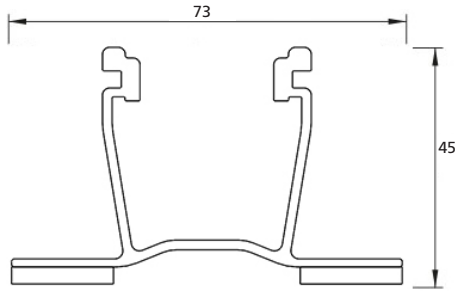


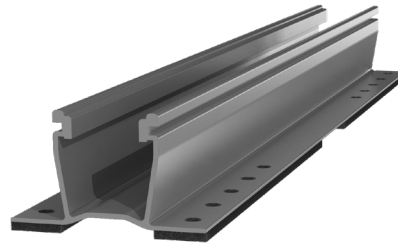


MiniRail XPress System



Item No.	Description	Product No.
1	MiniRail XPress Base 17in w/EPDM, Mill	4000667
2	JF3 Self-Tapping MiniRail Screw, 6x32mm	4000672
3	Mid Clamp Set	4000601, 4000602
4	End Clamp Set	4000429, 4000430
5	ILSCO Lug	4000960

MiniRail XPress



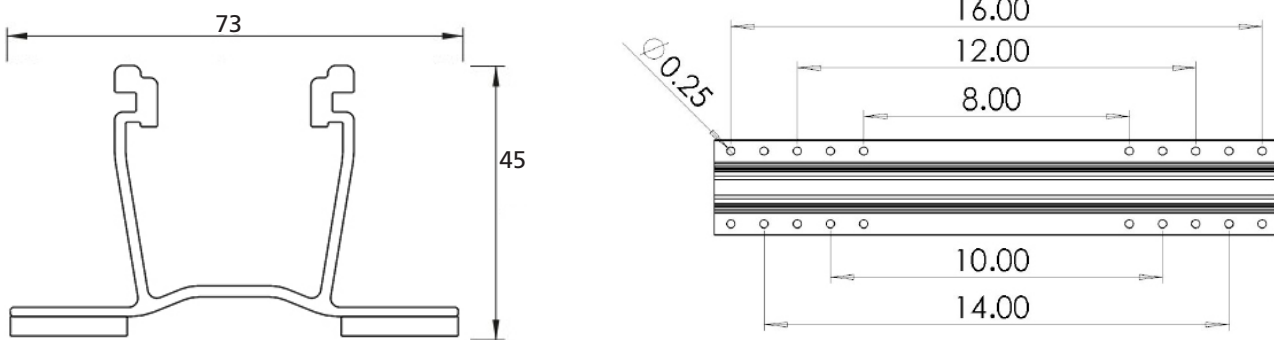
Mechanical Properties

MiniRail XPress	
Material	6000 Series Aluminum
Ultimate Tensile Strength	37.7 ksi (260 MPa)
Yield Strength	34.8 ksi (240 MPa)
Weight	0.84 lbs/pc (0.378 kg/pc)
Finish	Mill

Section Properties

MiniRail XPress	
Sx	0.183 in ³ (2.9988 cm ³)
Sy	0.176 in ³ (2.8841 cm ³)
A (X-Section)	0.507in ² (3.2709 cm ²)

General Dimensions:



Dimensions in [mm] Inches

Notes:

- ▶ Structural values are determined in accordance with Aluminum Design Manual and ASCE 7-10
- ▶ UL2703 Listed System for Fire and Bonding