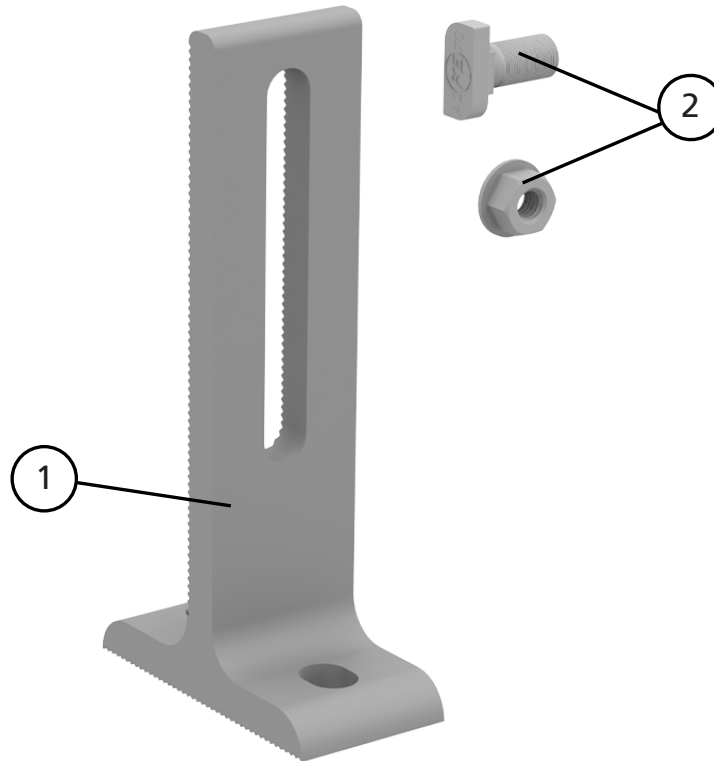




# T-Foot X



Item No.	Description	Part No.
1	T-Foot X	4000080   T-Foot X 6", Mill Set
2	T-Bolt and Serrated Hex Nut	

## Technical data

	T-Foot X
Roof Type	Rolled roof
Material	Aluminum with stainless steel hardware
Finish	Mill
Roof Connection	5/16" lag bolt
Code Compliance	UL 2703
Compatibility	CrossRail 48-X, 48-XL, 80

# Mounting systems for solar technology



Units: [mm] inches

