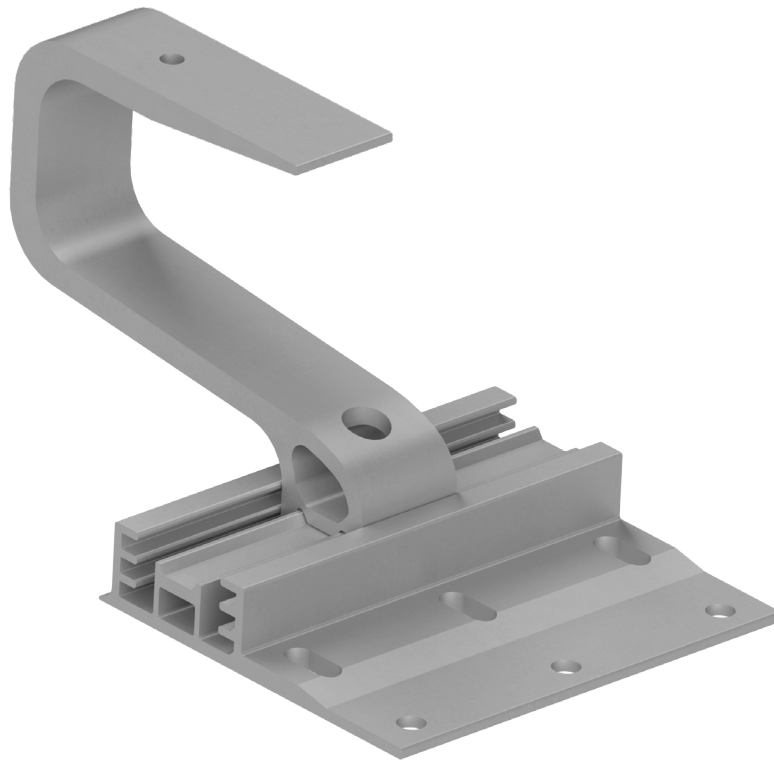




Tile Hook 3S



Part Number	Description
4001294	Tile Hook 3S Wide Base w/Hardware

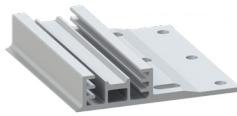
- ▶ High quality, German engineered system optimized for residential installation
- ▶ Provides 5.5 inches of East/West adjustability
- ▶ Refined geometry and minimized use of material allows larger spans between roof hooks
- ▶ 100% code-compliant
- ▶ High quality aluminum provides high corrosion resistance
- ▶ Fast installation, minimal component count resulting in low total installed cost
- ▶ Quick and inexpensive with direct lateral access to the rail without additional components, including individual height adjustment
- ▶ Secure slide-in assembly, without screwing to the base plate
- ▶ Base plate with slotted bore holes in line, compliant with standards even of narrow rafters

Components



Tile Hook 3S

- ▶ Landscape and portrait mounting with MiniClamp MC/EC



Tile Hook 3S Mounting Base

- ▶ Universal module clamp
- ▶ Clamp is rotatable

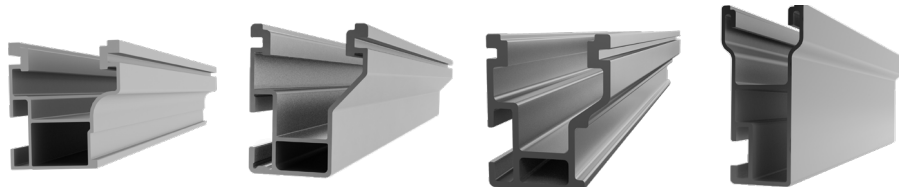


Allen Bolt

- ▶ M8 x 20 allen bolt
- ▶ Secures hook in Base

Applicable with all of our CrossRail profiles

- ▶ 44-X
- ▶ 48-X
- ▶ 48-XL
- ▶ 80



Applicable Roof Types

- ▶ Clay
- ▶ Synthetic
- ▶ Concrete