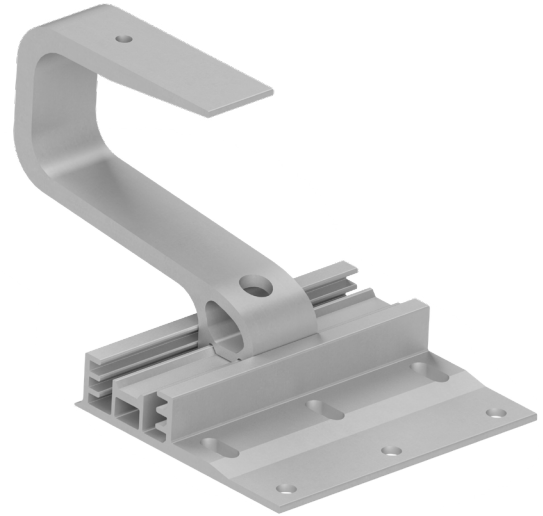




# Tile Hook 3S

## Mechanical Properties

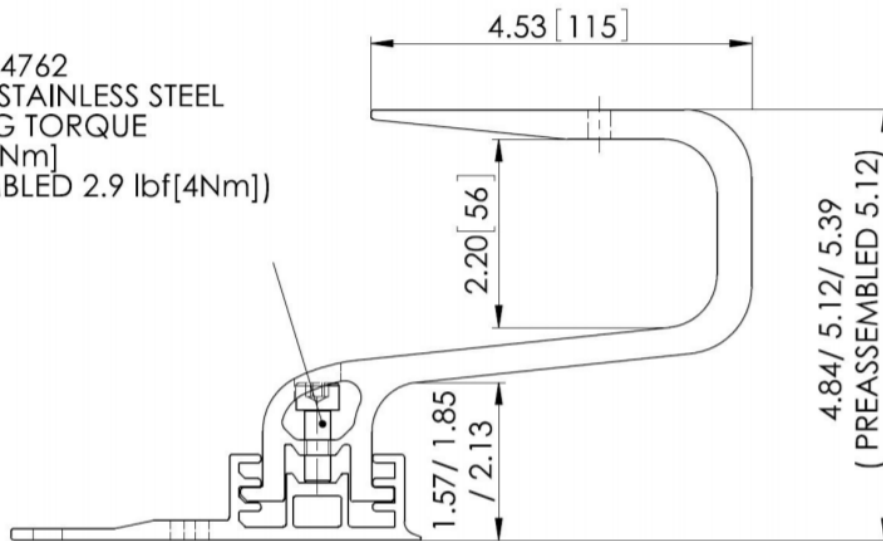
	Tile Hook 3S
Material	6000 Series Aluminum
Maximum Downforce	497 lbf
Maximum Uplift	411 lbf
Maximum Shear	217 lbf
Finish	Mill



## Dimensional Properties

	Tile Hook 3S
Height from Roof	4.84 / 5.12 / 5.39 in
Total Length	8.81 in
Width	5.5 in

M8x22 ISO 4762  
 300 SERIES STAINLESS STEEL  
 TIGHTENING TORQUE  
 11.8 lbf [16Nm]  
 (PREASSEMBLED 2.9 lbf [4Nm])



Dimensions in [mm] Inches

### Notes:

- ▶ Structural values and span charts determined in accordance with Aluminum Design Manual and ASCE 7-10