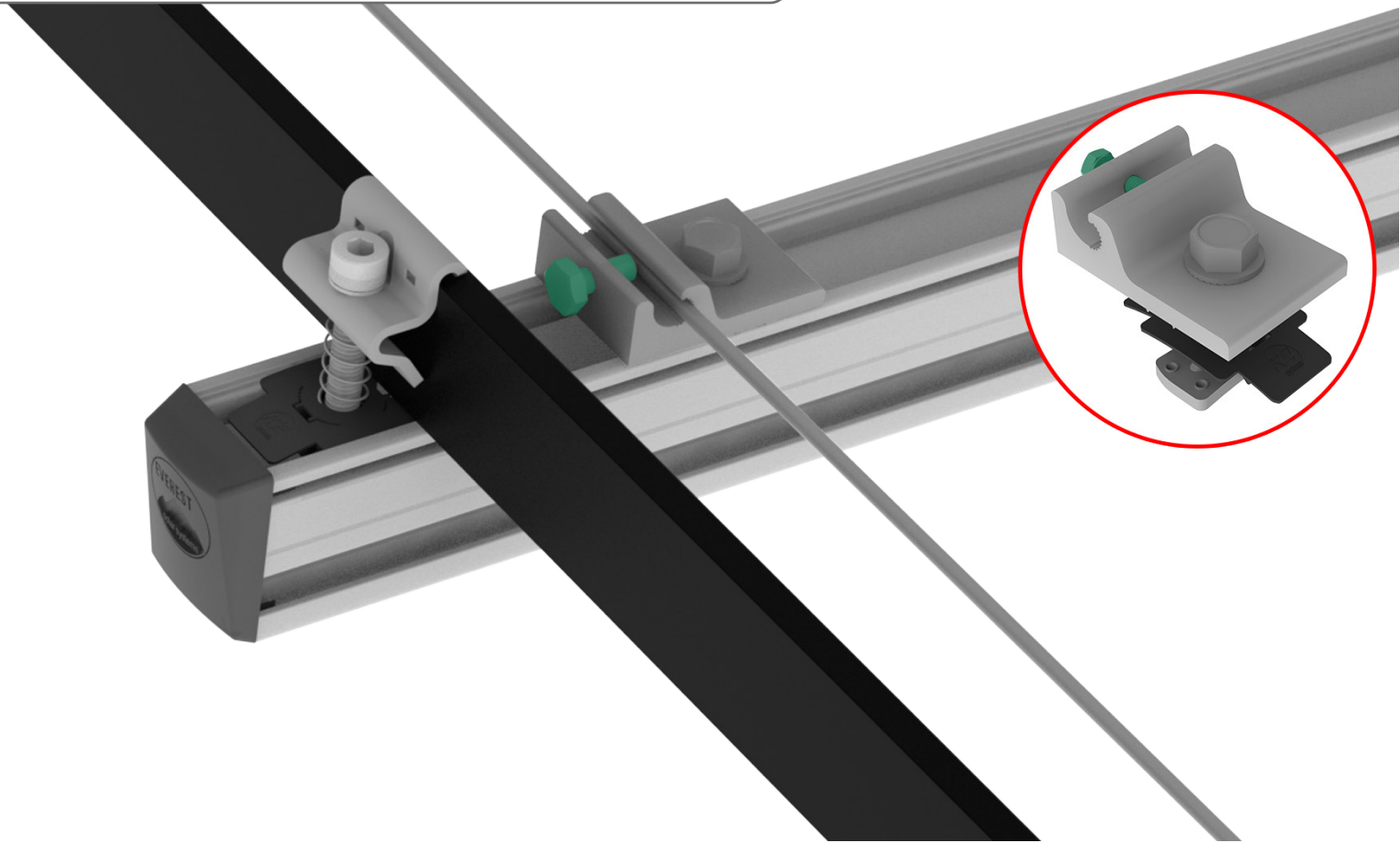




# Everest Ground Lug



Part Number	Description
4000006-H	Everest Ground Lug, Set, 13 mm Hex

- ▶ Updated design to top mount configuration
- ▶ No copper wire bending needed; makes for a simple installation
- ▶ MK3 slot nut allows for highest rail engagement surface area
- ▶ Cost 30% less than our previous design
- ▶ UL 2703 listed
- ▶ Compatible with 8AWG and 6AWG solid copper wire
- ▶ Single tool installation