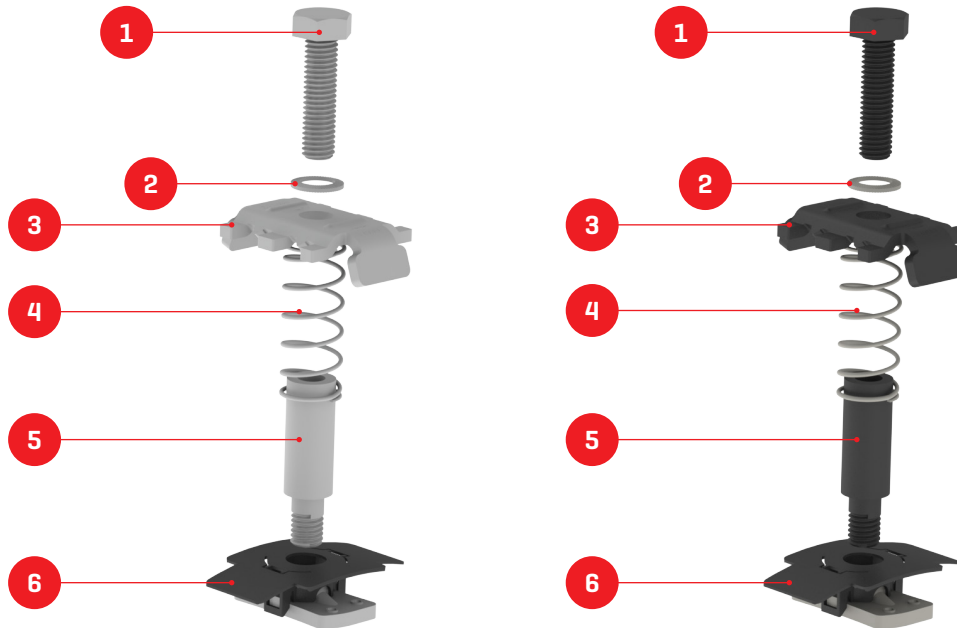


We support PV systems  
Formerly Everest Solar Systems



# CrossRail Mid Clamp

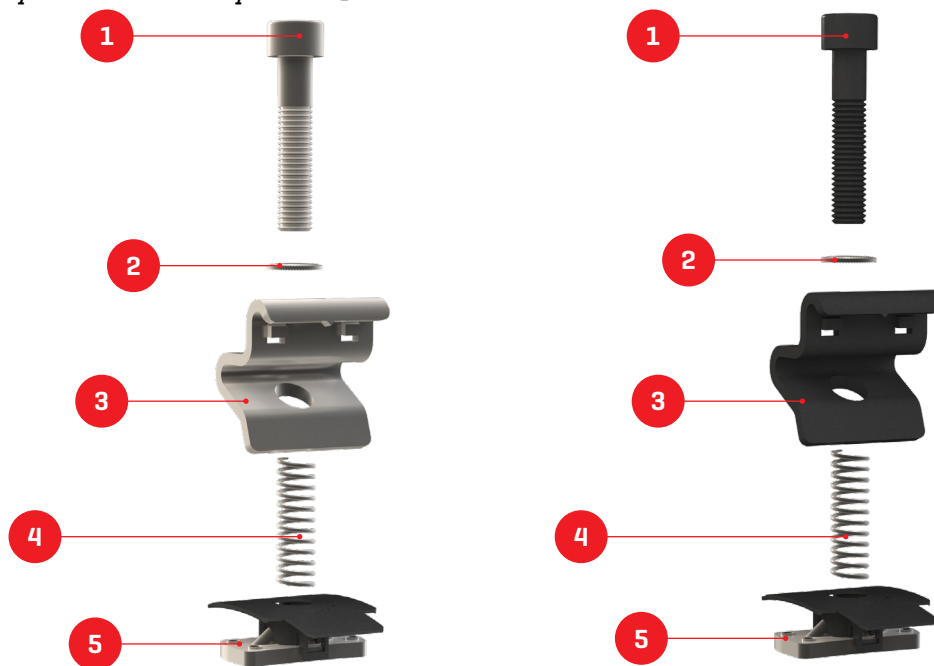
## TECHNICAL SHEET

Item Number	Description	Part Number
1	M8 Serrated Flange Hex Head Bolt, 13mm	4000601-H   CR MC Silver 30-47mm, 13mm Hex 4000602-H   CR MC Dark 30-47mm, 13mm Hex
2	Lock Washer	
3	Mid Clamp Top	
4	Clamp Spring, 65mm length	
5	Mid Clamp Standoff	
6	MK3 Slot Nut	

### Technical Data

CrossRail Mid Clamp	
Compatible module frame size	30-47mm
Material	Stainless steel
Finish	Mill or dark anodized
Compatibility	CrossRail 44-X, 48-X, 48-XL, 80, MiniRail, D-Dome R <sup>2</sup>

We support PV systems  
Formerly Everest Solar Systems



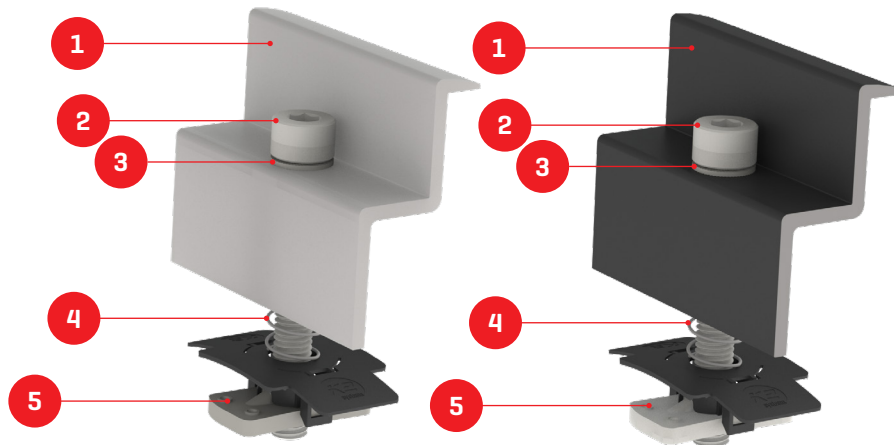
# CrossRail End Clamp

## TECHNICAL SHEET

Item Number	Description	Part Number
1	Allen Bolt	4000429   CR EC Silver 30-50mm, Shared RL 30-45mm 4000430   CR EC Dark 30-50mm, Shared RL 30-45mm
2	Lock Washer	4000098   CR EC Silver 40-50mm, Shared RL 30-50mm 4000099   CR EC Dark 40-50mm, Shared RL 30-50mm
3	End Clamp	
4	Clamp Spring	
5	MK3 Slot Nut	

### Technical Data

CrossRail End Clamp	
Scope of application	Used with all of our CrossRail based systems
Fastening type / Roof fixture	Clamp
Module orientation	Portrait or landscape
Compatible module frame size	30-50mm
Material	Stainless steel



# Aluminum End Clamp

## TECHNICAL SHEET

Item Number	Description	Part Number
1	End Clamp	4005169   CrossRail EC Silver, AL 34-36mm
2	Allen Bolt	4005170   CrossRail EC Silver, AL 39-41mm 4005171   CrossRail EC Silver, AL 45-47mm 4005172   CrossRail EC Silver, AL 49-50mm
3	Lock Washer	4005269   CrossRail EC Dark, AL 39-41mm 4005270   CrossRail EC Dark, AL 45-47mm 4005271   CrossRail EC Dark, AL 49-50mm
4	Spring	4005290   CrossRail EC Silver, AL 37-38mm 4005291   CrossRail EC Silver, AL 42-44mm 4005292   CrossRail EC Silver, AL 48mm 4005293   CrossRail EC Dark, AL 37-38mm 4005295   CrossRail EC Dark, AL 42-44mm 4005296   CrossRail EC Dark, AL 48mm
5	MK3 Slot Nut	4005344   CrossRail EC Silver, AL 32-33mm 4005346   CrossRail EC Dark, AL 32-33mm 4005347   CrossRail EC Dark, AL 30-31mm

### Technical Data

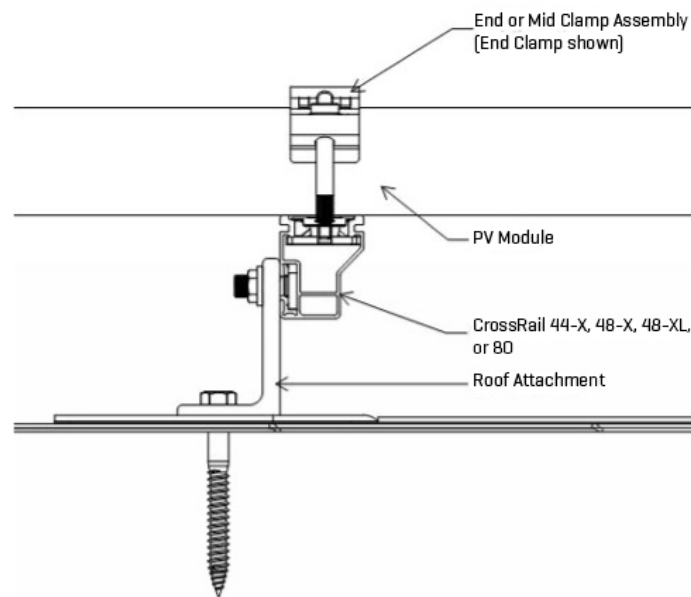
Aluminum End Clamp	
Scope of application	D-Dome R2, MiniRail, CrossRail Systems excluding Shared Rail
Fastening type / Roof fixture	Clamp
Module orientation	Portrait or Landscape
Compatible module frame size	30-50mm [Assembly Dependant]
Material	Aluminum

# Allowable Loading on Top-Down Mid and End Clamps

## Clamp Assemblies

K2 module clamps are composed of three main structural parts:

- ▶ MK3 or MK2 Slot Nut
- ▶ M8 Bolt
- ▶ Stainless Steel Mid or End Clamp Components [Aluminum End Clamp Options Available]



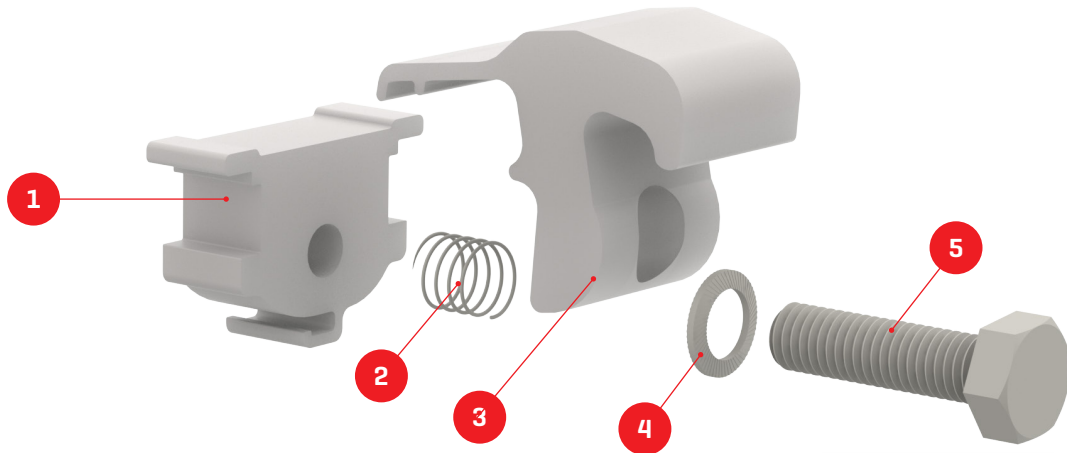
## Testing Methodology

Clamp assemblies were mechanically tested for pullout forces using a universal testing machine. The clamps were installed in a CrossRail channel in a similar assembly shown in the image above and torqued down to their appropriate torque specifications, which can be found in our assembly guides located at [www.k2-systems.com](http://www.k2-systems.com).

With factors of safety considered, the allowable uplift loads for each clamp are as follows:

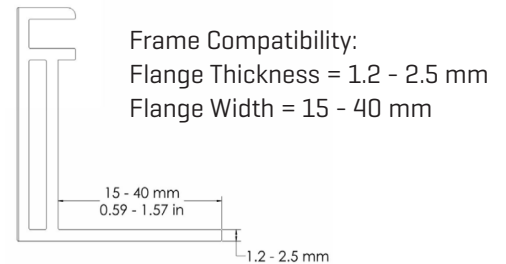
- |                            |   |         |
|----------------------------|---|---------|
| ▶ CrossRail MC, SS UL2703+ | - | 900 lbs |
| ▶ End Clamp UL 2703, SS    | - | 355 lbs |
| ▶ End Clamp [Aluminum]     | - | 635 lbs |

If you have any questions, please contact our technical hotline at **+1 (760) 301-5300**.



# Yeti Clamp

## TECHNICAL SHEET



Item Number	Description	Part Number
1	Yeti Clamp Base	4000050-H   Yeti Hidden EC for CR
2	Clamp Spring, 20mm	
3	Yeti Clamp Top	
4	Lock Washer	
5	13mm Hex Bolt	

### Technical Data

Yeti Clamp	
Field of application	Applicable with all CrossRail systems excluding Ground Mount
Fastening type	End clamp [Not compatible with single module installations]
Material	Aluminum with stainless steel hardware
Weight	0.15 lbs
Maximum allowable uplift force	CR 44-X: 220 lbs CR 48-X and 48-XL: 300 lbs CR 80: 275 lbs
Maximum allowable snow load	70 psf ground snow load
Finish	Mill