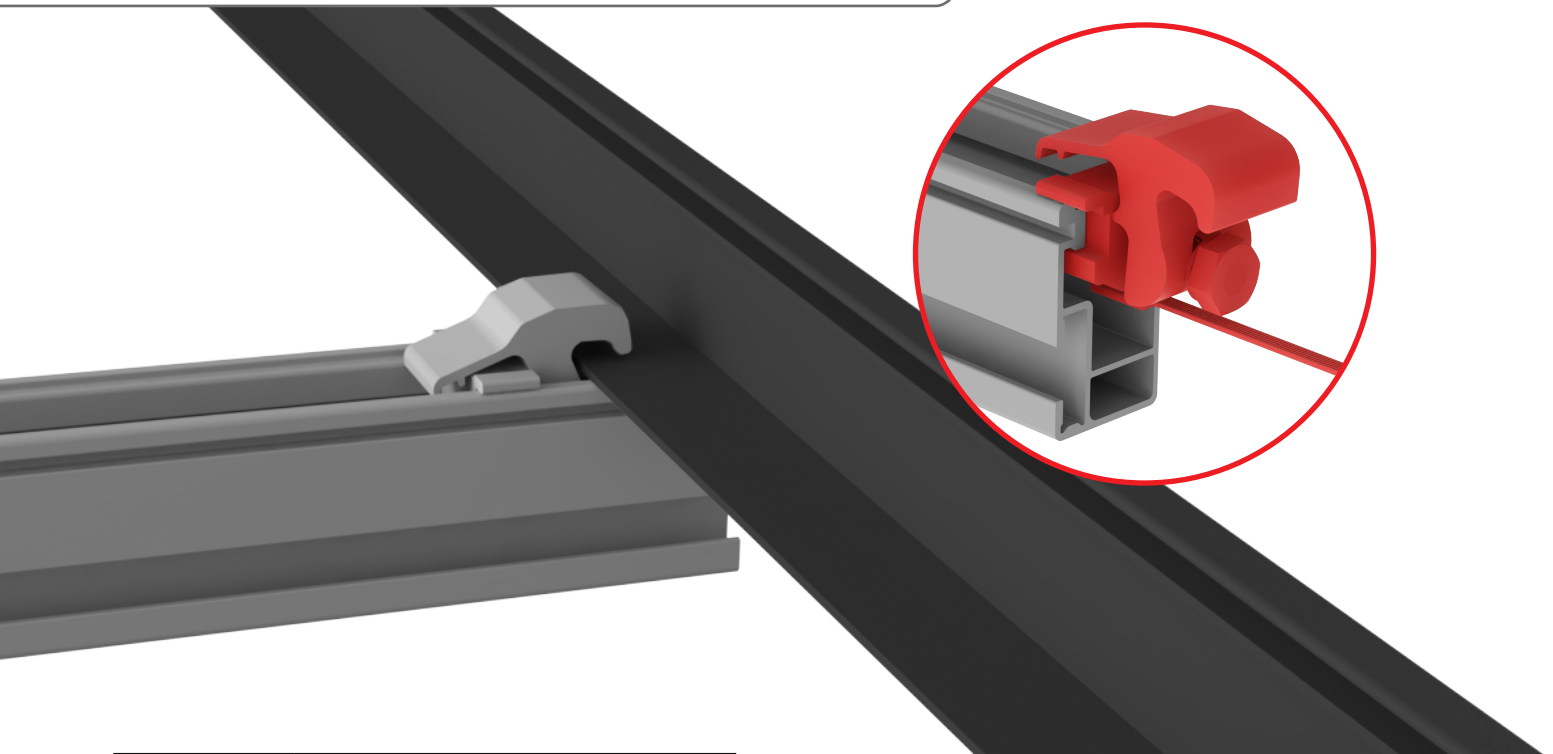




# Yeti Clamp



Part Number	Description
4000050-H	Yeti Hidden EC for CR, 13 mm Hex

- ▶ Enhanced aesthetics
- ▶ Hides rails while properly securing modules
- ▶ Simple installation
- ▶ No special tools or awkward installation
- ▶ Allows you to cut rails flush, improving rail power density

