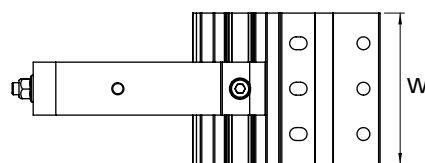
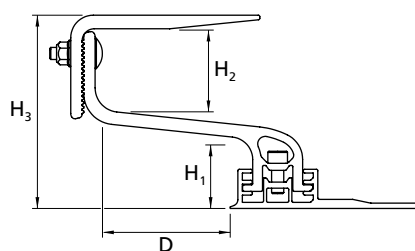


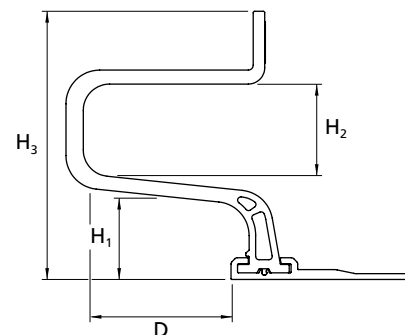
CrossHooks and SingleHooks for SingleRail

Type / image	Material	Base plate width [W]	Height under bracket [H ₁] Bracket height [H ₂] Total height [H ₃]	Bracket depth [D]	Item no.
	Aluminium	100 mm	<ul style="list-style-type: none"> ▸ 40/47/54 mm ▸ 56 mm ▸ approx. 123/130/137 mm 	83 mm	2001672/ 2002390
	Aluminium	100 mm	<ul style="list-style-type: none"> ▸ 40/47/54 mm ▸ 55 - 85 mm ▸ 120.5 - 165 mm 	83 mm	2001821/ 2002402
	Aluminium	100 mm	<ul style="list-style-type: none"> ▸ 47.1 mm ▸ 56 mm ▸ 162.9 mm 	83 mm	2001928
	Aluminium	2100 mm	<ul style="list-style-type: none"> ▸ 40/47/54 mm ▸ 56/55 - 85 mm ▸ approx. 123/130/137/ 120.5 - 165 mm 	83 mm	2001972
	Aluminium	100 mm	<ul style="list-style-type: none"> ▸ 40/47/54 mm ▸ No spacing ▸ 89.2 mm 	-	2000636
	Aluminium	150 mm	<ul style="list-style-type: none"> ▸ 44 mm ▸ 46 mm ▸ 100 mm 	116 mm	1004900
	Stainless steel	30 mm	<ul style="list-style-type: none"> ▸ 16 mm ▸ 68 mm ▸ 141 mm 	120 mm	2002568
	Stainless steel	100 mm	<ul style="list-style-type: none"> ▸ 45 - 65 mm ▸ 68 mm ▸ 172 - 192 mm 	110 mm	2002651

Dimension drawing for CrossHook




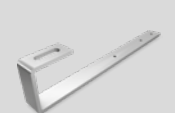


Dimension drawing for SingleHook



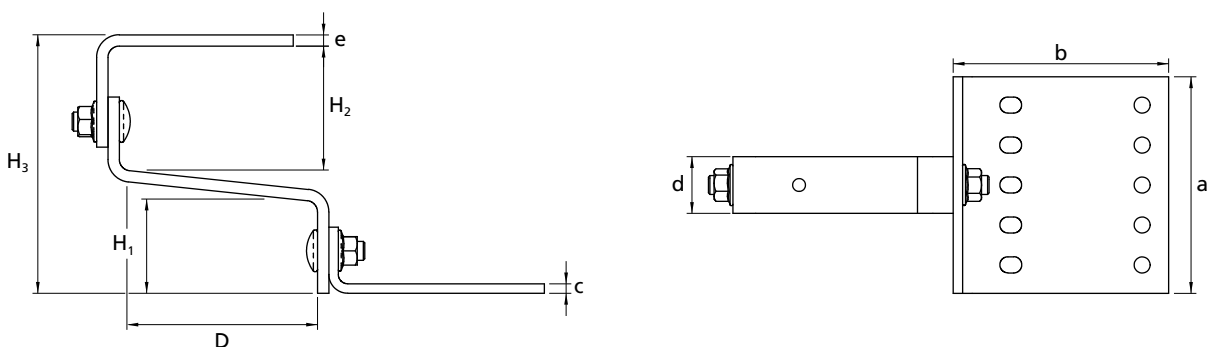
* Suitable exclusively for SingleRail

SolidHooks for SolidRail

Type /Figure	Base plate [a x b x c]	Bracket [d x e]	Bracket [H ₁]/[H ₂]	Total height approx. [H ₃]	Bracket depth [D]	Item no.
Pantiles  	150 x 60 x 5 mm	30 x 6 mm	47/65 mm	134 mm	98 mm	1000001
	180 x 80 x 4 mm	35 x 6 mm	38/69 mm	124 mm	91 mm	1000096
	180 x 80 x 4 mm	35 x 6 mm	38/89 mm	150 mm	91 mm	1000653
	180 x 80 x 5 mm	40 x 8 mm	47/55 mm	121 mm	87 mm	1000764
Vario 1  	150 x 60 x 5 mm	30 x 6 mm	43/41 - 71 mm	112-145 mm	95 mm	1000125
Vario 2  	140 x 55 x 5 mm	30 x 6 mm	49 - 57/41 - 69 mm	108-137 mm	94 mm	1000107
Plain tile  	40 x 50 mm	40 x 6 mm	33/62 mm	122 mm	189 mm	1000214
Plain tile, double roofing  	75 x 52 x 4 mm	75 x 4 mm	34/62 mm	119 mm	234 mm	2003073
Slate roofing  	40 x 250 mm	40 x 65 mm	-/60 mm	72 mm	72 mm	1000373
Coppo  	150 x 60 x 5 mm	30 x 5 mm	18/88 - 118 mm	123-153 mm	120 mm	1001068

All roof hooks made of stainless steel.

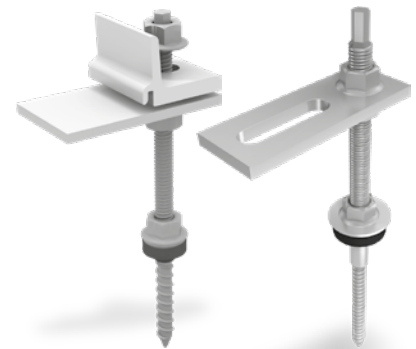
Dimension drawing



Hanger bolts

For timber substructures

For fastening the K2 SolidRail, SingleRail and CrossRail mounting rails on roofs with corrugated fibre cement or sheet metal on timber substructures. The K2 hanger bolts are equipped with an extra-long metric thread for installation height adjustment. Hanger bolts are outfitted with a pre-mounted adapter plate.



CrossRail / SingleRail Hanger Bolts

Type	Item number
M10×180, hexagonal SW 7 mm	1006166
M10×200, hexagonal SW 7 mm	1006167
M10×250, hexagonal SW 7 mm	1006168
M12×200, hexagonal SW 9 mm	1006169
M12×250, hexagonal SW 9 mm	1006170
M12×300, hexagonal SW 9 mm	1006171
M12×350, hexagonal SW 9 mm	1006172
M12×400, hexagonal SW 9 mm	1006173

SolidRail Hanger Bolt

Type	Item number
M10×180, hexagonal SW 7 mm	2000120
M10×200, hexagonal SW 7 mm	2000121
M10×250, hexagonal SW 7 mm	2000122
M12×200, hexagonal SW 9 mm	2000123
M12×250, hexagonal SW 9 mm	2000124
M12×300, hexagonal SW 9 mm	2000125
M12×350, hexagonal SW 9 mm	2000126
M12×400, hexagonal SW 9 mm	2000127

Solar fastener

For steel, timber and concrete substructures

Solar fasteners (stainless steel) for attaching the K2 mounting rails on roofs with trapezoidal sheet metal, corrugated fibre cement or corrugated sheet metal. Matching M10/M12 adapter plates are available separately.



Steel: Solar fastener Ø 8.0 with M10×50 screw thread, E16 dome

Type	Item number
8×85 / 50, length 135 mm	2003018
8×115 / 50, length 165 mm	2003019
8×155 / 50, length 205 mm	2003020
8×195 / 50, length 245 mm	2003021



Steel: Solar fastener Ø 8.0 with M10×50 screw thread, FZD

Type	Item number
8×85 / 50, length 135 mm	2003013
8×115 / 50, length 165 mm	2003012
8×155 / 50, length 205 mm	2003016
8×195 / 50, length 245 mm	2003017



Timber: Solar fastener Ø 8,0 mm
 M10x50/70 mm,
 metric thread
 E14 calotte or
 FZD sealing made of EPDM
 On request



SingleRail standing seam and system clamps



Standing SeamClamp CF:x

- ▶ For double folded seam roofing
- ▶ Material: Aluminium
- ▶ Item 2003024



Round SeamClamp CF:x

- ▶ For round seam roofing
- ▶ Material: Aluminium
- ▶ Item. 2002859



Snap SeamClamp CF:x

- ▶ For single-fold and snap together profiles
- ▶ Material: Aluminium
- ▶ Item 2003083



SolidRail standing seam and system clamps



Standing SeamClamp S-5!

- ▶ For double folded seam roofing
- ▶ Material: Aluminium
- ▶ Item 1001052



Round SeamClamp S-5!

- ▶ For round seam
- ▶ Material: Aluminium
- ▶ Item 1000888



Snap SeamClamp CF:x

- ▶ For single-fold and snap together profiles
- ▶ Material: Aluminium
- ▶ Item 2003082



Standing SeamClamp

- ▶ For standing seam roofing
- ▶ Material: Stainless steel
- ▶ Item 2001712



Rib-Roof Evolution Clamp

- ▶ For Rib-Roof Evolution with rounded profile
- ▶ Material: Aluminium
- ▶ Item 2002226



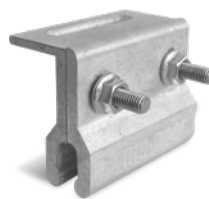
Rib-Roof 500 Clamp

- ▶ For Rib-Roof Speed 500 trapezoidal profile
- ▶ Material: Aluminium
- ▶ Item 2002225



Rib-Roof 465 Clamp

- ▶ For Rib-Roof 465 trapezoidal profile
- ▶ Material: Aluminium
- ▶ Item 2002118



Round SeamClamp

- ▶ For Kalzip roofs with rounded seam ends
- ▶ Material: Stainless steel
- ▶ Item 2001853

