

# CHECKLIST

## CORRUGATED FIBER CEMENT / TRAPEZOIDAL SHEET METAL / SANDWICH PANEL

PLEASE COMPLETE THIS FORM AND SEND IT BY MAIL TO INFO@K2-SYSTEMS.DE OR BY FAX TO +49 (0) 7159 42059-209

SOLAR FASTENERS

HANGER BOLTS

### BUILDING PROJECT

NAME OF COSTUMER

NAME OF PROJECT

LOCATION

STREET / NO.

POSTCODE / CITY / COUNTRY

TELEPHONE NO. FOR DELIVERY NOTIFICATION (ANNOUNCEMENT OF DELIVERY)

### LOCATION DETAILS

ALTITUDE \_\_\_\_\_ m

WIND LOAD \_\_\_\_\_ m/s \_\_\_\_\_ kN/m<sup>2</sup>

SNOW LOAD ON THE GROUND [S<sub>s</sub>] \_\_\_\_\_ kN/m<sup>2</sup>

### TOPOGRAPHIC SITUATION

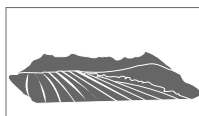
#### CATEGORY 0

LAKESIDE OR COASTAL AREA



#### CATEGORY 1

FLAT FIELD WITH AND WITHOUT, FEW OBSTACLES



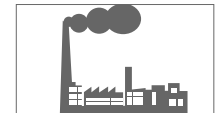
#### CATEGORY 2

FLAT FIELD, WITH ISOLATED OBSTACLES



#### CATEGORY 3

URBAN ZONE INDUSTRIAL AREA

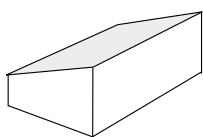


#### CATEGORY 4

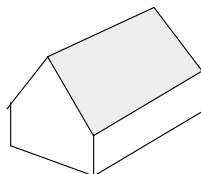
URBAN AREA



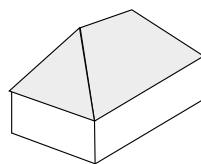
### ROOF TYPE



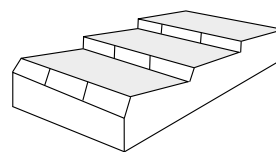
PENT ROOF



DOUBLE PITCHED



HIPPED ROOF



SHED ROOF

### OBSTACLES

SKYLIGHTS

VENT/CHIMNEY

AERIAL

VOIDS

## BUILDING DATA

\_\_\_\_\_ m  
a BUILDING WIDTH

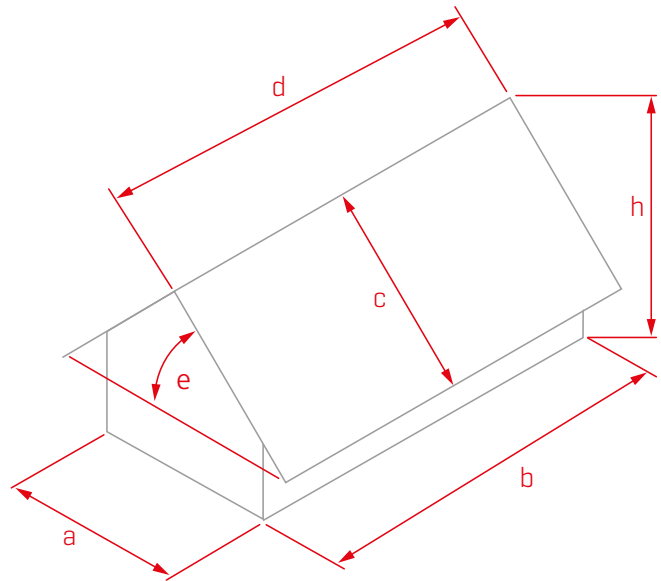
\_\_\_\_\_ m  
b BUILDING LENGTH

\_\_\_\_\_ m  
c ROOF WIDTH

\_\_\_\_\_ m  
d ROOF LENGTH

\_\_\_\_\_ °  
E ROOF PITCH

\_\_\_\_\_ m  
h BUILDING HEIGHT



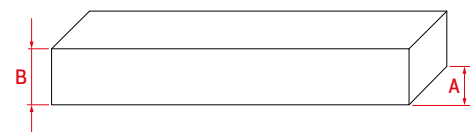
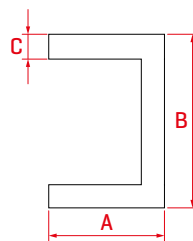
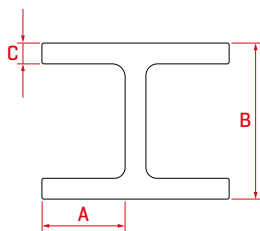
## ROOF DETAILS

SUPPORTING STRUCTURE

PURLINS    CONCRETE    TIMBER    STEEL

\_\_\_\_\_ mm    \_\_\_\_\_ mm    \_\_\_\_\_ mm  
DISTANCE    A WIDTH    B HEIGHT

\_\_\_\_\_ mm  
C THICKNESS



## ROOF STRUCTURE ON SUPPORTING STRUCTURE

MANUFACTURER \_\_\_\_\_

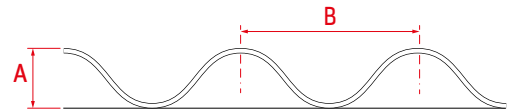
TYPE/ PRODUCT TYPE: \_\_\_\_\_

### CORRUGATED FIBRE CEMENT

\_\_\_\_\_ mm  
A HEIGHT OF CORRUGATION

\_\_\_\_\_ mm  
B SPACING OF CORRUGATION (CREST)

MATERIAL \_\_\_\_\_



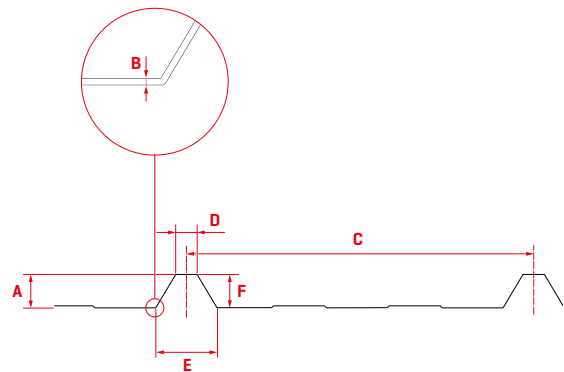
### TRAPEZOIDAL SHEET METAL

\_\_\_\_\_ mm  
A OVERALL HEIGHT INCL. (F) CREST

\_\_\_\_\_ mm  
B THICKNESS

\_\_\_\_\_ mm  
C CREST DISTANCE

MATERIAL: ALUMINIUM  
STEEL



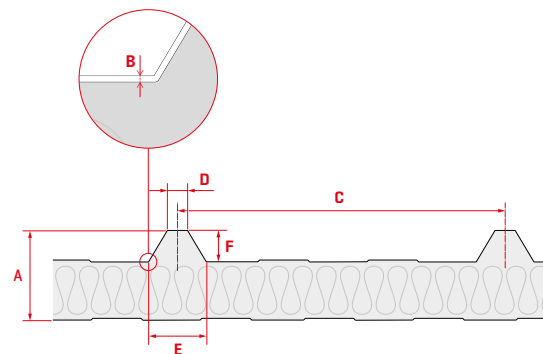
### SANDWICH PANEL

\_\_\_\_\_ mm  
A OVERALL HEIGHT INCL. (F) CREST

\_\_\_\_\_ mm  
B THICKNESS

\_\_\_\_\_ mm  
C CREST DISTANCE

MATERIAL: ALUMINIUM  
STEEL



### SOLAR FASTENER TYPE

SEALING WASHER FZD

CALOTTE

REQUIRED INFORMATION TO DETERMINE STORM WASHER/CALOTTE

COLOUR (RAL) \_\_\_\_\_

J SUPPORT ANGLE \_\_\_\_\_ °

\_\_\_\_\_ mm  
H UPPER FLANGE CLEAR WIDTH

\_\_\_\_\_ mm  
E LOWER FLANGE CLEAR WIDTH

\_\_\_\_\_ mm  
D UPPER FLANGE WIDTH

\_\_\_\_\_ mm  
G LOWER FLANGE WIDTH

F HEIGHT OF PROFILE \_\_\_\_\_



## MODULE TYPES / DATA

---

MODULE TYPE

WP

---

MODULE OUTPUT

KG

---

MODULE WEIGHT

MODULE CLAMPING

LONG SIDE

SHORT SIDE

---

MODULE DIMENSIONS

---

NO'S OF MODULES [project-based]

MODULE ORIENTATION

LANDSCAPE

PORTRAIT

