

CHECKLIST FLATROOF

PLEASE COMPLETE THIS FORM AND SEND IT BY MAIL TO INFO@K2-SYSTEMS.DE OR BY FAX TO +49 (0) 7159 42059-209



MOUNTING SYSTEM D-DOME V 10°

MOUNTING SYSTEM D-DOME 10°

MOUNTING SYSTEM D-DOME 6

MOUNTING SYSTEM S-DOME V 10°

MOUNTING SYSTEM S-DOME 10°

MOUNTING SYSTEM S-DOME 6

MOUNTING SYSTEM S-DOME V 15°

PROJECT DETAILS

NAME OF CUSTOMER

NAME OF PROJECT

LOCATION

STREET / NO.

POSTCODE / CITY / COUNTRY

TEL. NO. FOR SHIPPING NOTIFICATION [NOTIFICATION OF DELIVERY]

LOCATION/SITE DETAILS

ALTITUDE m

WIND LOAD m/s kN/m²

SNOW LOAD [S_k] kN/m²

TOPOGRAPHIC SITUATION

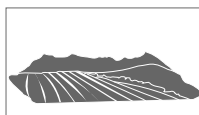
CATEGORY 0

LAKESIDE OR COASTAL AREA



CATEGORY 1

FLAT FIELD WITH AND WITHOUT FEW OBSTACLES



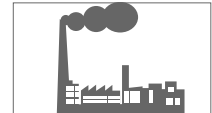
CATEGORY 2

FIELD WITH HEDGES



CATEGORY 3

URBAN ZONE INDUSTRIAL AREA



CATEGORY 4

URBAN AREA



OBSTACLES

SKYLIGHTS

VENT/CHIMNEY

AERIAL

VOIDS

LENGTH m

HEIGHT m

WIDTH m

BUILDING / ROOF DATA

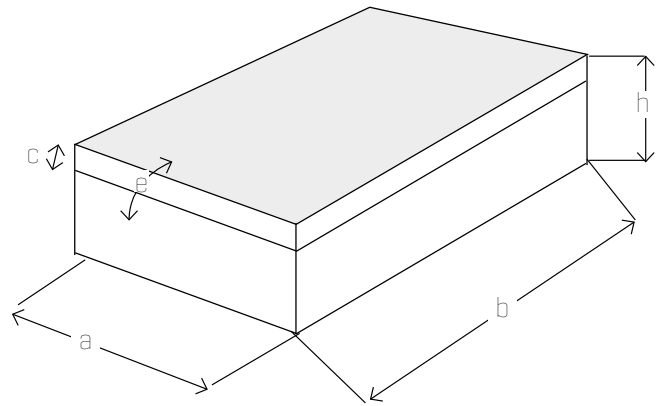
_____ m
A ROOF WIDTH

_____ m
B ROOF LENGTH

_____ m
C PARAPET WALL HEIGHT

_____ m
H BUILDING HEIGHT

_____ °
E ROOF PITCH



FLAT ROOF (ROOF COVERING)

Membrane/PVC

_____ mm
MANUFACTURER (IF KNOWN)

_____ COEFFICIENT OF FRICTION

Bituminous

_____ MANUFACTURER (IF KNOWN)

_____ COEFFICIENT OF FRICTION

_____ mm
ADDITIONAL GRAVEL FILL

ROOF PENETRATION POSSIBLE
YES NO

_____ kg/m²
ALLOWED VALUE OF ADDITIONAL LOADS ONTO EXIST. ROOF CONSTRUCTION

_____ GREEN/BROWN ROOF

_____ OTHER

MODULE TYPES / DATA

_____ MODULE TYPE

_____ WP
MODULE OUTPUT

_____ KG
MODULE WEIGHT

MODULE CLAMPING
LONG SIDE SHORT SIDE

_____ / _____ MM
MODULE DIMENSIONS

_____ PCS.
NO'S OF MODULES [project-based]

MODULE ORIENTATION
LANDSCAPE PORTRAIT

