



CHECKLIST TRAPEZOIDAL SHEET METAL / SANDWICH PANEL

PLEASE COMPLETE THIS FORM AND SEND IT BY MAIL TO INFO@K2-SYSTEMS.DE OR BY FAX TO +49 (0) 7159 42059-209

SPEEDRAIL

MULTIRAIL

MINIRAIL

BUILDING PROJECT

NAME OF COSTUMER

NAME OF PROJECT

LOCATION

STREET / NO.

POSTCODE / CITY / COUNTRY

TELEPHONE NO. FOR DELIVERY NOTIFICATION (ANNOUNCEMENT OF DELIVERY)

LOCATION DETAILS

ALTITUDE _____ m

WIND LOAD _____ m/s _____ kN/m²

SNOW LOAD ON THE GROUND [S_s] _____ kN/m²

TOPOGRAPHIC SITUATION

CATEGORY 0

LAKESIDE OR COASTAL AREA



CATEGORY 1

FLAT FIELD WITH AND WITHOUT , FEW OBSTACLES



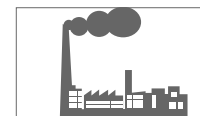
CATEGORY 2

FLAT FIELD, WITH ISOLATED OBSTACLES



CATEGORY 3

URBAN ZONE INDUSTRIAL AREA

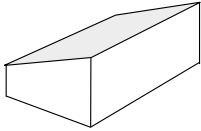


CATEGORY 4

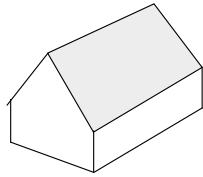
URBAN AREA



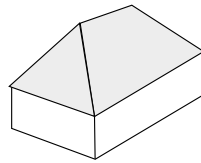
ROOF TYPE



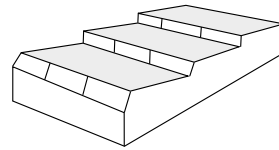
PENT ROOF



DOUBLE PITCHED



HIPPED ROOF



SHED ROOF

OBSTACLES

SKYLIGHTS

VENT/CHIMNEY

AERIAL

VOIDS

_____ m
LENGTH

_____ m
WIDTH

_____ m
HEIGHT

BUILDING DATA

_____ m
a BUILDING WIDTH

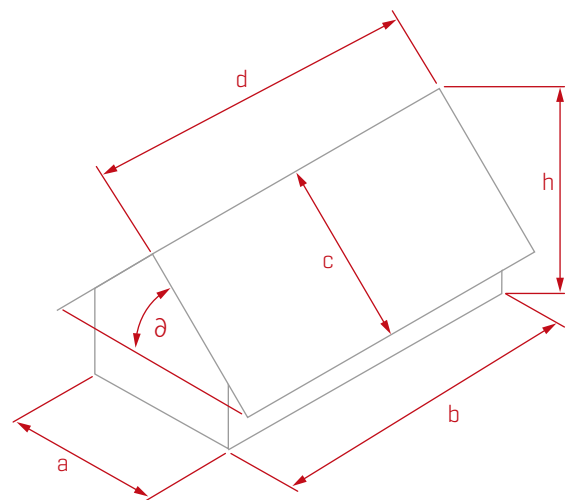
_____ m
b BUILDING LENGTH

_____ m
c ROOF WIDTH

_____ m
d ROOF LENGTH

_____ °
ð ROOF PITCH

_____ m
h BUILDING HEIGHT



SHEET METAL ROOF

TRAPEZOIDAL I SANDWICH

MATERIAL: ALUMINIUM STEEL

_____ mm
A TOTAL HEIGHT INCL. (F) PROFILE HEIGHT

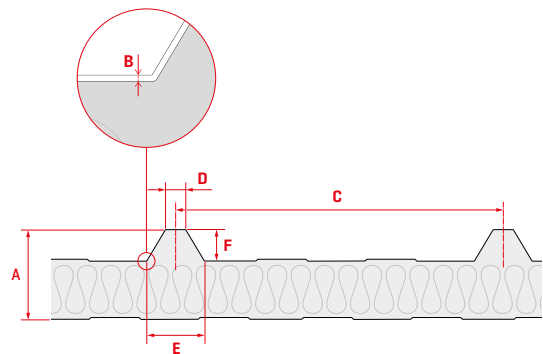
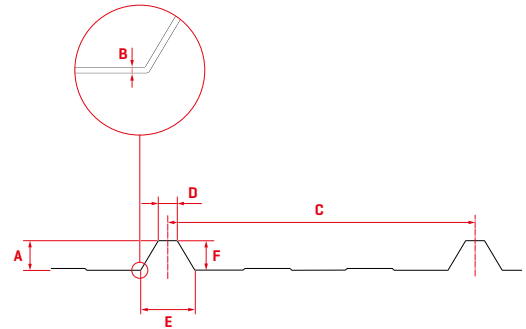
_____ mm
B STRENGTH

_____ mm
C CREST DISTANCE

_____ mm
D TOP CHORD WIDTH

_____ mm
E LOWER CHORD WIDTH

_____ mm
F Height of profile



MODULE TYPES / DATA

_____ mm
MODULE TYPE

_____ WP
MODULE OUTPUT

_____ KG
MODULE WEIGHT

MODULE CLAMPING
LONG SIDE SHORT SIDE

_____ / _____ / _____ mm
MODULE DIMENSIONS

_____ ST.
NO'S OF MODULES [project-based]

MODULE ORIENTATION
LANDSCAPE PORTRAIT

