



March 28, 2023

K2 Systems  
2835 La Mirada Dr., Ste. A  
Vista, CA 92081  
TEL: (760) 301-5300

Attn.: K2 Systems - Engineering Department

Re: Report # 2019-01435MS.01 Engineering Certification for the K2 Systems CrossRail - Dual Rail System for Mono-Slope roofs.

PZSE, Inc. - Structural Engineers have reviewed K2 Systems Dual Rail. All information, data, and analysis contained within the K2 Systems Dual Rail span tables are based on, and comply with the following codes:

1. Minimum Design Loads for Buildings and Other Structures, ASCE/SEI 7-16
2. 2018-2021 International Building Code, by the International Code Council, Inc.
3. 2018-2021 International Residential Code, by the International Code Council, Inc.
4. AC428, Acceptance Criteria for Modular Framing Systems Used to Support Photovoltaic (PV) Panels, November 1, 2012, by ICC-ES
5. Aluminum Design Manual 2020, by The Aluminum Association, Inc.
6. ANSI/AWC NDS-2015, National Design Specification for Wood Construction, by the American Wood Council

Following are typical specifications to meet the above code requirements:

**Design Criteria:** Ground Snow Load = 0 - 100 (psf)  
Basic Wind Speed = 95 - 200 (mph)  
Roof Mean Height = 0 - 60 (ft)  
Enclosed and Partially Enclosed Mono Roof Pitch = 0° - 30° (degrees)  
Open Mono Roof Pitch = 0° - 45° (degrees)  
Exposure Category = B, C & D  
Seismic Design Category = A-E

**Rail:** K2 Systems 48-X, K2 Systems 48-XL, and K2 Systems X80, made with an aluminum alloy, 6000 series, with a minimum yield strength of 34.8 ksi.

**Attachment Devices:** Attachment not considered for K2 Systems Dual Rail System span table.

**Cantilever:** Maximum cantilever length is  $L/3$ , where “L” is the span noted in the Span Tables, provided there is at least 1 module length between maximum cantilevers.

**Clearance:** 2” to 10” clear from the top of the roof to top of PV panel.

**Tolerance(s):** 1.0” tolerance for any specified dimension in this report is allowed for installation.

**Installation Orientation:** Landscape (L) - PV Panel long dimension is parallel to the ridge/eave line of roof, and the PV panel is mounted on the long side.  
 Portrait (P) - PV Panel short dimension is parallel to the ridge/eave line of roof, and the PV panel is mounted on the short side.  
 Dual Rail Span Tables assume maximum panel dimensions are: 78.5”x40”

**Components and Cladding Roof Zones:**

**Roof Zones - Enclosed and Partially Enclosed Mono Slope Roofs,  $\theta \leq 3^\circ$ :**

The zones shall be determined using figure 30.3-5A note 5 of ASCE 7-16. See Figure 1.

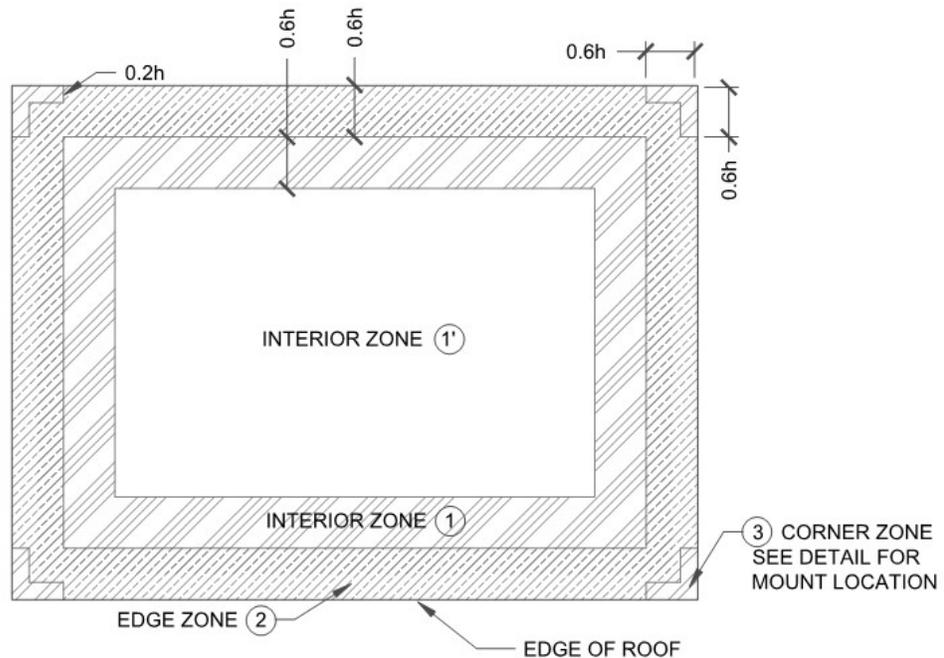


Figure 1: Roof Edge and Corner Zones, Mono Slope,  $\theta \leq 3^\circ$

**Roof Zones - Enclosed and Partially Enclosed Mono Slope Roofs,  $3^\circ < \theta \leq 10^\circ$ :**

The Edge Zone, "a," shall be determined using figure 30.3-5A of ASCE 7-16. See Figure 2.

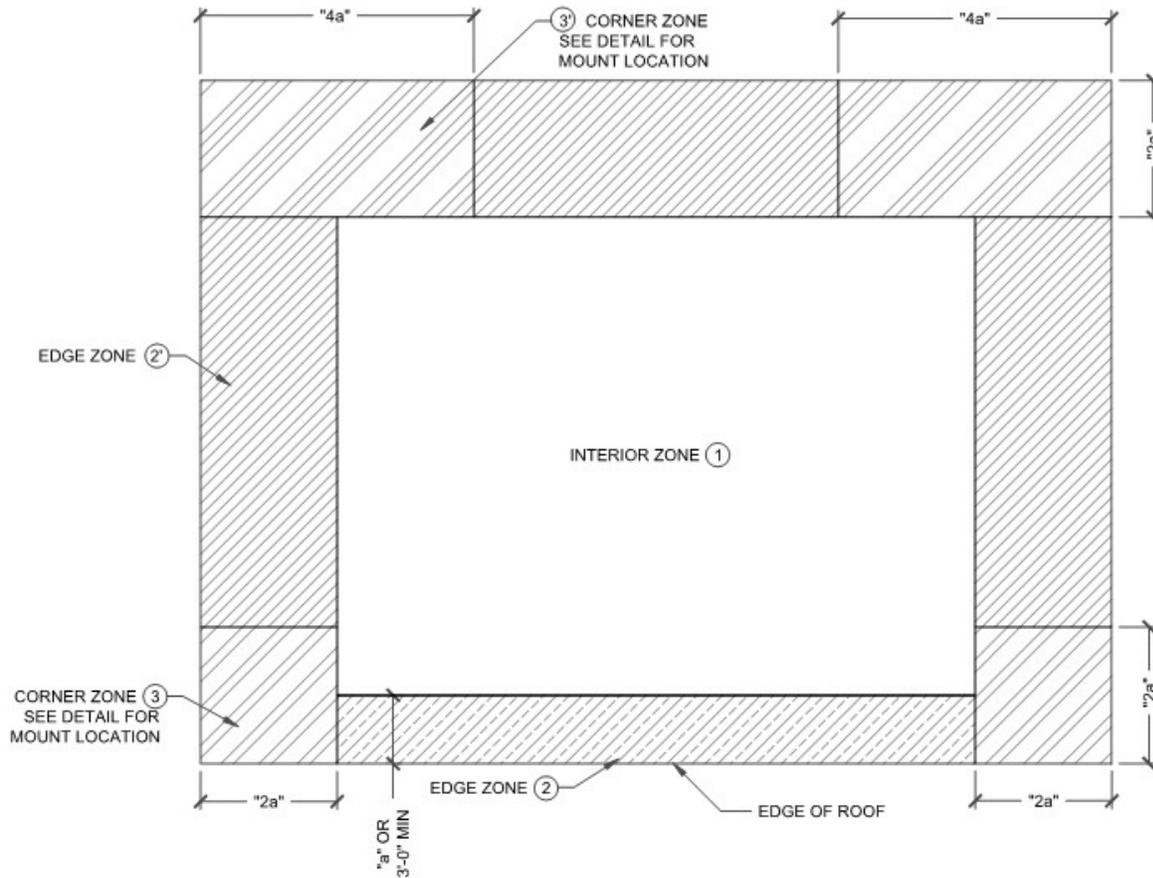


Figure 2: Roof Zones, Mono Slope,  $3^\circ < \theta \leq 10^\circ$

**Roof Zones - Enclosed and Partially Enclosed Mono Slope Roofs,  $10^\circ < \theta \leq 30^\circ$ :**

The Edge Zone, "a," shall be determined using figure 30.3-5B of ASCE 7-16. See Figure 3.

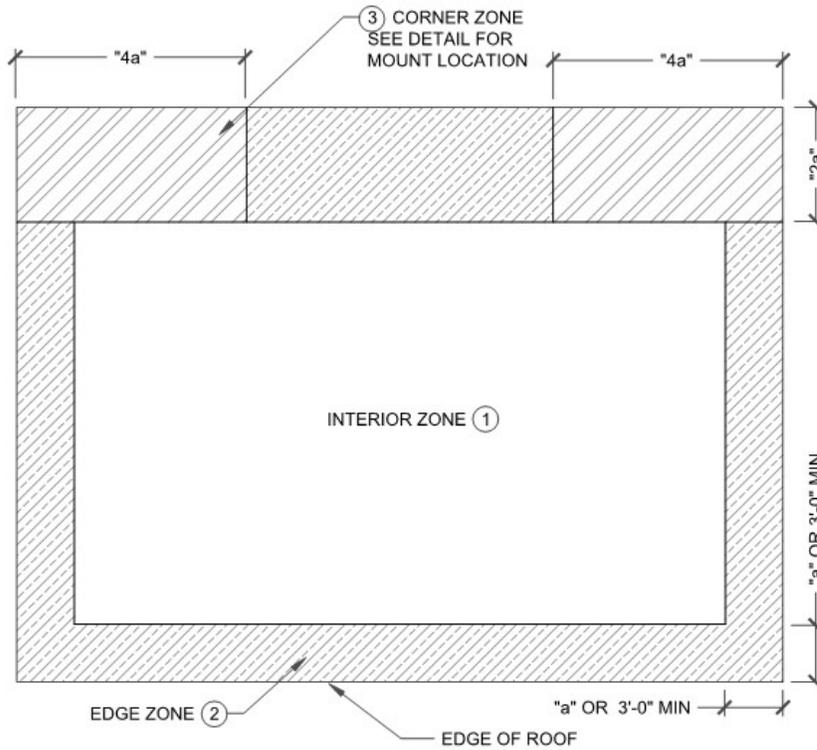


Figure 3: Roof Zones, Mono Slope,  $10^\circ < \theta \leq 30^\circ$

**Roof Zones – Open Mono Slope Roofs,  $0^\circ < \theta \leq 45^\circ$ :**

The Edge Zone, “a,” shall be determined using figure 30.7-1 of ASCE 7-16. See Figure 4.

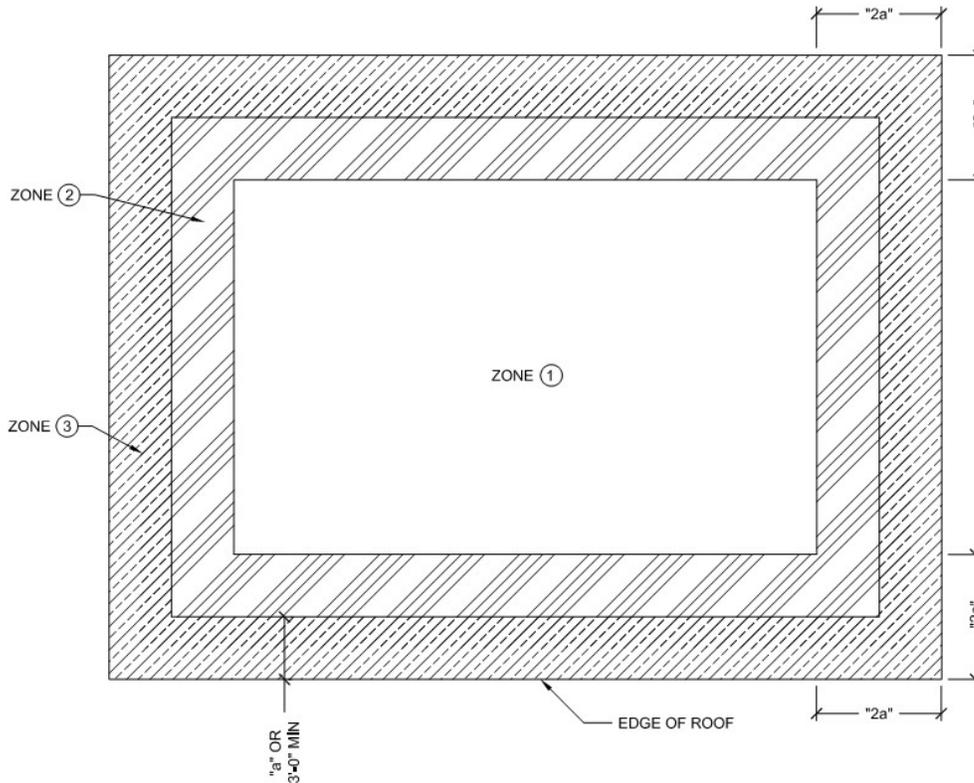


Figure 4: Roof Zones, Mono Slope,  $0^\circ < \theta \leq 45^\circ$



### **Panel with Support Mounts in Multiple Roof Zones:**

Edge and Corner Zone spacings (Zone 2 & 3, respectively) apply only to mounts located in those Zones, not to all the mounts supporting the module.

- Notes:
- 1) Tables are determined for Dual Rail only and do not include roof capacity check.
  - 2) Risk Category II per ASCE 7-16.
  - 3) Topographic factor,  $k_{zt}$  is 1.0.
  - 4) Average parapet height is 0.0 ft.
  - 5) Wind speeds are LRFD values.
  - 6) Attachment spacing(s) apply to a seismic design category E or less.

### **Design Responsibility:**

These tables are intended to be used under the responsible charge of a registered design professional where required by the authority having jurisdiction. In all cases, these tables should be used under the direction of a design professional with sufficient structural engineering knowledge and experience to be able to:

- Evaluate whether these tables apply to the project, and
- Understand and determine the appropriate values for all input parameters of these tables.

This letter certifies that the K2 Systems Dual Rail System, when installed according to the limitations of this letter and the attached span tables, complies with the above codes and loading criteria. This certification excludes evaluation of the building structure to support the loads imposed on the building by the array; including, but not limited to strength and deflection of structural framing members, fastening and/or strength of roofing materials, and/or the effects of snow accumulation on the roof. Structures will require additional knowledge of the building and are outside the scope of the certification of this racking system.

If you have any questions on the above, do not hesitate to call.

Prepared by:  
PZSE, Inc. – Structural Engineers  
Roseville, CA



## Table of Contents

---

Item .....	Page #
Part 1: K2 Systems Dual Rail Flush-Mount System - Enclosed Mono-slope .....	
Span Tables for 48-X Flush-Mount Dual Rail on 0-30 Foot Roof with 72-Cell Modules - Landscape .....	8
Span Tables for 48-X Flush-Mount Dual Rail on 0-30 Foot Roof with 72-Cell Modules - Portrait .....	16
Span Tables for 48-X Flush-Mount Dual Rail on 30-60 Foot Roof with 72-Cell Modules - Landscape .....	24
Span Tables for 48-X Flush-Mount Dual Rail on 30-60 Foot Roof with 72-Cell Modules - Portrait .....	32
Span Tables for 48-XL Flush-Mount Dual Rail on 0-30 Foot Roof with 72-Cell Modules - Landscape .....	40
Span Tables for 48-XL Flush-Mount Dual Rail on 0-30 Foot Roof with 72-Cell Modules - Portrait .....	48
Span Tables for 48-XL Flush-Mount Dual Rail on 30-60 Foot Roof with 72-Cell Modules - Landscape .....	56
Span Tables for 48-XL Flush-Mount Dual Rail on 30-60 Foot Roof with 72-Cell Modules - Portrait .....	64
Span Tables for X80 Flush-Mount Dual Rail on 0-30 Foot Roof with 72-Cell Modules - Landscape .....	72
Span Tables for X80 Flush-Mount Dual Rail on 0-30 Foot Roof with 72-Cell Modules - Portrait .....	80
Span Tables for X80 Flush-Mount Dual Rail on 30-60 Foot Roof with 72-Cell Modules - Landscape .....	88
Span Tables for X80 Flush-Mount Dual Rail on 30-60 Foot Roof with 72-Cell Modules - Portrait .....	96
Part 2: K2 Systems Dual Rail Flush-Mount System - Open Mono-slope .....	
Span Tables for 48-X Flush-Mount Dual Rail on 0-30 Foot Roof with 72-Cell Modules - Landscape .....	104
Span Tables for 48-X Flush-Mount Dual Rail on 0-30 Foot Roof with 72-Cell Modules - Portrait .....	110
Span Tables for 48-X Flush-Mount Dual Rail on 30-60 Foot Roof with 72-Cell Modules - Landscape .....	116
Span Tables for 48-X Flush-Mount Dual Rail on 30-60 Foot Roof with 72-Cell Modules - Portrait .....	122
Span Tables for 48-XL Flush-Mount Dual Rail on 0-30 Foot Roof with 72-Cell Modules - Landscape .....	128
Span Tables for 48-XL Flush-Mount Dual Rail on 0-30 Foot Roof with 72-Cell Modules - Portrait .....	134
Span Tables for 48-XL Flush-Mount Dual Rail on 30-60 Foot Roof with 72-Cell Modules - Landscape .....	140
Span Tables for 48-XL Flush-Mount Dual Rail on 30-60 Foot Roof with 72-Cell Modules - Portrait .....	146
Span Tables for X80 Flush-Mount Dual Rail on 0-30 Foot Roof with 72-Cell Modules - Landscape .....	152
Span Tables for X80 Flush-Mount Dual Rail on 0-30 Foot Roof with 72-Cell Modules - Portrait .....	158
Span Tables for X80 Flush-Mount Dual Rail on 30-60 Foot Roof with 72-Cell Modules - Landscape .....	164
Span Tables for X80 Flush-Mount Dual Rail on 30-60 Foot Roof with 72-Cell Modules - Portrait .....	170
Appendix A: K2 Systems CrossRail Cut Sheets .....	176

1478 Stone Point Drive, Suite 190, Roseville, CA 95661

T 916.961.3960    F 916.961.3965    W [www.pzse.com](http://www.pzse.com)

Experience | Integrity | Empowerment





Maximum Rail Spans (Inches)			K2 Systems 48-X Flush-Mount Dual Rail, Enclosed Mono Slope Roof 0-30ft, 72 Cell(L) Rail Only																																												
Ground Snow Load	Exposure Category	Panel Angle	Wind Speed -> 140 mph						150 mph						160 mph						170 mph						180 mph						190 mph						200 mph								
			Roof Zone ->						1'	1	2'	2	3'	3	1'	1	2'	2	3'	3	1'	1	2'	2	3'	3	1'	1	2'	2	3'	3	1'	1	2'	2	3'	3	1'	1	2'	2	3'	3	1'	1	2'
0 psf	B	0 to 3	Array Interior	112	96	86	86	77	77	112	92	82	82	73	73	111	87	79	79	70	70	106	84	75	75	65	65	101	80	72	72	62	62	97	77	69	69	58	58	94	75	66	66	55	55		
			Array Edge	105	83	75	75	65	65	100	79	71	71	60	60	95	76	67	67	56	56	91	73	63	63	53	53	87	69	59	59	50	50	84	66	56	56	47	47	81	62	53	53	45	45		
		3 to 10	Array Interior	112	112	98	106	83	94	108	108	94	101	79	90	102	102	89	96	75	86	98	88	86	92	72	82	94	84	82	88	69	79	90	90	79	85	65	76	87	87	76	82	62	73		
			Array Edge	97	97	85	92	72	82	93	93	81	87	67	78	88	88	77	83	63	74	85	85	74	80	59	71	81	81	71	77	56	67	78	78	68	74	53	64	75	75	64	71	50	60		
		10 to 30	Array Interior	106	106	98	98	79	79	101	101	93	93	76	76	96	96	89	89	72	72	92	92	85	85	69	69	88	88	82	82	65	65	85	85	79	79	61	61	82	82	76	76	58	58		
			Array Edge	91	91	85	85	68	68	87	87	81	81	63	63	83	83	77	77	59	59	80	80	74	74	56	56	77	77	71	71	53	53	74	74	68	68	50	50	71	71	64	64	47	47		
	C	0 to 3	Array Interior	108	85	77	77	67	67	102	81	73	73	63	63	98	78	69	69	59	59	93	74	65	65	55	55	90	72	61	61	52	52	86	68	58	58	49	49	83	64	55	55	47	47		
			Array Edge	93	74	65	65	55	55	88	70	60	60	51	51	84	66	56	56	48	48	81	62	53	53	45	45	78	58	50	50	42	42	75	55	47	47	40	40	72	52	45	45	38	38		
		3 to 10	Array Interior	100	100	87	94	73	84	95	95	83	89	70	80	91	91	79	85	65	76	87	87	76	82	61	73	83	83	73	79	58	70	80	80	70	76	55	66	77	77	67	73	52	63		
			Array Edge	86	86	76	81	61	72	82	82	72	77	56	68	78	78	68	74	53	64	75	75	64	71	50	60	72	72	60	67	47	57	69	69	57	63	44	54	65	65	54	60	42	51		
		10 to 30	Array Interior	94	94	87	87	71	71	89	89	83	83	66	66	85	85	79	79	61	61	82	82	76	76	58	58	78	78	73	73	54	54	75	75	70	70	52	52	73	73	66	66	49	49		
			Array Edge	81	81	75	75	57	57	77	77	72	72	53	53	74	74	68	68	50	50	71	71	64	64	47	47	67	67	60	60	44	44	63	63	57	57	42	42	60	60	54	54	40	40		
D	0 to 3	Array Interior	101	80	72	72	62	62	96	77	68	68	57	57	92	73	64	64	54	54	88	70	60	60	50	50	84	66	56	56	48	48	81	62	53	53	45	45	78	59	51	51	43	43			
		Array Edge	87	69	59	59	50	50	83	65	55	55	47	47	79	60	52	52	44	44	76	57	49	49	41	41	73	53	46	46	39	39	70	51	43	43	37	37	67	48	41	41	35	35			
	3 to 10	Array Interior	94	94	82	88	69	79	89	89	78	84	64	75	85	85	75	80	60	72	82	82	72	77	56	68	78	78	68	74	53	64	76	76	64	71	50	60	73	73	61	68	47	57			
		Array Edge	81	81	71	77	56	67	77	77	67	73	52	63	74	74	62	69	48	59	71	71	58	65	46	55	67	67	55	61	43	52	63	63	52	58	41	49	60	60	49	55	39	47			
	10 to 30	Array Interior	88	88	82	82	65	65	84	84	78	78	60	60	80	80	75	75	56	56	77	77	72	72	53	53	74	74	68	68	50	50	71	71	64	64	47	47	68	68	61	61	45	45			
		Array Edge	76	76	71	71	53	53	73	73	66	66	49	49	69	69	62	62	46	46	65	65	58	58	43	43	61	61	55	55	41	41	58	58	52	52	38	38	55	55	49	49	36	36			
5 psf	B	0 to 3	Array Interior	108	96	86	86	77	77	108	92	82	82	73	73	108	87	79	79	70	70	106	84	75	75	65	65	101	80	72	72	62	62	97	77	69	69	58	58	94	75	66	66	55	55		
			Array Edge	105	83	75	75	65	65	100	79	71	71	60	60	95	76	67	67	56	56	91	73	63	63	53	53	87	69	59	59	50	50	84	66	56	56	47	47	81	62	53	53	45	45		
		3 to 10	Array Interior	108	108	98	106	83	94	108	108	94	101	79	90	102	102	89	96	75	86	98	98	86	92	72	82	94	84	82	88	69	79	90	90	79	85	65	76	87	87	76	82	62	73		
			Array Edge	97	97	85	92	72	82	93	93	81	87	67	78	88	88	77	83	63	74	85	85	74	80	59	71	81	81	71	77	56	67	78	78	68	74	53	64	75	75	64	71	50	60		
		10 to 30	Array Interior	106	106	98	98	79	79	101	101	93	93	76	76	96	96	89	89	72	72	92	92	85	85	69	69	88	88	82	82	65	65	85	85	79	79	61	61	82	82	76	76	58	58		
			Array Edge	91	91	85	85	68	68	87	87	81	81	63	63	83	83	77	77	59	59	80	80	74	74	56	56	77	77	71	71	53	53	74	74	68	68	50	50	71	71	64	64	47	47		
	C	0 to 3	Array Interior	108	85	77	77	67	67	102	81	73	73	63	63	98	78	69	69	59	59	93	74	65	65	55	55	90	72	61	61	52	52	86	68	58	58	49	49	83	64	55	55	47	47		
			Array Edge	93	74	65	65	55	55	88	70	60	60	51	51	84	66	56	56	48	48	81	62	53	53	45	45	78	58	50	50	42	42	75	55	47	47	40	40	72	52	45	45	38	38		
		3 to 10	Array Interior	100	100	87	94	73	84	95	95	83	89	70	80	91	91	79	85	65	76	87	87	76	82	61	73	83	83	73	79	58	70	80	80	70	76	55	66	77	77	67	73	52	63		
			Array Edge	86	86	76	81	61	72	82	82	72	77	56	68	78	78	68	74	53	64	75	75	64	71	50	60	72	72	60	67	47	57	69	69	57	63	44	54	65	65	54	60	42	51		
		10 to 30	Array Interior	94	94	87	87	71	71	89	89	83	83	66	66	85	85	79	79	61	61	82	82	76	76	58	58	78	78	73	73	54	54	75	75	70	70	52	52	73	73	66	66	49	49		
			Array Edge	81	81	75	75	57	57	77	77	72	72	53	53	74	74	68	68	50	50	71	71	64	64	47	47	67	67	60	60	44	44	63	63	57	57	42	42	60	60	54	54	40	40		
D	0 to 3	Array Interior	101	80	72	72	62	62	96	77	68	68	57	57	92	73	64	64	54	54	88	70	60	60	50	50	84	66	56	56	48	48	81	62	53	53	45	45	78	59	51	51	43	43			
		Array Edge	87	69	59	59	50	50	83	65	55	55	47	47	79	60	52	52	44	44	76	57	49	49	41	41	73	53	46	46	39	39	70	51	43	43	37	37	67	48	41	41	35	35			
	3 to 10	Array Interior	94	94	82	88	69	79	89	89	78	84	64	75	85	85	75	80	60	72	82	82	72	77	56	68	78	78	68	74	53	64	76	76	64	71	50	60	73	73	61	68	47	57			
		Array Edge	81	81	71	77	56	67	77	77	67	73	52	63	74	74	62	69	48	59	71	71	58	65	46	55	67	67	55	61	43	52	63	63	52	58	41	49	60	60	49	55	39	47			
	10 to 30	Array Interior	88	88	82	82	65	65	84	84	78	78	60	60	80	80	75	75	56	56	77	77	72	72	53	53	74	74	68	68	50	50	71	71	64	64	47	47	68	68	61	61	45	45			
		Array Edge	76	76	71	71	53	53	73	73	66	66	49	49	69	69	62	62	46	46	65	65	58	58	43	43	61	61	55	55	41	41	58	58	52	52	38	38	55	55	49	49	36	36			
10 psf	B	0 to 3	Array Interior	100	96	86	86	77	77	100	92	82	82	73	73	100	87	79	79	70	70	100	84	75	75	65	65	100	80	72	72	62	62	97	77	69	69	58	58	94	75	66	66	55			



Maximum Rail Spans (Inches)			K2 Systems 48-X Flush-Mount Dual Rail, Enclosed Mono Slope Roof 0-30ft, 72 Cell(L) Rail Only																																											
Ground Snow Load	Exposure Category	Panel Angle	Wind Speed ->		140 mph						150 mph						160 mph						170 mph						180 mph						190 mph						200 mph					
			Roof Zone ->		1'	1	2'	2	3'	3	1'	1	2'	2	3'	3	1'	1	2'	2	3'	3	1'	1	2'	2	3'	3	1'	1	2'	2	3'	3	1'	1	2'	2	3'	3	1'	1	2'	2	3'	3
20 psf	B	0 to 3	Array Interior	89	89	86	86	77	77	89	89	82	82	73	73	89	87	79	79	70	70	89	84	75	75	65	65	89	80	72	72	62	62	89	77	69	69	58	58	89	75	66	66	55	55	
			Array Edge	89	83	75	75	65	65	89	79	71	71	60	60	89	76	67	67	56	56	89	73	63	63	53	53	87	69	59	59	50	50	84	66	56	56	47	47	81	62	53	53	45	45	
		3 to 10	Array Interior	89	89	89	89	83	89	89	89	89	79	89	89	89	89	89	89	75	86	89	89	86	89	72	82	89	89	82	88	69	79	89	89	79	85	65	76	87	87	76	82	62	73	
			Array Edge	89	89	85	89	72	82	89	89	81	87	67	78	88	88	77	83	63	74	85	85	74	80	59	71	81	81	71	77	56	67	78	78	68	74	53	64	75	75	64	71	50	60	
		10 to 30	Array Interior	100	100	98	98	79	79	100	100	93	93	76	76	96	96	89	89	72	72	92	92	85	85	69	69	88	88	82	82	65	65	85	85	79	79	61	61	82	82	76	76	58	58	
			Array Edge	91	91	85	85	68	68	87	87	81	81	63	63	83	83	77	77	59	59	90	90	74	74	56	56	77	77	71	71	53	53	74	74	68	68	50	50	71	71	64	64	47	47	
	C	0 to 3	Array Interior	89	85	77	77	67	67	89	81	73	73	63	63	89	78	69	69	59	59	89	74	65	65	55	55	89	72	61	61	52	52	86	68	58	58	49	49	83	64	55	55	47	47	
			Array Edge	89	74	65	65	55	55	88	70	60	60	51	51	84	66	56	56	48	48	81	62	53	53	45	45	78	58	50	50	42	42	75	55	47	47	40	40	72	52	45	45	38	38	
		3 to 10	Array Interior	89	89	87	89	73	84	89	89	83	89	70	80	89	89	79	85	65	76	87	87	76	82	61	73	83	83	73	79	58	70	80	80	70	76	55	66	77	77	67	73	52	63	
			Array Edge	86	86	76	81	61	72	82	82	72	77	56	68	78	78	68	74	53	64	75	75	64	71	50	60	72	72	60	67	47	57	69	69	57	63	44	54	65	65	54	60	42	51	
		10 to 30	Array Interior	94	94	87	87	71	71	89	89	83	83	66	66	85	85	79	79	61	61	82	82	76	76	58	58	78	78	73	73	54	54	75	75	70	70	52	52	73	73	66	66	49	49	
			Array Edge	81	81	75	75	57	57	77	77	72	72	53	53	74	74	68	68	50	50	71	71	64	64	47	47	67	67	60	60	44	44	63	63	57	57	42	42	60	60	54	54	40	40	
D	0 to 3	Array Interior	89	80	72	72	62	62	89	77	68	68	57	57	89	73	64	64	54	54	88	70	60	60	50	50	84	66	56	56	48	48	81	62	53	53	45	45	78	59	51	51	43	43		
		Array Edge	87	69	59	59	50	50	83	65	55	55	47	47	79	60	52	52	44	44	76	57	49	49	41	41	73	53	46	46	39	39	70	51	43	43	37	37	67	48	41	41	35	35		
	3 to 10	Array Interior	89	89	82	88	69	79	89	89	78	84	64	75	85	85	75	80	60	72	82	82	72	77	56	68	78	78	68	74	53	64	76	76	64	71	50	60	73	73	61	68	47	57		
		Array Edge	81	81	71	77	56	67	77	77	67	73	52	63	74	74	62	69	48	59	71	71	58	65	46	55	67	67	55	61	43	52	63	63	52	58	41	49	60	60	49	55	39	47		
	10 to 30	Array Interior	88	88	82	82	65	65	84	84	78	78	60	60	80	80	75	75	56	56	77	77	72	72	53	53	74	74	68	68	50	50	71	71	64	64	47	47	68	68	61	61	45	45		
		Array Edge	76	76	71	71	53	53	73	73	66	66	49	49	69	69	62	62	46	46	65	65	58	58	43	43	61	61	55	55	41	41	58	58	52	52	38	38	55	55	49	49	36	36		
25 psf	B	0 to 3	Array Interior	89	89	86	86	77	77	89	89	82	82	73	73	89	87	79	79	70	70	89	84	75	75	65	65	89	80	72	72	62	62	89	77	69	69	58	58	89	75	66	66	55	55	
			Array Edge	89	83	75	75	65	65	89	79	71	71	60	60	89	76	67	67	56	56	89	73	63	63	53	53	87	69	59	59	50	50	84	66	56	56	47	47	81	62	53	53	45	45	
		3 to 10	Array Interior	89	89	89	89	83	89	89	89	89	79	89	89	89	89	89	89	75	86	89	89	86	89	72	82	89	89	82	88	69	79	89	89	79	85	65	76	87	87	76	82	62	73	
			Array Edge	89	89	85	89	72	82	89	89	81	87	67	78	88	88	77	83	63	74	85	85	74	80	59	71	81	81	71	77	56	67	78	78	68	74	53	64	75	75	64	71	50	60	
		10 to 30	Array Interior	96	96	96	96	79	79	96	96	93	93	76	76	96	96	89	89	72	72	92	92	85	85	69	69	88	88	82	82	65	65	85	85	79	79	61	61	82	82	76	76	58	58	
			Array Edge	91	91	85	85	68	68	87	87	81	81	63	63	83	83	77	77	59	59	80	80	74	74	56	56	77	77	71	71	53	53	74	74	68	68	50	50	71	71	64	64	47	47	
	C	0 to 3	Array Interior	89	85	77	77	67	67	89	81	73	73	63	63	89	78	69	69	59	59	89	74	65	65	55	55	89	72	61	61	52	52	86	68	58	58	49	49	83	64	55	55	47	47	
			Array Edge	89	74	65	65	55	55	88	70	60	60	51	51	84	66	56	56	48	48	81	62	53	53	45	45	78	58	50	50	42	42	75	55	47	47	40	40	72	52	45	45	38	38	
		3 to 10	Array Interior	89	89	87	89	73	84	89	89	83	89	70	80	89	89	79	85	65	76	87	87	76	82	61	73	83	83	73	79	58	70	80	80	70	76	55	66	77	77	67	73	52	63	
			Array Edge	86	86	76	81	61	72	82	82	72	77	56	68	78	78	68	74	53	64	75	75	64	71	50	60	72	72	60	67	47	57	69	69	57	63	44	54	65	65	54	60	42	51	
		10 to 30	Array Interior	94	94	87	87	71	71	89	89	83	83	66	66	85	85	79	79	61	61	82	82	76	76	58	58	78	78	73	73	54	54	75	75	70	70	52	52	73	73	66	66	49	49	
			Array Edge	81	81	75	75	57	57	77	77	72	72	53	53	74	74	68	68	50	50	71	71	64	64	47	47	67	67	60	60	44	44	63	63	57	57	42	42	60	60	54	54	40	40	
D	0 to 3	Array Interior	89	80	72	72	62	62	89	77	68	68	57	57	89	73	64	64	54	54	88	70	60	60	50	50	84	66	56	56	48	48	81	62	53	53	45	45	78	59	51	51	43	43		
		Array Edge	87	69	59	59	50	50	83	65	55	55	47	47	79	60	52	52	44	44	76	57	49	49	41	41	73	53	46	46	39	39	70	51	43	43	37	37	67	48	41	41	35	35		
	3 to 10	Array Interior	89	89	82	88	69	79	89	89	78	84	64	75	85	85	75	80	60	72	82	82	72	77	56	68	78	78	68	74	53	64	76	76	64	71	50	60	73	73	61	68	47	57		
		Array Edge	81	81	71	77	56	67	77	77	67	73	52	63	74	74	62	69	48	59	71	71	58	65	46	55	67	67	55	61	43	52	63	63	52	58	41	49	60	60	49	55	39	47		
	10 to 30	Array Interior	88	88	82	82	65	65	84	84	78	78	60	60	80	80	75	75	56	56	77	77	72	72	53	53	74	74	68	68	50	50	71	71	64	64	47	47	68	68	61	61	45	45		
		Array Edge	76	76	71	71	53	53	73	73	66	66	49	49	69	69	62	62	46	46	65	65	58	58	43	43	61	61	55	55	41	41	58	58	52	52	38	38	55	55	49	49	36	36		
30 psf	B	0 to 3	Array Interior	85	85	85	85	77	77	85	85	82	82	73	73	85	85	79	79	70	70	85	84	75	75	65	65	85	80	72	72	62	62	85	77	69	69	58	58	85	75	66	66	55	55	
			Array Edge	85	83	75																																								



Maximum Rail Spans (Inches)			K2 Systems 48-X Flush-Mount Dual Rail, Enclosed Mono Slope Roof 0-30ft, 72 Cell(L) Rail Only																																																		
Ground Snow Load	Exposure Category	Panel Angle	Wind Speed -> 140 mph						150 mph						160 mph						170 mph						180 mph						190 mph						200 mph														
			Roof Zone ->						1'	1'	2'	2'	3'	3'	1'	1'	2'	2'	3'	3'	1'	1'	2'	2'	3'	3'	1'	1'	2'	2'	3'	3'	1'	1'	2'	2'	3'	3'	1'	1'	2'	2'	3'	3'									
40 psf	B	0 to 3	Array Interior	83	83	83	83	77	77	83	83	82	82	73	73	83	83	79	79	70	70	83	83	75	75	65	65	83	80	72	72	62	62	83	77	69	69	58	58	83	75	66	66	55	55	45	45						
			Array Edge	83	83	75	75	65	65	83	83	79	71	60	60	83	83	76	67	67	56	56	83	83	73	63	53	53	83	69	59	59	50	50	82	66	56	56	47	47	81	62	53	53	45	45							
		3 to 10	Array Interior	83	83	83	83	83	83	83	83	83	83	83	79	83	83	83	83	75	83	83	83	83	72	82	83	83	83	82	83	69	79	83	83	79	83	65	76	83	83	76	82	62	63	62	70						
			Array Edge	83	83	83	83	72	82	83	83	81	83	67	78	83	83	77	83	63	74	83	83	74	80	59	71	81	81	71	77	56	67	78	78	68	74	53	64	75	75	64	71	50	60	60	63						
		10 to 30	Array Interior	88	88	88	88	79	79	88	88	88	88	76	76	88	88	88	88	72	72	88	88	85	85	69	69	88	88	82	82	65	65	85	85	79	79	61	61	82	82	76	76	58	58	71	71	64	64	47	47		
			Array Edge	88	88	85	85	68	68	87	87	81	81	63	63	83	83	77	77	59	59	80	80	74	74	56	56	77	77	71	71	53	53	75	74	68	68	50	50	71	71	64	64	47	47	81	81	64	64	47	47		
	C	0 to 3	Array Interior	83	83	77	77	67	67	83	81	73	73	63	63	83	78	69	69	59	59	83	74	65	65	55	55	83	72	61	61	52	52	83	68	58	58	49	49	82	64	55	55	47	47	72	52	45	45	38	38		
			Array Edge	83	74	65	65	55	55	83	70	60	60	51	51	82	66	56	56	48	48	81	62	53	53	45	45	78	58	50	50	42	42	75	55	47	47	40	40	72	52	45	45	38	38	72	52	45	45	38	38		
		3 to 10	Array Interior	83	83	83	83	73	83	83	83	83	83	70	80	83	83	79	83	65	76	83	83	76	82	61	73	83	83	73	79	58	70	80	80	70	76	55	66	77	77	67	73	52	63	63	63	49	49				
			Array Edge	83	83	76	81	61	72	82	82	72	77	56	68	78	78	68	74	53	64	75	75	64	71	50	60	72	72	60	67	47	57	69	69	57	63	44	54	65	65	54	60	42	51	62	62	49	49				
		10 to 30	Array Interior	88	88	87	87	71	71	88	88	83	83	66	66	85	85	79	79	61	61	82	82	76	76	58	58	78	78	73	73	54	54	75	75	70	70	52	52	73	73	66	66	49	49	81	81	61	61	44	44		
			Array Edge	81	81	75	75	57	57	77	77	72	72	53	53	74	74	68	68	50	50	71	71	64	64	47	47	67	67	60	60	44	44	63	63	57	57	42	42	60	60	54	54	40	40	60	60	54	54	40	40		
D	0 to 3	Array Interior	85	80	72	72	62	62	85	77	68	68	57	57	85	73	64	64	54	54	85	70	60	60	50	50	84	66	56	56	48	48	81	62	53	53	45	45	78	59	51	51	43	43	67	48	41	41	35	35			
		Array Edge	85	69	59	59	50	50	83	65	55	55	47	47	79	60	52	52	44	44	76	57	49	49	41	41	73	53	46	46	39	39	70	51	43	43	37	37	67	48	41	41	35	35	67	48	41	41	35	35			
	3 to 10	Array Interior	85	85	82	85	69	79	85	85	78	84	64	75	85	85	75	80	60	72	82	82	72	77	56	68	78	78	68	74	53	64	76	76	64	71	50	60	73	73	61	68	47	57	63	63	49	49	55	39	47	57	
		Array Edge	81	81	71	77	56	67	77	77	67	73	52	63	74	74	62	69	48	59	71	71	58	65	46	55	67	67	55	61	43	52	63	63	52	58	41	49	60	60	49	55	39	47	68	68	61	61	45	45			
	10 to 30	Array Interior	88	88	82	82	65	65	84	84	78	78	60	60	89	80	75	75	56	56	77	77	72	72	53	53	74	74	68	68	50	50	71	71	64	64	47	47	68	68	61	61	45	45	65	55	49	49	36	36			
		Array Edge	76	76	71	71	53	53	73	73	66	66	49	49	69	69	62	62	46	46	65	65	58	58	43	43	61	61	55	55	41	41	58	58	52	52	38	38	55	55	49	49	36	36	55	55	49	49	36	36			
45 psf	B	0 to 3	Array Interior	80	80	80	80	77	77	80	80	80	73	73	80	80	79	79	70	70	80	80	75	75	65	65	80	80	72	72	62	62	80	77	69	69	58	58	80	75	66	66	55	55	45	45							
			Array Edge	80	80	75	75	65	65	80	79	71	71	60	60	80	76	67	67	56	56	80	73	63	63	53	53	80	69	59	59	50	50	80	66	56	56	47	47	79	62	53	53	45	45	79	62	53	53	45	45		
		3 to 10	Array Interior	81	81	81	81	81	81	81	81	81	81	79	81	81	81	81	75	81	81	81	81	72	81	81	74	80	81	81	71	77	56	67	78	78	68	74	53	64	75	75	64	71	50	60	60	63	49	49			
			Array Edge	81	81	81	81	72	81	81	81	81	67	78	81	81	77	81	63	74	81	81	74	80	59	71	81	81	71	77	56	67	78	78	68	74	53	64	75	75	64	71	50	60	60	63	49	49	75	75	64	71	50
		10 to 30	Array Interior	86	86	86	86	79	79	86	86	86	86	76	76	86	86	86	86	72	72	86	86	85	85	69	69	86	86	82	82	65	65	85	85	79	79	61	61	82	82	76	76	58	58	71	71	64	64	47	47		
			Array Edge	86	86	85	85	68	68	86	86	81	81	63	63	83	83	77	77	59	59	80	80	74	74	56	56	77	77	71	71	53	53	74	74	68	68	50	50	71	71	64	64	47	47	68	68	61	61	45	45		
	C	0 to 3	Array Interior	80	80	77	77	67	67	80	80	73	73	63	63	80	78	69	69	59	59	80	74	65	65	55	55	80	72	61	61	52	52	80	68	58	58	49	49	80	64	55	55	47	47	72	52	45	45	38	38		
			Array Edge	80	74	65	65	55	55	80	70	60	60	51	51	80	66	56	56	48	48	79	62	53	53	45	45	78	58	50	50	42	42	75	55	47	47	40	40	72	52	45	45	38	38	72	52	45	45	38	38		
		3 to 10	Array Interior	81	81	81	81	73	81	81	81	81	70	80	81	81	79	81	65	76	81	81	76	81	61	73	81	81	73	79	58	70	80	80	70	76	55	66	77	77	67	73	52	63	63	63	49	49					
			Array Edge	81	81	76	81	61	72	81	81	72	77	56	68	78	78	68	74	53	64	75	75	64	71	50	60	82	82	60	67	47	57	69	69	57	63	44	54	65	65	54	60	42	51	62	62	49	49				
		10 to 30	Array Interior	86	86	86	86	71	71	86	86	83	83	66	66	85	85	79	79	61	61	82	82	76	76	58	58	78	78	73	73	54	54	75	75	70	70	52	52	73	73	66	66	49	49	81	81	61	61	44	44		
			Array Edge	81	81	75	75	57	57	77	77	72	72	53	53	74	74	68	68	50	50	71	71	64	64	47	47	67	67	60	60	44	44	63	63	57	57	42	42	60	60	54	54	40	40	60	60	54	54	40	40		
D	0 to 3	Array Interior	83	80	72	72	62	62	83	77	68	68	57	57	83	73	64	64	54	54	83	70	60	60	50	50	82	66	56	56	48	48	81	62	53	53	45	45	78	59	51	51	43	43	67	48	41	41	35	35			
		Array Edge	83	69	59	59	50	50	82	65	55	55	47	47	79	60	52	52	44	44	76	57	49	49	41	41	73	53	46	46	39	39	70	51	43	43	37	37	67	48	41	41	35	35	67	48	41	41	35	35			
	3 to 10	Array Interior	83	83	82	83	69	79	83	83	78	83	64	75	83	83	75	80	60	72	82	82	72	77	56	68	78	78	68	74	53	64	76	76	64	71	50	60	73	73	61	68	47	57	63	63	49	49	55	39	47	57	
		Array Edge	81	81	71	77	56	67	77	77	67	73	52	63	74	74	62	69	48	59	71	71	58</																														









Maximum Rail Spans (Inches)			K2 Systems 48-X Flush-Mount Dual Rail, Enclosed Mono Slope Roof 0-30ft, 72 Cell(P) Rail Only																																											
Ground Snow Load	Exposure Category	Panel Angle	Wind Speed ->		140 mph						150 mph						160 mph						170 mph						180 mph						190 mph						200 mph					
			Roof Zone ->		1'	1	2'	2	3'	3	1'	1	2'	2	3'	3	1'	1	2'	2	3'	3	1'	1	2'	2	3'	3	1'	1	2'	2	3'	3	1'	1	2'	2	3'	3	1'	1	2'	2	3'	3
0 psf	B	0 to 3	Array Interior	90	77	69	69	58	58	90	74	64	64	54	54	89	70	60	60	50	50	85	66	56	56	47	47	81	62	53	53	44	44	78	58	50	50	42	42	75	55	47	47	40	40	
			Array Edge	84	65	55	55	47	47	80	60	52	52	43	43	76	56	48	48	41	41	73	53	45	45	38	38	70	50	43	43	36	36	66	47	40	40	34	34	62	45	38	38	32	32	
		3 to 10	Array Interior	90	90	79	85	64	76	86	86	75	81	60	72	82	82	72	77	56	68	79	79	68	74	52	64	75	75	64	71	49	60	73	73	60	67	47	57	70	70	57	64	44	54	
			Array Edge	78	78	67	74	52	63	74	74	62	70	48	59	71	71	58	65	45	55	67	67	55	61	42	51	63	63	51	57	40	48	59	59	49	54	38	46	56	56	46	51	36	43	
		10 to 30	Array Interior	85	85	79	79	61	61	81	81	75	75	56	56	77	77	72	72	53	53	74	74	68	68	49	49	71	71	64	64	47	47	67	67	60	60	44	44	63	63	57	57	42	42	
			Array Edge	73	73	67	67	49	49	69	69	62	62	46	46	65	65	58	58	43	43	61	61	55	55	40	40	57	57	51	51	38	38	54	54	49	49	36	36	51	51	46	46	34	34	
	C	0 to 3	Array Interior	86	67	57	57	48	48	82	63	53	53	45	45	78	59	50	50	42	42	75	55	47	47	39	39	72	52	44	44	37	37	68	49	42	42	35	35	65	46	40	40	33	33	
			Array Edge	74	54	46	46	39	39	71	51	43	43	36	36	66	47	40	40	34	34	62	44	38	38	32	32	58	42	36	36	30	30	55	40	34	34	29	29	52	38	32	32	27	27	
		3 to 10	Array Interior	80	80	70	75	54	65	76	76	65	72	50	61	73	73	60	67	47	57	69	69	57	63	44	53	65	65	53	60	41	50	61	61	50	56	39	47	58	58	48	53	37	45	
			Array Edge	69	69	56	63	44	53	64	64	52	58	41	49	59	59	49	54	38	46	56	56	46	51	36	43	53	53	43	48	34	41	50	50	41	45	32	38	47	47	39	43	30	36	
		10 to 30	Array Interior	75	75	69	69	51	51	72	72	64	64	47	47	67	67	60	60	44	44	63	63	57	57	41	41	59	59	53	53	39	39	56	56	50	50	37	37	53	53	48	48	35	35	
			Array Edge	62	62	56	56	41	41	58	58	52	52	38	38	54	54	49	49	36	36	51	51	46	46	34	34	48	48	43	43	32	32	45	45	41	41	30	30	43	43	39	39	28	28	
D	0 to 3	Array Interior	81	62	53	53	44	44	77	57	49	49	41	41	74	54	46	46	39	39	70	50	43	43	36	36	66	47	40	40	34	34	63	45	38	38	32	32	59	42	36	36	31	31		
		Array Edge	70	50	43	43	36	36	65	46	40	40	33	33	60	43	37	37	31	31	57	41	35	35	29	29	53	38	33	33	28	28	50	36	31	31	26	26	48	34	29	29	25	25		
	3 to 10	Array Interior	75	75	64	71	49	60	72	72	59	66	46	56	67	67	55	62	43	52	63	63	52	58	40	49	59	59	49	54	38	46	56	56	46	51	36	43	53	53	44	49	34	41		
		Array Edge	63	63	51	57	40	48	58	58	48	53	37	45	54	54	45	50	35	42	51	51	42	47	33	40	48	48	40	44	31	37	45	45	37	42	29	35	43	43	35	40	28	33		
	10 to 30	Array Interior	71	71	63	63	46	46	66	66	59	59	43	43	61	61	55	55	40	40	58	58	52	52	38	38	54	54	49	49	36	36	51	51	46	46	34	34	49	49	44	44	32	32		
		Array Edge	57	57	51	51	38	38	53	53	48	48	35	35	50	50	45	45	33	33	47	47	42	42	31	31	44	44	40	40	29	29	42	42	37	37	28	28	39	39	35	35	26	26		
5 psf	B	0 to 3	Array Interior	87	77	69	69	58	58	87	74	64	64	54	54	87	70	60	60	50	50	85	66	56	56	47	47	81	62	53	53	44	44	78	58	50	50	42	42	75	55	47	47	40	40	
			Array Edge	84	65	55	55	47	47	80	60	52	52	43	43	76	56	48	48	41	41	73	53	45	45	38	38	70	50	43	43	36	36	66	47	40	40	34	34	62	45	38	38	32	32	
		3 to 10	Array Interior	87	87	79	85	64	76	86	86	75	81	60	72	82	82	72	77	56	68	79	79	68	74	52	64	75	75	64	71	49	60	73	73	60	67	47	57	70	70	57	64	44	54	
			Array Edge	78	78	67	74	52	63	74	74	62	70	48	59	71	71	58	65	45	55	67	67	55	61	42	51	63	63	51	57	40	48	59	59	49	54	38	46	56	56	46	51	36	43	
		10 to 30	Array Interior	85	85	79	79	61	61	81	81	75	75	56	56	77	77	72	72	53	53	74	74	68	68	49	49	71	71	64	64	47	47	67	67	60	60	44	44	63	63	57	57	42	42	
			Array Edge	73	73	67	67	49	49	69	69	62	62	46	46	65	65	58	58	43	43	61	61	55	55	40	40	57	57	51	51	38	38	54	54	49	49	36	36	51	51	46	46	34	34	
	C	0 to 3	Array Interior	86	67	57	57	48	48	82	63	53	53	45	45	78	59	50	50	42	42	75	55	47	47	39	39	72	52	44	44	37	37	68	49	42	42	35	35	65	46	40	40	33	33	
			Array Edge	74	54	46	46	39	39	71	51	43	43	36	36	66	47	40	40	34	34	62	44	38	38	32	32	58	42	36	36	30	30	55	40	34	34	29	29	52	38	32	32	27	27	
		3 to 10	Array Interior	80	80	70	75	54	65	76	76	65	72	50	61	73	73	60	67	47	57	69	69	57	63	44	53	65	65	53	60	41	50	61	61	50	56	39	47	58	58	48	53	37	45	
			Array Edge	69	69	56	63	44	53	64	64	52	58	41	49	59	59	49	54	38	46	56	56	46	51	36	43	53	53	43	48	34	41	50	50	41	45	32	38	47	47	39	43	30	36	
		10 to 30	Array Interior	75	75	69	69	51	51	72	72	64	64	47	47	67	67	60	60	44	44	63	63	57	57	41	41	59	59	53	53	39	39	56	56	50	50	37	37	53	53	48	48	35	35	
			Array Edge	62	62	56	56	41	41	58	58	52	52	38	38	54	54	49	49	36	36	51	51	46	46	34	34	48	48	43	43	32	32	45	45	41	41	30	30	43	43	39	39	28	28	
D	0 to 3	Array Interior	81	62	53	53	44	44	77	57	49	49	41	41	74	54	46	46	39	39	70	50	43	43	36	36	66	47	40	40	34	34	63	45	38	38	32	32	59	42	36	36	31	31		
		Array Edge	70	50	43	43	36	36	65	46	40	40	33	33	60	43	37	37	31	31	57	41	35	35	29	29	53	38	33	33	28	28	50	36	31	31	26	26	48	34	29	29	25	25		
	3 to 10	Array Interior	75	75	64	71	49	60	72	72	59	66	46	56	67	67	55	62	43	52	63	63	52	58	40	49	59	59	49	54	38	46	56	56	46	51	36	43	53	53	44	49	34	41		
		Array Edge	63	63	51	57	40	48	58	58	48	53	37	45	54	54	45	50	35	42	51	51	42	47	33	40	48	48	40	44	31	37	45	45	37	42	29	35	43	43	35	40	28	33		
	10 to 30	Array Interior	71	71	63	63	46	46	66	66	59	59	43	43	61	61	55	55	40	40	58	58	52	52	38	38	54	54	49	49	36	36	51	51	46	46	34	34	49	49	44	44	32	32		
		Array Edge	57	57	51	51	38	38	53	53	48	48	35	35	50	50	45	45	33	33	47	47	42	42	31	31	44	44	40	40	29	29	42	42	37	37	28	28	39	39	35	35	26	26		
10 psf	B	0 to 3	Array Interior	80	67	57	57	48	48	80	74	64	64	54	54	80	70	60	60	50	50	80	66	56	56	47	47	80	62	53	53	44	44	78	58	50	50	42	42	75	55	47	47	40	40	
			Array Edge	80	65	55	55</																																							



Maximum Rail Spans (Inches)			K2 Systems 48-X Flush-Mount Dual Rail, Enclosed Mono Slope Roof 0-30ft, 72 Cell(P) Rail Only																																												
Ground Snow Load	Exposure Category	Panel Angle	Wind Speed ->		140 mph					150 mph					160 mph					170 mph					180 mph					190 mph					200 mph												
			Roof Zone ->		1'	1	2'	2	3'	3	1'	1	2'	2	3'	3	1'	1	2'	2	3'	3	1'	1	2'	2	3'	3	1'	1	2'	2	3'	3	1'	1	2'	2	3'	3	1'	1	2'	2	3'	3	
20 psf	B	0 to 3	Array Interior	70	70	69	69	58	58	70	70	64	64	54	54	70	70	60	60	50	50	70	66	56	56	47	47	70	62	53	53	44	44	70	58	50	50	42	42	70	55	47	47	40	40		
			Array Edge	70	65	55	55	47	47	70	60	52	52	43	43	70	56	48	48	41	41	70	53	45	45	38	38	70	50	43	43	36	36	66	47	40	40	34	34	62	45	38	38	32	32		
		3 to 10	Array Interior	71	71	71	71	64	71	71	71	62	71	60	71	71	71	68	71	56	68	71	68	71	52	64	71	63	71	64	71	49	60	71	71	60	67	47	57	70	70	57	64	44	54		
			Array Edge	71	71	67	71	52	63	71	71	62	70	48	59	71	71	58	65	45	55	67	67	55	61	42	51	63	63	51	57	40	48	59	59	49	54	38	46	56	56	46	51	36	43		
		10 to 30	Array Interior	80	80	79	79	61	61	80	80	75	75	56	56	77	77	72	72	53	53	74	74	68	68	49	49	71	71	64	64	47	47	67	67	60	60	44	44	63	63	57	57	42	42		
			Array Edge	73	73	67	67	49	49	69	69	62	62	46	46	65	65	58	58	43	43	61	61	55	55	40	40	57	57	51	51	38	38	54	54	49	49	36	36	51	51	46	46	34	34		
	C	0 to 3	Array Interior	70	70	69	69	58	58	70	70	63	63	53	53	45	45	70	59	50	50	42	42	70	55	47	47	39	39	70	52	44	44	37	37	68	49	42	42	35	35	65	46	40	40	33	33
			Array Edge	70	54	46	46	39	39	70	51	43	43	36	36	66	47	40	40	34	34	62	44	38	38	32	32	58	42	36	36	30	30	55	40	34	34	29	29	52	38	32	32	27	27		
		3 to 10	Array Interior	71	71	70	71	54	65	71	71	65	71	50	61	71	71	60	67	47	57	69	69	57	63	44	53	65	65	53	60	41	50	61	61	50	56	39	47	58	58	48	53	37	45		
			Array Edge	69	69	56	63	44	53	64	64	52	58	41	49	59	59	49	54	38	46	56	56	46	51	36	43	53	53	43	48	34	41	50	50	41	45	32	38	47	47	39	43	30	36		
		10 to 30	Array Interior	75	75	69	69	51	51	72	72	64	64	47	47	67	67	60	60	44	44	63	63	57	57	41	41	59	59	53	53	39	39	56	56	50	50	37	37	53	53	48	48	35	35		
			Array Edge	62	62	56	56	41	41	58	58	52	52	38	38	54	54	49	49	36	36	51	51	46	46	34	34	48	48	43	43	32	32	45	45	41	41	30	30	43	43	39	39	28	28		
D	0 to 3	Array Interior	70	70	69	69	58	58	70	70	64	64	54	54	70	70	60	60	50	50	70	66	56	56	47	47	70	62	53	53	44	44	70	58	50	50	42	42	70	55	47	47	40	40			
		Array Edge	70	50	43	43	36	36	65	46	40	40	33	33	60	43	37	37	31	31	57	41	35	35	29	29	53	38	33	33	28	28	50	36	31	31	26	26	48	34	29	29	25	25			
	3 to 10	Array Interior	71	71	64	71	49	60	71	71	59	66	46	56	67	67	55	62	43	52	63	63	52	58	40	49	59	59	49	54	38	46	56	56	46	51	36	43	53	53	44	49	34	41			
		Array Edge	63	63	51	57	40	48	58	58	48	53	37	45	54	54	45	50	35	42	51	51	42	47	33	40	48	48	40	44	31	37	45	45	37	42	29	35	43	43	35	40	28	33			
	10 to 30	Array Interior	71	71	63	63	46	46	66	66	59	59	43	43	61	61	55	55	40	40	58	58	52	52	38	38	54	54	49	49	36	36	51	51	46	46	34	34	49	49	44	44	32	32			
		Array Edge	57	57	51	51	38	38	53	53	48	48	35	35	50	50	45	45	33	33	47	47	42	42	31	31	44	44	40	40	29	29	42	42	37	37	28	28	39	39	35	35	26	26			
25 psf	B	0 to 3	Array Interior	70	70	69	69	58	58	70	70	64	64	54	54	70	70	60	60	50	50	70	66	56	56	47	47	70	62	53	53	44	44	70	58	50	50	42	42	70	55	47	47	40	40		
			Array Edge	70	65	55	55	47	47	70	60	52	52	43	43	70	56	48	48	41	41	70	53	45	45	38	38	70	50	43	43	36	36	66	47	40	40	34	34	62	45	38	38	32	32		
		3 to 10	Array Interior	71	71	71	71	64	71	71	71	62	71	60	71	71	71	68	71	56	68	71	68	71	52	64	71	63	71	64	71	49	60	71	71	60	67	47	57	70	70	57	64	44	54		
			Array Edge	71	71	67	71	52	63	71	71	62	70	48	59	71	71	58	65	45	55	67	67	55	61	42	51	63	63	51	57	40	48	59	59	49	54	38	46	56	56	46	51	36	43		
		10 to 30	Array Interior	77	77	77	77	61	61	77	77	75	75	56	56	77	77	72	72	53	53	74	74	68	68	49	49	71	71	64	64	47	47	67	67	60	60	44	44	63	63	57	57	42	42		
			Array Edge	73	73	67	67	49	49	69	69	62	62	46	46	65	65	58	58	43	43	61	61	55	55	40	40	57	57	51	51	38	38	54	54	49	49	36	36	51	51	46	46	34	34		
	C	0 to 3	Array Interior	70	70	69	69	58	58	70	70	63	63	53	53	45	45	70	59	50	50	42	42	70	55	47	47	39	39	70	52	44	44	37	37	68	49	42	42	35	35	65	46	40	40	33	33
			Array Edge	70	54	46	46	39	39	70	51	43	43	36	36	66	47	40	40	34	34	62	44	38	38	32	32	58	42	36	36	30	30	55	40	34	34	29	29	52	38	32	32	27	27		
		3 to 10	Array Interior	71	71	70	71	54	65	71	71	65	71	50	61	71	71	60	67	47	57	69	69	57	63	44	53	65	65	53	60	41	50	61	61	50	56	39	47	58	58	48	53	37	45		
			Array Edge	69	69	56	63	44	53	64	64	52	58	41	49	59	59	49	54	38	46	56	56	46	51	36	43	53	53	43	48	34	41	50	50	41	45	32	38	47	47	39	43	30	36		
		10 to 30	Array Interior	75	75	69	69	51	51	72	72	64	64	47	47	67	67	60	60	44	44	63	63	57	57	41	41	59	59	53	53	39	39	56	56	50	50	37	37	53	53	48	48	35	35		
			Array Edge	62	62	56	56	41	41	58	58	52	52	38	38	54	54	49	49	36	36	51	51	46	46	34	34	48	48	43	43	32	32	45	45	41	41	30	30	43	43	39	39	28	28		
D	0 to 3	Array Interior	70	70	69	69	58	58	70	70	64	64	54	54	70	70	60	60	50	50	70	66	56	56	47	47	70	62	53	53	44	44	70	58	50	50	42	42	70	55	47	47	40	40			
		Array Edge	70	50	43	43	36	36	65	46	40	40	33	33	60	43	37	37	31	31	57	41	35	35	29	29	53	38	33	33	28	28	50	36	31	31	26	26	48	34	29	29	25	25			
	3 to 10	Array Interior	71	71	64	71	49	60	71	71	59	66	46	56	67	67	55	62	43	52	63	63	52	58	40	49	59	59	49	54	38	46	56	56	46	51	36	43	53	53	44	49	34	41			
		Array Edge	63	63	51	57	40	48	58	58	48	53	37	45	54	54	45	50	35	42	51	51	42	47	33	40	48	48	40	44	31	37	45	45	37	42	29	35	43	43	35	40	28	33			
	10 to 30	Array Interior	71	71	63	63	46	46	66	66	59	59	43	43	61	61	55	55	40	40	58	58	52	52	38	38	54	54	49	49	36	36	51	51	46	46	34	34	49	49	44	44	32	32			
		Array Edge	57	57	51	51	38	38	53	53	48	48	35	35	50	50	45	45	33	33	47	47	42	42	31	31	44	44	40	40	29	29	42	42	37	37	28	28	39	39	35	35	26	26			
30 psf	B	0 to 3	Array Interior	69	69	69	69	58	58	69	69	64	64	54	54	50	69	69	60	60	50	50	69	66	56	56	47	47	69	62	53	53	44	44	69	58	50	50	42	42	69	55	47	47	40	40	



Maximum Rail Spans (Inches)			K2 Systems 48-X Flush-Mount Dual Rail, Enclosed Mono Slope Roof 0-30ft, 72 Cell(P) Rail Only																																																
Ground Snow Load	Exposure Category	Panel Angle	Wind Speed ->		140 mph					150 mph					160 mph					170 mph					180 mph					190 mph					200 mph																
			Roof Zone ->		1'	1	2'	2	3'	3	1'	1	2'	2	3'	3	1'	1	2'	2	3'	3	1'	1	2'	2	3'	3	1'	1	2'	2	3'	3	1'	1	2'	2	3'	3	1'	1	2'	2	3'	3					
40 psf	B	0 to 3	Array Interior	63	63	63	63	58	58	63	63	63	63	54	54	63	63	60	60	50	50	63	63	56	56	47	47	63	62	53	53	44	44	63	58	50	50	42	42	63	55	47	47	40	40	62	45	38	38	32	32
			Array Edge	63	63	55	55	47	47	63	60	52	52	43	43	63	56	48	48	41	41	63	53	45	45	38	38	63	50	43	43	36	36	63	47	40	40	34	34	62	45	38	38	32	32						
		3 to 10	Array Interior	64	64	64	64	64	64	64	64	64	64	64	60	64	64	64	64	56	64	64	64	64	52	64	64	64	64	64	64	64	49	60	64	60	64	47	57	64	56	46	57	64	44	54	64	44	54		
			Array Edge	64	64	64	64	52	63	64	64	64	62	64	48	59	64	64	58	64	45	55	64	64	55	61	42	51	63	63	51	57	40	48	59	59	49	54	38	46	56	56	46	51	36	43					
		10 to 30	Array Interior	70	70	70	70	61	61	70	70	70	70	56	56	70	70	70	53	53	70	67	68	68	49	49	70	70	64	64	47	47	67	60	60	60	44	44	63	63	57	57	42	42	61	51	46	46	34	34	
			Array Edge	70	70	67	67	49	49	69	69	62	62	46	46	65	65	58	58	43	43	70	61	55	55	40	40	70	57	51	51	38	38	57	57	51	51	38	38	54	54	49	49	36	36	53	51	46	46	34	34
	C	0 to 3	Array Interior	63	63	57	57	48	48	63	63	53	53	45	45	63	59	50	50	42	42	63	55	47	47	39	39	63	52	44	44	37	37	63	49	42	42	35	35	62	46	40	40	33	33						
			Array Edge	63	54	46	46	39	39	63	51	43	43	36	36	63	47	40	40	34	34	62	44	38	38	32	32	58	42	36	36	30	30	55	40	34	34	29	29	52	38	32	32	27	27						
		3 to 10	Array Interior	64	64	64	64	54	64	64	64	64	64	50	61	64	64	60	64	47	57	64	64	57	63	44	53	64	64	53	60	41	50	61	61	50	56	39	47	58	58	48	53	37	45	64	44	54			
			Array Edge	64	64	56	63	44	53	64	64	52	58	41	49	59	59	49	54	38	46	56	56	46	51	36	43	53	53	43	48	34	41	50	50	41	45	32	38	47	47	39	43	30	36						
		10 to 30	Array Interior	70	70	69	69	51	51	70	70	64	64	47	47	67	67	60	60	44	44	63	63	57	57	41	41	59	59	53	53	39	39	56	56	50	50	37	37	53	53	48	48	35	35	63	43	39	28	28	
			Array Edge	62	62	56	56	41	41	58	58	52	52	38	38	54	54	49	49	36	36	51	51	46	46	34	34	48	48	43	43	32	32	45	45	41	41	30	30	43	43	39	39	28	28						
D	0 to 3	Array Interior	66	62	53	53	44	44	66	57	49	49	41	41	66	54	46	46	39	39	66	50	43	43	36	36	65	47	40	40	34	34	63	45	38	38	32	32	59	42	36	36	31	31							
		Array Edge	66	50	43	43	36	36	65	46	40	40	33	33	60	43	37	37	31	31	57	41	35	35	29	29	53	38	33	33	28	28	50	36	31	31	26	26	48	34	29	29	25	25							
	3 to 10	Array Interior	66	66	64	66	49	60	66	66	59	66	46	56	66	66	55	62	43	52	63	63	52	58	40	49	59	59	49	54	38	46	56	56	46	51	36	43	53	53	44	49	34	41	63	43	35	40	28	33	
		Array Edge	63	63	51	57	40	48	58	58	48	53	37	45	54	54	45	50	35	42	51	51	42	47	33	40	48	48	40	44	31	37	45	45	37	42	29	35	43	43	35	40	28	33							
	10 to 30	Array Interior	71	71	63	63	46	46	66	66	59	59	43	43	61	61	55	55	40	40	58	58	52	52	38	38	54	54	49	49	36	36	51	51	46	46	34	34	49	49	44	44	32	32	63	43	35	35	26	26	
		Array Edge	57	57	51	51	38	38	53	53	48	48	35	35	50	50	45	45	33	33	47	47	42	42	31	31	44	44	40	40	29	29	42	42	37	37	28	28	39	39	35	35	26	26							
45 psf	B	0 to 3	Array Interior	60	60	60	60	58	58	60	60	60	60	54	54	60	60	60	50	50	60	60	56	56	47	47	60	60	53	53	44	44	60	58	50	50	42	42	60	55	47	47	40	40	62	45	38	38	32	32	
			Array Edge	60	60	55	55	47	47	60	60	52	52	43	43	60	56	48	48	41	41	60	53	45	45	38	38	60	50	43	43	36	36	60	47	40	40	34	34	60	45	38	38	32	32						
		3 to 10	Array Interior	61	61	61	61	61	61	61	61	61	61	60	61	61	61	61	56	61	61	61	61	52	61	61	61	61	61	61	61	49	60	61	61	60	61	47	57	61	61	57	61	44	54	61	44	54			
			Array Edge	61	61	61	61	52	61	61	61	61	48	59	61	61	58	61	45	55	61	61	55	61	42	51	61	61	51	57	40	48	59	59	49	54	38	46	56	56	46	51	36	43							
		10 to 30	Array Interior	67	67	67	67	61	61	67	67	67	67	56	56	67	67	67	53	53	67	67	67	67	49	49	67	67	64	64	47	47	67	60	60	60	44	44	63	63	57	57	42	42	61	51	46	46	34	34	
			Array Edge	67	67	67	67	49	49	67	67	62	62	46	46	65	65	58	58	43	43	61	61	55	55	40	40	57	57	51	51	38	38	54	54	49	49	36	36	51	51	46	46	34	34						
	C	0 to 3	Array Interior	60	60	57	57	48	48	60	60	53	53	45	45	60	59	50	50	42	42	60	55	47	47	39	39	60	52	44	44	37	37	60	49	42	42	35	35	60	46	40	40	33	33						
			Array Edge	60	54	46	46	39	39	60	51	43	43	36	36	60	47	40	40	34	34	59	44	38	38	32	32	58	42	36	36	30	30	55	40	34	34	29	29	52	38	32	32	27	27						
		3 to 10	Array Interior	61	61	61	61	54	61	61	61	61	61	50	61	61	61	61	47	57	61	61	61	44	53	61	61	53	60	41	50	61	61	50	56	39	47	58	58	48	53	37	45	63	43	39	39	28	33		
			Array Edge	61	61	56	61	44	53	61	61	52	58	41	49	59	59	49	54	38	46	56	56	46	51	36	43	53	53	43	48	34	41	50	50	41	45	32	38	47	47	39	43	30	36						
		10 to 30	Array Interior	67	67	67	67	51	51	67	67	64	64	47	47	67	67	60	60	44	44	63	63	57	57	41	41	59	59	53	53	39	39	56	56	50	50	37	37	53	53	48	48	35	35	63	43	39	28	28	
			Array Edge	62	62	56	56	41	41	58	58	52	52	38	38	54	54	49	49	36	36	51	51	46	46	34	34	48	48	43	43	32	32	45	45	41	41	30	30	43	43	39	39	28	28						
D	0 to 3	Array Interior	63	62	53	53	44	44	63	57	49	49	41	41	63	54	46	46	39	39	63	50	43	43	36	36	63	47	40	40	34	34	62	45	38	38	32	32	59	42	36	36	31	31							
		Array Edge	63	50	43	43	36	36	62	46	40	40	33	33	60	43	37	37	31	31	57	41	35	35	29	29	53	38	33	33	28	28	50	36	31	31	26	26	48	34	29	29	25	25							
	3 to 10	Array Interior	64	64	64	64	49	60	64	64	59	64	46	56	64	64	55	62	43	52	63	63	52	58	40	49	59	59	49	54	38	46	56	56	46	51	36	43	53	53	44	49	34	41	63	43	35	40	28	33	
		Array Edge	63	63	51	57	40	48	58	58	48	53	37	45	54	54	45	50	35	42	51	51	42	47	33	40	48	48	40	44	31	37	45	45	37	42	29	35	43	43	35	40	28	33							
	10 to 30	Array Interior	70	70	63	63	46	46	66	66	59	59	43	43	61	61	55	55	40	40	58	58	52	52	38	38	54	54	49	49	36	36	51	51	46	46	34	34	49	49	44	44	32	32	63	43	35	35	26	26	
		Array Edge	57	57	51	51	38	38	53	53	48	48	35	35	50	50	45	45	33	33	47	47	42	42</																											





Maximum Rail Spans (Inches)			K2 Syste K2 Systems 48-X Flush-Mount Dual Rail, Enclosed Mono Slope Roof 30-60ft, 72 Cell(L) Rail Only																																																						
Ground Snow Load	Exposure Category	Panel Angle	Wind Speed ->		95 mph						100 mph						105 mph						110 mph						115 mph						120 mph						130 mph																
			Roof Zone ->		1'	1	2'	2	3'	3	1'	1	2'	2	3'	3	1'	1	2'	2	3'	3	1'	1	2'	2	3'	3	1'	1	2'	2	3'	3	1'	1	2'	2	3'	3	1'	1	2'	2	3'	3											
0 psf	B	0 to 3	Array Interior	112	112	107	107	95	95	112	112	103	103	91	91	112	111	99	99	88	88	112	107	96	96	85	85	112	104	93	93	82	82	112	101	90	90	80	80	112	95	85	85	76	76												
			Array Edge	112	103	92	92	82	82	112	99	89	89	79	79	112	96	86	86	76	76	112	92	83	83	74	74	112	89	80	80	72	72	110	87	78	78	69	69	103	82	74	74	63	63												
		3 to 10	Array Interior	112	112	112	112	102	112	112	112	112	109	88	112	112	112	112	95	109	112	112	110	112	92	105	112	112	106	112	89	101	112	112	103	111	86	98	111	111	97	105	81	93	111	91	81	80	71	83							
			Array Edge	112	112	105	112	88	101	112	112	101	109	85	97	112	112	98	105	82	94	108	108	94	102	79	90	105	105	91	99	77	88	102	102	89	96	75	85	96	96	84	90	71	80	112	93	83	83	67	67						
		10 to 30	Array Interior	113	113	113	113	98	98	113	113	113	113	94	94	113	113	113	113	91	91	113	113	109	109	88	88	113	113	106	106	85	85	110	110	102	102	83	83	104	104	96	96	78	78	104	90	83	83	67	67						
			Array Edge	113	113	105	105	84	84	109	109	101	101	81	81	105	105	97	97	79	79	101	101	94	94	76	76	98	98	91	91	74	74	95	95	88	88	72	72	90	90	83	83	67	67	104	90	83	83	67	67						
	C	0 to 3	Array Interior	112	107	96	96	85	85	112	103	92	92	82	82	112	100	89	89	79	79	112	96	86	86	77	77	112	93	84	84	74	74	112	90	81	81	72	72	108	85	77	77	67	67	108	85	77	77	67	67						
			Array Edge	112	92	83	83	74	74	112	89	80	80	71	71	108	86	77	77	68	68	105	83	75	75	65	65	101	81	72	72	62	62	98	78	70	70	59	59	93	74	65	65	54	54	93	74	65	65	54	54						
		3 to 10	Array Interior	112	112	110	112	92	105	112	112	106	112	88	101	112	112	102	110	85	97	112	112	98	106	83	94	109	109	95	103	80	91	106	106	92	100	78	88	100	100	87	94	73	84	100	87	94	73	84	100	87	94	73	84		
			Array Edge	108	108	94	102	79	90	104	104	91	98	77	87	101	101	88	95	74	84	97	97	85	91	72	81	94	94	82	89	69	79	91	91	80	86	66	77	86	86	75	81	61	72	86	86	75	81	61	72	86	86	75	81	61	72
		10 to 30	Array Interior	113	113	109	109	88	88	113	113	105	105	85	85	109	109	101	101	82	82	106	106	98	98	79	79	102	102	95	95	77	77	99	99	92	92	75	75	96	96	87	87	71	71	96	96	87	87	71	71	96	96	87	87	71	71
			Array Edge	101	101	94	94	76	76	98	98	91	91	74	74	94	94	88	88	71	71	91	91	85	85	68	68	88	88	82	82	65	65	86	86	80	80	62	62	81	81	75	75	57	57	81	81	75	75	57	57	81	81	75	75	57	57
D	0 to 3	Array Interior	112	102	91	91	81	81	112	98	88	88	78	78	112	95	85	85	75	75	112	91	82	82	73	73	112	89	80	80	71	71	108	86	77	77	68	68	102	81	73	73	62	62	102	81	73	73	62	62							
		Array Edge	111	88	79	79	70	70	107	85	76	76	66	66	103	82	74	74	63	63	99	79	71	71	60	60	96	77	68	68	57	57	93	74	65	65	55	55	88	70	60	60	51	51	88	70	60	60	51	51							
	3 to 10	Array Interior	112	112	104	112	87	100	112	112	100	108	84	96	111	111	97	104	81	93	107	107	93	101	79	90	104	104	90	98	76	87	101	101	88	95	74	84	95	95	83	89	70	80	95	83	89	70	80	95	83	89	70	80			
		Array Edge	103	103	90	97	76	86	99	99	86	93	73	83	96	96	84	90	70	80	92	92	81	87	67	78	89	89	78	84	64	75	87	87	76	82	61	73	82	82	72	77	56	68	82	82	72	77	56	68							
	10 to 30	Array Interior	112	112	104	104	84	84	108	108	100	100	81	81	104	104	96	96	78	78	100	100	93	93	75	75	97	97	90	90	73	73	94	94	88	88	71	71	89	89	83	83	66	66	89	89	83	83	66	66	89	89	83	83	66	66	
		Array Edge	96	96	89	89	73	73	93	93	86	86	70	70	90	90	83	83	66	66	87	87	81	81	63	63	84	84	78	78	60	60	82	82	76	76	58	58	77	77	72	72	53	53	77	77	72	72	53	53	77	77	72	72	53	53	
5 psf	B	0 to 3	Array Interior	108	108	107	107	95	95	108	108	103	103	91	91	108	108	99	99	88	88	108	107	96	96	85	85	108	104	93	93	82	82	108	101	90	90	80	80	108	95	85	85	76	76	108	95	85	85	76	76						
			Array Edge	108	103	92	92	82	82	108	99	89	89	79	79	108	96	86	86	76	76	108	92	83	83	74	74	108	89	80	80	72	72	108	87	78	78	69	69	103	82	74	74	63	63	103	82	74	74	63	63						
		3 to 10	Array Interior	108	108	108	108	102	108	108	108	108	98	108	108	108	108	108	108	95	108	108	108	108	92	105	108	108	106	108	89	101	108	108	103	108	86	98	108	108	97	105	81	93	108	108	97	105	81	93	108	108	97	105	81	93	
			Array Edge	108	108	105	108	88	101	108	108	101	108	85	97	108	108	98	105	82	94	108	108	94	102	79	90	105	105	91	99	77	88	102	102	89	96	75	85	96	96	84	90	71	80	102	102	89	96	75	85	96	96	84	90	71	80
		10 to 30	Array Interior	113	113	113	113	98	98	113	113	113	113	94	94	113	113	113	113	91	91	113	113	109	109	88	88	113	113	106	106	85	85	110	110	102	102	83	83	104	104	96	96	78	78	104	104	96	96	78	78	104	104	96	96	78	78
			Array Edge	113	113	105	105	84	84	109	109	101	101	81	81	105	105	97	97	79	79	101	101	94	94	76	76	98	98	91	91	74	74	95	95	88	88	72	72	90	90	83	83	67	67	90	90	83	83	67	67	90	90	83	83	67	67
	C	0 to 3	Array Interior	108	107	96	96	85	85	108	103	92	92	82	82	108	100	89	89	79	79	108	96	86	86	77	77	108	93	84	84	74	74	108	90	81	81	72	72	108	85	77	77	67	67	108	85	77	77	67	67						
			Array Edge	108	92	83	83	74	74	108	89	80	80	71	71	108	86	77	77	68	68	105	83	75	75	65	65	101	81	72	72	62	62	98	78	70	70	59	59	93	74	65	65	54	54	93	74	65	65	54	54						
		3 to 10	Array Interior	108	108	108	108	92	105	108	108	106	108	88	101	108	108	102	108	85	97	108	108	98	106	83	94	108	108	95	103	80	91	106	106	92	100	78	88	100	100	87	94	73	84	100	100	87	94	73	84	100	100	87	94	73	84
			Array Edge	108	108	94	102	79	90	104	104	91	98	77	87	101	101	88	95	74	84	97	97	85	91	72	81	94	94	82	89	69	79	91	91	80	86	66	77	86	86	75	81	61	72	86	86	75	81	61	72	86	86	75	81	61	72
		10 to 30	Array Interior	113	113	109	109	88	88	113	113	105	105	85	85	109	109	101	101	82	82	106	106	98	98	79	79	102	102	95	95	77	77	99	99	92	92	75	75	96	96	87	87	71	71	96	96	87	87	71	71	96	96	87	87	71	71
			Array Edge	101	101	94	94	76	76	98	98	91	91	74	74	94	94	88	88	71	71	91	91	85	85	68	68	88	88	82	82	65	65	86	86	80	80	62	62	81	81	75	75	57	57	81	81	75	75	57	57	81	81	75	75	57	57
D	0 to 3	Array Interior	108	102	91	91	81	81	108	98																																															



Maximum Rail Spans (Inches)			K2 Systems 48-X Flush-Mount Dual Rail, Enclosed Mono Slope Roof 30-60ft, 72 Cell(L) Rail Only																																										
Ground Snow Load	Exposure Category	Panel Angle	Wind Speed ->	140 mph						150 mph						160 mph						170 mph						180 mph						190 mph						200 mph					
			Roof Zone ->	1'	1	2'	2	3'	3	1'	1	2'	2	3'	3	1'	1	2'	2	3'	3	1'	1	2'	2	3'	3	1'	1	2'	2	3'	3	1'	1	2'	2	3'	3	1'	1	2'	2	3'	3
0 psf	B	0 to 3	Array Interior	112	90	81	81	72	72	108	85	77	77	67	67	103	82	73	73	63	63	98	78	70	70	59	59	94	75	66	66	56	56	91	72	63	63	53	53	87	69	59	59	50	50
			Array Edge	98	78	70	70	59	59	93	74	65	65	55	55	89	71	61	61	51	51	85	67	57	57	48	48	81	63	54	54	45	45	78	59	51	51	43	43	76	56	48	48	41	41
		3 to 10	Array Interior	105	105	92	99	77	88	100	100	87	94	74	84	95	95	83	90	70	80	91	91	80	86	66	77	88	88	77	83	62	74	84	84	74	79	59	71	81	81	71	77	56	67
			Array Edge	91	91	79	85	65	76	86	86	76	81	61	73	82	82	72	78	57	69	79	79	69	75	53	65	76	76	65	72	50	61	73	73	61	68	48	58	71	71	58	65	45	55
		10 to 30	Array Interior	99	99	91	91	74	74	94	94	87	87	71	71	90	90	83	83	66	66	86	86	80	80	62	62	82	82	77	77	59	59	79	79	74	74	55	55	77	77	71	71	53	53
			Array Edge	85	85	79	79	62	62	81	81	76	76	57	57	78	78	72	72	54	54	74	74	69	69	50	50	82	82	72	72	65	65	48	48	68	68	61	61	45	45	65	65	58	58
	C	0 to 3	Array Interior	102	81	73	73	62	62	97	77	69	69	58	58	92	74	64	64	54	54	88	74	60	60	51	51	85	67	57	57	48	48	82	63	54	54	45	45	79	60	51	51	43	43
			Array Edge	88	70	60	60	50	50	84	65	56	56	47	47	80	61	52	52	44	44	77	57	49	49	41	41	74	54	46	46	39	39	71	51	44	44	37	37	67	48	41	41	35	35
		3 to 10	Array Interior	95	95	83	89	69	79	90	90	79	85	64	75	86	86	75	81	60	72	82	82	72	78	57	68	79	79	69	74	53	65	76	76	65	72	50	61	73	73	62	69	48	58
			Array Edge	82	82	72	77	56	68	78	78	67	73	52	63	74	74	63	70	49	59	71	71	59	66	46	56	68	68	56	62	43	52	64	64	53	59	41	50	61	61	50	56	39	47
		10 to 30	Array Interior	89	89	82	82	65	65	84	84	79	79	61	61	81	81	75	75	57	57	77	77	72	72	53	53	74	74	68	68	50	50	72	72	65	65	48	48	68	68	61	61	45	45
			Array Edge	77	77	72	72	53	53	73	73	67	67	49	49	70	70	63	63	46	46	66	66	59	59	43	43	62	62	56	56	41	41	58	58	53	53	39	39	55	55	50	50	37	37
D	0 to 3	Array Interior	97	77	69	69	58	58	92	73	64	64	54	54	88	70	60	60	50	50	84	66	56	56	47	47	81	62	53	53	45	45	78	59	50	50	42	42	75	55	47	47	40	40	
		Array Edge	84	65	56	56	47	47	80	61	52	52	44	44	76	57	49	49	41	41	73	53	46	46	38	38	70	50	43	43	36	36	66	47	41	41	34	34	63	45	39	39	33	33	
	3 to 10	Array Interior	90	90	79	85	64	75	86	86	75	81	60	72	82	82	72	77	56	68	78	78	68	74	53	64	75	75	64	71	50	60	72	72	60	67	47	57	70	70	57	64	45	54	
		Array Edge	78	78	67	73	52	63	74	74	63	70	49	59	71	71	58	65	46	55	67	67	55	61	43	52	63	63	52	58	40	49	59	59	49	54	38	46	56	56	46	52	36	44	
	10 to 30	Array Interior	84	84	79	79	61	61	80	80	75	75	57	57	77	77	72	72	53	53	74	74	68	68	50	50	71	71	64	64	47	47	67	67	60	60	44	44	64	64	57	57	42	42	
		Array Edge	73	73	67	67	49	49	69	69	62	62	46	46	65	65	58	58	43	43	61	61	55	55	40	40	58	58	52	52	38	38	54	54	49	49	36	36	52	52	46	46	34	34	
5 psf	B	0 to 3	Array Interior	108	90	81	81	72	72	108	85	77	77	67	67	103	82	73	73	63	63	98	78	70	70	59	59	94	75	66	66	56	56	91	72	63	63	53	53	87	69	59	59	50	50
			Array Edge	98	78	70	70	59	59	93	74	65	65	55	55	89	71	61	61	51	51	85	67	57	57	48	48	81	63	54	54	45	45	78	59	51	51	43	43	76	56	48	48	41	41
		3 to 10	Array Interior	105	105	92	99	77	88	100	100	87	94	74	84	95	95	83	90	70	80	91	91	80	86	66	77	88	88	77	83	62	74	84	84	74	79	59	71	81	81	71	77	56	67
			Array Edge	91	91	79	85	65	76	86	86	76	81	61	73	82	82	72	78	57	69	79	79	69	75	53	65	76	76	65	72	50	61	73	73	61	68	48	58	71	71	58	65	45	55
		10 to 30	Array Interior	99	99	91	91	74	74	94	94	87	87	71	71	90	90	83	83	66	66	86	86	80	80	62	62	82	82	77	77	59	59	79	79	74	74	55	55	77	77	71	71	53	53
			Array Edge	85	85	79	79	62	62	81	81	76	76	57	57	78	78	72	72	54	54	74	74	69	69	50	50	82	82	72	72	65	65	48	48	68	68	61	61	45	45	65	65	58	58
	C	0 to 3	Array Interior	102	81	73	73	62	62	97	77	69	69	58	58	92	74	64	64	54	54	88	74	60	60	51	51	85	67	57	57	48	48	82	63	54	54	45	45	79	60	51	51	43	43
			Array Edge	88	70	60	60	50	50	84	65	56	56	47	47	80	61	52	52	44	44	77	57	49	49	41	41	74	54	46	46	39	39	71	51	44	44	37	37	67	48	41	41	35	35
		3 to 10	Array Interior	95	95	83	89	69	79	90	90	79	85	64	75	86	86	75	81	60	72	82	82	72	78	57	68	79	79	69	74	53	65	76	76	65	72	50	61	73	73	62	69	48	58
			Array Edge	82	82	72	77	56	68	78	78	67	73	52	63	74	74	63	70	49	59	71	71	59	66	46	56	68	68	56	62	43	52	64	64	53	59	41	50	61	61	50	56	39	47
		10 to 30	Array Interior	89	89	82	82	65	65	84	84	79	79	61	61	81	81	75	75	57	57	77	77	72	72	53	53	74	74	68	68	50	50	72	72	65	65	48	48	68	68	61	61	45	45
			Array Edge	77	77	72	72	53	53	73	73	67	67	49	49	70	70	63	63	46	46	66	66	59	59	43	43	62	62	56	56	41	41	58	58	53	53	39	39	55	55	50	50	37	37
D	0 to 3	Array Interior	97	77	69	69	58	58	92	73	64	64	54	54	88	70	60	60	50	50	84	66	56	56	47	47	81	62	53	53	45	45	78	59	50	50	42	42	75	55	47	47	40	40	
		Array Edge	84	65	56	56	47	47	80	61	52	52	44	44	76	57	49	49	41	41	73	53	46	46	38	38	70	50	43	43	36	36	66	47	41	41	34	34	63	45	39	39	33	33	
	3 to 10	Array Interior	90	90	79	85	64	75	86	86	75	81	60	72	82	82	72	77	56	68	78	78	68	74	53	64	75	75	64	71	50	60	72	72	60	67	47	57	70	70	57	64	45	54	
		Array Edge	78	78	67	73	52	63	74	74	63	70	49	59	71	71	58	65	46	55	67	67	55	61	43	52	63	63	52	58	40	49	59	59	49	54	38	46	56	56	46	52	36	44	
	10 to 30	Array Interior	84	84	79	79	61	61	80	80	75	75	57	57	77	77	72	72	53	53	74	74	68	68	50	50	71	71	64	64	47	47	67	67	60	60	44	44	64	64	57	57	42	42	
		Array Edge	73	73	67	67	49	49	69	69	62	62	46	46	65	65	58	58	43	43	61	61	55	55	40	40	58	58	52	52	38	38	54	54	49	49	36	36	52	52	46	46	34	34	
10 psf	B	0 to 3	Array Interior	100	90	81	81	72	72	100	85	77	77	67	67	100	82	73	73	63	63	98	78	70	70	59	59	94	75	66	66	56	56	91	72	63	63	53	53	87	69	59	59	50	50



Maximum Rail Spans (Inches)			K2 Systems 48-X Flush-Mount Dual Rail, Enclosed Mono Slope Roof 30-60ft, 72 Cell(L) Rail Only																																										
Ground Snow Load	Exposure Category	Panel Angle	Wind Speed ->																																										
			140 mph						150 mph						160 mph						170 mph						180 mph						190 mph						200 mph						
			Roof Zone ->																																										
			1'	1	2'	2	3'	3	1'	1	2'	2	3'	3	1'	1	2'	2	3'	3	1'	1	2'	2	3'	3	1'	1	2'	2	3'	3	1'	1	2'	2	3'	3	1'	1	2'	2	3'	3	
20 psf	B	0 to 3	Array Interior	89	89	81	81	72	72	89	85	77	77	67	67	89	82	73	73	63	63	89	78	70	70	59	59	89	75	66	66	56	56	89	72	63	63	53	53	87	69	59	59	50	50
			Array Edge	89	78	70	70	59	59	89	74	65	65	55	55	89	71	61	61	51	51	85	67	57	57	48	48	81	63	54	54	45	45	78	59	51	51	43	43	76	56	48	48	41	41
		3 to 10	Array Interior	89	89	89	89	77	88	89	89	87	89	74	84	89	89	83	89	70	80	89	89	80	86	66	77	88	88	77	83	62	74	84	84	74	79	59	71	81	81	71	77	56	67
			Array Edge	89	89	79	85	65	76	86	86	76	81	61	73	82	82	72	78	57	69	79	79	69	75	53	65	76	76	65	72	50	61	73	73	61	68	48	58	71	71	58	65	45	55
		10 to 30	Array Interior	99	99	91	91	74	74	94	94	87	87	71	71	90	90	83	83	66	66	86	86	80	80	62	62	82	82	77	77	59	59	79	79	74	74	55	55	77	77	71	71	53	53
			Array Edge	85	85	79	79	62	62	81	81	76	76	57	57	78	78	72	72	54	54	74	74	69	69	50	50	82	82	72	65	48	48	68	68	61	61	45	45	65	65	58	58	43	43
	C	0 to 3	Array Interior	89	81	73	73	62	62	89	77	69	69	58	58	89	74	64	64	54	54	88	71	60	60	51	51	85	67	57	57	48	48	82	63	54	54	45	45	79	60	51	51	43	43
			Array Edge	88	70	60	60	50	50	84	65	56	56	47	47	80	61	52	52	44	44	77	57	49	49	41	41	74	54	46	46	39	39	71	51	44	44	37	37	67	48	41	41	35	35
		3 to 10	Array Interior	89	89	83	89	69	79	89	89	79	85	64	75	86	86	75	81	60	72	82	82	72	78	57	68	79	79	69	74	53	65	76	76	65	72	50	61	73	73	62	69	48	58
			Array Edge	82	82	72	77	56	68	78	78	67	73	52	63	74	74	63	70	49	59	71	71	59	66	46	56	68	68	56	62	43	52	64	64	53	59	41	50	61	61	50	56	39	47
		10 to 30	Array Interior	89	89	82	82	65	65	84	84	79	79	61	61	81	81	75	75	57	57	77	77	72	72	53	53	74	74	68	68	50	50	72	72	65	65	48	48	68	68	61	61	45	45
			Array Edge	77	77	72	72	53	53	73	73	67	67	49	49	70	70	63	63	46	46	66	66	59	59	43	43	62	62	56	56	41	41	58	58	53	53	39	39	55	55	50	50	37	37
25 psf	B	0 to 3	Array Interior	89	79	69	69	58	58	89	73	64	64	54	54	88	70	60	60	50	50	84	66	56	56	47	47	81	62	53	53	45	45	78	59	50	50	42	42	75	55	47	47	40	40
			Array Edge	84	65	56	56	47	47	80	61	52	52	44	44	76	57	49	49	41	41	73	53	46	46	38	38	70	50	43	43	36	36	66	47	41	41	34	34	63	45	39	39	33	33
		3 to 10	Array Interior	89	89	79	85	64	75	86	86	75	81	60	72	82	82	72	77	56	68	78	78	68	74	53	64	75	75	64	71	50	60	72	72	60	67	47	57	70	70	57	64	45	54
			Array Edge	78	78	67	73	52	63	74	74	63	70	49	59	71	71	58	65	46	55	67	67	55	61	43	52	63	63	52	58	40	49	59	59	49	54	38	46	56	56	46	52	36	44
		10 to 30	Array Interior	84	84	79	79	61	61	80	80	75	75	57	57	81	81	75	75	57	57	77	77	72	72	53	53	74	74	68	68	50	50	72	72	65	65	48	48	68	68	61	61	45	45
			Array Edge	73	73	67	67	49	49	69	69	62	62	46	46	65	65	58	58	43	43	74	74	68	68	50	50	71	71	58	52	38	38	54	54	49	49	36	36	52	52	46	46	34	34
	C	0 to 3	Array Interior	89	89	81	81	72	72	89	85	77	77	67	67	89	82	73	73	63	63	89	78	70	70	59	59	89	75	66	66	56	56	89	72	63	63	53	53	87	69	59	59	50	50
			Array Edge	89	89	79	85	65	76	86	86	76	81	61	73	82	82	72	78	57	69	79	79	69	75	53	65	76	76	65	72	50	61	73	73	61	68	48	58	71	71	58	65	45	55
		3 to 10	Array Interior	96	96	91	91	74	74	94	94	87	87	71	71	90	90	83	83	66	66	86	86	80	80	62	62	82	82	77	77	59	59	79	79	74	74	55	55	77	77	71	71	53	53
			Array Edge	85	85	79	79	62	62	81	81	76	76	57	57	78	78	72	72	54	54	74	74	69	69	50	50	72	72	65	65	48	48	68	68	61	61	45	45	65	65	58	58	43	43
		10 to 30	Array Interior	89	81	73	73	62	62	89	77	69	69	58	58	89	74	64	64	54	54	88	71	60	60	51	51	85	67	57	57	48	48	82	63	54	54	45	45	79	60	51	51	43	43
			Array Edge	88	70	60	60	50	50	84	65	56	56	47	47	80	61	52	52	44	44	77	57	49	49	41	41	74	54	46	46	39	39	71	51	44	44	37	37	67	48	41	41	35	35
D	0 to 3	Array Interior	89	89	83	89	69	79	89	89	79	85	64	75	86	86	75	81	60	72	82	82	72	78	57	68	79	79	69	74	53	65	76	76	65	72	50	61	73	73	62	69	48	58	
		Array Edge	82	82	72	77	56	68	78	78	67	73	52	63	74	74	63	70	49	59	71	71	59	66	46	56	68	68	56	62	43	52	64	64	53	59	41	50	61	61	50	56	39	47	
	3 to 10	Array Interior	89	89	82	82	65	65	84	84	79	79	61	61	81	81	75	75	57	57	77	77	72	72	53	53	74	74	68	68	50	50	72	72	65	65	48	48	68	68	61	61	45	45	
		Array Edge	77	77	72	72	53	53	73	73	67	67	49	49	70	70	63	63	46	46	66	66	59	59	43	43	62	62	56	56	41	41	58	58	53	53	39	39	55	55	50	50	37	37	
	10 to 30	Array Interior	89	77	69	69	58	58	89	73	64	64	54	54	88	70	60	60	50	50	84	66	56	56	47	47	81	62	53	53	45	45	78	59	50	50	42	42	75	55	47	47	40	40	
		Array Edge	84	65	56	56	47	47	80	61	52	52	44	44	76	57	49	49	41	41	73	53	46	46	38	38	70	50	43	43	36	36	66	47	41	41	34	34	63	45	39	39	33	33	
30 psf	B	0 to 3	Array Interior	88	88	81	81	72	72	88	85	77	77	67	67	88	82	73	73	63	63	88	78	70	70	59	59	88	75	66	66	56	56	88	72	63	63	53	53	87	69	59	59	50	50
			Array Edge	88	78	70	70	59	59	88	74	65	65	55	55	88	71	61	61	51	51	85	67	57	57	48	48	81	63	54	54	45	45	78	59	51	51	43	43	76	56	48	48	41	41
		3 to 10	Array Interior	88	88	88	88	77	88	88	88	87	88	74	84	88	88	83	88	70	80	88	88	80	86	66	77	88	88	77	83	62	74	84	84	74	79	59	71	81	81	71	77	56	67
			Array Edge	88	88	79	85	65	76	86	86	76	81	61	73	82	82	72	78	57	69	79	79	69	75	53	65	76	76	65	72	50	61	73	73	61	68	48	58	71	71	58	65	45	55
		10 to 30	Array Interior	93	93	91	91	74	74	93	93	87	87	71	71	92	90	83	83	66	66	86	86	80	80	62	62	82	82	77	77	59	59	79	79	74	74	55	55	77	77	71	71	53	53
			Array Edge	85	85	79	79	62	62	81	81	76	76	57	57	78	78	72	72	54	54	74	74	69	69	50	50	72	72	65	65	48	48	68	68	61	61	45	45	65	65	58	58	43	43
	C	0 to 3	Array Interior	88	81	73	73	62	62	88	77	69	69	58	58	88	74	64	64	54	54	88	71	60	60	51	51	85	67	57	57	48	48	82	63	54	54	45	45	79	60	51	51	43	43



Maximum Rail Spans (Inches)			K2 Systems 48-X Flush-Mount Dual Rail, Enclosed Mono Slope Roof 30-60ft, 72 Cell(L) Rail Only																																																																																																
Ground Snow Load	Exposure Category	Panel Angle	Wind Speed ->																																																																																																
			140 mph						150 mph						160 mph						170 mph						180 mph						190 mph						200 mph																																																												
			Roof Zone ->																																																																																																
			1'	1	2'	2	3'	3	1'	1	2'	2	3'	3	1'	1	2'	2	3'	3	1'	1	2'	2	3'	3	1'	1	2'	2	3'	3	1'	1	2'	2	3'	3	1'	1	2'	2	3'	3																																																							
40 psf	B	0 to 3	Array Interior	83	83	81	81	72	72	83	83	77	77	67	67	83	82	73	73	63	63	83	78	70	70	59	59	83	75	66	66	56	56	83	72	63	63	53	53	83	69	59	59	50	50	41	41	Array Edge	83	78	70	70	59	59	83	74	65	65	55	55	83	71	61	61	51	51	82	67	57	57	48	48	81	63	54	54	45	45	78	59	51	51	43	43	76	56	48	48	41	41									
			Array Interior	83	83	83	83	77	73	83	83	83	83	74	73	83	83	83	83	70	70	83	83	80	83	66	67	83	83	77	83	62	64	83	83	74	79	59	71	81	81	71	77	56	67	56	67	55	65	Array Edge	83	83	79	83	65	76	83	83	76	81	61	73	82	82	72	78	57	69	79	79	69	75	53	65	76	76	65	72	50	61	73	73	61	68	48	58	71	71	58	65	45	55							
		3 to 10	Array Interior	88	88	88	88	74	74	88	88	87	87	71	71	88	88	83	83	66	66	86	86	80	80	62	62	82	82	77	77	59	59	79	79	74	74	55	55	67	77	71	71	53	53	65	65	58	58	43	43	Array Edge	85	85	79	79	62	62	81	81	76	76	57	57	78	78	72	72	54	54	74	74	69	69	50	50	82	82	72	65	65	48	48	68	68	61	61	45	45	65	65	58	58	43	43				
			Array Interior	83	83	83	83	69	79	83	83	79	83	64	75	83	83	75	81	60	72	82	82	72	78	57	68	79	79	69	74	53	65	76	76	65	72	50	61	73	73	62	69	48	58	68	68	61	61	45	45	Array Edge	82	82	72	77	56	68	78	78	67	73	52	63	74	74	63	70	49	59	71	71	59	66	46	56	68	68	56	62	43	52	64	64	53	59	41	50	61	61	50	56	39	47					
		10 to 30	Array Interior	88	88	82	82	65	65	84	84	79	79	61	61	81	81	75	75	57	57	77	77	72	72	53	53	74	74	68	68	50	50	72	72	65	65	48	48	68	68	61	61	45	45	65	65	58	58	43	43	Array Edge	85	85	79	79	62	62	81	81	76	76	57	57	78	78	72	72	54	54	74	74	69	69	50	50	82	82	72	65	65	48	48	68	68	61	61	45	45	65	65	58	58	43	43				
			Array Interior	83	83	83	83	62	62	83	77	69	69	58	58	83	83	79	83	64	75	83	83	75	81	60	72	82	82	72	78	57	68	79	79	69	74	53	65	76	76	65	72	50	61	73	73	62	69	48	58	68	68	61	61	45	45	Array Edge	82	82	72	77	56	68	78	78	67	73	52	63	74	74	63	70	49	59	71	71	59	66	46	56	68	68	56	62	43	52	64	64	53	59	41	50	61	61	50	56	39
	C	0 to 3	Array Interior	83	81	73	73	62	62	83	77	69	69	58	58	83	74	64	64	54	54	83	71	60	60	51	51	82	67	57	57	48	48	81	63	54	54	45	45	79	60	51	51	43	43	76	56	48	48	41	41	Array Edge	83	78	70	70	60	60	50	50	82	65	56	56	47	47	80	61	52	52	44	44	77	57	49	49	41	41	74	54	46	46	39	39	71	51	44	44	37	37	67	48	41	41	35	35			
			Array Interior	83	83	83	83	69	79	83	83	79	83	64	75	83	83	75	81	60	72	82	82	72	78	57	68	79	79	69	74	53	65	76	76	65	72	50	61	73	73	62	69	48	58	68	68	61	61	45	45	Array Edge	82	82	72	77	56	68	78	78	67	73	52	63	74	74	63	70	49	59	71	71	59	66	46	56	68	68	56	62	43	52	64	64	53	59	41	50	61	61	50	56	39	47					
		3 to 10	Array Interior	88	88	82	82	65	65	84	84	79	79	61	61	81	81	75	75	57	57	77	77	72	72	53	53	74	74	68	68	50	50	72	72	65	65	48	48	68	68	61	61	45	45	65	65	58	58	43	43	Array Edge	85	85	79	79	62	62	81	81	76	76	57	57	78	78	72	72	54	54	74	74	69	69	50	50	82	82	72	65	65	48	48	68	68	61	61	45	45	65	65	58	58	43	43				
			Array Interior	83	83	83	83	62	62	83	77	69	69	58	58	83	83	79	83	64	75	83	83	75	81	60	72	82	82	72	78	57	68	79	79	69	74	53	65	76	76	65	72	50	61	73	73	62	69	48	58	68	68	61	61	45	45	Array Edge	82	82	72	77	56	68	78	78	67	73	52	63	74	74	63	70	49	59	71	71	59	66	46	56	68	68	56	62	43	52	64	64	53	59	41	50	61	61	50	56	39
		10 to 30	Array Interior	88	88	82	82	65	65	84	84	79	79	61	61	81	81	75	75	57	57	77	77	72	72	53	53	74	74	68	68	50	50	72	72	65	65	48	48	68	68	61	61	45	45	65	65	58	58	43	43	Array Edge	85	85	79	79	62	62	81	81	76	76	57	57	78	78	72	72	54	54	74	74	69	69	50	50	82	82	72	65	65	48	48	68	68	61	61	45	45	65	65	58	58	43	43				
			Array Interior	83	83	83	83	62	62	83	77	69	69	58	58	83	83	79	83	64	75	83	83	75	81	60	72	82	82	72	78	57	68	79	79	69	74	53	65	76	76	65	72	50	61	73	73	62	69	48	58	68	68	61	61	45	45	Array Edge	82	82	72	77	56	68	78	78	67	73	52	63	74	74	63	70	49	59	71	71	59	66	46	56	68	68	56	62	43	52	64	64	53	59	41	50	61	61	50	56	39
D	0 to 3	Array Interior	85	77	69	69	58	58	85	73	64	64	54	54	85	70	60	60	50	50	84	66	56	56	47	47	81	62	53	53	45	45	78	59	50	50	42	42	75	55	47	47	40	40	63	43	33	33	33	33	Array Edge	84	65	56	56	47	47	80	61	52	52	44	44	76	57	49	49	41	41	73	53	46	46	38	38	70	50	43	43	36	36	66	47	41	41	34	34	63	45	39	39	33	33						
		Array Interior	85	85	79	85	64	75	85	85	75	81	60	72	82	82	72	77	56	68	78	78	68	74	53	64	75	75	64	71	50	60	72	72	60	67	47	57	70	70	57	64	45	54	66	66	61	61	45	45	Array Edge	78	78	67	73	52	63	74	74	63	70	49	59	71	71	58	65	46	55	67	67	55	61	43	52	63	63	52	58	40	49	59	59	49	54	38	46	56	56	46	52	36	44						
	3 to 10	Array Interior	84	84	79	79	61	61	80	80	75	75	57	57	77	77	72	72	53	53	74	74	68	68	50	50	72	72	65	65	48	48	67	67	60	60	44	44	64	64	57	57	42	42	62	42	32	32	Array Edge	84	84	79	79	61	61	80	80	75	75	57	57	77	77	72	72	53	53	74	74	68	68	50	50	72	72	65	65	48	48	67	67	60	60	44	44	64	64	57	57	42	42	62	42	32	32				
		Array Interior	84	84	79	79	61	61	80	80	75	75	57	57	77	77	72	72	53	53	74	74	68	68	50	50	72	72	65	65	48	48	67	67	60	60	44	44	64	64	57	57	42	42	62	42	32	32	Array Edge	73	73	67	67	49	49	69	69	62	62	46	46	65	65	58	58	43	43	61	61	55	55	40	40	58	58	52	52	38	38	54	54	49	49	36	36	52	52	46	46	34	34								
	10 to 30	Array Interior	86	86	82	82	65	65	84	84	79	79	61	61	81	81	75	75	57	57	77	77	72	72	53	53	74	74	68	68	50	50	72	72	65	65	48	48	68	68	61	61	45	45	65	65	58	58	43	43	Array Edge	85	85	79	79	62	62	81	81	76	76	57	57	78	78	72	72	54	54	74	74	69	69	50	50	82	82	72	65	65	48	48	68	68	61	61	45	45	65	65	58	58	43	43					
		Array Interior	80	80	73	73	62	62	80	77	69	69	58	58	80	74	64	64	54	54	80	71	60	60	51	51	80	67	57	57	48	48	79	63	54	54	45	45	69	60	51	51	43	43	65	60	51	51	43	43	Array Edge	80	70	60	60	50	50	80	65																																								









Maximum Rail Spans (Inches)			K2 Systems 48-X Flush-Mount Dual Rail, Enclosed Mono Slope Roof 30-60ft, 72 Cell(P) Rail Only																																												
Ground Snow Load	Exposure Category	Panel Angle	Wind Speed -> 140 mph						150 mph						160 mph						170 mph						180 mph						190 mph						200 mph								
			Roof Zone ->						1'	1	2'	2	3'	3	1'	1	2'	2	3'	3	1'	1	2'	2	3'	3	1'	1	2'	2	3'	3	1'	1	2'	2	3'	3	1'	1	2'	2	3'	3	1'	1	2'
0 psf	B	0 to 3	Array Interior	90	72	62	62	52	52	87	68	58	58	48	48	83	63	54	54	45	45	79	59	50	50	43	43	76	56	48	48	40	40	73	53	45	45	38	38	70	50	43	43	36	36	29	29
			Array Edge	78	59	50	50	42	42	75	55	47	47	39	39	71	51	44	44	37	37	67	48	41	41	34	34	63	45	39	39	32	32	59	43	36	36	31	31	56	40	35	35	29	29		
		3 to 10	Array Interior	85	85	74	79	58	71	80	80	70	76	54	66	77	77	65	72	50	61	73	73	61	68	47	57	70	70	58	64	45	54	66	66	54	61	42	51	63	63	51	57	40	48	48	48
			Array Edge	73	73	61	68	47	57	69	69	56	63	44	53	64	64	53	59	41	49	60	60	49	55	38	46	57	57	47	52	36	44	53	53	44	49	34	41	51	51	42	46	32	39	39	39
		10 to 30	Array Interior	79	79	73	73	55	55	75	75	70	70	51	51	72	72	65	65	48	48	68	68	61	61	45	45	64	64	57	57	42	42	60	60	54	54	40	40	57	57	51	51	38	38	31	31
			Array Edge	67	67	60	60	44	44	63	63	56	56	41	41	59	59	52	52	39	39	55	55	49	49	36	36	52	52	46	46	34	34	49	49	44	44	32	32	46	46	42	42	31	31	26	26
	C	0 to 3	Array Interior	82	62	53	53	45	45	78	58	49	49	42	42	74	54	46	46	39	39	71	51	43	43	37	37	67	48	41	41	34	34	63	45	39	39	33	33	60	43	37	37	31	31	25	25
			Array Edge	70	50	43	43	36	36	65	47	40	40	34	34	61	44	37	37	32	32	57	41	35	35	30	30	54	39	33	33	28	28	51	37	31	31	26	26	48	35	30	30	25	25		
		3 to 10	Array Interior	76	76	64	71	50	60	72	72	60	67	46	56	68	68	56	62	43	52	64	64	52	58	41	49	60	60	49	55	38	46	57	57	47	52	36	44	54	54	44	49	34	42	42	42
			Array Edge	63	63	52	58	40	49	59	59	48	54	38	45	55	55	45	50	35	42	52	52	42	47	33	40	49	49	40	44	31	38	46	46	38	42	29	36	43	43	36	40	28	34	34	34
		10 to 30	Array Interior	71	71	64	64	47	47	66	66	60	60	44	44	62	62	56	56	41	41	58	58	52	52	38	38	55	55	49	49	36	36	52	52	47	47	34	34	49	49	44	44	32	32	32	32
			Array Edge	58	58	52	52	38	38	54	54	48	48	35	35	50	50	45	45	33	33	47	47	42	42	31	31	44	44	40	40	29	29	42	42	38	38	28	28	40	40	36	36	26	26	26	26
D	0 to 3	Array Interior	78	58	49	49	42	42	74	54	46	46	39	39	70	50	43	43	36	36	66	47	40	40	34	34	62	44	38	38	32	32	59	42	36	36	30	30	56	40	34	34	29	29	23	23	
		Array Edge	65	47	40	40	34	34	61	44	37	37	31	31	57	41	35	35	29	29	53	38	33	33	28	28	50	36	31	31	26	26	47	34	29	29	25	25	45	32	28	28	23	23			
	3 to 10	Array Interior	72	72	60	67	46	56	68	68	55	62	43	52	63	63	52	58	40	49	59	59	49	54	38	46	56	56	46	51	36	43	53	53	43	48	34	41	50	50	41	46	32	39	39	39	
		Array Edge	59	59	48	54	37	45	55	55	45	50	35	42	51	51	42	47	33	40	48	48	39	44	31	37	45	45	37	41	29	35	43	43	35	39	27	33	40	40	33	37	26	31	31	31	
	10 to 30	Array Interior	66	66	60	60	44	44	62	62	55	55	41	41	58	58	52	52	38	38	54	54	49	49	36	36	51	51	46	46	34	34	48	48	43	43	32	32	46	46	41	41	30	30	25	25	
		Array Edge	54	54	48	48	35	35	50	50	45	45	33	33	47	47	42	42	31	31	44	44	39	39	29	29	41	41	37	37	27	27	39	39	35	35	26	26	37	37	33	33	25	25	25	25	
5 psf	B	0 to 3	Array Interior	87	72	62	62	52	52	87	68	58	58	48	48	83	63	54	54	45	45	79	59	50	50	43	43	76	56	48	48	40	40	73	53	45	45	38	38	70	50	43	43	36	36	29	29
			Array Edge	78	59	50	50	42	42	75	55	47	47	39	39	71	51	44	44	37	37	67	48	41	41	34	34	63	45	39	39	32	32	59	43	36	36	31	31	56	40	35	35	29	29		
		3 to 10	Array Interior	85	85	74	79	58	71	80	80	70	76	54	66	77	77	65	72	50	61	73	73	61	68	47	57	70	70	58	64	45	54	66	66	54	61	42	51	63	63	51	57	40	48	48	48
			Array Edge	73	73	61	68	47	57	69	69	56	63	44	53	64	64	53	59	41	49	60	60	49	55	38	46	57	57	47	52	36	44	53	53	44	49	34	41	51	51	42	46	32	39	39	39
		10 to 30	Array Interior	79	79	73	73	55	55	75	75	70	70	51	51	72	72	65	65	48	48	68	68	61	61	45	45	64	64	57	57	42	42	60	60	54	54	40	40	57	57	51	51	38	38	31	31
			Array Edge	67	67	60	60	44	44	63	63	56	56	41	41	59	59	52	52	39	39	55	55	49	49	36	36	52	52	46	46	34	34	49	49	44	44	32	32	46	46	42	42	31	31	26	26
	C	0 to 3	Array Interior	82	62	53	53	45	45	78	58	49	49	42	42	74	54	46	46	39	39	71	51	43	43	37	37	67	48	41	41	34	34	63	45	39	39	33	33	60	43	37	37	31	31	25	25
			Array Edge	70	50	43	43	36	36	65	47	40	40	34	34	61	44	37	37	32	32	57	41	35	35	30	30	54	39	33	33	28	28	51	37	31	31	26	26	48	35	30	30	25	25		
		3 to 10	Array Interior	76	76	64	71	50	60	72	72	60	67	46	56	68	68	56	62	43	52	64	64	52	58	41	49	60	60	49	55	38	46	57	57	47	52	36	44	54	54	44	49	34	42	42	42
			Array Edge	63	63	52	58	40	49	59	59	48	54	38	45	55	55	45	50	35	42	52	52	42	47	33	40	49	49	40	44	31	38	46	46	38	42	29	36	43	43	36	40	28	34	34	34
		10 to 30	Array Interior	71	71	64	64	47	47	66	66	60	60	44	44	62	62	56	56	41	41	58	58	52	52	38	38	55	55	49	49	36	36	52	52	47	47	34	34	49	49	44	44	32	32	32	32
			Array Edge	58	58	52	52	38	38	54	54	48	48	35	35	50	50	45	45	33	33	47	47	42	42	31	31	44	44	40	40	29	29	42	42	38	38	28	28	40	40	36	36	26	26		
D	0 to 3	Array Interior	78	58	49	49	42	42	74	54	46	46	39	39	70	50	43	43	36	36	66	47	40	40	34	34	62	44	38	38	32	32	59	42	36	36	30	30	56	40	34	34	29	29	23	23	
		Array Edge	65	47	40	40	34	34	61	44	37	37	31	31	57	41	35	35	29	29	53	38	33	33	28	28	50	36	31	31	26	26	47	34	29	29	25	25	45	32	28	28	23	23			
	3 to 10	Array Interior	72	72	60	67	46	56	68	68	55	62	43	52	63	63	52	58	40	49	59	59	49	54	38	46	56	56	46	51	36	43	53	53	43	48	34	41	50	50	41	46	32	39	39	39	
		Array Edge	59	59	48	54	37	45	55	55	45	50	35	42	51	51	42	47	33	40	48	48	39	44	31	37	45	45	37	41	29	35	43	43	35	39	27	33	40	40	33	37	26	31	31	31	
	10 to 30	Array Interior	66	66	60	60	44	44	62	62	55	55	41	41	58	58	52	52	38	38	54	54	49	49	36	36	51	51	46	46	34	34	48	48	43	43	32	32	46	46	41	41	30	30	25	25	
		Array Edge	54	54	48	48	35	35	50	50	45	45	33	33	47	47	42	42	31	31	44	44	39	39	29	29	41	41	37	37	27	27	39	39	35	35	26	26	37	37	33	33	25	25			



Maximum Rail Spans (Inches)			K2 Systems 48-X Flush-Mount Dual Rail, Enclosed Mono Slope Roof 30-60ft, 72 Cell(P) Rail Only																																																		
Ground Snow Load	Exposure Category	Panel Angle	Wind Speed ->		140 mph						150 mph						160 mph						170 mph						180 mph						190 mph						200 mph												
			Roof Zone ->		1'	1	2'	2	3'	3	1'	1	2'	2	3'	3	1'	1	2'	2	3'	3	1'	1	2'	2	3'	3	1'	1	2'	2	3'	3	1'	1	2'	2	3'	3	1'	1	2'	2	3'	3							
20 psf	B	0 to 3	Array Interior	70	70	62	62	52	52	70	68	58	58	48	48	70	63	54	54	45	45	70	59	50	50	43	43	70	56	48	48	40	40	70	53	45	45	38	38	70	50	43	43	36	36	70	50	43	43	36	36	29	29
			Array Edge	70	59	50	50	42	42	70	55	47	47	39	39	70	51	44	44	37	37	67	48	41	41	34	34	63	45	39	39	32	32	59	43	36	36	31	31	56	40	35	35	29	29								
		3 to 10	Array Interior	71	71	71	71	58	71	71	69	70	71	54	66	71	71	65	71	50	61	71	71	61	68	47	57	70	70	58	64	45	54	66	66	54	61	42	51	63	63	51	57	40	48	63	61	57	40	48			
			Array Edge	71	71	61	68	47	57	69	69	56	63	44	53	64	64	53	59	41	49	60	60	49	55	38	46	57	57	47	52	36	44	53	53	44	49	34	41	51	51	42	46	32	39								
		10 to 30	Array Interior	79	79	73	73	55	55	75	75	70	70	51	51	72	72	65	65	48	48	68	68	61	61	45	45	64	64	57	57	42	42	60	60	54	54	40	40	57	57	51	51	38	38	46	46	42	42	31	31		
			Array Edge	67	67	60	60	44	44	63	63	56	56	41	41	59	59	52	52	39	39	55	55	49	49	36	36	52	52	46	46	34	34	49	49	44	44	32	32	46	46	42	42	31	31								
	Array Edge	70	50	43	43	36	36	65	47	40	40	34	34	61	44	37	37	32	32	57	41	35	35	30	30	54	39	33	33	28	28	51	37	31	31	26	26	48	35	30	30	25	25										
	3 to 10	Array Interior	71	71	64	71	50	60	71	71	60	67	46	56	68	68	56	62	43	52	64	64	52	58	41	49	64	64	52	58	41	49	60	60	49	55	38	46	57	57	47	52	36	44	54	54	44	49	34	42			
		Array Edge	63	63	52	58	40	49	59	59	48	54	38	45	55	55	45	50	35	42	52	52	42	47	33	40	49	49	40	44	31	38	46	46	38	42	29	36	43	43	36	40	28	34									
	10 to 30	Array Interior	71	71	64	64	47	47	66	66	60	60	44	44	62	62	56	56	41	41	58	58	52	52	38	38	55	55	49	49	36	36	52	52	47	47	34	34	49	49	44	44	32	32	46	46	44	44	32	32			
		Array Edge	58	58	52	52	38	38	54	54	48	48	35	35	50	50	45	45	33	33	47	47	42	42	31	31	44	44	40	40	29	29	42	42	38	38	28	28	40	40	36	36	26	26									
	Array Edge	65	47	40	40	34	34	61	44	37	37	31	31	57	41	35	35	29	29	53	38	33	33	28	28	50	36	31	31	26	26	47	34	29	29	25	25	45	32	28	28	23	23										
3 to 10	Array Interior	71	71	60	67	46	56	68	68	55	62	43	52	63	63	52	58	40	49	59	59	49	54	38	46	56	56	46	51	36	43	53	53	43	48	34	41	50	50	41	46	32	39	43	43	37	37	26	31				
	Array Edge	59	59	48	54	37	45	55	55	45	50	35	42	51	51	42	47	33	40	48	48	39	44	31	37	45	45	37	41	29	35	43	43	35	39	27	33	40	40	33	37	26	31										
10 to 30	Array Interior	66	66	60	60	44	44	62	62	55	55	41	41	58	58	52	52	38	38	54	54	49	49	36	36	51	51	46	46	34	34	48	48	43	43	32	32	46	46	41	41	30	30	46	46	41	41	30	30				
	Array Edge	54	54	48	48	35	35	50	50	45	45	33	33	47	47	42	42	31	31	44	44	39	39	29	29	41	41	37	37	27	27	39	39	35	35	26	26	37	37	33	33	25	25										
25 psf	B	0 to 3	Array Interior	70	70	62	62	52	52	70	68	58	58	48	48	70	63	54	54	45	45	70	59	50	50	43	43	70	56	48	48	40	40	70	53	45	45	38	38	70	50	43	43	36	36	70	50	43	43	36	36	29	29
			Array Edge	70	59	50	50	42	42	70	55	47	47	39	39	70	51	44	44	37	37	67	48	41	41	34	34	63	45	39	39	32	32	59	43	36	36	31	31	56	40	35	35	29	29								
		3 to 10	Array Interior	71	71	71	71	58	71	71	71	70	71	54	66	71	71	65	71	50	61	71	71	61	68	47	57	70	70	58	64	45	54	66	66	54	61	42	51	63	63	51	57	40	48	63	61	57	40	48			
			Array Edge	71	71	61	68	47	57	69	69	56	63	44	53	64	64	53	59	41	49	60	60	49	55	38	46	57	57	47	52	36	44	53	53	44	49	34	41	51	51	42	46	32	39								
		10 to 30	Array Interior	77	77	73	73	55	55	75	75	70	70	51	51	72	72	65	65	48	48	68	68	61	61	45	45	64	64	57	57	42	42	60	60	54	54	40	40	57	57	51	51	38	38	46	46	42	42	31	31		
			Array Edge	67	67	60	60	44	44	63	63	56	56	41	41	59	59	52	52	39	39	55	55	49	49	36	36	52	52	46	46	34	34	49	49	44	44	32	32	46	46	42	42	31	31								
	Array Edge	70	50	43	43	36	36	65	47	40	40	34	34	61	44	37	37	32	32	57	41	35	35	30	30	54	39	33	33	28	28	51	37	31	31	26	26	48	35	30	30	25	25										
	3 to 10	Array Interior	71	71	64	71	50	60	71	71	60	67	46	56	68	68	56	62	43	52	64	64	52	58	41	49	64	64	52	58	41	49	60	60	49	55	38	46	57	57	47	52	36	44	54	54	44	49	34	42			
		Array Edge	63	63	52	58	40	49	59	59	48	54	38	45	55	55	45	50	35	42	52	52	42	47	33	40	49	49	40	44	31	38	46	46	38	42	29	36	43	43	36	40	28	34									
	10 to 30	Array Interior	71	71	64	64	47	47	66	66	60	60	44	44	62	62	56	56	41	41	58	58	52	52	38	38	55	55	49	49	36	36	52	52	47	47	34	34	49	49	44	44	32	32	46	46	44	44	32	32			
		Array Edge	58	58	52	52	38	38	54	54	48	48	35	35	50	50	45	45	33	33	47	47	42	42	31	31	44	44	40	40	29	29	42	42	38	38	28	28	40	40	36	36	26	26									
	Array Edge	65	47	40	40	34	34	61	44	37	37	31	31	57	41	35	35	29	29	53	38	33	33	28	28	50	36	31	31	26	26	47	34	29	29	25	25	45	32	28	28	23	23										
3 to 10	Array Interior	71	71	60	67	46	56	68	68	55	62	43	52	63	63	52	58	40	49	59	59	49	54	38	46	56	56	46	51	36	43	53	53	43	48	34	41	50	50	41	46	32	39	43	43	37	37	26	31				
	Array Edge	59	59	48	54	37	45	55	55	45	50	35	42	51	51	42	47	33	40	48	48	39	44	31	37	45	45	37	41	29	35	43	43	35	39	27	33	40	40	33	37	26	31										
10 to 30	Array Interior	66	66	60	60	44	44	62	62	55	55	41	41	58	58	52	52	38	38	54	54	49	49	36	36	51	51	46	46	34	34	48	48	43	43	32	32	46	46	41</													



Maximum Rail Spans (Inches)			K2 Systems 48-X Flush-Mount Dual Rail, Enclosed Mono Slope Roof 30-60ft, 72 Cell(P) Rail Only																																																
Ground Snow Load	Exposure Category	Panel Angle	Wind Speed ->		140 mph						150 mph						160 mph						170 mph						180 mph						190 mph						200 mph										
			Roof Zone ->		1'	1	2'	2	3'	3	1'	1	2'	2	3'	3	1'	1	2'	2	3'	3	1'	1	2'	2	3'	3	1'	1	2'	2	3'	3	1'	1	2'	2	3'	3	1'	1	2'	2	3'	3					
40 psf	B	0 to 3	Array Interior	63	63	62	62	52	52	63	63	58	58	48	48	63	63	54	54	45	45	63	59	50	50	43	43	63	56	48	48	40	40	63	53	45	45	38	38	63	50	43	43	36	36	59	49	39	29	29	
			Array Edge	63	59	50	50	42	42	63	55	47	47	39	39	63	51	44	44	37	37	63	48	41	41	34	34	62	45	39	39	32	32	59	43	36	36	31	31	56	40	35	35	29	29						
		3 to 10	Array Interior	64	64	64	64	58	58	64	64	64	64	54	54	64	64	64	64	50	50	64	64	61	64	47	57	64	64	58	64	45	54	64	64	54	61	42	51	63	63	51	57	40	48	63	51	42	46	32	39
			Array Edge	64	64	61	64	47	57	64	64	56	63	44	53	64	64	53	59	41	49	60	60	49	55	38	46	57	57	47	52	36	44	41	41	53	53	44	49	34	41	51	51	42	46	32	39				
		10 to 30	Array Interior	70	70	70	70	55	55	70	70	70	70	51	51	70	70	65	65	48	48	68	68	61	61	45	45	64	64	57	57	42	42	60	60	54	54	40	40	57	57	51	51	38	38	60	49	44	42	31	31
			Array Edge	67	67	60	60	44	44	63	63	56	56	41	41	59	59	52	52	39	39	55	55	49	49	36	36	52	52	46	46	34	34	49	49	44	44	32	32	46	46	42	42	31	31						
	C	0 to 3	Array Interior	63	62	53	53	45	45	63	58	49	49	42	42	63	54	46	46	39	39	63	51	43	43	37	37	63	48	41	41	34	34	62	45	39	39	33	33	60	43	37	37	31	31	56	43	37	31	25	25
			Array Edge	63	50	43	43	36	36	62	47	40	40	34	34	61	44	37	37	32	32	57	41	35	35	30	30	54	39	33	33	28	28	51	37	31	31	26	26	48	35	30	30	25	25						
		3 to 10	Array Interior	64	64	64	64	50	60	64	64	60	64	46	56	64	64	56	62	43	52	64	64	52	58	41	49	64	64	52	58	41	49	60	60	49	55	38	46	57	57	47	52	36	44	54	54	44	49	34	42
			Array Edge	63	63	52	58	40	49	59	59	48	54	38	45	55	55	45	50	35	42	52	52	42	47	33	40	49	49	40	44	31	38	46	46	38	42	29	36	43	43	36	40	28	34						
		10 to 30	Array Interior	70	70	64	64	47	47	66	66	60	60	44	44	62	62	56	56	41	41	58	58	52	52	38	38	55	55	49	49	36	36	52	52	47	47	34	34	49	49	44	44	32	32	46	46	44	44	32	32
			Array Edge	58	58	52	52	38	38	54	54	48	48	35	35	50	50	45	45	33	33	47	47	42	42	31	31	44	44	40	40	29	29	42	42	38	38	28	28	40	40	36	36	26	26						
D	0 to 3	Array Interior	66	58	49	49	42	42	66	54	46	46	39	39	66	50	43	43	36	36	65	47	40	40	34	34	62	44	38	38	32	32	59	42	36	36	30	30	56	40	34	34	29	29	52	36	30	25	25		
		Array Edge	65	47	40	40	34	34	61	44	37	37	31	31	57	41	35	35	29	29	53	38	33	33	28	28	50	36	31	31	26	26	47	34	29	29	25	25	45	32	28	28	23	23							
	3 to 10	Array Interior	66	66	60	60	44	44	66	66	55	62	43	52	63	63	52	58	40	49	59	59	49	54	38	46	56	56	46	51	36	43	53	53	43	48	34	41	50	50	41	46	32	39	43	43	33	33	26	31	
		Array Edge	59	59	48	54	37	45	55	55	45	50	35	42	51	51	42	47	33	40	48	48	39	44	31	37	45	45	37	41	29	35	43	43	35	39	27	33	40	40	33	37	26	31							
	10 to 30	Array Interior	66	66	60	60	44	44	62	62	55	55	41	41	58	58	52	52	38	38	54	54	49	49	36	36	51	51	46	46	34	34	48	48	43	43	32	32	46	46	41	41	30	30	45	35	30	25	25		
		Array Edge	54	54	48	48	35	35	50	50	45	45	33	33	47	47	42	42	31	31	44	44	39	39	29	29	41	41	37	37	27	27	39	39	35	35	26	26	37	37	33	33	25	25							
45 psf	B	0 to 3	Array Interior	60	60	60	60	52	52	60	60	58	58	48	48	60	60	54	54	45	45	60	59	50	50	43	43	60	56	48	48	40	40	60	53	45	45	38	38	60	50	43	43	36	36	59	49	39	29	29	
			Array Edge	60	59	50	50	42	42	60	55	47	47	39	39	60	51	44	44	37	37	60	48	41	41	34	34	59	45	39	39	32	32	59	43	36	36	31	31	56	40	35	35	29	29						
		3 to 10	Array Interior	61	61	61	61	58	61	61	61	61	54	61	61	61	61	61	61	50	61	61	61	61	47	57	61	61	58	61	45	54	61	61	54	61	42	51	61	61	51	57	40	48	61	51	42	46	32	39	
			Array Edge	61	61	61	61	47	57	61	61	56	61	44	53	61	61	53	59	41	49	60	60	49	55	38	46	57	57	47	52	36	44	53	53	44	49	34	41	51	51	42	46	32	39						
		10 to 30	Array Interior	67	67	67	67	55	55	67	67	67	67	51	51	67	67	65	65	48	48	67	67	61	61	45	45	64	64	57	57	42	42	60	60	54	54	40	40	57	57	51	51	38	38	60	49	44	42	31	31
			Array Edge	67	67	60	60	44	44	63	63	56	56	41	41	59	59	52	52	39	39	55	55	49	49	36	36	52	52	46	46	34	34	49	49	44	44	32	32	46	46	42	42	31	31						
	C	0 to 3	Array Interior	60	60	53	53	45	45	60	58	49	49	42	42	60	54	46	46	39	39	60	51	43	43	37	37	62	48	41	41	34	34	60	49	39	39	33	33	59	43	37	37	31	31	56	43	37	31	25	25
			Array Edge	60	50	43	43	36	36	60	47	40	40	34	34	59	44	37	37	32	32	57	41	35	35	30	30	54	39	33	33	28	28	51	37	31	31	26	26	48	35	30	30	25	25						
		3 to 10	Array Interior	61	61	61	61	50	60	61	61	61	46	56	61	61	61	61	43	52	61	61	52	58	41	49	60	60	49	55	38	46	57	57	47	52	36	44	54	54	44	49	34	42	54	54	44	49	34	42	
			Array Edge	61	61	52	58	40	49	59	59	48	54	38	45	55	55	45	50	35	42	52	52	42	47	33	40	49	49	40	44	31	38	46	46	38	42	29	36	43	43	36	40	28	34						
		10 to 30	Array Interior	67	67	64	64	47	47	66	66	60	60	44	44	62	62	56	56	41	41	58	58	52	52	38	38	55	55	49	49	36	36	52	52	47	47	34	34	49	49	44	44	32	32	46	46	44	44	32	32
			Array Edge	58	58	52	52	38	38	54	54	48	48	35	35	50	50	45	45	33	33	47	47	42	42	31	31	44	44	40	40	29	29	42	42	38	38	28	28	40	40	36	36	26	26						
D	0 to 3	Array Interior	63	58	49	49	42	42	63	54	46	46	39	39	63	50	43	43	36	36	63	47	40	40	34	34	62	44	38	38	32	32	59	42	36	36	30	30	56	40	34	34	29	29	52	36	30	25	25		
		Array Edge	62	47	40	40	34	34	61	44	37	37	31	31	57	41	35	35	29	29	53	38	33	33	28	28	50	36	31	31	26	26	47	34	29	29	25	25	45	32	28	28	23	23							
	3 to 10	Array Interior	64	64	60	60	44	44	64	64	55	62	43	52	63	63	52	58	40	49	59	59	49	54	38	46	56	56	46	51	36	43	53	53	43	48	34	41	50	50	41	46	32	39	43	43	33	33	26	31	
		Array Edge	59	59	48	54	37	45	55	55	45	50	35	42	51	51	42	47	33	40	48	48	39	44	31	37	45	45	37	41	29	35	43	43	35	39	27	33	40	40	33	37	26	31							
	10 to 30	Array Interior	66	66	60	60	44	44	62	62	55	55	41	41	58	58	52	52	38	38	54	54	49	49	36	36	51	51	46	46	34	34	48	48	43	43	32	32	46	46	41	41	30	30	45	35					









Maximum Rail Spans (Inches)			K2 Systems 48-XL Flush-Mount Dual Rail, Enclosed Mono Slope Roof 0-30ft, 72 Cell(L) Rail Only																																												
Ground Snow Load	Exposure Category	Panel Angle	Wind Speed ->																																												
			140 mph						150 mph						160 mph						170 mph						180 mph						190 mph						200 mph								
			Roof Zone ->						Roof Zone ->						Roof Zone ->						Roof Zone ->						Roof Zone ->						Roof Zone ->														
1'	1	2'	2	3'	3	1'	1	2'	2	3'	3	1'	1	2'	2	3'	3	1'	1	2'	2	3'	3	1'	1	2'	2	3'	3	1'	1	2'	2	3'	3	1'	1	2'	2	3'	3	1'	1	2'	2	3'	3
0 psf	B	0 to 3	Array Interior	121	104	94	94	83	83	121	99	89	89	79	79	120	95	85	85	76	76	114	91	82	82	73	73	110	87	78	78	70	70	105	84	75	75	67	67	101	81	73	73	64	64		
			Array Edge	114	90	81	81	72	72	108	86	77	77	69	69	103	82	74	74	66	66	99	79	71	71	62	62	95	76	68	68	58	58	91	73	65	65	55	55	88	70	62	62	52	52		
		3 to 10	Array Interior	121	121	107	115	90	102	117	117	101	109	85	97	111	111	97	104	82	93	106	106	93	100	78	89	102	102	89	96	75	85	98	98	86	92	72	82	94	94	83	89	70	79		
			Array Edge	105	105	92	99	78	88	100	100	88	94	74	84	96	96	84	90	71	80	92	92	80	86	68	77	88	88	77	83	65	74	85	85	74	80	61	71	82	82	72	77	58	69		
		10 to 30	Array Interior	115	115	106	106	86	86	109	109	101	101	82	82	104	104	97	97	78	78	100	100	92	92	75	75	96	96	89	89	72	72	92	92	86	86	70	70	89	89	83	83	67	67		
			Array Edge	99	99	92	92	75	75	94	94	88	88	71	71	90	90	84	84	68	68	86	86	80	80	65	65	83	83	77	77	61	61	80	80	74	74	58	58	77	77	72	72	55	55		
	C	0 to 3	Array Interior	117	92	83	83	74	74	111	88	79	79	71	71	106	84	76	76	68	68	101	81	73	73	64	64	97	77	70	70	60	60	93	75	67	67	57	57	90	72	64	64	54	54		
			Array Edge	100	80	72	72	63	63	96	76	69	69	59	59	91	73	65	65	55	55	87	70	61	61	52	52	84	67	58	58	49	49	81	64	55	55	46	46	78	61	52	52	44	44		
		3 to 10	Array Interior	108	108	94	102	80	91	103	103	90	97	76	86	98	98	86	92	73	82	94	94	82	89	70	79	80	90	79	85	67	76	87	87	76	82	63	73	84	84	74	79	60	71		
			Array Edge	93	93	82	88	69	79	89	89	78	84	66	75	85	85	75	80	61	72	81	81	71	77	58	69	78	78	69	74	54	66	75	75	66	71	51	62	73	73	63	69	49	59		
		10 to 30	Array Interior	101	101	94	94	76	76	97	97	90	90	73	73	92	92	86	86	70	70	88	88	82	82	67	67	85	85	79	79	63	63	82	82	76	76	60	60	79	79	73	73	57	57		
			Array Edge	88	88	82	82	66	66	84	84	78	78	62	62	80	80	74	74	58	58	77	77	71	71	54	54	74	74	69	69	51	51	71	71	66	66	49	49	69	69	62	62	46	46		
D	0 to 3	Array Interior	110	87	78	78	70	70	104	83	75	75	67	67	99	79	71	71	62	62	95	76	68	68	58	58	91	73	65	65	55	55	88	70	62	62	52	52	85	68	59	59	50	50			
		Array Edge	95	76	68	68	58	58	90	72	64	64	54	54	86	69	60	60	51	51	82	66	56	56	48	48	79	62	53	53	45	45	76	59	50	50	42	42	74	56	48	48	40	40			
	3 to 10	Array Interior	102	102	89	96	75	85	97	97	85	91	72	81	92	92	81	87	68	78	89	89	78	83	65	75	85	85	75	80	61	72	82	82	72	77	58	69	79	79	69	75	55	67			
		Array Edge	88	88	77	83	64	74	84	84	74	79	60	71	80	80	70	76	56	68	77	77	67	72	53	64	74	74	64	70	50	60	71	71	60	67	47	57	69	69	57	64	45	54			
	10 to 30	Array Interior	96	96	89	89	72	72	91	91	85	85	69	69	87	87	81	81	65	65	83	83	78	78	61	61	80	80	74	74	58	58	77	77	72	72	55	55	74	74	69	69	52	52			
		Array Edge	83	83	77	77	61	61	79	79	73	73	57	57	75	75	70	70	53	53	72	72	67	67	50	50	70	70	64	64	47	47	67	67	60	60	45	45	64	64	57	57	42	42			
5 psf	B	0 to 3	Array Interior	117	104	94	94	83	83	117	99	89	89	79	79	117	95	85	85	76	76	114	91	82	82	73	73	110	87	78	78	70	70	105	84	75	75	67	67	101	81	73	73	64	64		
			Array Edge	114	90	81	81	72	72	108	86	77	77	69	69	103	82	74	74	66	66	99	79	71	71	62	62	95	76	68	68	58	58	91	73	65	65	55	55	88	70	62	62	52	52		
		3 to 10	Array Interior	117	117	107	115	90	102	117	117	101	109	85	97	111	111	97	104	82	93	106	106	93	100	78	89	102	102	89	96	75	85	98	98	86	92	72	82	94	94	83	89	70	79		
			Array Edge	105	105	92	99	78	88	100	100	88	94	74	84	96	96	84	90	71	80	92	92	80	86	68	77	88	88	77	83	65	74	85	85	74	80	61	71	82	82	72	77	58	69		
		10 to 30	Array Interior	115	115	106	106	86	86	109	109	101	101	82	82	104	104	97	97	78	78	100	100	92	92	75	75	96	96	89	89	72	72	92	92	86	86	70	70	89	89	83	83	67	67		
			Array Edge	99	99	92	92	75	75	94	94	88	88	71	71	90	90	84	84	68	68	86	86	80	80	65	65	83	83	77	77	61	61	80	80	74	74	58	58	77	77	72	72	55	55		
	C	0 to 3	Array Interior	108	108	94	102	80	91	103	103	90	97	76	86	98	98	86	92	73	82	94	94	82	89	70	79	80	90	79	85	67	76	87	87	76	82	63	73	84	84	74	79	60	71		
			Array Edge	93	93	82	88	69	79	89	89	78	84	66	75	85	85	75	80	61	72	81	81	71	77	58	69	78	78	69	74	54	66	75	75	66	71	51	62	73	73	63	69	49	59		
		3 to 10	Array Interior	101	101	94	94	76	76	97	97	90	90	73	73	92	92	86	86	70	70	88	88	82	82	67	67	85	85	79	79	63	63	82	82	76	76	60	60	79	79	73	73	57	57		
			Array Edge	88	88	82	82	66	66	84	84	78	78	62	62	80	80	74	74	58	58	77	77	71	71	54	54	74	74	69	69	51	51	71	71	66	66	49	49	69	69	62	62	46	46		
		10 to 30	Array Interior	110	87	78	78	70	70	104	83	75	75	67	67	99	79	71	71	62	62	95	76	68	68	58	58	91	73	65	65	55	55	88	70	62	62	52	52	85	68	59	59	50	50		
			Array Edge	95	76	68	68	58	58	90	72	64	64	54	54	86	69	60	60	51	51	82	66	56	56	48	48	79	62	53	53	45	45	76	59	50	50	42	42	74	56	48	48	40	40		
D	0 to 3	Array Interior	102	102	89	96	75	85	97	97	85	91	72	81	92	92	81	87	68	78	89	89	78	83	65	75	85	85	75	80	61	72	82	82	72	77	58	69	79	79	69	75	55	67			
		Array Edge	88	88	77	83	64	74	84	84	74	79	60	71	80	80	70	76	56	68	77	77	67	72	53	64	74	74	64	70	50	60	71	71	60	67	47	57	69	69	57	64	45	54			
	3 to 10	Array Interior	96	96	89	89	72	72	91	91	85	85	69	69	87	87	81	81	65	65	83	83	78	78	61	61	80	80	74	74	58	58	77	77	72	72	55	55	74	74	69	69	52	52			
		Array Edge	83	83	77	77	61	61	79	79	73	73	57	57	75	75	70	70	53	53	72	72	67	67	50	50	70	70	64	64	47	47	67	67	60	60	45	45	64	64	57	57	42	42			
	10 to 30	Array Interior	108	104	94	94	83	83	108	99	89	89	79	79	108	95	85	85	76	76	108	91	82	82	73	73	108	87	78	78	70	70	105	84	75	75	67	67	101	81	73	73	64	64			
		Array Edge	108	90	81	81	72	72	108	86	77	77	69	69	103	82	74	74	66	66	99	79	71	71	62	62	95	76	68	68	58	58	91	73	65	65	55	55	88	70	62	62	52	52			
10 psf	B	0 to 3	Array Interior	108	104	94	94	83	83	108	99	89	89	79																																	



Maximum Rail Spans (Inches)			K2 Systems 48-XL Flush-Mount Dual Rail, Enclosed Mono Slope Roof 0-30ft, 72 Cell(L) Rail Only																																																
Ground Snow Load	Exposure Category	Panel Angle	Wind Speed ->																																																
			140 mph						150 mph						160 mph						170 mph						180 mph						190 mph						200 mph												
			Roof Zone ->																																																
			1'	1	2'	2	3'	3	1'	1	2'	2	3'	3	1'	1	2'	2	3'	3	1'	1	2'	2	3'	3	1'	1	2'	2	3'	3	1'	1	2'	2	3'	3	1'	1	2'	2	3'	3							
20 psf	B	0 to 3	Array Interior	96	96	94	94	83	83	96	96	89	89	79	79	96	95	85	85	76	76	96	91	82	82	73	73	96	87	78	78	70	70	96	84	75	75	67	67	96	81	73	73	64	64						
			Array Edge	96	90	81	81	72	72	96	86	77	77	69	69	96	82	74	74	66	66	96	79	71	71	62	62	96	79	71	71	62	62	95	76	68	68	58	58	91	73	65	65	55	55	88	70	62	62	52	52
		3 to 10	Array Interior	96	96	96	96	90	96	96	96	96	96	85	96	96	96	96	82	93	96	96	89	76	75	89	96	96	89	96	75	85	96	96	86	92	72	82	94	94	83	89	70	79	96	89	83	89	70	79	
			Array Edge	96	96	92	96	78	88	96	96	88	94	74	84	96	96	84	90	71	80	92	92	80	86	68	77	88	88	77	83	65	74	85	85	74	80	61	71	82	82	72	77	58	69	79	79	67	79		
		10 to 30	Array Interior	108	108	106	106	86	86	108	108	101	101	82	82	104	104	97	97	78	78	100	100	92	92	75	75	96	96	89	89	72	72	92	92	86	86	70	70	89	89	83	83	67	67	87	87	72	72	55	55
			Array Edge	99	99	92	92	75	75	94	94	88	88	71	71	90	90	84	84	68	68	86	86	80	80	65	65	93	93	83	83	77	77	61	61	80	80	74	74	58	58	79	79	73	73	62	62	46	46		
	C	0 to 3	Array Interior	96	92	83	83	74	74	96	88	79	79	71	71	96	84	76	76	68	68	86	81	73	73	64	64	96	77	70	70	60	60	93	75	67	67	57	57	90	72	64	64	54	54						
			Array Edge	96	80	72	72	63	63	96	76	69	69	59	59	91	73	65	65	55	55	87	70	61	61	52	52	84	67	58	58	49	49	81	64	55	55	46	46	78	61	52	52	44	44						
		3 to 10	Array Interior	96	96	94	96	80	91	96	96	90	96	76	86	96	96	86	92	73	82	94	94	82	89	70	79	90	90	79	85	67	76	87	87	76	82	63	73	84	84	74	79	60	71	96	96	83	83	69	49
			Array Edge	93	93	82	88	69	79	89	89	78	84	66	75	85	85	75	80	61	72	81	81	71	77	58	69	78	78	69	74	54	66	75	75	66	71	51	62	73	73	63	69	49	59	96	96	83	83	69	49
		10 to 30	Array Interior	101	101	94	94	76	76	97	97	90	90	73	73	92	92	86	86	70	70	88	88	82	82	67	67	85	85	79	79	63	63	82	82	76	76	60	60	79	79	73	73	57	57	87	87	72	72	55	55
			Array Edge	88	88	82	82	66	66	84	84	78	78	62	62	80	80	74	74	58	58	77	77	71	71	54	54	74	74	69	69	51	51	71	71	66	66	49	49	69	69	62	62	46	46	96	96	83	83	67	67
D	0 to 3	Array Interior	96	87	78	78	70	70	96	83	75	75	67	67	96	79	71	71	62	62	95	76	68	68	58	58	91	73	65	65	55	55	88	70	62	62	52	52	85	68	59	59	50	50							
		Array Edge	95	76	68	68	58	58	90	72	64	64	54	54	86	69	60	60	51	51	82	66	56	56	48	48	79	62	53	53	45	45	76	59	50	50	42	42	74	56	48	48	40	40							
	3 to 10	Array Interior	96	96	89	96	75	85	96	96	85	91	72	81	92	92	81	87	68	78	89	89	78	83	65	75	85	85	75	80	61	72	82	82	72	77	58	69	79	79	69	75	55	67	96	96	83	83	67	67	
		Array Edge	88	88	77	83	64	74	84	84	74	79	60	71	80	80	70	76	56	68	77	77	67	72	53	64	74	74	64	70	50	60	71	71	60	67	47	57	69	69	57	64	45	54	96	96	83	83	67	67	
	10 to 30	Array Interior	96	96	89	89	72	72	91	91	85	85	69	69	87	87	81	81	65	65	83	83	78	78	61	61	80	80	74	74	58	58	77	77	72	72	55	55	74	74	69	69	52	52	96	96	83	83	67	67	
		Array Edge	83	83	77	77	61	61	79	79	73	73	57	57	75	75	70	70	53	53	72	72	67	67	50	50	70	70	64	64	47	47	67	67	60	60	45	45	64	64	57	57	42	42	96	96	83	83	67	67	
25 psf	B	0 to 3	Array Interior	96	96	94	94	83	83	96	96	89	89	79	79	96	95	85	85	76	76	96	91	82	82	73	73	96	87	78	78	70	70	96	84	75	75	67	67	96	81	73	73	64	64						
			Array Edge	96	90	81	81	72	72	96	86	77	77	69	69	96	82	74	74	66	66	96	79	71	71	62	62	96	79	71	71	62	62	95	76	68	68	58	58	91	73	65	65	55	55	88	70	62	62	52	52
		3 to 10	Array Interior	96	96	96	96	90	96	96	96	96	85	96	96	96	96	96	82	93	96	96	89	76	75	89	96	96	89	96	75	85	96	96	86	92	72	82	94	94	83	89	70	79	96	89	83	89	70	79	
			Array Edge	96	96	92	96	78	88	96	96	88	94	74	84	96	96	84	90	71	80	92	92	80	86	68	77	88	88	77	83	65	74	85	85	74	80	61	71	82	82	72	77	58	69	79	79	67	79		
		10 to 30	Array Interior	104	104	104	104	86	86	104	104	101	101	82	82	104	104	97	97	78	78	100	100	92	92	75	75	96	96	89	89	72	72	92	92	86	86	70	70	89	89	83	83	67	67	87	87	72	72	55	55
			Array Edge	99	99	92	92	75	75	94	94	88	88	71	71	90	90	84	84	68	68	86	86	80	80	65	65	93	93	83	83	77	77	61	61	80	80	74	74	58	58	79	79	73	73	62	62	46	46		
	C	0 to 3	Array Interior	96	92	83	83	74	74	96	88	79	79	71	71	96	84	76	76	68	68	86	81	73	73	64	64	96	77	70	70	60	60	93	75	67	67	57	57	90	72	64	64	54	54						
			Array Edge	96	80	72	72	63	63	96	76	69	69	59	59	91	73	65	65	55	55	87	70	61	61	52	52	84	67	58	58	49	49	81	64	55	55	46	46	78	61	52	52	44	44						
		3 to 10	Array Interior	96	96	94	96	80	91	96	96	90	96	76	86	96	96	86	92	73	82	94	94	82	89	70	79	90	90	79	85	67	76	87	87	76	82	63	73	84	84	74	79	60	71	96	96	83	83	69	49
			Array Edge	93	93	82	88	69	79	89	89	78	84	66	75	85	85	75	80	61	72	81	81	71	77	58	69	78	78	69	74	54	66	75	75	66	71	51	62	73	73	63	69	49	59	96	96	83	83	69	49
		10 to 30	Array Interior	101	101	94	94	76	76	97	97	90	90	73	73	92	92	86	86	70	70	88	88	82	82	67	67	85	85	79	79	63	63	82	82	76	76	60	60	79	79	73	73	57	57	87	87	72	72	55	55
			Array Edge	88	88	82	82	66	66	84	84	78	78	62	62	80	80	74	74	58	58	77	77	71	71	54	54	74	74	69	69	51	51	71	71	66	66	49	49	69	69	62	62	46	46	96	96	83	83	67	67
D	0 to 3	Array Interior	96	87	78	78	70	70	96	83	75	75	67	67	96	79	71	71	62	62	95	76	68	68	58	58	91	73	65	65	55	55	88	70	62	62	52	52	85	68	59	59	50	50							
		Array Edge	95	76	68	68	58	58	90	72	64	64	54	54	86	69	60	60	51	51	82	66	56	56	48	48	79	62	53	53	45	45	76	59	50	50	42	42	74	56	48	48	40	40							
	3 to 10	Array Interior	96	96	89	96	75	85	96	96	85	91	72	81	92	92	81	87	68	78	89	89	78	83	65	75	85	85	75	80	61	72	82	82	72	77	58	69	79	79	69	75	55	67	96	96	83	83	67	67	
		Array Edge	88	88	77	83	64	74	84	84	74	79	60	71	80	80	70	76	56	68	77	77	67	72	53	64	74	74	64	70	50	60	71	71	60	67	47	57	69	69	57	64	45	54	96	96	83	83	67	67	
	10 to 30																																																		



Maximum Rail Spans (Inches)			K2 Systems 48-XL Flush-Mount Dual Rail, Enclosed Mono Slope Roof 0-30ft, 72 Cell(L) Rail Only																																												
Ground Snow Load	Exposure Category	Panel Angle	Wind Speed -> 140 mph						150 mph						160 mph						170 mph						180 mph						190 mph						200 mph								
			Roof Zone ->						1'	1'	2'	2'	3'	3'	1'	1'	2'	2'	3'	3'	1'	1'	2'	2'	3'	3'	1'	1'	2'	2'	3'	3'	1'	1'	2'	2'	3'	3'	1'	1'	2'	2'	3'	3'			
40 psf	B	0 to 3	Array Interior	89	89	89	89	83	83	89	89	89	89	79	79	89	89	85	85	76	76	89	89	82	82	73	73	89	87	78	78	70	70	89	84	75	75	67	67	89	81	73	73	64	64		
			Array Edge	89	89	81	81	72	72	89	86	77	77	69	69	89	82	74	74	66	66	89	89	71	71	62	62	89	76	68	68	58	58	89	73	65	65	55	55	88	70	62	62	52	52		
		3 to 10	Array Interior	90	90	90	90	90	90	90	90	90	90	85	85	90	90	90	90	82	82	90	90	90	90	78	78	90	90	89	90	75	75	85	90	86	90	72	72	80	90	83	89	70	79		
			Array Edge	90	90	90	90	78	88	90	90	88	90	74	84	90	90	84	90	71	80	90	90	80	86	68	77	88	88	77	83	65	74	85	85	74	80	61	71	82	82	72	77	58	69		
		10 to 30	Array Interior	96	96	96	96	86	86	96	96	96	96	82	82	96	96	96	96	78	78	96	96	92	92	75	75	96	96	89	89	72	72	92	92	86	86	70	70	89	89	83	83	67	67		
			Array Edge	96	96	92	92	75	75	94	94	88	88	71	71	96	90	84	84	68	68	86	86	80	80	65	65	93	83	77	77	61	61	82	80	74	74	58	58	79	77	72	72	55	55		
	C	0 to 3	Array Interior	89	89	83	83	74	74	89	88	79	79	71	71	89	84	76	76	68	68	89	81	73	73	64	64	89	77	70	70	60	60	89	75	67	67	57	57	89	72	64	64	54	54		
			Array Edge	89	80	72	72	63	63	89	76	69	69	59	59	89	73	65	65	55	55	87	70	61	61	52	52	84	67	58	58	49	49	81	64	55	55	46	46	78	61	52	52	44	44		
		3 to 10	Array Interior	90	90	90	90	80	90	90	90	90	76	86	90	90	86	90	73	82	90	90	82	89	70	79	82	90	90	79	85	67	76	87	87	76	82	63	73	84	84	74	79	60	71		
			Array Edge	90	90	82	88	69	79	89	89	78	84	66	75	85	85	75	80	61	72	81	81	71	77	58	69	78	78	69	74	54	66	75	75	66	71	51	62	73	73	63	69	49	59		
		10 to 30	Array Interior	96	96	94	94	76	76	96	96	90	90	73	73	92	92	86	86	70	70	88	88	82	82	67	67	85	85	79	79	63	63	82	82	76	76	60	60	79	79	73	73	57	57		
			Array Edge	88	88	82	82	66	66	84	84	78	78	62	62	80	80	74	74	58	58	77	77	71	71	54	54	74	74	69	69	51	51	71	71	66	66	49	49	69	69	62	62	46	46		
D	0 to 3	Array Interior	92	87	78	78	70	70	92	83	75	75	67	67	92	79	71	71	62	62	92	76	68	68	58	58	91	73	65	65	55	55	88	70	62	62	52	52	85	68	59	59	50	50			
		Array Edge	92	76	68	68	58	58	90	72	64	64	54	54	86	69	60	60	51	51	82	66	56	56	48	48	79	62	53	53	45	45	76	59	50	50	42	42	74	56	48	48	40	40			
	3 to 10	Array Interior	92	92	89	92	75	85	92	92	85	91	72	81	92	92	81	87	68	78	89	89	78	83	65	75	85	85	75	80	61	72	82	82	72	77	58	69	79	79	69	75	55	67			
		Array Edge	88	88	77	83	64	74	84	84	74	79	60	71	80	80	70	76	56	68	77	77	67	72	53	64	74	74	64	70	50	60	71	71	60	67	47	57	69	69	57	64	45	54			
	10 to 30	Array Interior	96	96	89	89	72	72	91	91	85	85	69	69	87	87	81	81	65	65	83	83	78	78	61	61	80	80	74	74	58	58	77	77	72	72	55	55	74	74	69	69	52	52			
		Array Edge	83	83	77	77	61	61	79	79	73	73	57	57	75	75	70	70	53	53	72	72	67	67	50	50	70	70	64	64	47	47	67	67	60	60	45	45	64	64	57	57	42	42			
45 psf	B	0 to 3	Array Interior	87	87	87	87	83	83	87	87	87	87	79	79	87	87	85	85	76	76	87	87	82	82	73	73	87	87	78	78	70	70	87	84	75	75	67	67	87	81	73	73	64	64		
			Array Edge	87	87	81	81	72	72	87	86	77	77	69	69	87	82	74	74	66	66	87	79	71	71	62	62	87	76	68	68	58	58	87	73	65	65	55	55	86	70	62	62	52	52		
		3 to 10	Array Interior	87	87	87	87	87	87	87	87	87	87	87	87	87	87	87	87	87	87	87	87	87	87	87	87	87	87	87	87	87	87	87	87	87	87	87	87	87	87	87	87	87	87	87	87
			Array Edge	87	87	87	87	78	87	87	87	87	87	74	84	87	87	84	87	71	80	87	87	80	86	68	77	87	87	77	83	65	74	85	85	74	80	61	71	82	82	72	77	58	69		
		10 to 30	Array Interior	93	93	93	93	86	86	93	93	93	93	82	82	93	93	93	93	78	78	93	93	92	92	75	75	93	93	89	89	72	72	92	92	86	86	70	70	89	89	83	83	67	67		
			Array Edge	93	93	92	92	75	75	93	93	88	88	71	71	90	80	84	84	68	68	86	86	80	80	65	65	83	83	77	77	61	61	80	80	74	74	58	58	77	77	72	72	55	55		
	C	0 to 3	Array Interior	87	87	83	83	74	74	87	87	79	79	71	71	87	84	76	76	68	68	87	81	73	73	64	64	87	77	70	70	60	60	87	75	67	67	57	57	86	72	64	64	54	54		
			Array Edge	87	80	72	72	63	63	87	76	69	69	59	59	87	73	65	65	55	55	86	70	61	61	52	52	84	67	58	58	49	49	81	64	55	55	46	46	78	61	52	52	44	44		
		3 to 10	Array Interior	87	87	87	87	87	87	87	87	87	87	87	87	87	87	87	87	87	87	87	87	87	87	87	87	87	87	87	87	87	87	87	87	87	87	87	87	87	87	87	87	87	87	87	
			Array Edge	87	87	82	82	69	79	87	87	78	84	66	75	85	85	75	80	61	72	81	81	71	77	58	69	78	78	69	74	54	66	75	75	66	71	51	62	73	73	63	69	49	59		
		10 to 30	Array Interior	93	93	93	93	76	76	93	93	90	90	73	73	92	92	86	86	70	70	88	88	82	82	67	67	85	85	79	79	63	63	82	82	76	76	60	60	79	79	73	73	57	57		
			Array Edge	88	88	82	82	66	66	84	84	78	78	62	62	80	80	74	74	58	58	77	77	71	71	54	54	74	74	69	69	51	51	71	71	66	66	49	49	69	69	62	62	46	46		
D	0 to 3	Array Interior	89	87	78	78	70	70	89	83	75	75	67	67	89	79	71	71	62	62	89	76	68	68	58	58	89	73	65	65	55	55	88	70	62	62	52	52	85	68	59	59	50	50			
		Array Edge	89	76	68	68	58	58	89	72	64	64	54	54	86	69	60	60	51	51	82	66	56	56	48	48	79	62	53	53	45	45	76	59	50	50	42	42	74	56	48	48	40	40			
	3 to 10	Array Interior	90	90	89	90	75	85	90	90	85	90	72	81	90	90	81	87	68	78	89	89	78	83	65	75	85	85	75	80	61	72	82	82	72	77	58	69	79	79	69	75	55	67			
		Array Edge	88	88	77	83	64	74	84	84	74	79	60	71	80	80	70	76	56	68	77	77	67	72	53	64	74	74	64	70	50	60	71	71	60	67	47	57	69	69	57	64	45	54			
	10 to 30	Array Interior	96	96	89	89	72	72	91	91	85	85	69	69	87	87	81	81	65	65	83	83	78	78	61	61	80	80	74	74	58	58	77	77	72	72	55	55	74	74	69	69	52	52			
		Array Edge	83	83	77	77	61	61	79	79	73	73	57	57	75	75	70	70	53	53	72	72	67	67	50	50	70	70	64	64	47	47	67	67	60	60	45	45	64	64	57	57	42	42			
50 psf	B	0 to 3	Array Interior	84	84	84	84	83	83	84	84	84	84	79	79	84	84	84	84	76	76	84	84	82	82	73	73	84	84	78	78	70	70	84	84	75	75	67	67	84	84	74	74	64	64		
			Array Edge	84	84	81	81	72	72	84																																					





Maximum Rail Spans (Inches)			K2 Systems 48-XL Flush-Mount Dual Rail, Enclosed Mono Slope Roof 0-30ft, 72 Cell(P) Rail Only																																																				
Ground Snow Load	Exposure Category	Panel Angle	Wind Speed ->																																																				
			95 mph						100 mph						105 mph						110 mph						115 mph						120 mph						130 mph																
			Roof Zone ->																																																				
			1'	1	2'	2	3'	3	1'	1	2'	2	3'	3	1'	1	2'	2	3'	3	1'	1	2'	2	3'	3	1'	1	2'	2	3'	3	1'	1	2'	2	3'	3	1'	1	2'	2	3'	3											
0 psf	B	0 to 3	Array Interior	97	97	97	97	88	88	97	97	96	96	85	85	97	97	93	93	82	82	97	97	90	90	79	79	97	97	87	87	77	77	97	94	84	84	75	75	97	89	79	79	70	70	58	58								
			Array Edge	97	96	86	86	76	76	97	93	83	83	73	73	97	89	80	80	71	71	97	86	77	77	69	69	97	83	75	75	66	66	97	81	73	73	64	64	97	76	69	69	58	58	70	70	50	50						
		3 to 10	Array Interior	97	97	97	97	95	97	97	97	97	97	92	97	97	97	97	89	97	97	97	97	86	97	97	86	97	97	97	97	83	95	97	97	96	97	80	92	97	97	90	97	76	87	75	85	75	75	89	89	78	84	65	75
			Array Edge	97	97	97	97	82	94	97	97	97	97	79	91	97	97	91	97	76	87	97	97	88	95	74	84	97	97	85	92	72	82	95	95	83	89	69	79	89	89	78	84	65	75	87	87	68	77	67	77	61	61		
		10 to 30	Array Interior	98	98	98	98	91	91	98	98	98	98	88	88	98	98	98	85	85	98	98	98	82	82	98	98	79	79	98	98	98	98	79	79	89	89	96	96	77	77	97	97	90	90	73	73	61	61	61	61	61	61		
			Array Edge	98	98	98	98	79	79	98	98	94	94	76	76	98	98	91	91	73	73	95	95	88	88	71	71	97	95	85	88	68	77	98	98	82	82	67	67	84	84	78	78	61	61	61	61	61	61	61	61	61	61		
	C	0 to 3	Array Interior	97	97	88	88	78	78	97	95	85	85	75	75	97	92	82	82	73	73	97	88	79	79	70	70	97	86	77	77	68	68	97	83	74	74	66	66	97	78	70	70	61	61	61	61	61	61	61	61				
			Array Edge	97	85	76	76	68	68	97	82	73	73	64	64	97	79	71	71	61	61	96	76	69	69	58	58	93	74	66	66	56	56	90	72	63	63	53	53	85	68	58	58	49	49	80	62	53	53	45	45				
		3 to 10	Array Interior	97	97	97	97	84	97	97	97	97	81	93	97	97	94	97	78	90	97	97	90	97	76	87	97	97	90	97	76	87	97	97	87	95	73	84	97	97	85	92	71	81	92	92	80	86	67	77	67	77	61	61	
			Array Edge	97	97	87	94	73	83	96	96	84	90	70	80	93	93	81	87	68	77	89	89	78	84	65	75	86	86	75	81	62	72	84	84	73	79	59	70	79	79	69	74	55	66	64	64	55	66	64	64	47	47		
		10 to 30	Array Interior	98	98	98	98	81	81	98	98	97	97	78	78	98	98	93	93	75	75	97	97	90	90	73	73	94	94	87	87	70	70	91	91	84	84	68	68	86	86	80	80	64	64	61	61	61	61	61	61	61	61		
			Array Edge	93	93	86	86	70	70	90	90	83	83	67	67	87	87	80	80	64	64	84	84	78	78	61	61	84	84	78	78	61	61	81	81	75	75	58	58	79	79	73	73	56	56	74	74	69	69	51	51				
D	0 to 3	Array Interior	97	93	83	83	74	74	97	89	80	80	71	71	97	86	77	77	68	68	97	83	75	75	66	66	97	80	72	72	63	63	97	78	70	70	60	60	93	74	66	66	55	55	80	62	53	53	45	45					
		Array Edge	97	80	72	72	62	62	97	77	69	69	59	59	94	74	67	67	56	56	90	72	63	63	53	53	88	70	61	61	51	51	85	68	58	58	49	49	80	62	53	53	45	45	80	62	53	53	45	45					
	3 to 10	Array Interior	97	97	95	97	79	91	97	97	91	97	76	87	97	87	88	95	74	84	97	97	85	92	71	81	94	94	82	89	69	79	91	91	80	86	67	76	86	86	75	81	62	72	62	72	50	61	50	61	47	47			
		Array Edge	94	94	82	88	69	78	90	90	79	85	66	75	87	87	76	82	62	73	84	84	73	79	60	70	81	81	71	77	57	68	79	79	69	74	54	66	74	74	64	70	50	61	50	61	47	47							
	10 to 30	Array Interior	98	98	94	94	76	76	98	98	91	91	73	73	95	95	88	88	71	71	91	91	85	85	68	68	88	88	82	82	66	66	86	86	79	79	63	63	81	81	75	75	58	58	74	74	64	64	47	47					
		Array Edge	88	88	81	81	65	65	84	84	78	78	62	62	81	81	76	76	59	59	79	79	73	73	56	56	76	76	71	71	54	54	74	74	69	69	51	51	81	81	75	75	58	58	74	74	64	64	47	47					
5 psf	B	0 to 3	Array Interior	94	94	94	94	88	88	94	94	94	94	85	85	94	94	93	93	82	82	94	94	90	90	79	79	94	94	87	87	77	77	94	94	84	84	75	75	94	89	79	79	70	70	58	58								
			Array Edge	94	94	86	86	76	76	94	93	83	83	73	73	94	89	80	80	71	71	94	86	77	77	69	69	94	83	75	75	66	66	94	81	73	73	64	64	94	76	69	69	58	58	70	70	50	50						
		3 to 10	Array Interior	94	94	94	94	94	94	94	94	94	94	92	94	94	94	94	89	94	94	94	89	94	86	94	94	94	94	94	94	83	94	94	94	94	80	92	94	94	94	94	80	92	94	94	94	76	87	75	85	75	85		
			Array Edge	94	94	94	94	82	94	94	94	94	79	91	94	94	91	94	76	87	94	94	91	94	76	87	94	94	94	94	84	74	84	94	94	85	92	72	82	94	94	83	89	69	79	89	89	78	84	65	75				
		10 to 30	Array Interior	98	98	98	98	91	91	98	98	98	98	88	88	98	98	98	85	85	98	98	98	82	82	98	98	79	79	98	98	98	98	79	79	98	98	96	96	77	77	97	97	90	90	73	73	61	61	61	61	61	61		
			Array Edge	98	98	98	98	79	79	98	98	94	94	76	76	98	98	94	94	76	76	98	98	91	91	73	73	95	95	88	88	71	71	92	92	85	85	69	69	89	89	82	82	67	67	84	84	78	78	61	61				
	C	0 to 3	Array Interior	94	94	88	88	78	78	94	94	85	85	75	75	94	92	82	82	73	73	94	88	79	79	70	70	94	86	77	77	68	68	94	83	74	74	66	66	94	78	70	70	61	61	61	61	61	61	61	61				
			Array Edge	94	85	76	76	68	68	94	82	73	73	64	64	94	79	71	71	61	61	94	76	69	69	58	58	93	74	66	66	56	56	90	72	63	63	53	53	85	68	58	58	49	49	80	62	53	53	45	45				
		3 to 10	Array Interior	94	94	84	94	84	94	84	94	81	93	94	94	94	81	93	94	94	94	78	90	94	94	76	87	94	94	87	94	73	84	94	94	87	94	73	84	94	94	85	92	71	81	92	92	80	86	67	77	67	77	61	61
			Array Edge	94	94	87	94	73	83	94	94	84	90	70	80	93	93	81	87	68	77	89	89	78	84	65	75	86	86	75	81	62	72	84	84	73	79	59	70	79	79	69	74	55	66	64	64	55	66	64	64	47	47		
		10 to 30	Array Interior	98	98	98	98	81	81	98	98	97	97	78	78	98	98	93	93	75	75	97	97	90	90	73	73	94	94	87	87	70	70	91	91	84	84	68	68	86	86	80	80	64	64	61	61	61	61	61	61	61	61		
			Array Edge	93	93	86	86	70	70	90	90	83	83	67	67	87	87	80	80	64	64	84	84	78	78	61	61	84	84	78	78	61	61	81	81	75	75	58	58	79	79	73	73	56	56	74	74	69	69	51	51				
D	0 to 3	Array Interior	94	93	83	83	74	74	94	89	80	80	71	71	94	86	77	77	68	68	94	83	75	75	66	66	94	80	72	72	63	63	94	78	70	70	60	60	93	74	66	66	55	55	80	62	53	53	45	45					
		Array Edge	94	80	72	72	62	62	94	77	69	69	59	59	94	74	67	67	56	56	90	72	63	63	53	53	88	70	61	61	51	51	85	68	58	58	49	49	80	62	53	53	45	45	80	62	53	53	45	45					
	3 to 10	Array Interior	94	94	94	94	79	91	94	94	91	94	76	87	94	94	88	94	74	84																																			



Maximum Rail Spans (Inches)				K2 Systems 48-XL Flush-Mount Dual Rail, Enclosed Mono Slope Roof 0-30ft, 72 Cell(P) Rail Only																																									
Ground Snow Load	Exposure Category	Panel Angle	Wind Speed ->	140 mph						150 mph						160 mph						170 mph						180 mph						190 mph						200 mph					
			Roof Zone ->	1'	1	2'	2	3'	3	1'	1	2'	2	3'	3	1'	1	2'	2	3'	3	1'	1	2'	2	3'	3	1'	1	2'	2	3'	3	1'	1	2'	2	3'	3	1'	1	2'	2	3'	3
0 psf	B	0 to 3	Array Interior	97	84	75	75	67	67	97	80	72	72	62	62	96	76	68	68	58	58	92	73	65	65	55	55	88	70	61	61	51	51	85	67	58	58	49	49	81	64	55	55	46	46
			Array Edge	91	72	64	64	54	54	87	69	60	60	50	50	83	65	56	56	47	47	79	61	52	52	44	44	76	58	49	49	42	42	73	55	47	47	39	39	70	52	44	44	37	37
		3 to 10	Array Interior	97	97	86	93	72	82	94	84	81	88	68	78	89	89	78	84	65	75	85	85	74	80	61	71	82	82	71	77	57	69	79	79	69	74	54	66	76	76	66	71	51	62
			Array Edge	85	85	74	80	60	71	81	81	70	76	56	68	77	77	67	72	52	63	74	74	63	69	49	60	71	71	60	67	46	56	68	68	56	63	44	53	65	65	53	60	42	50
		10 to 30	Array Interior	92	92	85	85	69	69	88	88	81	81	65	65	83	83	77	77	61	61	80	80	74	74	57	57	77	77	71	71	54	54	74	74	69	69	51	51	71	71	66	66	48	48
			Array Edge	79	79	74	74	57	57	76	76	70	70	53	53	72	72	67	67	49	49	69	69	63	63	46	46	66	66	60	60	44	44	63	63	56	56	41	41	59	59	53	53	39	39
	C	0 to 3	Array Interior	94	74	67	67	56	56	89	71	62	62	52	52	85	68	58	58	49	49	81	64	54	54	46	46	78	60	51	51	43	43	75	57	48	48	41	41	72	54	46	46	39	39
			Array Edge	81	63	54	54	45	45	77	59	50	50	42	42	73	55	47	47	40	40	70	52	44	44	37	37	67	49	42	42	35	35	64	46	39	39	33	33	61	44	37	37	31	31
		3 to 10	Array Interior	87	87	76	82	62	73	83	83	72	78	58	69	79	79	69	74	54	66	75	75	66	71	51	62	72	72	62	68	48	58	70	70	58	65	45	55	67	67	55	62	43	52
			Array Edge	75	75	65	71	51	61	71	71	61	67	47	57	68	68	57	63	44	53	65	65	53	59	41	50	61	61	50	56	39	47	58	58	47	53	37	45	55	55	45	50	35	42
		10 to 30	Array Interior	81	81	76	76	59	59	78	78	72	72	55	55	74	74	69	69	51	51	71	71	66	66	48	48	68	68	62	62	45	45	65	65	58	58	43	43	62	62	55	55	41	41
			Array Edge	71	71	65	65	48	48	67	67	60	60	44	44	63	63	57	57	42	42	59	59	53	53	39	39	56	56	50	50	37	37	53	53	47	47	35	35	50	50	45	45	33	33
D	0 to 3	Array Interior	88	70	61	61	51	51	84	66	57	57	48	48	80	62	53	53	45	45	76	58	50	50	42	42	73	55	47	47	40	40	71	52	44	44	37	37	68	49	42	42	36	36	
		Array Edge	76	58	49	49	42	42	72	54	46	46	39	39	69	50	43	43	36	36	66	47	40	40	34	34	62	45	38	38	32	32	59	42	36	36	30	30	55	40	34	34	29	29	
	3 to 10	Array Interior	82	82	71	77	57	68	78	78	68	73	53	64	74	74	64	70	50	60	71	71	60	67	47	57	68	68	57	63	44	53	65	65	54	60	42	50	62	62	51	57	40	48	
		Array Edge	71	71	60	66	46	56	67	67	55	62	43	52	63	63	52	58	40	49	59	59	49	54	38	46	56	56	46	51	36	43	53	53	43	48	34	41	50	50	41	46	32	39	
	10 to 30	Array Interior	77	77	71	71	54	54	73	73	68	68	50	50	70	70	64	64	47	47	67	67	60	60	44	44	63	63	57	57	42	42	60	60	53	53	39	39	56	56	51	51	37	37	
		Array Edge	66	66	59	59	44	44	62	62	55	55	41	41	58	58	52	52	38	38	54	54	49	49	36	36	51	51	46	46	34	34	48	48	43	43	32	32	46	46	41	41	30	30	
5 psf	B	0 to 3	Array Interior	94	84	75	75	67	67	94	80	72	72	62	62	94	76	68	68	58	58	92	73	65	65	55	55	88	70	61	61	51	51	85	67	58	58	49	49	81	64	55	55	46	46
			Array Edge	91	72	64	64	54	54	87	69	60	60	50	50	83	65	56	56	47	47	79	61	52	52	44	44	76	58	49	49	42	42	73	55	47	47	39	39	70	52	44	44	37	37
		3 to 10	Array Interior	94	94	86	93	72	82	94	94	81	88	68	78	89	89	78	84	65	75	85	85	74	80	61	71	82	82	71	77	57	69	79	79	69	74	54	66	76	76	66	71	51	62
			Array Edge	85	85	74	80	60	71	81	81	70	76	56	68	77	77	67	72	52	63	74	74	63	69	49	60	71	71	60	67	46	56	68	68	56	63	44	53	65	65	53	60	42	50
		10 to 30	Array Interior	92	92	85	85	69	69	88	88	81	81	65	65	87	87	77	77	61	61	80	80	74	74	57	57	77	77	71	71	54	54	74	74	69	69	51	51	71	71	66	66	48	48
			Array Edge	79	79	74	74	57	57	76	76	70	70	53	53	72	72	67	67	49	49	69	69	63	63	46	46	66	66	60	60	44	44	63	63	56	56	41	41	59	59	53	53	39	39
	C	0 to 3	Array Interior	94	74	67	67	56	56	89	71	62	62	52	52	85	68	58	58	49	49	81	64	54	54	46	46	78	60	51	51	43	43	75	57	48	48	41	41	72	54	46	46	39	39
			Array Edge	81	63	54	54	45	45	77	59	50	50	42	42	73	55	47	47	40	40	70	52	44	44	37	37	67	49	42	42	35	35	64	46	39	39	33	33	61	44	37	37	31	31
		3 to 10	Array Interior	87	87	76	82	62	73	83	83	72	78	58	69	79	79	69	74	54	66	75	75	66	71	51	62	72	72	62	68	48	58	70	70	58	65	45	55	67	67	55	62	43	52
			Array Edge	75	75	65	71	51	61	71	71	61	67	47	57	68	68	57	63	44	53	65	65	53	59	41	50	61	61	50	56	39	47	58	58	47	53	37	45	55	55	45	50	35	42
		10 to 30	Array Interior	81	81	76	76	59	59	78	78	72	72	55	55	74	74	69	69	51	51	71	71	66	66	48	48	68	68	62	62	45	45	65	65	58	58	43	43	62	62	55	55	41	41
			Array Edge	71	71	65	65	48	48	67	67	60	60	44	44	63	63	57	57	42	42	59	59	53	53	39	39	56	56	50	50	37	37	53	53	47	47	35	35	50	50	45	45	33	33
D	0 to 3	Array Interior	88	70	61	61	51	51	84	66	57	57	48	48	80	62	53	53	45	45	76	58	50	50	42	42	73	55	47	47	40	40	71	52	44	44	37	37	68	49	42	42	36	36	
		Array Edge	76	58	49	49	42	42	72	54	46	46	39	39	69	50	43	43	36	36	66	47	40	40	34	34	62	45	38	38	32	32	59	42	36	36	30	30	55	40	34	34	29	29	
	3 to 10	Array Interior	82	82	71	77	57	68	78	78	68	73	53	64	74	74	64	70	50	60	71	71	60	67	47	57	68	68	57	63	44	53	65	65	54	60	42	50	62	62	51	57	40	48	
		Array Edge	71	71	60	66	46	56	67	67	55	62	43	52	63	63	52	58	40	49	59	59	49	54	38	46	56	56	46	51	36	43	53	53	43	48	34	41	50	50	41	46	32	39	
	10 to 30	Array Interior	77	77	71	71	54	54	73	73	68	68	50	50	70	70	64	64	47	47	67	67	60	60	44	44	63	63	57	57	42	42	60	60	53	53	39	39	56	56	51	51	37	37	
		Array Edge	66	66	59	59	44	44	62	62	55	55	41	41	58	58	52	52	38	38	54	54	49	49	36	36	51	51	46	46	34	34	48	48	43	43	32	32	46	46	41	41	30	30	
10 psf	B	0 to 3	Array Interior	87	84	75	75	67	67	87	80	72	72	62	62	87	76	68	68	58	58	84	73	65	65	55	55	87	70	61	61	51	51	85	67	58	58	49	49	81	64	55	55	46	46
			Array Edge	87	72	64	64	5																																					



Maximum Rail Spans (Inches)			K2 Systems 48-XL Flush-Mount Dual Rail, Enclosed Mono Slope Roof 0-30ft, 72 Cell(P) Rail Only																																																		
Ground Snow Load	Exposure Category	Panel Angle	Wind Speed ->		140 mph						150 mph						160 mph						170 mph						180 mph						190 mph						200 mph												
			Roof Zone ->		1'	1	2'	2	3'	3	1'	1	2'	2	3'	3	1'	1	2'	2	3'	3	1'	1	2'	2	3'	3	1'	1	2'	2	3'	3	1'	1	2'	2	3'	3	1'	1	2'	2	3'	3							
20 psf	B	0 to 3	Array Interior	77	77	75	75	67	67	77	77	72	72	62	62	77	76	68	68	58	58	77	73	65	65	55	55	77	70	61	61	51	51	77	67	58	58	49	49	77	64	55	55	46	46	77	62	44	44	37	37		
			Array Edge	77	72	64	64	54	54	77	69	60	60	50	50	77	65	56	56	47	47	77	61	52	52	44	44	76	58	49	49	42	42	73	55	47	47	39	39	70	52	44	44	37	37								
		3 to 10	Array Interior	77	77	77	77	72	72	77	77	77	77	68	68	77	77	77	77	65	65	77	77	74	77	61	71	77	77	71	77	57	69	77	77	69	74	54	66	76	76	66	71	51	62	50	50	60	60	42	42	50	50
			Array Edge	77	77	74	77	60	71	77	77	70	76	56	68	77	77	67	72	52	63	74	74	63	69	49	60	71	77	60	67	46	56	68	68	56	63	44	53	65	65	53	60	42	50	50	50	35	42	50	50		
		10 to 30	Array Interior	87	87	85	85	69	69	87	87	81	81	65	65	83	83	77	77	61	61	80	80	74	74	57	57	77	77	71	71	54	54	74	74	69	69	51	51	71	71	66	66	48	48	39	39	48	48	39	39		
			Array Edge	79	79	74	74	57	57	76	76	70	70	53	53	72	72	67	67	49	49	69	69	63	63	46	46	66	66	60	60	44	44	63	63	56	56	41	41	59	59	53	53	39	39	59	59	39	39				
	C	0 to 3	Array Interior	77	74	67	67	56	56	77	71	62	62	52	52	77	68	58	58	49	49	77	64	54	54	46	46	77	60	51	51	43	43	75	57	48	48	41	41	72	54	46	46	39	39	46	46	31	31	31	31		
			Array Edge	77	63	54	54	45	45	77	59	50	50	42	42	73	55	47	47	40	40	70	52	44	44	37	37	67	49	42	42	35	35	64	46	39	39	33	33	61	44	37	37	31	31	61	44	37	37				
		3 to 10	Array Interior	77	77	76	77	62	73	77	77	72	77	58	69	77	77	69	74	54	66	75	75	66	71	51	62	72	72	62	68	48	58	70	70	58	65	45	55	67	67	55	62	43	52	50	50	35	42	50	50		
			Array Edge	75	75	65	71	51	61	71	71	61	67	47	57	68	68	57	63	44	53	65	65	53	59	41	50	61	61	50	56	39	47	58	58	47	53	37	45	55	55	45	50	35	42	50	50						
		10 to 30	Array Interior	81	81	76	76	59	59	78	78	72	72	55	55	74	74	69	69	51	51	71	71	66	66	48	48	68	68	62	62	45	45	65	65	58	58	43	43	62	62	55	55	41	41	59	59	45	45	33	33		
			Array Edge	71	71	65	65	48	48	67	67	60	60	44	44	63	63	57	57	42	42	59	59	53	53	39	39	56	56	50	50	37	37	53	53	47	47	35	35	50	50	45	45	33	33	50	50	45	45				
D	0 to 3	Array Interior	77	70	61	61	51	51	77	66	57	57	48	48	77	62	53	53	45	45	76	58	50	50	42	42	73	55	47	47	40	40	71	52	44	44	37	37	68	49	42	42	36	36	55	46	34	29	29	29			
		Array Edge	76	58	49	49	42	42	72	54	46	46	39	39	69	50	43	43	36	36	66	47	40	40	34	34	62	45	38	38	32	32	59	42	36	36	30	30	55	40	34	29	29	29	29	29	29						
	3 to 10	Array Interior	77	77	71	77	57	68	77	77	68	73	53	64	74	74	64	70	50	60	71	71	60	67	47	57	68	68	57	63	44	53	65	65	54	60	42	50	62	62	51	57	40	48	39	39	48	48	39	39			
		Array Edge	71	71	60	66	46	56	67	67	55	62	43	52	63	63	52	58	40	49	59	59	49	54	38	46	56	56	46	51	36	43	53	53	43	48	34	41	50	50	41	46	32	39	48	48	39	39					
	10 to 30	Array Interior	77	77	71	71	54	54	73	73	68	68	50	50	70	70	64	64	47	47	67	67	60	60	44	44	63	63	57	57	42	42	60	60	53	53	39	39	56	56	51	51	37	37	56	56	51	51					
		Array Edge	66	66	59	59	44	44	62	62	55	55	41	41	58	58	52	52	38	38	54	54	49	49	36	36	51	51	46	46	34	34	48	48	43	43	32	32	46	46	41	41	30	30	46	46	41	41					
25 psf	B	0 to 3	Array Interior	77	77	75	75	67	67	77	77	72	72	62	62	77	76	68	68	58	58	77	73	65	65	55	55	77	70	61	61	51	51	77	67	58	58	49	49	77	64	55	55	46	46	77	62	44	44	37	37		
			Array Edge	77	72	64	64	54	54	77	69	60	60	50	50	77	65	56	56	47	47	77	61	52	52	44	44	76	58	49	49	42	42	73	55	47	47	39	39	70	52	44	44	37	37								
		3 to 10	Array Interior	77	77	77	77	72	77	77	77	77	68	77	77	77	67	77	65	75	77	77	74	77	61	71	77	77	71	77	57	69	77	77	69	74	54	66	76	76	66	71	51	62	50	50	60	60	42	42	50	50	
			Array Edge	77	77	74	77	60	71	77	77	70	76	56	68	77	77	67	72	52	63	74	74	63	69	49	60	71	77	60	67	46	56	68	68	56	63	44	53	65	65	53	60	42	50	50	50	35	42	50	50		
		10 to 30	Array Interior	84	84	84	84	69	69	84	84	81	81	65	65	83	83	77	77	61	61	80	80	74	74	57	57	77	77	71	71	54	54	74	74	69	69	51	51	71	71	66	66	48	48	39	39	48	48	39	39		
			Array Edge	79	79	74	74	57	57	76	76	70	70	53	53	72	72	67	67	49	49	69	69	63	63	46	46	66	66	60	60	44	44	63	63	56	56	41	41	59	59	53	53	39	39	59	59	39	39				
	C	0 to 3	Array Interior	77	74	67	67	56	56	77	71	62	62	52	52	77	68	58	58	49	49	77	64	54	54	46	46	77	60	51	51	43	43	75	57	48	48	41	41	72	54	46	46	39	39	46	46	31	31	31	31		
			Array Edge	77	63	54	54	45	45	77	59	50	50	42	42	73	55	47	47	40	40	70	52	44	44	37	37	67	49	42	42	35	35	64	46	39	39	33	33	61	44	37	37	31	31	61	44	37	37				
		3 to 10	Array Interior	77	77	76	77	62	73	77	77	72	77	58	69	77	77	69	74	54	66	75	75	66	71	51	62	72	72	62	68	48	58	70	70	58	65	45	55	67	67	55	62	43	52	50	50	35	42	50	50		
			Array Edge	75	75	65	71	51	61	71	71	61	67	47	57	68	68	57	63	44	53	65	65	53	59	41	50	61	61	50	56	39	47	58	58	47	53	37	45	55	55	45	50	35	42	50	50						
		10 to 30	Array Interior	81	81	76	76	59	59	78	78	72	72	55	55	74	74	69	69	51	51	71	71	66	66	48	48	68	68	62	62	45	45	65	65	58	58	43	43	62	62	55	55	41	41	59	59	45	45	33	33		
			Array Edge	71	71	65	65	48	48	67	67	60	60	44	44	63	63	57	57	42	42	59	59	53	53	39	39	56	56	50	50	37	37	53	53	47	47	35	35	50	50	45	45	33	33	50	50	45	45				
D	0 to 3	Array Interior	77	70	61	61	51	51	77	66	57	57	48	48	77	62	53	53	45	45	76	58	50	50	42	42	73	55	47	47	40	40	71	52	44	44	37	37	68	49	42	42	36	36	55	46	34	29	29	29			
		Array Edge	76	58	49	49	42	42	72	54	46	46	39	39	69	50	43	43	36	36	66	47	40	40	34	34	62	45	38	38	32	32	59	42	36	36	30	30	55	40	34	29	29	29	29	29	29						
	3 to 10	Array Interior	77	77	71	77	57	68	77	77	68	73	53	64	74	74	64	70	50	60	71	71	60	67	47	57	68	68	57	63	44	53	65	65	54	60	42	50	62	62	51	57	40	48	39	39	48	48	39	39			
		Array Edge	71	71	60	66	46	56	67	67	55	62	43	52	63	63	52	58	40	49	59	59	49	54	38	46	56	56	46	51	36	43																					



Maximum Rail Spans (Inches)				K2 Systems 48-XL Flush-Mount Dual Rail, Enclosed Mono Slope Roof 0-30ft, 72 Cell(P) Rail Only																																												
Ground Snow Load	Exposure Category	Panel Angle	Wind Speed ->	140 mph						150 mph						160 mph						170 mph						180 mph						190 mph						200 mph								
			Roof Zone ->	1'	1	2'	2	3'	3	1'	1	2'	2	3'	3	1'	1	2'	2	3'	3	1'	1	2'	2	3'	3	1'	1	2'	2	3'	3	1'	1	2'	2	3'	3	1'	1	2'	2	3'	3			
40 psf	B	0 to 3	Array Interior	69	69	69	69	67	67	69	69	69	69	62	62	69	69	68	68	58	58	69	69	65	65	55	55	69	69	61	61	51	51	69	67	58	58	49	49	69	64	55	55	46	46	37	37	
			Array Edge	69	69	64	64	54	54	69	69	60	60	50	50	69	65	56	56	47	47	69	61	52	52	44	44	69	58	49	49	42	42	69	55	47	47	39	39	68	52	44	44	37	37			
		3 to 10	Array Interior	70	70	70	70	70	70	70	70	70	70	68	70	70	70	70	65	70	70	70	70	70	61	70	61	70	70	70	70	57	69	70	70	69	70	54	66	70	70	66	70	51	62	50	50	
			Array Edge	70	70	70	70	60	70	70	70	70	70	56	68	70	70	67	70	52	63	70	70	63	69	49	60	70	70	60	67	46	56	68	68	56	63	44	53	65	65	53	60	42	50			
		10 to 30	Array Interior	77	77	77	77	69	69	77	77	77	77	65	65	77	77	77	61	61	77	77	74	74	57	57	77	77	71	71	54	54	74	74	69	69	51	51	71	59	53	53	39	39	66	66	48	48
			Array Edge	77	77	74	74	57	57	76	76	70	70	53	53	72	72	67	67	49	49	69	69	63	63	46	46	66	66	60	60	44	44	73	63	56	56	41	41	59	59	53	53	39	39	66	66	48
	C	0 to 3	Array Interior	69	69	67	67	56	56	69	69	62	62	52	52	69	68	58	58	49	49	69	64	54	54	46	46	69	60	51	51	43	43	69	57	48	48	41	41	68	54	46	46	39	39			
			Array Edge	69	63	54	54	45	45	69	59	50	50	42	42	69	55	47	47	40	40	68	52	44	44	37	37	67	49	42	42	35	35	64	46	39	39	33	33	61	44	37	37	31	31			
		3 to 10	Array Interior	70	70	70	70	62	70	70	70	70	58	69	70	70	69	70	54	66	70	70	66	70	51	62	70	70	62	68	48	58	70	70	58	65	45	55	67	67	55	62	43	52				
			Array Edge	70	70	65	70	51	61	70	70	61	67	47	57	68	68	57	63	44	53	65	65	53	59	41	50	61	61	50	56	39	47	58	58	47	53	37	45	55	55	45	50	35	42			
		10 to 30	Array Interior	77	77	76	76	59	59	77	77	72	72	55	55	74	74	69	69	51	51	71	71	66	66	48	48	68	68	62	62	45	45	65	65	58	58	43	43	62	62	55	55	41	41			
			Array Edge	71	71	65	65	48	48	67	67	60	60	44	44	73	63	57	57	42	42	59	59	53	53	39	39	56	56	50	50	37	37	53	53	47	47	35	35	50	50	45	45	33	33			
D	0 to 3	Array Interior	72	70	61	61	51	51	72	66	57	57	48	48	72	62	53	53	45	45	72	58	50	50	42	42	71	55	47	47	40	40	70	52	44	44	37	37	68	49	42	42	36	36				
		Array Edge	72	58	49	49	42	42	71	54	46	46	39	39	69	50	43	43	36	36	66	47	40	40	34	34	62	45	38	38	32	32	59	42	36	36	30	30	55	40	34	34	29	29				
	3 to 10	Array Interior	73	73	71	73	57	68	73	73	68	73	53	64	73	73	64	70	50	60	71	71	60	67	47	57	68	68	57	63	44	53	65	65	54	60	42	50	62	62	51	57	40	48				
		Array Edge	71	71	60	66	46	56	67	67	55	62	43	52	63	63	52	58	40	49	59	59	49	54	38	46	56	56	46	51	36	43	53	53	43	48	34	41	50	50	41	46	32	39				
	10 to 30	Array Interior	77	77	71	71	54	54	73	73	68	68	50	50	70	70	64	64	47	47	67	67	60	60	44	44	63	63	57	57	42	42	60	60	53	53	39	39	56	56	51	51	37	37				
		Array Edge	66	66	59	59	44	44	62	62	55	55	41	41	58	58	52	52	38	38	54	54	49	49	36	36	51	51	46	46	34	34	48	48	43	43	32	32	46	46	41	41	30	30				
45 psf	B	0 to 3	Array Interior	66	66	66	66	66	66	66	66	62	62	66	66	66	66	58	58	66	66	65	65	55	55	66	66	61	61	51	51	66	66	58	58	49	49	66	64	55	55	46	46	37	37			
			Array Edge	66	66	64	64	54	54	66	66	60	60	50	50	66	65	56	56	47	47	66	61	52	52	44	44	66	58	49	49	42	42	66	55	47	47	39	39	65	52	44	44	37	37			
		3 to 10	Array Interior	67	67	67	67	67	67	67	67	67	67	67	67	67	67	67	65	67	67	67	67	67	61	67	67	67	67	67	67	57	67	67	67	67	67	67	67	67	67	67	67	67	67	67	67	67
			Array Edge	67	67	67	67	60	67	67	67	67	67	56	67	67	67	67	52	63	67	67	67	67	67	49	60	67	67	60	67	46	56	67	67	66	63	44	53	65	65	53	60	42	50			
		10 to 30	Array Interior	74	74	74	74	69	69	74	74	74	74	65	65	74	74	74	74	61	61	74	74	74	74	57	57	74	74	71	71	54	54	74	74	69	69	51	51	71	71	66	66	48	48			
			Array Edge	74	74	74	74	57	57	74	74	70	70	53	53	72	72	67	67	49	49	69	69	63	63	46	46	66	66	60	60	44	44	63	63	57	57	42	42	60	60	53	53	39	39			
	C	0 to 3	Array Interior	66	66	66	66	56	56	66	66	62	62	52	52	66	66	58	58	49	49	66	64	54	54	46	46	66	60	51	51	43	43	66	57	48	48	41	41	66	54	46	46	39	39			
			Array Edge	66	63	54	54	45	45	66	59	50	50	42	42	66	55	47	47	40	40	65	52	44	44	37	37	64	49	42	42	35	35	63	46	39	39	33	33	61	44	37	37	31	31			
		3 to 10	Array Interior	67	67	67	67	62	67	67	67	67	58	67	67	67	67	67	67	67	67	67	67	67	61	67	67	67	67	67	67	67	58	67	67	67	67	67	67	67	67	67	67	67	67	67	67	67
			Array Edge	67	67	65	67	51	61	67	67	61	67	47	57	67	67	57	63	44	53	65	65	53	59	41	50	61	61	50	56	39	47	58	58	47	53	37	45	55	55	45	50	35	42			
		10 to 30	Array Interior	74	74	74	74	59	59	74	74	72	72	55	55	74	74	69	69	51	51	71	71	66	66	48	48	68	68	62	62	45	45	65	65	58	58	43	43	62	62	55	55	41	41			
			Array Edge	71	71	65	65	48	48	67	67	60	60	44	44	73	63	57	57	42	42	59	59	53	53	39	39	56	56	50	50	37	37	53	53	47	47	35	35	50	50	45	45	33	33			
D	0 to 3	Array Interior	69	69	61	61	51	51	69	66	57	57	48	48	69	62	53	53	45	45	69	58	50	50	42	42	69	55	47	47	40	40	68	52	44	44	37	37	67	49	42	42	36	36				
		Array Edge	69	58	49	49	42	42	68	54	46	46	39	39	67	50	43	43	36	36	66	47	40	40	34	34	62	45	38	38	32	32	59	42	36	36	30	30	55	40	34	34	29	29				
	3 to 10	Array Interior	70	70	70	70	57	68	70	70	68	70	53	64	70	70	64	70	50	60	70	70	60	67	47	57	68	68	57	63	44	53	65	65	54	60	42	50	62	62	51	57	40	48				
		Array Edge	70	70	60	66	46	56	67	67	55	62	43	52	63	63	52	58	40	49	59	59	49	54	38	46	56	56	46	51	36	43	53	53	43	48	34	41	50	50	41	46	32	39				
	10 to 30	Array Interior	77	77	71	71	54	54	73	73	68	68	50	50	70	70	64	64	47	47	67	67	60	60	44	44	63	63	57	57	42	42	60	60	53	53	39	39	56	56	51	51	37	37				
		Array Edge	66	66	59	59	44	44	62	62	55	55	41	41	58	58	52	52	38	38	54	54	49	49	36	36	51	51	46	46	34	34	48	48	43	43	32	32	46	46	41	41	30	30				
50 psf	B	0 to 3	Array Interior	63	63	63	63	63	63	63	62	62	63	63	63	63	58	58	63	63	63	63	55	55	63	63	61	61	51	51	63	63	58	58	49													









Maximum Rail Spans (Inches)			K2 Systems 48-XL Flush-Mount Dual Rail, Enclosed Mono Slope Roof 30-60ft, 72 Cell(L) Rail Only																																										
Ground Snow Load	Exposure Category	Panel Angle	Wind Speed ->																																										
			140 mph						150 mph						160 mph						170 mph						180 mph						190 mph						200 mph						
			Roof Zone ->																																										
			1'	1	2'	2	3'	3	1'	1	2'	2	3'	3	1'	1	2'	2	3'	3	1'	1	2'	2	3'	3	1'	1	2'	2	3'	3	1'	1	2'	2	3'	3	1'	1	2'	2	3'	3	
0 psf	B	0 to 3	Array Interior	121	97	87	87	78	78	117	93	83	83	74	74	111	88	80	80	71	71	106	85	76	76	68	68	102	81	73	73	65	65	98	78	71	71	61	61	95	76	68	68	58	58
			Array Edge	106	84	76	76	68	68	101	80	72	72	63	63	96	77	69	69	59	59	92	74	66	66	56	56	88	71	62	62	53	53	85	68	59	59	50	50	82	65	56	56	47	47
		3 to 10	Array Interior	114	114	99	107	84	95	108	108	95	102	80	91	103	103	90	97	76	87	99	89	87	93	73	83	95	95	83	89	70	80	91	91	80	86	68	77	88	88	77	83	65	63
			Array Edge	98	98	86	93	73	83	94	94	82	88	69	79	89	89	78	84	66	75	86	86	75	81	62	72	82	82	72	78	58	69	79	79	70	75	55	67	76	76	67	72	52	64
		10 to 30	Array Interior	107	107	99	99	80	80	102	102	94	94	77	77	97	97	90	90	73	73	93	93	86	86	70	70	89	89	83	83	68	68	86	86	80	80	64	64	83	83	77	77	61	61
			Array Edge	92	92	86	86	70	70	88	88	82	82	67	67	84	84	78	78	62	62	81	81	75	75	59	59	79	79	77	72	55	55	75	75	69	69	52	52	72	72	67	67	50	50
	C	0 to 3	Array Interior	110	88	79	79	70	70	105	83	75	75	67	67	100	80	72	72	63	63	96	76	69	69	59	59	92	73	66	66	56	56	88	71	62	62	53	53	85	68	59	59	50	50
			Array Edge	95	76	68	68	58	58	91	72	65	65	54	54	86	69	60	60	51	51	83	66	57	57	48	48	80	63	54	54	45	45	77	59	51	51	43	43	74	56	48	48	41	41
		3 to 10	Array Interior	102	102	89	96	75	86	97	97	85	92	72	82	93	93	81	88	69	78	89	89	78	84	66	75	86	86	75	81	62	72	82	82	72	78	59	69	79	79	70	75	56	67
			Array Edge	89	89	78	83	65	75	84	84	74	80	61	71	81	81	71	76	57	68	77	77	68	73	53	64	74	74	64	70	50	61	72	72	61	68	48	57	69	69	58	64	45	54
		10 to 30	Array Interior	96	96	89	89	73	73	92	92	85	85	69	69	87	87	81	81	66	66	83	83	77	77	61	61	80	80	74	74	58	58	77	77	71	71	54	54	74	74	69	69	52	52
			Array Edge	83	83	78	78	61	61	79	79	74	74	57	57	76	76	71	71	54	54	73	73	68	68	50	50	70	70	64	64	48	48	67	67	61	61	45	45	64	64	58	58	43	43
D	0 to 3	Array Interior	105	83	75	75	67	67	100	79	72	72	62	62	95	76	68	68	58	58	91	73	65	65	55	55	87	70	61	61	52	52	84	67	58	58	49	49	81	64	55	55	47	47	
		Array Edge	91	72	65	65	54	54	86	69	60	60	51	51	82	66	56	56	47	47	79	62	53	53	45	45	76	58	50	50	42	42	73	55	47	47	40	40	71	52	45	45	38	38	
	3 to 10	Array Interior	97	97	85	92	72	82	93	93	81	87	69	78	89	89	78	83	65	74	85	85	74	80	61	71	81	81	72	77	58	69	78	78	69	74	55	66	76	76	66	71	52	62	
		Array Edge	84	84	74	80	61	71	80	80	71	76	56	68	77	77	67	72	53	64	74	74	64	69	50	60	71	71	60	67	47	57	68	68	57	63	44	53	65	65	54	60	42	51	
	10 to 30	Array Interior	91	91	85	85	69	69	87	87	81	81	66	66	83	83	77	77	61	61	80	80	74	74	58	58	77	77	71	71	54	54	74	74	69	69	52	52	71	71	66	66	49	49	
		Array Edge	79	79	74	74	57	57	76	76	70	70	53	53	72	72	67	67	50	50	69	69	64	64	47	47	67	67	60	60	44	44	63	63	57	57	42	42	60	60	54	54	40	40	
5 psf	B	0 to 3	Array Interior	117	97	87	87	78	78	117	93	83	83	74	74	111	88	80	80	71	71	106	85	76	76	68	68	102	81	73	73	65	65	98	78	71	71	61	61	95	76	68	68	58	58
			Array Edge	106	84	76	76	68	68	101	80	72	72	63	63	96	77	69	69	59	59	92	74	66	66	56	56	88	71	62	62	53	53	85	68	59	59	50	50	82	65	56	56	47	47
		3 to 10	Array Interior	114	114	99	107	84	95	108	108	95	102	80	91	103	103	90	97	76	87	99	99	87	93	73	83	95	95	83	89	70	80	91	91	80	86	68	77	88	88	77	83	65	74
			Array Edge	98	98	86	93	73	83	94	94	82	88	69	79	89	89	78	84	66	75	86	86	75	81	62	72	82	82	72	78	58	69	79	79	70	75	55	67	76	76	67	72	52	63
		10 to 30	Array Interior	107	107	99	99	80	80	102	102	94	94	77	77	97	97	90	90	73	73	93	93	86	86	70	70	89	89	83	83	68	68	86	86	80	80	64	64	83	83	77	77	61	61
			Array Edge	92	92	86	86	70	70	88	88	82	82	67	67	84	84	78	78	62	62	81	81	75	75	59	59	79	79	77	72	55	55	75	75	69	69	52	52	72	72	67	67	50	50
	C	0 to 3	Array Interior	110	88	79	79	70	70	105	83	75	75	67	67	100	80	72	72	63	63	96	76	69	69	59	59	92	73	66	66	56	56	88	71	62	62	53	53	85	68	59	59	50	50
			Array Edge	95	76	68	68	58	58	91	72	65	65	54	54	86	69	60	60	51	51	83	66	57	57	48	48	80	63	54	54	45	45	77	59	51	51	43	43	74	56	48	48	41	41
		3 to 10	Array Interior	102	102	89	96	75	86	97	97	85	92	72	82	93	93	81	88	69	78	89	89	78	84	66	75	86	86	75	81	62	72	82	82	72	78	59	69	79	79	70	75	56	67
			Array Edge	89	89	78	83	65	75	84	84	74	80	61	71	81	81	71	76	57	68	77	77	68	73	53	64	74	74	64	70	50	61	72	72	61	68	48	57	69	69	58	64	45	54
		10 to 30	Array Interior	96	96	89	89	73	73	92	92	85	85	69	69	87	87	81	81	66	66	84	84	78	78	62	62	81	81	75	75	58	58	78	78	72	72	55	55	75	75	70	70	52	52
			Array Edge	83	83	78	78	61	61	79	79	74	74	57	57	76	76	71	71	54	54	73	73	68	68	50	50	70	70	64	64	48	48	67	67	61	61	45	45	64	64	58	58	43	43
D	0 to 3	Array Interior	105	83	75	75	67	67	100	79	72	72	62	62	95	76	68	68	58	58	91	73	65	65	55	55	87	70	61	61	52	52	84	67	58	58	49	49	81	64	55	55	47	47	
		Array Edge	91	72	65	65	54	54	86	69	60	60	51	51	82	66	56	56	47	47	79	62	53	53	45	45	76	58	50	50	42	42	73	55	47	47	40	40	71	52	45	45	38	38	
	3 to 10	Array Interior	97	97	85	92	72	82	93	93	81	87	69	78	89	89	78	83	65	74	85	85	74	80	61	71	81	81	72	77	58	69	78	78	69	74	55	66	76	76	66	71	52	62	
		Array Edge	84	84	74	80	61	71	80	80	71	76	56	68	77	77	67	72	53	64	74	74	64	69	50	60	71	71	60	67	47	57	68	68	57	63	44	53	65	65	54	60	42	51	
	10 to 30	Array Interior	91	91	85	85	69	69	87	87	81	81	66	66	83	83	77	77	61	61	80	80	74	74	58	58	77	77	71	71	54	54	74	74	69	69	52	52	71	71	66	66	49	49	
		Array Edge	79	79	74	74	57	57	76	76	70	70	53	53	72	72	67	67	50	50	69	69	64	64	47	47	67	67	60	60	44	44	63	63	57	57	42	42	60	60	54	54	40	40	
10 psf	B	0 to 3	Array Interior	108	97	87	87	78	78	108	93	83	83	74	74	108	88	80	80	71	71	106	85	76	76	68	68	102	81	73	73	65	65	98	78	71	71	61							



Maximum Rail Spans (Inches)			K2 Systems 48-XL Flush-Mount Dual Rail, Enclosed Mono Slope Roof 30-60ft, 72 Cell(L) Rail Only																																																				
Ground Snow Load	Exposure Category	Panel Angle	Wind Speed -> 140 mph						150 mph						160 mph						170 mph						180 mph						190 mph						200 mph																
			Roof Zone ->						1'	1	2'	2	3'	3	1'	1	2'	2	3'	3	1'	1	2'	2	3'	3	1'	1	2'	2	3'	3	1'	1	2'	2	3'	3	1'	1	2'	2	3'	3	1'	1	2'	2	3'	3					
20 psf	B	0 to 3	Array Interior	96	96	87	87	78	78	96	93	83	83	74	74	96	88	80	80	71	71	96	85	76	76	68	68	96	81	73	73	65	65	96	78	71	71	61	61	95	76	68	68	58	58	87	87	78	78	68	68				
			Array Edge	96	84	76	76	68	68	96	80	72	72	63	63	96	77	69	69	59	59	92	74	66	66	56	56	88	71	62	62	53	53	85	68	59	59	50	50	82	65	56	56	47	47	79	79	70	70	61	61				
		3 to 10	Array Interior	96	96	96	96	84	95	96	96	95	96	80	91	96	96	90	96	76	87	96	96	87	93	73	83	95	95	83	89	70	80	91	91	80	86	68	77	88	88	77	83	65	63	78	78	67	67	52	52	64	64	55	55
			Array Edge	96	96	86	93	73	83	94	94	82	88	69	79	89	89	78	84	66	75	86	86	75	81	62	72	82	82	72	78	58	69	79	79	70	75	55	67	76	76	67	67	52	52	63	63	44	44	56	56	47	47		
		10 to 30	Array Interior	107	107	99	99	80	80	102	102	94	94	77	77	97	97	90	90	73	73	93	93	86	86	70	70	89	89	83	83	68	68	86	86	80	80	64	64	83	83	77	77	61	61	61	61	50	50	50	50	41	41		
			Array Edge	92	92	86	86	70	70	88	88	82	82	67	67	84	84	78	78	62	62	81	81	75	75	59	59	79	79	77	72	55	55	75	75	69	69	52	52	72	72	67	67	50	50	41	41	32	32	43	43	33	33		
	C	0 to 3	Array Interior	96	88	79	79	70	70	96	83	75	75	67	67	96	80	72	72	63	63	96	76	69	69	59	59	92	73	66	66	56	56	88	71	62	62	53	53	85	68	59	59	50	50	79	79	70	70	61	61				
			Array Edge	95	76	68	68	58	58	91	72	65	65	54	54	86	69	60	60	51	51	83	66	57	57	48	48	80	63	54	54	45	45	77	59	51	51	43	43	74	74	66	66	48	48	41	41	32	32	43	43	33	33		
		3 to 10	Array Interior	96	96	89	96	75	86	96	96	85	92	72	82	93	93	81	88	69	78	89	89	78	84	66	75	86	86	75	81	62	72	82	82	72	78	59	69	79	79	70	75	56	67	67	67	50	50	41	41	32	32	43	43
			Array Edge	89	89	78	83	65	75	84	84	74	80	61	71	81	81	71	76	57	68	77	77	68	73	53	64	74	74	64	70	50	61	72	72	61	68	48	57	69	69	58	64	45	54	45	45	36	36	47	47	37	37		
		10 to 30	Array Interior	96	96	89	89	73	73	92	92	85	85	69	69	87	87	81	81	66	66	83	83	77	77	61	61	80	80	74	74	58	58	77	77	71	71	54	54	74	74	69	69	52	52	71	71	66	66	49	49	40	40	31	31
			Array Edge	83	83	78	78	61	61	79	79	74	74	57	57	76	76	71	71	54	54	73	73	68	68	50	50	70	70	64	64	48	48	67	67	61	61	45	45	64	64	58	58	43	43	34	34	45	45	35	35				
D	0 to 3	Array Interior	96	83	75	75	67	67	96	79	72	72	62	62	95	76	68	68	58	58	91	73	65	65	55	55	87	70	61	61	52	52	84	67	58	58	49	49	81	64	55	55	47	47	78	78	69	69	60	60					
		Array Edge	91	72	65	65	54	54	86	69	60	60	51	51	82	66	56	56	47	47	79	62	53	53	45	45	76	58	50	50	42	42	73	55	47	47	40	40	71	71	66	66	49	49	40	40	31	31	42	42	32	32			
	3 to 10	Array Interior	96	96	85	92	72	82	93	93	81	87	69	78	89	89	78	83	65	74	85	85	74	80	61	71	81	81	72	77	58	69	78	78	69	74	55	66	76	76	66	71	52	62	62	62	45	45	36	36	47	47	37	37	
		Array Edge	84	84	74	80	61	71	80	80	71	76	56	68	77	77	67	72	53	64	74	74	64	69	50	60	71	71	60	67	47	57	68	68	57	63	44	53	65	65	54	60	42	51	42	42	33	33	44	44	34	34			
	10 to 30	Array Interior	91	91	85	85	69	69	87	87	81	81	66	66	83	83	77	77	61	61	80	80	74	74	58	58	77	77	71	71	54	54	74	74	69	69	52	52	71	71	66	66	49	49	40	40	31	31	42	42	32	32			
		Array Edge	79	79	74	74	57	57	76	76	70	70	53	53	72	72	67	67	50	50	69	69	64	64	47	47	67	67	61	61	44	44	63	63	57	57	42	42	60	60	54	54	40	40	31	31	42	42	32	32					
25 psf	B	0 to 3	Array Interior	96	96	87	87	78	78	96	93	83	83	74	74	96	88	80	80	71	71	96	85	76	76	68	68	96	81	73	73	65	65	96	78	71	71	61	61	95	76	68	68	58	58	87	87	78	78	68	68				
			Array Edge	96	84	76	76	68	68	96	80	72	72	63	63	96	77	69	69	59	59	92	74	66	66	56	56	88	71	62	62	53	53	85	68	59	59	50	50	82	65	56	56	47	47	79	79	70	70	61	61				
		3 to 10	Array Interior	96	96	96	96	84	95	96	96	95	96	80	91	96	96	90	96	76	87	96	96	87	93	73	83	95	95	83	89	70	80	91	91	80	86	68	77	88	88	77	83	65	63	78	78	67	67	52	52	64	64	55	55
			Array Edge	96	96	86	93	73	83	94	94	82	88	69	79	89	89	78	84	66	75	86	86	75	81	62	72	82	82	72	78	58	69	79	79	70	75	55	67	76	76	67	67	52	52	63	63	44	44	56	56	47	47		
		10 to 30	Array Interior	104	104	99	99	80	80	102	102	94	94	77	77	97	97	90	90	73	73	93	93	86	86	70	70	89	89	83	83	68	68	86	86	80	80	64	64	83	83	77	77	61	61	61	61	50	50	50	50	41	41		
			Array Edge	92	92	86	86	70	70	88	88	82	82	67	67	84	84	78	78	62	62	81	81	75	75	59	59	77	77	72	72	55	55	75	75	69	69	52	52	72	72	67	67	50	50	41	41	32	32	43	43	33	33		
	C	0 to 3	Array Interior	96	88	79	79	70	70	96	83	75	75	67	67	96	80	72	72	63	63	96	76	69	69	59	59	92	73	66	66	56	56	88	71	62	62	53	53	85	68	59	59	50	50	79	79	70	70	61	61				
			Array Edge	95	76	68	68	58	58	91	72	65	65	54	54	86	69	60	60	51	51	83	66	57	57	48	48	80	63	54	54	45	45	77	59	51	51	43	43	74	74	66	66	48	48	41	41	32	32	43	43	33	33		
		3 to 10	Array Interior	96	96	89	96	75	86	96	96	85	92	72	82	93	93	81	88	69	78	89	89	78	84	66	75	86	86	75	81	62	72	82	82	72	78	59	69	79	79	70	75	56	67	67	67	50	50	41	41	32	32	43	43
			Array Edge	89	89	78	83	65	75	84	84	74	80	61	71	81	81	71	76	57	68	77	77	68	73	53	64	74	74	64	70	50	61	72	72	61	68	48	57	69	69	58	64	45	54	45	45	36	36	47	47	37	37		
		10 to 30	Array Interior	96	96	89	89	73	73	92	92	85	85	69	69	87	87	81	81	66	66	83	83	77	77	61	61	80	80	74	74	58	58	77	77	71	71	54	54	74	74	69	69	52	52	71	71	66	66	49	49	40	40		
			Array Edge	83	83	78	78	61	61	79	79	74	74	57	57	76	76	71	71	54	54	73	73	68	68	50	50	70	70	64	64	48	48	67	67	61	61	45	45	64	64	58	58	43	43	34	34	45	45	35	35				
D	0 to 3	Array Interior	96	83	75	75	67	67	96	79	72	72	62	62	95	76	68	68	58	58	91	73	65	65	55	55	87	70	61	61	52	52	84	67	58	58	49	49	81	64	55	55	47	47	78	78	69	69	60	60					
		Array Edge	91	72	65	65	54	54	86	69	60	60	51	51	82	66	56	56	47	47	79	62	53	53	45	45	76	58	50	50	42	42	73	55	47	47	40	40	71	71	66														



Maximum Rail Spans (Inches)			K2 Systems 48-XL Flush-Mount Dual Rail, Enclosed Mono Slope Roof 30-60ft, 72 Cell(L) Rail Only																																																		
Ground Snow Load	Exposure Category	Panel Angle	Wind Speed -> 140 mph						150 mph						160 mph						170 mph						180 mph						190 mph						200 mph														
			Roof Zone ->						1'	1'	2'	2'	3'	3'	1'	1'	2'	2'	3'	3'	1'	1'	2'	2'	3'	3'	1'	1'	2'	2'	3'	3'	1'	1'	2'	2'	3'	3'	1'	1'	2'	2'	3'	3'									
40 psf	B	0 to 3	Array Interior	89	89	87	87	78	78	89	89	83	83	74	74	89	88	80	80	71	71	89	85	76	76	68	68	89	81	73	73	65	65	89	78	71	71	61	61	89	76	68	68	58	58	87	87	83	83	65	65	47	47
			Array Edge	89	84	76	76	68	68	89	80	72	72	63	63	89	77	69	69	59	59	89	74	66	66	56	56	88	71	62	62	53	53	85	68	59	59	50	50	82	65	56	56	47	47								
		3 to 10	Array Interior	90	90	90	90	84	90	90	90	90	80	90	90	90	90	90	80	90	76	87	90	87	90	73	83	90	90	83	89	70	80	90	90	86	86	77	88	88	77	83	65	63	74	64	63	63	52	52			
			Array Edge	90	90	86	90	73	83	90	90	82	88	69	79	90	89	78	84	66	75	86	86	75	81	62	72	82	82	72	78	58	69	79	79	70	75	55	67	76	76	67	72	52	63	64	64	50	50				
		10 to 30	Array Interior	96	96	96	96	80	80	96	96	94	94	77	77	96	96	90	90	73	73	93	93	86	86	70	70	89	89	83	83	68	68	86	86	80	80	64	64	83	83	77	77	61	61	61	61	50	50				
			Array Edge	92	92	86	86	70	70	88	88	82	82	67	67	84	84	78	78	62	62	81	81	75	75	59	59	79	79	77	72	72	55	55	75	75	69	69	52	52	72	72	67	67	50	50							
	C	0 to 3	Array Interior	89	88	79	79	70	70	89	83	75	75	67	67	89	80	72	72	63	63	89	76	69	69	59	59	89	73	66	66	56	56	88	71	62	62	53	53	85	68	59	59	50	50	82	68	59	59	41	41		
			Array Edge	89	76	68	68	58	58	89	72	65	65	54	54	86	69	60	60	51	51	83	66	57	57	48	48	80	63	54	54	45	45	77	59	51	51	43	43	74	56	48	48	41	41								
		3 to 10	Array Interior	90	90	89	90	75	86	90	90	85	90	72	82	90	90	81	88	69	78	89	89	78	84	66	75	86	86	75	81	62	72	82	82	72	78	59	69	79	79	70	75	56	67	67	67	52	52				
			Array Edge	89	89	78	83	65	75	84	84	74	80	61	71	81	81	71	76	57	68	77	77	68	73	53	64	74	74	64	70	50	61	72	72	61	68	48	57	69	69	58	64	45	54	45	54						
		10 to 30	Array Interior	96	96	89	89	73	73	92	92	85	85	69	69	87	87	81	81	66	66	93	93	77	77	61	61	80	80	74	74	58	58	77	77	71	71	54	54	74	74	69	69	52	52	71	71	66	66	49	49		
			Array Edge	83	83	78	78	61	61	79	79	74	74	57	57	76	76	71	71	54	54	73	73	68	68	50	50	70	70	64	64	48	48	67	67	61	61	45	45	64	64	58	58	43	43								
D	0 to 3	Array Interior	92	83	75	75	67	67	92	79	72	72	62	62	92	76	68	68	58	58	91	73	65	65	55	55	87	70	61	61	52	52	84	67	58	58	49	49	81	64	55	55	47	47									
		Array Edge	91	72	65	65	54	54	86	69	60	60	51	51	82	66	56	56	47	47	79	62	53	53	45	45	76	58	50	50	42	42	73	55	47	47	40	40	71	52	45	45	38	38									
	3 to 10	Array Interior	92	92	85	92	72	82	92	92	81	87	69	78	89	89	78	83	65	74	85	85	74	80	61	71	81	81	72	77	58	69	78	78	69	74	55	66	76	76	66	71	52	62	51	51							
		Array Edge	84	84	74	80	61	71	80	80	71	76	56	68	77	77	67	72	53	64	74	74	64	69	50	60	71	71	60	67	47	57	68	68	57	63	44	53	65	65	54	60	42	51									
	10 to 30	Array Interior	91	91	85	85	69	69	87	87	81	81	66	66	83	83	77	77	61	61	80	80	74	74	58	58	69	69	64	64	48	47	77	77	71	71	54	54	74	74	69	69	52	52	71	71	66	66	49	49			
		Array Edge	79	79	74	74	57	57	76	76	70	70	53	53	72	72	67	67	50	50	69	69	64	64	47	47	67	67	60	60	44	44	63	63	57	57	42	42	60	60	54	54	40	40									
45 psf	B	0 to 3	Array Interior	87	87	87	87	78	78	87	87	83	83	74	74	87	87	80	80	71	71	87	85	76	76	68	68	87	81	73	73	65	65	87	78	71	71	61	61	87	76	68	68	58	58	87	87	83	83	65	65	47	47
			Array Edge	87	84	76	76	68	68	87	80	72	72	63	63	87	77	69	69	59	59	87	74	66	66	56	56	86	71	62	62	53	53	85	68	59	59	50	50	82	65	56	56	47	47								
		3 to 10	Array Interior	87	87	87	87	84	87	87	87	87	80	87	87	87	87	87	76	87	87	87	87	87	73	83	87	87	83	87	70	80	87	87	80	86	68	77	87	87	77	83	65	74	63	63	52	52					
			Array Edge	87	87	86	87	73	83	87	87	82	87	69	79	87	87	78	84	66	75	86	86	75	81	62	72	82	82	72	78	58	69	79	79	70	75	55	67	76	76	67	72	52	63	64	64	50	50				
		10 to 30	Array Interior	93	93	93	93	80	80	93	93	93	93	77	77	93	93	90	90	73	73	93	93	86	86	70	70	89	89	83	83	68	68	86	86	80	80	64	64	83	83	77	77	61	61	61	61	50	50				
			Array Edge	92	92	86	86	70	70	88	88	82	82	67	67	84	84	78	78	62	62	81	81	75	75	59	59	77	77	72	72	55	55	75	75	69	69	52	52	72	72	67	67	50	50								
	C	0 to 3	Array Interior	87	87	79	79	70	70	87	83	75	75	67	67	87	80	72	72	63	63	87	76	69	69	59	59	87	73	66	66	56	56	86	71	62	62	53	53	85	68	59	59	50	50	82	68	59	59	41	41		
			Array Edge	87	76	68	68	58	58	86	72	65	65	54	54	86	69	60	60	51	51	83	66	57	57	48	48	80	63	54	54	45	45	77	59	51	51	43	43	74	56	48	48	41	41								
		3 to 10	Array Interior	87	87	87	87	75	86	87	87	85	87	72	82	87	87	81	87	69	78	87	87	78	84	66	75	86	86	75	81	62	72	82	82	72	78	59	69	79	79	70	75	56	67	67	67	52	52				
			Array Edge	87	87	78	83	65	75	84	84	74	80	61	71	81	81	71	76	57	68	77	77	68	73	53	64	74	74	64	70	50	61	72	72	61	68	48	57	69	69	58	64	45	54	45	54						
		10 to 30	Array Interior	93	93	89	89	73	73	92	92	85	85	69	69	87	87	81	81	66	66	83	83	78	78	62	62	81	81	75	75	58	58	78	78	72	72	55	55	74	74	69	69	52	52	71	71	66	66	49	49		
			Array Edge	83	83	78	78	61	61	79	79	74	74	57	57	76	76	71	71	54	54	73	73	68	68	50	50	70	70	64	64	48	48	67	67	61	61	45	45	64	64	58	58	43	43								
D	0 to 3	Array Interior	89	83	75	75	67	67	89	79	72	72	62	62	89	76	68	68	58	58	89	73	65	65	55	55	87	70	61	61	52	52	84	67	58	58	49	49	81	64	55	55	47	47									
		Array Edge	89	72	65	65	54	54	86	69	60	60	51	51	82	66	56	56	47	47	79	62	53	53	45	45	76	58	50	50	42	42	73	55	47	47	40	40	71	52	45	45	38	38									
	3 to 10	Array Interior	90	90	85	90	72	82	90	90	81	87	69	78	89	89	78	83	65	74	85	85	74	80	61	71	81	81	72	77	58	69	78	78	69	74	55	66	76	76	66	71	52	62	51	51							
		Array Edge	84	84	74	80	61	71	80	80	71	76	56	68	77	77	67	72	53	64	74	74	64	69	50	60	71	71	60	67	47	57	68	68	57	63	44	53	65	65	54	60	42	51									
	10 to 30	Array Interior	91	91	85	85	69	69	87	87	81	81	66	66	83	83	77	77	61	61	80	80	74	74	58	58	69	69	64	64	48	47	77	77	71	71	54	54	74	74	69	69	52	52	71	71	66	66	49	49			
		Array Edge	79	79	74	74	57	57	76	76	70	70																																									





Maximum Rail Spans (Inches)			K2 Systems 48-XL Flush-Mount Dual Rail, Enclosed Mono Slope Roof 30-60ft, 72 Cell(P) Rail Only																																															
Ground Snow Load	Exposure Category	Panel Angle	Wind Speed ->																																															
			95 mph						100 mph						105 mph						110 mph						115 mph						120 mph						130 mph											
			Roof Zone ->																																															
			1'	1	2'	2	3'	3	1'	1	2'	2	3'	3	1'	1	2'	2	3'	3	1'	1	2'	2	3'	3	1'	1	2'	2	3'	3	1'	1	2'	2	3'	3	1'	1	2'	2	3'	3						
0 psf	B	0 to 3	Array Interior	97	97	93	93	82	82	97	97	89	89	79	79	97	97	86	86	77	77	97	93	83	83	74	74	97	90	81	81	72	72	97	87	78	78	70	70	97	82	74	74	65	65					
			Array Edge	97	89	80	80	71	71	97	86	77	77	69	69	97	83	74	74	66	66	97	80	72	72	63	63	97	78	70	70	60	60	97	78	70	70	60	60	95	75	68	68	57	57	90	71	63	63	53
		3 to 10	Array Interior	97	97	97	97	89	89	97	97	97	97	85	85	97	97	97	97	82	82	94	97	95	97	80	80	91	97	97	92	97	77	88	97	89	79	77	88	97	89	97	75	86	97	97	84	91	71	81
			Array Edge	97	97	91	97	77	88	97	97	88	95	74	84	97	97	85	92	71	81	94	94	82	89	69	79	91	91	79	86	67	76	88	88	77	83	64	74	83	83	73	78	59	70	81	81			
		10 to 30	Array Interior	98	98	98	98	85	85	98	98	98	98	82	82	98	98	98	98	79	79	98	98	95	95	76	76	98	98	92	92	74	74	96	96	89	89	72	72	91	91	84	84	68	68					
			Array Edge	98	98	91	91	73	73	95	95	88	88	71	71	91	91	85	85	68	68	88	88	82	82	66	66	85	85	79	79	63	63	83	83	77	77	60	60	78	78	73	73	55	55	68	68			
	C	0 to 3	Array Interior	97	93	83	83	74	74	97	90	80	80	71	71	97	87	78	78	69	69	97	84	75	75	67	67	97	81	73	73	64	64	97	79	70	70	61	61	94	74	67	67	56	56					
			Array Edge	97	80	72	72	63	63	97	77	69	69	60	60	94	75	67	67	57	57	91	72	64	64	54	54	88	70	61	61	51	51	85	68	58	58	49	49	81	63	54	54	45	45					
		3 to 10	Array Interior	97	97	95	97	80	91	97	97	92	97	77	88	97	97	88	96	74	85	97	97	85	92	72	82	95	95	83	89	70	79	92	92	80	87	67	77	87	87	76	82	62	73					
			Array Edge	94	94	82	89	69	79	91	91	79	85	66	76	87	87	76	82	63	73	85	85	74	80	60	71	82	82	72	77	57	69	79	79	69	75	55	66	75	75	65	71	50	61					
		10 to 30	Array Interior	98	98	95	95	76	76	98	98	91	91	74	74	95	95	88	88	71	71	92	92	85	85	69	69	89	89	82	82	67	67	86	86	80	80	64	64	81	81	76	76	59	59					
			Array Edge	88	88	82	82	66	66	85	85	79	79	63	63	82	82	76	76	59	59	79	79	74	74	57	57	77	77	71	71	54	54	75	75	69	69	52	52	70	70	65	65	48	48					
D	0 to 3	Array Interior	97	89	79	79	70	70	97	79	76	68	68	97	82	74	74	65	65	97	80	71	71	62	62	97	77	69	69	59	59	94	75	67	67	57	57	89	71	62	62	52	52							
		Array Edge	97	76	69	69	58	58	93	74	66	66	55	55	90	71	63	63	53	53	87	69	60	60	50	50	84	67	57	57	48	48	81	64	54	54	46	46	77	59	50	50	42	42						
	3 to 10	Array Interior	97	97	91	97	76	87	97	97	87	94	73	83	97	97	84	91	71	81	93	93	81	88	68	78	90	90	79	85	66	75	87	87	76	82	63	73	82	82	72	78	58	69						
		Array Edge	89	89	78	84	65	75	86	86	75	81	62	72	83	83	73	78	59	70	80	80	70	76	56	67	78	78	68	73	53	65	75	75	66	71	51	62	71	71	60	67	47	57						
	10 to 30	Array Interior	97	97	90	90	73	73	94	94	87	87	70	70	90	90	84	84	68	68	87	87	81	81	65	65	85	85	78	78	62	62	82	82	76	76	59	59	77	77	72	72	55	55						
		Array Edge	84	84	78	78	61	61	81	81	75	75	58	58	78	78	72	72	55	55	75	75	70	70	53	53	83	73	68	68	50	50	72	72	66	66	48	48	67	67	60	60	44	44						
5 psf	B	0 to 3	Array Interior	94	94	93	93	82	82	94	94	89	89	79	79	94	94	86	86	77	77	94	93	83	83	74	74	94	90	81	81	72	72	94	87	78	78	70	70	94	82	74	74	65	65					
			Array Edge	94	89	80	80	71	71	94	86	77	77	69	69	94	83	74	74	66	66	94	80	72	72	63	63	94	78	70	70	60	60	94	75	68	68	57	57	90	71	63	63	53	53					
		3 to 10	Array Interior	94	94	94	94	89	94	94	94	94	85	94	94	94	94	94	84	94	94	94	80	91	94	94	92	94	77	88	94	94	89	94	75	86	94	94	84	91	71	81								
			Array Edge	94	94	91	94	77	88	94	94	88	94	74	84	94	94	85	92	71	81	94	94	82	89	69	79	91	91	79	86	67	76	88	88	77	83	64	74	83	83	73	78	59	70					
		10 to 30	Array Interior	98	98	98	98	85	85	98	98	98	98	82	82	98	98	98	98	79	79	98	98	95	95	76	76	98	98	92	92	74	74	96	96	89	89	72	72	91	91	84	84	68	68					
			Array Edge	98	98	91	91	73	73	95	95	88	88	71	71	91	91	85	85	68	68	88	88	82	82	66	66	85	85	79	79	63	63	83	83	77	77	60	60	78	78	73	73	55	55					
	C	0 to 3	Array Interior	94	93	83	83	74	74	94	90	80	80	71	71	94	87	78	78	69	69	94	84	75	75	67	67	94	84	73	73	64	64	94	79	70	70	61	61	94	74	67	67	56	56					
			Array Edge	94	80	72	72	63	63	94	77	69	69	60	60	94	75	67	67	57	57	91	72	64	64	54	54	88	70	61	61	51	51	85	68	58	58	49	49	81	63	54	54	45	45					
		3 to 10	Array Interior	94	94	94	94	80	91	94	94	92	94	77	88	94	94	88	94	74	85	94	94	85	92	72	82	94	94	83	89	70	79	92	92	80	87	67	77	87	87	76	82	62	73					
			Array Edge	94	94	82	89	69	79	91	91	79	85	66	76	87	87	76	82	63	73	85	85	74	80	60	71	82	82	72	77	57	69	79	79	69	75	55	66	75	75	65	71	50	61					
		10 to 30	Array Interior	98	98	95	95	76	76	98	98	91	91	74	74	95	95	88	88	71	71	92	92	85	85	69	69	89	89	82	82	67	67	86	86	80	80	64	64	81	81	76	76	59	59					
			Array Edge	88	88	82	82	66	66	85	85	79	79	63	63	82	82	76	76	59	59	79	79	74	74	57	57	77	77	71	71	54	54	75	75	69	69	52	52	70	70	65	65	48	48					
D	0 to 3	Array Interior	94	89	79	79	70	70	94	85	76	76	68	68	94	82	74	74	65	65	94	80	71	71	62	62	94	77	69	69	59	59	94	75	67	67	57	57	89	71	62	62	52	52						
		Array Edge	94	76	69	69	58	58	93	74	66	66	55	55	90	71	63	63	53	53	87	69	60	60	50	50	84	67	57	57	48	48	81	64	54	54	46	46	77	59	50	50	42	42						
	3 to 10	Array Interior	94	94	91	94	76	87	94	94	87	94	73	83	94	94	84	91	71	81	93	93	81	88	68	78	90	90	79	85	66	75	87	87	76	82	63	73	82	82	72	78	58	69						
		Array Edge	89	89	78	84	65	75	86	86	75	81	62	72	83	83	73	78	59	70	80	80	70	76	56	67	78	78	68	73	53	65	75	75	66	71	51	62	71	71	60	67	47	57						
	10 to 30	Array Interior	97	97	90	90	73	73	94	94	87	87	70	70	90	90	84	84	68	68	87	87	81	81	65	65	85	85	78	78	62	62	82	82	76	76	59	59	77	77	72	72	55	55						
		Array Edge	84	84	78	78	61	61	81	81	75	75	58	58	78	78	72	72	55	55	75	75	70	70	53	53	83	73	68	68	50	50	72	72	66	66	48	48	67	67	60	60	44	44						
10 psf	B	0 to 3	Array Interior	87	87	87	87	82	82	87	87	87	87	79	79	87	87	86	86	77	77	87	87	80	83	74	74	87	87	81	81	72	72	87	87															



Maximum Rail Spans (Inches)			K2 Systems 48-XL Flush-Mount Dual Rail, Enclosed Mono Slope Roof 30-60ft, 72 Cell(P) Rail Only																																											
Ground Snow Load	Exposure Category	Panel Angle	Wind Speed ->		140 mph						150 mph						160 mph						170 mph						180 mph						190 mph						200 mph					
			Roof Zone ->		1'	1	2'	2	3'	3	1'	1	2'	2	3'	3	1'	1	2'	2	3'	3	1'	1	2'	2	3'	3	1'	1	2'	2	3'	3	1'	1	2'	2	3'	3	1'	1	2'	2	3'	3
0 psf	B	0 to 3	Array Interior	97	78	70	70	60	60	94	74	67	67	56	56	89	71	62	62	53	53	85	68	59	59	49	49	82	65	55	55	46	46	79	61	52	52	44	44	76	58	49	49	42	42	
			Array Edge	85	68	58	58	49	49	81	63	54	54	46	46	77	59	51	51	43	43	74	55	47	47	40	40	71	52	45	45	38	38	68	49	42	42	36	36	65	47	40	40	34	34	
		3 to 10	Array Interior	92	92	80	86	67	76	87	87	76	82	63	73	83	83	73	78	58	70	79	79	69	75	55	67	76	76	67	72	52	63	73	73	63	69	49	59	71	71	60	67	46	56	
			Array Edge	79	79	69	74	54	66	75	75	65	71	51	61	72	72	61	68	47	57	69	69	57	64	45	54	66	66	54	60	42	51	62	62	51	57	40	48	59	59	48	54	38	46	
		10 to 30	Array Interior	86	86	80	80	63	63	82	82	76	76	59	59	78	78	72	72	55	55	75	75	69	69	52	52	72	72	67	67	49	49	69	69	63	63	46	46	66	66	60	60	44	44	
			Array Edge	74	74	69	69	51	51	71	71	65	65	48	48	67	67	61	61	45	45	64	64	57	57	42	42	60	60	54	54	40	40	57	57	51	51	37	37	54	54	48	48	44	36	
	C	0 to 3	Array Interior	89	70	62	62	52	52	84	67	57	57	48	48	80	63	54	54	45	45	77	59	50	50	42	42	74	55	47	47	40	40	71	52	45	45	38	38	68	50	42	42	36	36	
			Array Edge	76	58	50	50	42	42	73	54	46	46	39	39	69	51	43	43	37	37	66	48	41	41	34	34	63	45	38	38	32	32	59	42	36	36	31	31	56	40	34	34	29	29	
		3 to 10	Array Interior	82	82	72	77	58	69	78	78	68	74	54	65	75	75	65	70	50	61	71	71	61	67	47	57	69	69	57	64	44	54	66	66	54	60	42	51	62	62	51	57	40	48	
			Array Edge	71	71	60	67	47	57	68	68	56	62	44	53	64	64	52	58	41	49	60	60	49	55	38	46	56	56	46	52	36	44	53	53	44	49	34	41	50	50	42	46	32	39	
		10 to 30	Array Interior	77	77	72	72	54	54	73	73	68	68	51	51	70	70	65	65	47	47	67	67	61	61	45	45	64	64	57	57	42	42	60	60	54	54	40	40	57	57	51	51	38	38	
			Array Edge	67	67	60	60	44	44	62	62	56	56	41	41	58	58	52	52	38	38	55	55	49	49	36	36	52	52	46	46	34	34	49	49	44	44	32	32	46	46	42	42	31	31	
D	0 to 3	Array Interior	84	67	57	57	48	48	80	62	53	53	45	45	76	58	50	50	42	42	73	55	47	47	39	39	70	52	44	44	37	37	68	49	42	42	35	35	64	46	40	40	33	33		
		Array Edge	73	54	46	46	39	39	69	50	43	43	36	36	66	47	40	40	34	34	62	44	38	38	32	32	58	42	36	36	30	30	55	40	34	34	29	29	52	38	32	32	27	27		
	3 to 10	Array Interior	78	78	68	74	54	65	74	74	64	70	50	60	71	71	60	67	47	57	68	68	56	63	44	53	65	65	53	59	41	50	61	61	50	56	39	47	58	58	48	53	37	45		
		Array Edge	68	68	56	62	44	53	63	63	52	58	41	49	59	59	49	54	38	46	56	56	46	51	36	43	52	52	43	48	34	41	49	49	41	45	32	38	47	47	39	43	30	36		
	10 to 30	Array Interior	73	73	68	68	51	51	70	70	64	64	47	47	67	67	60	60	44	44	63	63	56	56	41	41	59	59	53	53	39	39	56	56	50	50	37	37	53	53	48	48	35	35		
		Array Edge	62	62	56	56	41	41	58	58	52	52	38	38	54	54	49	49	36	36	51	51	46	46	34	34	48	48	43	43	32	32	45	45	41	41	30	30	43	43	39	39	28	28		
5 psf	B	0 to 3	Array Interior	94	78	70	70	60	60	94	74	67	67	56	56	89	71	62	62	53	53	85	68	59	59	49	49	82	65	55	55	46	46	79	61	52	52	44	44	76	58	49	49	42	42	
			Array Edge	85	68	58	58	49	49	81	63	54	54	46	46	77	59	51	51	43	43	74	55	47	47	40	40	71	52	45	45	38	38	68	49	42	42	36	36	65	47	40	40	34	34	
		3 to 10	Array Interior	92	92	80	86	67	76	87	87	76	82	63	73	83	83	73	78	58	70	79	79	69	75	55	67	76	76	67	72	52	63	73	73	63	69	49	59	71	71	60	67	46	56	
			Array Edge	79	79	69	74	54	66	75	75	65	71	51	61	72	72	61	68	47	57	69	69	57	64	45	54	66	66	54	60	42	51	62	62	51	57	40	48	59	59	48	54	38	46	
		10 to 30	Array Interior	86	86	80	80	63	63	82	82	76	76	59	59	78	78	72	72	55	55	75	75	69	69	52	52	72	72	67	67	49	49	69	69	63	63	46	46	66	66	60	60	44	44	
			Array Edge	74	74	69	69	51	51	71	71	65	65	48	48	67	67	61	61	45	45	64	64	57	57	42	42	60	60	54	54	40	40	57	57	51	51	37	37	54	54	48	48	44	36	
	C	0 to 3	Array Interior	89	70	62	62	52	52	84	67	57	57	48	48	80	63	54	54	45	45	77	59	50	50	42	42	74	55	47	47	40	40	71	52	45	45	38	38	68	50	42	42	36	36	
			Array Edge	76	58	50	50	42	42	73	54	46	46	39	39	69	51	43	43	37	37	66	48	41	41	34	34	63	45	38	38	32	32	59	42	36	36	31	31	56	40	34	34	29	29	
		3 to 10	Array Interior	82	82	72	77	58	69	78	78	68	74	54	65	75	75	65	70	50	61	71	71	61	67	47	57	69	69	57	64	44	54	66	66	54	60	42	51	62	62	51	57	40	48	
			Array Edge	71	71	60	67	47	57	68	68	56	62	44	53	64	64	52	58	41	49	60	60	49	55	38	46	56	56	46	52	36	44	53	53	44	49	34	41	50	50	42	46	32	39	
		10 to 30	Array Interior	77	77	72	72	54	54	73	73	68	68	51	51	70	70	65	65	47	47	67	67	61	61	45	45	64	64	57	57	42	42	60	60	54	54	40	40	57	57	51	51	38	38	
			Array Edge	67	67	60	60	44	44	62	62	56	56	41	41	58	58	52	52	38	38	55	55	49	49	36	36	52	52	46	46	34	34	49	49	44	44	32	32	46	46	42	42	31	31	
D	0 to 3	Array Interior	84	67	57	57	48	48	80	62	53	53	45	45	76	58	50	50	42	42	73	55	47	47	39	39	70	52	44	44	37	37	68	49	42	42	35	35	64	46	40	40	33	33		
		Array Edge	73	54	46	46	39	39	69	50	43	43	36	36	66	47	40	40	34	34	62	44	38	38	32	32	58	42	36	36	30	30	55	40	34	34	29	29	52	38	32	32	27	27		
	3 to 10	Array Interior	78	78	68	74	54	65	74	74	64	70	50	60	71	71	60	67	47	57	68	68	56	63	44	53	65	65	53	59	41	50	61	61	50	56	39	47	58	58	48	53	37	45		
		Array Edge	68	68	56	62	44	53	63	63	52	58	41	49	59	59	49	54	38	46	56	56	46	51	36	43	52	52	43	48	34	41	49	49	41	45	32	38	47	47	39	43	30	36		
	10 to 30	Array Interior	73	73	68	68	51	51	70	70	64	64	47	47	67	67	60	60	44	44	63	63	56	56	41	41	59	59	53	53	39	39	56	56	50	50	37	37	53	53	48	48	35	35		
		Array Edge	62	62	56	56	41	41	58	58	52	52	38	38	54	54	49	49	36	36	51	51	46	46	34	34	48	48	43	43	32	32	45	45	41	41	30	30	43	43	39	39	28	28		
10 psf	B	0 to 3	Array Interior	87	78	70	70	60	60	87	74	67	67	56	56	87	71	62	62	53	53	85	68	59	59	49	49	82	65	55	55	46	46	79	61	52	52	44	44	76	58	49	49	42	42	
			Array Edge	85	68	58	5																																							



Maximum Rail Spans (Inches)			K2 Systems 48-XL Flush-Mount Dual Rail, Enclosed Mono Slope Roof 30-60ft, 72 Cell(P) Rail Only																																																																																																
Ground Snow Load	Exposure Category	Panel Angle	Wind Speed ->																																																																																																
			140 mph						150 mph						160 mph						170 mph						180 mph						190 mph						200 mph																																																												
			Roof Zone ->																																																																																																
			1'	1	2'	2	3'	3	1'	1	2'	2	3'	3	1'	1	2'	2	3'	3	1'	1	2'	2	3'	3	1'	1	2'	2	3'	3	1'	1	2'	2	3'	3	1'	1	2'	2	3'	3																																																							
20 psf	B	0 to 3	Array Interior	77	77	70	70	60	60	77	74	67	67	56	56	77	71	62	62	53	53	77	68	59	59	49	49	77	65	55	55	46	46	77	61	52	52	44	44	76	58	49	49	42	42	Array Edge	77	68	58	58	49	49	77	63	54	54	46	46	77	59	51	51	43	43	74	55	47	47	40	40	71	52	45	45	38	38	68	49	42	42	36	36	65	47	40	40	34	34											
		3 to 10	Array Interior	77	77	77	77	67	67	77	77	77	77	63	63	77	77	73	73	58	58	77	69	75	75	67	67	69	69	76	76	67	67	52	52	63	73	63	69	49	59	71	71	60	67	46	46	56	56	Array Edge	77	77	69	74	54	66	75	75	65	71	51	61	72	72	61	68	47	57	69	69	57	64	45	54	66	66	54	60	42	51	62	62	51	57	40	48	59	59	48	54	38	46							
		10 to 30	Array Interior	86	86	80	80	63	63	82	82	76	76	59	59	78	78	72	72	55	55	75	75	69	69	52	52	72	72	67	67	49	49	69	69	63	63	46	46	66	66	60	60	44	44	64	64	Array Edge	74	74	69	69	51	51	71	71	65	65	48	48	67	67	61	61	45	45	64	64	57	57	42	42	60	60	54	54	40	40	57	57	51	51	37	37	56	54	48	48	36	36									
		0 to 3	Array Interior	77	77	62	62	52	52	77	67	57	57	48	48	77	63	54	54	45	45	77	59	50	50	42	42	74	55	47	47	40	40	71	52	45	45	38	38	68	50	42	42	36	36	65	47	40	40	34	34	Array Edge	76	58	50	50	42	42	73	54	46	46	39	39	69	51	43	43	37	37	66	48	41	41	34	34	63	45	38	38	32	32	59	42	36	36	31	31	56	40	34	34	29	29					
		3 to 10	Array Interior	77	77	72	77	58	69	77	77	68	74	54	65	75	75	65	70	50	61	71	71	61	67	47	57	69	69	57	64	44	54	66	66	54	60	42	51	62	62	51	57	40	48	59	59	48	54	38	46	Array Edge	71	71	60	67	47	57	68	68	56	62	44	53	64	64	52	58	41	49	60	60	49	55	38	46	56	56	46	52	36	44	53	53	44	49	34	41	50	50	42	46	32	39					
		10 to 30	Array Interior	77	77	72	72	54	54	73	73	68	68	51	51	74	70	65	65	47	47	67	67	61	61	45	45	64	64	57	57	42	42	60	60	54	54	40	40	57	57	51	51	37	37	53	53	48	48	35	35	Array Edge	67	67	60	60	44	44	62	62	56	56	41	41	58	58	52	52	38	38	55	55	49	49	36	36	52	52	46	46	34	34	49	49	44	44	32	32	49	49	44	44	32	32	46	46	42	42	31
	0 to 3	Array Interior	77	67	57	57	48	48	77	62	53	53	45	45	76	58	50	50	42	42	73	55	47	47	39	39	70	52	44	44	37	37	68	49	42	42	35	35	64	46	40	40	33	33	61	48	41	41	27	27	Array Edge	73	54	46	46	39	39	69	50	43	43	36	36	66	47	40	40	34	34	62	44	38	38	32	32	58	42	36	36	30	30	55	40	34	34	29	29	52	38	32	32	27	27						
	3 to 10	Array Interior	77	77	68	74	54	65	74	74	64	70	50	60	71	71	60	67	47	57	68	68	56	63	44	53	65	65	53	59	41	50	61	61	50	56	39	47	58	58	48	53	37	45	56	56	40	40	30	36	Array Edge	68	68	56	62	44	53	63	63	52	58	41	49	59	59	49	54	38	46	56	56	46	51	36	43	62	62	52	58	42	42	60	60	54	54	40	40	57	57	51	51	37	37	53	48	43	43	30	36
	10 to 30	Array Interior	73	73	68	68	51	51	70	70	64	64	47	47	67	67	60	60	44	44	63	63	56	56	41	41	59	59	53	53	39	39	56	56	50	50	37	37	53	53	48	48	35	35	50	50	45	45	32	32	Array Edge	62	62	56	56	41	41	58	58	52	52	38	38	54	54	49	49	36	36	51	51	46	46	34	34	48	48	43	43	32	32	45	45	41	41	30	30	43	43	39	39	28	28						
	0 to 3	Array Interior	77	77	70	70	60	60	77	74	67	67	56	56	77	71	62	62	53	53	77	68	59	59	49	49	77	65	55	55	46	46	77	61	52	52	44	44	76	58	49	49	42	42	75	49	42	42	34	34	Array Edge	77	68	58	58	49	49	77	63	54	54	46	46	77	59	51	51	43	43	74	55	47	47	40	40	71	52	45	45	38	38	68	49	42	42	36	36	65	47	40	40	34	34						
	3 to 10	Array Interior	77	77	77	77	67	67	77	77	76	77	63	63	77	77	73	73	58	58	77	69	75	75	67	67	69	69	76	76	67	67	52	52	63	73	63	69	49	59	71	71	60	67	46	46	56	56	Array Edge	77	77	69	74	54	66	75	75	65	71	51	61	72	72	61	68	47	57	69	69	57	64	45	54	66	66	54	60	42	51	62	62	51	57	40	48	59	59	48	54	38	46								
	10 to 30	Array Interior	84	84	80	80	63	63	82	82	76	76	59	59	78	78	72	72	55	55	75	75	69	69	52	52	72	72	67	67	49	49	69	69	63	63	46	46	66	66	60	60	44	44	64	64	Array Edge	74	74	69	69	51	51	71	71	65	65	48	48	67	67	61	61	45	45	64	64	57	57	42	42	60	60	54	54	40	40	57	57	51	51	37	37	54	54	48	48	36	36										
0 to 3	Array Interior	77	77	62	62	52	52	77	67	57	57	48	48	77	63	54	54	45	45	77	59	50	50	42	42	74	55	47	47	40	40	71	52	45	45	38	38	68	50	42	42	36	36	65	47	40	40	34	34	Array Edge	76	58	50	50	42	42	73	54	46	46	39	39	69	51	43	43	37	37	66	48	41	41	34	34	63	45	38	38	32	32	59	42	36	36	31	31	56	40	34	34	29	29							
3 to 10	Array Interior	77	77	72	77	58	69	77	77	68	74	54	65	75	75	65	70	50	61	71	71	61	67	47	57	69	69	57	64	44	54	66	66	54	60	42	51	62	62	51	57	40	48	59	59	48	54	38	46	Array Edge	71	71	60	67	47	57	68	68	56	62	44	53	64	64	52	58	41	49	60	60	49	55	38	46	56	56	46	52	36	44	53	53	44	49	34	41	50	50	42	46	32	39							
10 to 30	Array Interior	77	77	72	72	54	54	73	73	68	68	51	51	74	70	65	65	47	47	67	67	61	61	45	45	64	64	57	57	42	42	60	60	54	54	40	40	57	57	51	51	37	37	53	53	48	48	35	35	Array Edge	67	67	60	60	44	44	62	62	56	56	41	41	58	58	52	52	38	38	55	55	49	49	36	36	52	52	46	46	34	34	49	49	44	44	32	32	49	49	44	44	32	32	46	46	42	42	31	31	
0 to 3	Array Interior	77	67	57	57	48	48	77	62	53	53	45	45	76	58	50	50	42	42	73	55	47	47	39	39	70	52	44	44	37	37	68	49	42	42	35	35	64	46	40	40	33	33	61	48	41	41	27	27	Array Edge	73	54	46	46	39	39	69	50	43	43	36	36	66	47	40	40	34	34	62	44	38	38	32	32	58	42	36	36	30	30	55	40	34	34	29	29	52	38	32	32	27	27							
3 to 10	Array Interior	77	77	68	74	54	65	74	74	64	70	50	60	71	71	60	67	47	57	68	68	56	63	44	53	65	65	53	59	41	50	61	61	50	56	39	47	58	58	48	53	37	45	56	56	40	40	30	36	Array Edge	68	68	56	62	44	53	63	63	52	58	41	49	59	59	49	54	38	46	56	56	46	51	36	43	62	62	52	58	42	42	60	60	54	54	40	40	57	57	51	51	37	37	53	48	43	43	30	36	
10 to 30	Array Interior	73	73	68	68	51	51	70	70	64	64	47	47	67	67	60	60	44	44	63	63	56	56	41	41	59	59	53	53	39	39	56	56	50	50	37	37	53	53	48	48	35	35	50	50	45	45	32	32	Array Edge	62	62	56	56	41	41	58	58	52	52	38	38	54																																				



Maximum Rail Spans (Inches)			K2 Systems 48-XL Flush-Mount Dual Rail, Enclosed Mono Slope Roof 30-60ft, 72 Cell(P) Rail Only																																																																																				
Ground Snow Load	Exposure Category	Panel Angle	Wind Speed ->	140 mph						150 mph						160 mph						170 mph						180 mph						190 mph						200 mph																																															
			Roof Zone ->	1'	1	2'	2	3'	3	1'	1	2'	2	3'	3	1'	1	2'	2	3'	3	1'	1	2'	2	3'	3	1'	1	2'	2	3'	3	1'	1	2'	2	3'	3	1'	1	2'	2	3'	3																																										
40 psf	B	0 to 3	Array Interior	69	69	69	69	60	60	69	69	67	67	56	56	69	69	62	62	53	53	69	68	59	59	49	49	69	65	55	55	46	46	69	61	52	52	44	44	69	58	49	49	42	42	69	68	58	58	49	49	69	63	54	54	46	46	69	59	51	51	43	43	69	55	47	47	40	40	68	52	45	45	38	38	67	49	42	42	36	36	65	47	40	40	34	34
			Array Edge	70	70	70	70	67	70	70	70	63	70	70	63	70	70	70	61	70	58	70	70	69	70	55	67	60	70	67	70	52	63	70	70	63	69	49	59	70	70	60	67	46	56	66	56	48	54	38	46																																				
		3 to 10	Array Interior	70	70	70	70	67	70	70	70	63	70	70	63	70	70	70	61	70	58	70	70	69	70	55	67	60	70	67	70	52	63	70	70	63	69	49	59	70	70	60	67	46	56	66	56	48	54	38	46																																				
			Array Edge	70	70	69	70	54	66	70	70	65	70	51	61	70	70	61	68	47	57	69	69	57	64	45	54	66	66	54	60	42	51	62	62	51	57	40	48	59	59	48	54	38	46																																										
		10 to 30	Array Interior	77	77	77	77	63	63	77	77	76	76	59	59	77	77	72	72	55	55	75	75	69	69	52	52	72	72	67	67	49	49	69	69	63	63	46	46	66	66	60	60	44	44	66	56	48	48	36	36																																				
			Array Edge	74	74	69	69	51	51	71	71	65	65	48	48	67	67	61	61	45	45	64	64	57	57	42	42	60	60	54	54	40	40	57	57	51	51	37	37	56	54	48	48	36	36																																										
	Array Edge	69	58	50	50	42	42	69	54	46	46	39	39	67	51	43	43	37	37	66	48	41	41	34	34	63	45	38	38	32	32	59	42	36	36	31	31	56	40	34	34	29	29																																												
	3 to 10	Array Interior	70	70	70	70	58	69	70	70	68	70	54	65	70	70	65	70	50	61	70	70	61	67	47	57	69	69	57	64	44	54	66	66	54	60	42	51	62	62	51	57	40	48	59	59	48	54	38	46																																					
		Array Edge	70	70	60	67	47	57	68	68	56	62	44	53	64	64	52	58	41	49	60	60	49	55	38	46	56	56	46	52	36	44	53	53	44	49	34	41	50	50	42	46	32	39																																											
	10 to 30	Array Interior	77	77	72	72	54	54	73	73	68	68	51	51	70	70	65	65	47	47	67	67	61	61	45	45	64	64	57	57	42	42	60	60	54	54	40	40	57	57	51	51	37	37	56	54	48	48	36	36																																					
		Array Edge	67	67	60	60	44	44	62	62	56	56	41	41	58	58	52	52	38	38	55	55	49	49	36	36	52	52	46	46	34	34	49	49	44	44	32	32	49	49	44	44	32	32	46	46	42	42	31	31																																					
	Array Edge	71	54	46	46	39	39	69	50	43	43	36	36	66	47	40	40	34	34	62	44	38	38	32	32	58	42	36	36	30	30	55	40	34	34	29	29	52	38	32	32	27	27																																												
3 to 10	Array Interior	73	73	68	73	54	65	73	73	64	70	50	60	71	71	60	67	47	57	68	68	56	63	44	53	65	65	53	59	41	50	61	61	50	56	39	47	58	58	48	53	37	45	57	57	43	30	36																																							
	Array Edge	68	68	56	62	44	53	63	63	52	58	41	49	59	59	49	54	38	46	56	56	46	51	36	43	62	52	43	48	34	41	49	49	41	45	32	38	47	47	39	43	30	36																																												
10 to 30	Array Interior	73	73	68	68	51	51	70	70	64	64	47	47	67	67	60	60	44	44	63	63	56	56	41	41	59	59	53	53	39	39	56	56	50	50	37	37	53	53	48	48	35	35	53	43	39	39	28	28																																						
	Array Edge	62	62	56	56	41	41	58	58	52	52	38	38	54	54	49	49	36	36	51	51	46	46	34	34	48	48	43	43	32	32	45	45	41	41	30	30	43	43	39	39	28	28																																												
45 psf	B	0 to 3	Array Interior	66	66	66	66	60	60	66	66	66	66	56	56	66	66	62	62	53	53	66	66	59	59	49	49	66	65	55	55	46	46	66	61	52	52	44	44	66	58	49	49	42	42	66	49	40	40	34	34																																				
			Array Edge	66	66	58	58	49	49	66	63	54	54	46	46	66	59	51	51	43	43	66	55	47	47	40	40	65	52	45	45	38	38	64	49	42	42	36	36	63	47	40	40	34	34																																										
		3 to 10	Array Interior	67	67	67	67	67	67	67	67	67	67	63	67	67	67	67	58	67	67	67	67	67	55	67	67	67	67	67	67	52	63	67	67	67	67	49	59	67	67	60	67	46	56	66	60	44	46																																						
			Array Edge	67	67	67	67	54	66	67	67	65	67	51	61	67	67	61	67	47	57	67	67	57	64	45	54	66	66	54	60	42	51	62	62	51	57	40	48	59	59	48	54	38	46																																										
		10 to 30	Array Interior	74	74	74	74	63	63	74	74	74	74	59	59	74	74	72	72	55	55	74	74	69	69	52	52	72	72	67	67	49	49	69	69	63	63	46	46	66	66	60	60	44	44	66	56	48	48	36	36																																				
			Array Edge	74	74	69	69	51	51	71	71	65	65	48	48	67	67	61	61	45	45	64	64	57	57	42	42	60	60	54	54	40	40	57	57	51	51	37	37	54	54	48	48	36	36																																										
	Array Edge	66	58	50	50	42	42	66	54	46	46	39	39	65	51	43	43	37	37	64	48	41	41	34	34	63	45	38	38	32	32	59	42	36	36	31	31	56	40	34	34	29	29																																												
	3 to 10	Array Interior	67	67	67	67	58	67	67	67	67	67	54	65	67	67	65	67	50	61	67	67	61	67	47	57	67	67	61	67	47	57	67	67	64	64	44	54	66	66	54	60	42	51	62	62	51	57	40	48																																					
		Array Edge	67	67	60	60	44	44	67	67	56	62	44	53	64	64	52	58	41	49	60	60	49	55	38	46	56	56	46	52	36	44	53	53	44	49	34	41	50	50	42	46	32	39																																											
	10 to 30	Array Interior	74	74	72	72	54	54	73	73	68	68	51	51	70	70	65	65	47	47	67	67	61	61	45	45	64	64	57	57	42	42	60	60	54	54	40	40	57	57	51	51	37	37	56	54	48	48	36	36																																					
		Array Edge	67	67	60	60	44	44	62	62	56	56	41	41	58	58	52	52	38	38	55	55	49	49	36	36	52	52	46	46	34	34	49	49	44	44	32	32	49	49	44	44	32	32	46	46	42	42	31	31																																					
	Array Edge	69	54	46	46	39	39	67	50	43	43	36	36	66	47	40	40	34	34	62	44	38	38	32	32	58	42	36	36	30	30	55	40	34	34	29	29	52	38	32	32	27	27																																												
3 to 10	Array Interior	70	70	68	70	54	65	70	70	64	70	50	60	70	70	60	67	47	57	68	68	56	63	44	53	65	65	53	59	41	50	61	61	50	56	39	47	58	58	48	53	37	45	57	57	43	30	36																																							
	Array Edge	68	68	56	62	44	53	63	63	52	58	41	49	59	59	49	54	38	46	56	56	46	51	36	43	62	52	43	48	34	41	49	49	41	45	32																																																			









Maximum Rail Spans (Inches)			K2 Systems X80 Flush-Mount Dual Rail, Enclosed Mono Slope Roof 0-30ft, 72 Cell(L) Rail Only																																												
Ground Snow Load	Exposure Category	Panel Angle	Wind Speed ->																																												
			140 mph						150 mph						160 mph						170 mph						180 mph						190 mph						200 mph								
			Roof Zone ->						Roof Zone ->						Roof Zone ->						Roof Zone ->						Roof Zone ->						Roof Zone ->														
			1'	1	2'	2	3'	3	1'	1	2'	2	3'	3	1'	1	2'	2	3'	3	1'	1	2'	2	3'	3	1'	1	2'	2	3'	3	1'	1	2'	2	3'	3	1'	1	2'	2	3'	3			
0 psf	B	0 to 3	Array Interior	180	155	139	139	124	124	180	148	132	132	118	118	178	141	127	127	112	112	170	135	121	121	105	105	163	130	117	117	99	99	157	125	111	111	93	93	151	120	105	105	89	89	72	72
			Array Edge	169	134	121	121	104	104	161	128	115	115	97	97	153	122	107	107	90	90	147	117	101	101	85	85	141	111	95	95	80	80	135	105	90	90	76	76	131	100	85	85	72	72		
		3 to 10	Array Interior	180	180	159	171	133	152	173	173	151	163	127	145	165	165	144	155	121	138	158	158	138	148	116	132	151	151	132	143	110	127	146	146	127	137	104	122	140	140	123	132	99	118	80	97
			Array Edge	157	157	137	148	116	131	149	149	130	140	108	125	145	142	142	125	134	101	120	136	136	120	129	95	114	131	131	115	123	89	108	126	126	108	119	84	102	122	122	103	114	80	97	
		10 to 30	Array Interior	170	170	158	158	128	128	162	162	150	150	122	122	154	154	144	144	117	117	148	148	137	137	110	110	142	142	132	132	104	104	137	137	127	127	98	98	132	132	123	123	93	93	76	76
			Array Edge	147	147	137	137	109	109	140	140	130	130	102	102	135	135	124	124	95	95	128	128	119	119	89	89	123	123	114	114	84	84	119	119	108	108	80	80	114	114	103	103	76	76		
	C	0 to 3	Array Interior	173	137	124	124	108	108	165	131	118	118	100	100	157	125	111	111	94	94	150	120	104	104	88	88	144	115	98	98	83	83	139	109	93	93	79	79	134	103	88	88	75	75		
			Array Edge	149	119	104	104	87	87	142	113	96	96	81	81	136	105	90	90	76	76	130	99	85	85	72	72	125	93	80	80	68	68	120	88	76	76	64	64	116	84	72	72	61	61		
		3 to 10	Array Interior	161	161	140	151	118	135	153	153	134	144	112	128	146	146	128	137	104	123	140	140	122	132	98	117	134	134	118	126	92	112	129	129	112	122	87	106	125	125	106	118	83	100		
			Array Edge	139	139	122	131	97	117	132	132	116	125	90	109	126	126	109	119	85	102	121	121	102	114	80	96	116	116	96	107	75	91	111	111	91	101	71	86	105	105	86	96	67	81		
		10 to 30	Array Interior	151	151	140	140	113	113	144	144	133	133	105	105	137	137	127	127	98	98	131	131	122	122	93	93	126	126	117	117	87	87	122	122	112	112	83	83	117	117	106	106	78	78		
			Array Edge	131	131	121	121	92	92	124	124	116	116	85	85	119	119	109	109	80	80	114	114	102	102	75	75	107	107	96	96	71	71	101	101	91	91	67	67	96	96	86	86	64	64		
D	0 to 3	Array Interior	163	129	116	116	99	99	155	123	109	109	92	92	148	118	102	102	86	86	141	112	96	96	81	81	136	106	90	90	76	76	131	100	85	85	72	72	126	95	81	81	68	68			
		Array Edge	141	111	95	95	80	80	134	103	88	88	75	75	128	97	83	83	70	70	123	91	78	78	66	66	118	86	73	73	62	62	112	81	69	69	59	59	107	77	66	66	56	56			
	3 to 10	Array Interior	151	151	132	142	110	127	144	144	126	136	102	121	137	137	120	130	96	116	132	132	115	124	90	109	126	126	109	119	85	102	122	122	103	115	80	97	117	117	98	109	76	92			
		Array Edge	131	131	114	123	89	108	125	125	107	118	83	100	119	119	100	111	78	94	114	114	94	104	73	88	107	107	88	98	69	83	101	101	84	93	65	79	96	96	79	88	62	75			
	10 to 30	Array Interior	142	142	132	132	104	104	135	135	126	126	96	96	129	129	120	120	90	90	124	124	115	115	85	85	119	119	109	109	80	80	114	114	103	103	76	76	108	108	97	97	72	72			
		Array Edge	123	123	114	114	84	84	117	117	106	106	78	78	111	111	100	100	73	73	104	104	93	93	69	69	98	98	88	88	65	65	88	88	79	79	58	58	72	72							
5 psf	B	0 to 3	Array Interior	174	155	139	139	124	124	174	148	132	132	118	118	174	141	127	127	112	112	170	135	121	121	105	105	163	130	117	117	99	99	157	125	111	111	93	93	151	120	105	105	89	89	72	72
			Array Edge	169	134	121	121	104	104	161	128	115	115	97	97	153	122	107	107	90	90	147	117	101	101	85	85	141	111	95	95	80	80	135	105	90	90	76	76	131	100	85	85	72	72		
		3 to 10	Array Interior	174	174	159	171	133	152	173	173	151	163	127	145	165	165	144	155	121	138	158	158	138	148	116	132	151	151	132	143	110	127	146	146	127	137	104	122	140	140	123	132	99	118	80	97
			Array Edge	157	157	137	148	116	131	149	149	130	140	108	125	145	142	142	125	134	101	120	136	136	120	129	95	114	131	131	115	123	89	108	126	126	108	119	84	102	122	122	103	114	80	97	
		10 to 30	Array Interior	166	166	158	158	128	128	162	162	150	150	122	122	155	155	144	144	117	117	148	148	137	137	110	110	142	142	132	132	104	104	137	137	127	127	98	98	132	132	123	123	93	93	76	76
			Array Edge	147	147	137	137	109	109	140	140	130	130	102	102	134	134	124	124	95	95	128	128	119	119	89	89	123	123	114	114	84	84	119	119	108	108	80	80	114	114	103	103	76	76		
	C	0 to 3	Array Interior	173	137	124	124	108	108	165	131	118	118	100	100	157	125	111	111	94	94	150	120	104	104	88	88	144	115	98	98	83	83	139	109	93	93	79	79	134	103	88	88	75	75		
			Array Edge	149	119	104	104	87	87	142	113	96	96	81	81	136	105	90	90	76	76	130	99	85	85	72	72	125	93	80	80	68	68	120	88	76	76	64	64	116	84	72	72	61	61		
		3 to 10	Array Interior	161	161	140	151	118	135	153	153	134	144	112	128	146	146	128	137	104	123	140	140	122	132	98	117	134	134	118	126	92	112	129	129	112	122	87	106	125	125	106	118	83	100		
			Array Edge	139	139	122	131	97	117	132	132	116	125	90	109	126	126	109	119	85	102	121	121	102	114	80	96	116	116	96	107	75	91	111	111	91	101	71	86	105	105	86	96	67	81		
		10 to 30	Array Interior	151	151	140	140	113	113	144	144	133	133	105	105	137	137	127	127	98	98	131	131	122	122	93	93	126	126	117	117	87	87	122	122	112	112	83	83	117	117	106	106	78	78		
			Array Edge	131	131	121	121	92	92	124	124	116	116	85	85	119	119	109	109	80	80	114	114	102	102	75	75	107	107	96	96	71	71	101	101	91	91	67	67	96	96	86	86	64	64		
D	0 to 3	Array Interior	163	129	116	116	99	99	155	123	109	109	92	92	148	118	102	102	86	86	141	112	96	96	81	81	136	106	90	90	76	76	131	100	85	85	72	72	126	95	81	81	68	68			
		Array Edge	141	111	95	95	80	80	134	103	88	88	75	75	128	97	83	83	70	70	123	91	78	78	66	66	118	86	73	73	62	62	112	81	69	69	59	59	107	77	66	66	56	56			
	3 to 10	Array Interior	151	151	132	142	110	127	144	144	126	136	102	121	137	137	120	130	96	116	132	132	115	124	90	109	126	126	109	119	85	102	122	122	103	115	80	97	117	117	98	109	76	92			
		Array Edge	131	131	114	123	89	108	125	125	107	118	83	100	119	119	100	111	78	94	114	114	94	104	73	88	107	107	88	98	69	8															

Maximum Rail Spans (Inches)			K2 Systems X80 Flush-Mount Dual Rail, Enclosed Mono Slope Roof 0-30ft, 72 Cell(L) Rail Only																																										
Ground Snow Load	Exposure Category	Panel Angle	Wind Speed ->																																										
			95 mph						100 mph						105 mph						110 mph						115 mph						120 mph						130 mph						
			Roof Zone ->																																										
			1'	1	2'	2	3'	3	1'	1	2'	2	3'	3	1'	1	2'	2	3'	3	1'	1	2'	2	3'	3	1'	1	2'	2	3'	3	1'	1	2'	2	3'	3	1'	1	2'	2	3'	3	
20 psf	B	0 to 3	Array Interior	143	143	143	143	143	143	143	143	143	143	143	143	143	143	143	143	143	143	143	143	143	143	143	143	143	143	143	143	143	143	143	143	143	143	143	143	143	143	143	143	143	143
		Array Edge	143	143	143	143	141	141	143	143	143	143	136	136	143	143	143	143	131	131	143	143	143	143	127	127	143	143	143	143	127	127	143	143	143	143	123	123	143	143	143	143	120	120	
		3 to 10	Array Interior	143	143	143	143	143	143	143	143	143	143	143	143	143	143	143	143	143	143	143	143	143	143	143	143	143	143	143	143	143	143	143	143	143	143	143	143	143	143	143	143	143	143
		Array Edge	143	143	143	143	143	143	143	143	143	143	143	143	143	143	143	143	141	141	143	143	143	143	137	137	143	143	143	143	133	133	143	143	143	143	129	129	143	143	143	143	122	122	
		10 to 30	Array Interior	134	134	134	134	134	134	134	134	134	134	134	134	134	134	134	134	134	134	134	134	134	134	134	134	134	134	134	134	134	134	134	134	134	134	134	134	134	134	134	134	134	134
		Array Edge	134	134	134	134	134	134	134	134	134	134	134	134	134	134	134	134	134	134	134	134	134	134	134	134	134	134	134	134	134	134	134	134	134	134	124	124	134	134	134	134	124	124	
	C	0 to 3	Array Interior	143	143	143	143	143	143	143	143	143	143	139	139	143	143	143	143	135	135	143	143	143	143	130	130	143	143	142	142	126	126	143	143	138	138	123	123	143	143	130	130	116	116
		Array Edge	143	143	141	141	125	125	143	143	136	136	121	121	143	143	131	131	117	117	143	141	127	127	112	112	143	137	123	123	107	107	143	133	119	119	102	102	143	126	112	112	94	94	
		3 to 10	Array Interior	143	143	143	143	143	143	143	143	143	143	143	143	143	143	143	143	143	143	143	143	143	143	140	143	143	143	143	143	136	143	143	143	143	143	132	143	143	143	143	143	125	142
		Array Edge	143	143	143	143	135	143	143	143	143	143	130	143	143	143	143	143	126	143	143	143	143	143	122	138	143	143	140	143	118	134	143	143	136	143	114	130	143	143	128	138	105	123	
		10 to 30	Array Interior	134	134	134	134	134	134	134	134	134	134	134	134	134	134	134	134	134	134	134	134	134	134	134	134	134	134	134	134	130	130	134	134	134	134	127	127	134	134	134	134	120	120
		Array Edge	134	134	134	134	129	129	134	134	134	134	125	125	134	134	134	134	121	121	134	134	134	134	117	117	134	134	134	134	112	112	134	134	134	134	107	107	134	134	128	128	99	99	
D	0 to 3	Array Interior	143	143	143	143	136	136	143	143	143	143	131	131	143	143	143	143	127	127	143	143	138	138	123	123	143	143	134	134	119	119	143	143	130	130	116	116	143	136	123	123	107	107	
	Array Edge	143	143	133	133	118	118	143	142	128	128	113	113	143	138	124	124	108	108	143	133	120	120	103	103	143	129	116	116	98	98	143	125	111	111	94	94	143	118	102	102	86	86		
	3 to 10	Array Interior	143	143	143	143	143	143	143	143	143	143	141	143	143	143	143	143	137	143	143	143	143	143	132	143	143	143	143	143	128	143	143	143	143	143	124	142	143	143	139	143	118	134	
	Array Edge	143	143	143	143	127	143	143	143	143	143	132	139	143	143	140	143	118	135	143	143	136	143	114	130	143	143	132	142	109	126	143	143	128	138	104	123	138	138	121	130	96	116		
	10 to 30	Array Interior	138	138	138	138	138	138	138	138	138	138	136	136	138	138	138	138	131	131	138	138	138	138	127	127	138	138	138	138	123	123	138	138	138	138	119	119	138	138	138	138	112	112	
	Array Edge	138	138	138	138	122	122	138	138	138	138	118	118	138	138	138	138	113	113	138	138	136	136	108	108	138	138	131	131	103	103	137	137	128	128	99	99								
25 psf	B	0 to 3	Array Interior	143	143	143	143	143	143	143	143	143	143	143	143	143	143	143	143	143	143	143	143	143	143	143	143	143	143	143	143	143	143	143	143	143	143	143	143	143	143	143	143	143	143
		Array Edge	143	143	143	143	141	141	143	143	143	143	136	136	143	143	143	143	131	131	143	143	143	143	127	127	143	143	143	143	123	123	143	143	143	143	123	123	143	143	143	143	120	120	
		3 to 10	Array Interior	143	143	143	143	143	143	143	143	143	143	143	143	143	143	143	143	143	143	143	143	143	143	143	143	143	143	143	143	143	143	143	143	143	143	143	143	143	143	143	143	143	143
		Array Edge	143	143	143	143	143	143	143	143	143	143	143	143	143	143	143	143	141	141	143	143	143	143	137	143	143	143	143	143	132	143	143	143	143	143	128	143	143	143	143	143	124	142	
		10 to 30	Array Interior	126	126	126	126	126	126	126	126	126	126	126	126	126	126	126	126	126	126	126	126	126	126	126	126	126	126	126	126	126	126	126	126	126	126	126	126	126	126	126	126	126	126
		Array Edge	126	126	126	126	126	126	126	126	126	126	126	126	126	126	126	126	126	126	126	126	126	126	126	126	126	126	126	126	126	126	126	126	126	126	126	126	126	126	126	126	126	126	
	C	0 to 3	Array Interior	143	143	143	143	143	143	143	143	143	143	139	139	143	143	143	143	135	135	143	143	143	143	130	130	143	143	142	142	126	126	143	143	138	138	123	123	143	143	130	130	116	116
		Array Edge	143	143	141	141	125	125	143	143	136	136	121	121	143	143	131	131	117	117	143	141	127	127	112	112	143	137	123	123	107	107	143	133	119	119	102	102	143	126	112	112	94	94	
		3 to 10	Array Interior	143	143	143	143	143	143	143	143	143	143	143	143	143	143	143	143	143	143	143	143	143	143	143	143	143	143	143	143	143	143	143	143	143	143	143	143	143	143	143	143	143	143
		Array Edge	143	143	143	143	135	143	143	143	143	143	130	143	143	143	143	143	126	143	143	143	143	143	122	138	143	143	140	143	118	134	143	143	136	143	114	130	143	143	128	138	105	123	
		10 to 30	Array Interior	126	126	126	126	126	126	126	126	126	126	126	126	126	126	126	126	126	126	126	126	126	126	126	126	126	126	126	126	126	126	126	126	126	126	126	126	126	126	126	126	126	126
		Array Edge	126	126	126	126	126	126	126	126	126	126	125	125	126	126	126	126	121	121	126	126	126	126	117	117	126	126	126	126	112	112	126	126	126	126	107	107	126	126	126	126	99	99	
D	0 to 3	Array Interior	143	143	143	143	136	136	143	143	143	143	131	131	143	143	143	143	127	127	143	143	138	138	123	123	143	143	134	134	119	119	143	143	130	130	116	116	143	136	123	123	107	107	
	Array Edge	143	143	133	133	118	118	143	142	128	128	113	113	143	138	124	124	108	108	143	133	120	120	103	103	143	129	116	116	98	98	143	125	111	111	94	94	143	118	102	102	86	86		
	3 to 10	Array Interior	143	143	143	143	143	143	143	143	143	143	141	143	143	143	143	143	137	143																									

Maximum Rail Spans (Inches)			K2 Systems X80 Flush-Mount Dual Rail, Enclosed Mono Slope Roof 0-30ft, 72 Cell(L) Rail Only																																												
Ground Snow Load	Exposure Category	Panel Angle	Wind Speed -> 140 mph						150 mph						160 mph						170 mph						180 mph						190 mph						200 mph								
			Roof Zone ->																																												
			1'	1	2'	2	3'	3	1'	1	2'	2	3'	3	1'	1	2'	2	3'	3	1'	1	2'	2	3'	3	1'	1	2'	2	3'	3	1'	1	2'	2	3'	3	1'	1	2'	2	3'	3			
20 psf	B	0 to 3	Array Interior	143	143	139	139	124	124	143	143	132	132	118	118	143	141	127	127	112	112	143	135	121	121	105	105	143	130	117	117	99	99	143	125	111	111	93	93	143	120	105	105	89	89	72	72
			Array Edge	143	134	121	121	104	104	143	128	115	115	97	97	143	122	107	107	90	90	143	117	101	101	85	85	141	111	95	95	80	80	135	105	90	90	76	76	131	100	85	85	72	72		
		3 to 10	Array Interior	143	143	143	143	133	143	143	143	143	143	127	143	143	143	143	143	121	138	143	143	138	143	116	132	143	143	132	143	110	127	143	143	127	137	104	122	140	140	123	132	99	118		
			Array Edge	143	143	137	143	116	131	143	143	130	140	108	125	142	142	125	134	101	120	136	136	120	129	95	114	131	131	115	123	89	108	126	126	108	119	84	102	122	122	103	114	80	97		
		10 to 30	Array Interior	134	134	134	134	128	128	134	134	134	134	122	122	134	134	134	134	117	117	134	134	134	134	110	110	134	134	132	132	104	104	134	134	127	127	98	98	132	132	123	123	93	93		
			Array Edge	134	134	134	134	109	109	134	134	130	130	102	102	134	134	124	124	95	95	128	128	119	119	89	89	143	123	114	114	84	84	119	119	108	108	80	80	114	114	103	103	76	76		
	C	0 to 3	Array Interior	143	137	124	124	108	108	143	131	118	118	100	100	143	125	111	111	94	94	143	120	104	104	88	88	143	115	98	98	83	83	139	109	93	93	79	79	134	103	88	88	75	75		
			Array Edge	143	119	104	104	87	87	142	113	96	96	81	81	136	105	90	90	76	76	130	99	85	85	72	72	125	93	80	80	68	68	120	88	76	76	64	64	116	84	72	72	61	61		
		3 to 10	Array Interior	143	143	140	143	118	135	143	143	134	143	112	128	143	143	128	137	104	123	140	140	122	132	98	117	134	134	118	126	92	112	129	129	112	122	87	106	125	125	106	118	83	100		
			Array Edge	139	139	122	131	97	117	132	132	116	125	90	109	126	126	109	119	85	102	121	121	102	114	80	96	116	116	96	107	75	91	111	111	91	101	71	86	105	105	86	96	67	81		
		10 to 30	Array Interior	134	134	134	134	113	113	134	134	133	133	105	105	134	134	127	127	98	98	131	131	122	122	93	93	126	126	117	117	87	87	122	122	112	112	83	83	117	117	106	106	78	78		
			Array Edge	131	131	121	121	92	92	124	124	116	116	85	85	119	119	109	109	80	80	114	114	102	102	75	75	107	107	96	96	71	71	101	101	91	91	67	67	96	96	86	86	64	64		
D	0 to 3	Array Interior	143	129	116	116	99	99	143	123	109	109	92	92	143	118	102	102	86	86	141	112	96	96	81	81	136	106	90	90	76	76	131	100	85	85	72	72	126	95	81	81	68	68			
		Array Edge	141	111	95	95	80	80	134	103	88	88	75	75	128	97	83	83	70	70	123	91	78	78	66	66	118	86	73	73	62	62	112	81	69	69	59	59	107	77	66	66	56	56			
	3 to 10	Array Interior	143	143	132	142	110	127	143	143	126	136	102	121	137	137	120	130	96	116	132	132	115	124	90	109	126	126	109	119	85	102	122	122	103	115	80	97	117	117	98	109	76	92			
		Array Edge	131	131	114	123	89	108	125	125	107	118	83	100	119	119	100	111	78	94	114	114	94	104	73	88	107	107	88	98	69	83	101	101	84	93	65	79	96	96	79	88	62	75			
	10 to 30	Array Interior	138	138	132	132	104	104	135	135	126	126	96	96	129	129	120	120	90	90	124	124	115	115	85	85	119	119	109	109	80	80	114	114	103	103	76	76	108	108	97	97	72	72			
		Array Edge	123	123	114	114	84	84	117	117	106	106	78	78	111	111	100	100	73	73	104	104	93	93	69	69	98	98	88	88	65	65	93	93	83	83	62	62	88	88	79	79	58	58			
25 psf	B	0 to 3	Array Interior	143	143	139	139	124	124	143	143	132	132	118	118	143	141	127	127	112	112	143	135	121	121	105	105	143	130	117	117	99	99	143	125	111	111	93	93	143	120	105	105	89	89	72	72
			Array Edge	143	134	121	121	104	104	143	128	115	115	97	97	143	122	107	107	90	90	143	117	101	101	85	85	141	111	95	95	80	80	135	105	90	90	76	76	131	100	85	85	72	72		
		3 to 10	Array Interior	143	143	143	143	133	143	143	143	143	143	127	143	143	143	143	143	121	138	143	143	138	143	116	132	143	143	132	143	110	127	143	143	127	137	104	122	140	140	123	132	99	118		
			Array Edge	143	143	137	143	116	131	143	143	130	140	108	125	142	142	125	134	101	120	136	136	120	129	95	114	131	131	115	123	89	108	126	126	108	119	84	102	122	122	103	114	80	97		
		10 to 30	Array Interior	126	126	126	126	126	126	126	126	126	126	122	122	126	126	126	126	117	117	126	126	126	126	110	110	126	126	126	126	104	104	126	126	126	126	98	98	126	126	123	123	93	93		
			Array Edge	126	126	126	126	109	109	126	126	126	126	102	102	126	126	124	124	95	95	126	126	119	119	89	89	123	123	114	114	84	84	119	119	108	108	80	80	114	114	103	103	76	76		
	C	0 to 3	Array Interior	143	137	124	124	108	108	143	131	118	118	100	100	143	125	111	111	94	94	143	120	104	104	88	88	143	115	98	98	83	83	139	109	93	93	79	79	134	103	88	88	75	75		
			Array Edge	143	119	104	104	87	87	142	113	96	96	81	81	136	105	90	90	76	76	130	99	85	85	72	72	125	93	80	80	68	68	120	88	76	76	64	64	116	84	72	72	61	61		
		3 to 10	Array Interior	143	143	140	143	118	135	143	143	134	143	112	128	143	143	128	137	104	123	140	140	122	132	98	117	134	134	118	126	92	112	129	129	112	122	87	106	125	125	106	118	83	100		
			Array Edge	139	139	122	131	97	117	132	132	116	125	90	109	126	126	109	119	85	102	121	121	102	114	80	96	116	116	96	107	75	91	111	111	91	101	71	86	105	105	86	96	67	81		
		10 to 30	Array Interior	126	126	126	126	113	113	126	126	126	126	105	105	126	126	126	126	98	98	126	126	122	122	93	93	126	126	117	117	87	87	122	122	112	112	83	83	117	117	106	106	78	78		
			Array Edge	126	126	121	121	92	92	124	124	116	116	85	85	119	119	109	109	80	80	114	114	102	102	75	75	107	107	96	96	71	71	101	101	91	91	67	67	96	96	86	86	64	64		
D	0 to 3	Array Interior	143	129	116	116	99	99	143	123	109	109	92	92	143	118	102	102	86	86	141	112	96	96	81	81	136	106	90	90	76	76	131	100	85	85	72	72	126	95	81	81	68	68			
		Array Edge	141	111	95	95	80	80	134	103	88	88	75	75	128	97	83	83	70	70	123	91	78	78	66	66	118	86	73	73	62	62	112	81	69	69	59	59	107	77	66	66	56	56			
	3 to 10	Array Interior	143	143	132	142	110	127	143	143	126	136	102	121	137	137	120	130	96	116	132	132	115	124	90	109	126	126	109	119	85	102	122	122	103	115	80	97	117	117	98	109	76	92			
		Array Edge	131	131	114	123	89	108	125	125	107	118	83	100	119	119	100	111	78	94	114	114	94	104	73	88	107	107	88	98	69	83	101	101	84	93	65	79	96	96	79	88	62	75			
	10 to																																														



Maximum Rail Spans (Inches)			K2 Systems X80 Flush-Mount Dual Rail, Enclosed Mono Slope Roof 0-30ft, 72 Cell(L) Rail Only																																																						
Ground Snow Load	Exposure Category	Panel Angle	Wind Speed -> 140 mph						150 mph						160 mph						170 mph						180 mph						190 mph						200 mph																		
			Roof Zone ->						1'	1'	2'	2'	3'	3'	1'	1'	2'	2'	3'	3'	1'	1'	2'	2'	3'	3'	1'	1'	2'	2'	3'	3'	1'	1'	2'	2'	3'	3'	1'	1'	2'	2'	3'	3'													
40 psf	B	0 to 3	Array Interior	133	133	133	133	124	124	133	133	132	132	118	118	133	133	127	127	112	112	133	133	121	121	105	105	133	130	117	117	99	99	133	125	111	111	93	93	133	120	105	105	89	89	133	120	105	105	85	85	133	120	105	105	80	80
			Array Edge	133	133	121	121	104	104	133	128	115	115	97	97	133	122	107	107	90	90	133	117	101	101	85	85	133	111	95	95	80	80	132	105	90	90	76	76	134	124	108	108	94	94	134	124	108	108	90	90						
		3 to 10	Array Interior	134	134	134	134	133	134	134	134	134	134	127	134	134	134	134	134	121	134	134	134	134	134	116	132	134	134	132	134	110	127	134	134	127	134	104	122	134	134	123	132	109	118	134	134	123	132	109	97						
			Array Edge	134	134	134	134	116	131	134	134	130	134	108	125	134	134	125	134	101	120	134	134	120	129	95	114	131	131	115	123	89	108	126	126	108	119	84	102	122	122	103	114	80	97												
		10 to 30	Array Interior	110	110	110	110	110	110	110	110	110	110	110	110	110	110	110	110	110	110	110	110	110	110	110	110	110	110	110	110	104	104	110	110	110	110	98	98	110	110	110	110	93	93	110	110	103	103	76	76						
			Array Edge	110	110	110	110	109	109	110	110	110	110	102	102	110	110	110	110	95	95	110	110	110	110	89	89	110	110	110	110	84	84	110	110	108	108	80	80	110	110	103	103	76	76												
	C	0 to 3	Array Interior	133	133	124	124	108	108	133	131	118	118	100	100	133	125	111	111	94	94	133	120	104	104	88	88	133	115	98	98	83	83	133	109	93	93	79	79	132	103	88	88	75	75	132	103	88	88	75	75						
			Array Edge	133	119	104	104	87	87	133	113	96	96	81	81	132	105	90	90	76	76	130	99	85	85	72	72	125	93	80	80	68	68	120	88	76	76	64	64	116	84	72	72	61	61												
		3 to 10	Array Interior	134	134	134	134	118	134	134	134	134	134	112	128	134	134	128	134	104	123	134	134	122	132	98	117	134	134	118	126	92	112	129	129	112	122	87	106	125	125	106	118	83	100												
			Array Edge	134	134	122	131	97	117	132	132	116	125	90	109	126	126	109	119	85	102	121	121	102	114	80	96	116	116	96	107	75	91	111	111	91	101	71	86	105	105	86	96	67	81												
		10 to 30	Array Interior	110	110	110	110	110	110	110	110	110	110	110	110	110	110	110	110	98	98	110	110	110	110	98	98	110	110	110	110	87	87	110	110	110	110	83	83	110	110	106	106	78	78												
			Array Edge	110	110	110	110	92	92	110	110	110	110	85	85	110	110	109	109	80	80	110	110	102	102	75	75	107	107	96	96	71	71	101	101	91	91	67	67	96	96	86	86	64	64												
D	0 to 3	Array Interior	137	129	116	116	99	99	137	123	109	109	92	92	137	118	102	102	86	86	137	112	96	96	81	81	136	106	90	90	76	76	131	100	85	85	72	72	126	95	81	81	68	68													
		Array Edge	137	111	95	95	80	80	134	103	88	88	75	75	128	97	83	83	70	70	123	91	78	78	66	66	118	86	73	73	62	62	112	81	69	69	59	59																			
	3 to 10	Array Interior	137	137	132	137	110	127	137	137	126	136	102	121	137	137	120	130	96	116	132	132	115	124	90	109	126	126	109	119	85	102	122	122	103	115	80	97	117	117	98	109	76	92													
		Array Edge	131	131	114	123	89	108	125	125	107	118	83	100	119	119	100	111	78	94	114	114	94	104	73	88	107	107	88	98	69	83	101	101	84	93	65	79	96	96	79	88	62	75													
	10 to 30	Array Interior	114	114	114	114	104	104	114	114	114	114	96	96	114	114	114	114	90	90	114	114	114	114	85	85	114	114	109	109	80	80	114	114	103	103	76	76	108	108	97	97	72	72													
		Array Edge	114	114	114	114	84	84	114	114	106	106	78	78	111	111	100	100	73	73	104	104	93	93	69	69	98	98	88	88	65	65	93	93	83	83	62	62	88	88	79	79	58	58													
45 psf	B	0 to 3	Array Interior	129	129	129	129	124	124	129	129	129	129	118	118	129	129	127	127	112	112	129	129	121	121	105	105	129	129	117	117	99	99	129	125	111	111	93	93	129	120	105	105	89	89												
			Array Edge	129	129	121	121	104	104	129	128	115	115	97	97	129	122	107	107	90	90	129	117	101	101	85	85	129	111	95	95	80	80	129	105	90	90	76	76	129	105	90	90	76	76												
		3 to 10	Array Interior	125	125	125	125	125	125	125	125	125	125	125	125	125	125	125	125	121	125	125	125	125	125	116	125	125	125	125	125	110	125	125	125	125	125	104	122	125	125	123	125	99	118												
			Array Edge	125	125	125	125	116	125	125	125	125	125	108	125	125	125	125	125	101	120	125	125	120	125	95	114	125	125	115	123	89	108	125	125	108	119	84	102																		
		10 to 30	Array Interior	105	105	105	105	105	105	105	105	105	105	105	105	105	105	105	105	105	105	105	105	105	105	105	105	105	105	105	105	104	104	105	105	105	105	98	98	105	105	105	105	93	93												
			Array Edge	105	105	105	105	105	105	105	105	105	105	102	102	105	105	105	105	95	105	105	105	105	105	89	89	105	105	105	105	84	84	105	105	105	105	80	80	105	105	103	103	76	76												
	C	0 to 3	Array Interior	129	129	124	124	108	108	129	129	118	118	100	100	129	125	111	111	94	94	129	120	104	104	88	88	129	115	98	98	83	83	129	109	93	93	79	79	128	103	88	88	75	75												
			Array Edge	129	119	104	104	87	87	129	113	96	96	81	81	129	105	90	90	76	76	128	99	85	85	72	72	125	93	80	80	68	68	120	88	76	76	64	64	116	84	72	72	61	61												
		3 to 10	Array Interior	125	125	125	125	118	125	125	125	125	125	112	125	125	125	125	125	104	123	125	125	122	125	98	117	125	125	118	125	92	112	125	125	112	122	87	106	125	125	106	118	83	100												
			Array Edge	125	125	122	125	97	117	125	125	116	125	90	109	125	125	109	119	85	102	121	121	102	114	80	96	116	116	96	107	75	91	111	111	91	101	71	86	105	105	86	96	67	81												
		10 to 30	Array Interior	105	105	105	105	105	105	105	105	105	105	105	105	105	105	105	105	98	98	105	105	105	105	93	93	105	105	105	105	87	87	105	105	105	105	83	83	105	105	105	105	78	78												
			Array Edge	105	105	105	105	92	92	105	105	105	105	85	85	105	105	105	105	80	80	105	105	102	102	75	75	105	105	96	96	71	71	101	101	91	91	67	67	96	96	86	86	64	64												
D	0 to 3	Array Interior	133	129	116	116	99	99	133	123	109	109	92	92	133	118	102	102	86	86	133	112	96	96	81	81	132	106	90	90	76	76	131	100	85	85	72	72	126	95	81	81	68	68													
		Array Edge	133	111	95	95	80	80	132	103	88	88	75	75	128	97	83	83	70	70	123	91	78	78	66	66	118	86	73	73	62	62	112	81	69	69	59	59																			
	3 to 10	Array Interior	134	134	132	134	110	127	134	134	126	134	102	121	134	134	120	130	96	116	132	132	115	124	90	109	126	126	109	119	85	102	122	122	103	115	80	97	117	117	98	109	76	92													
		Array Edge	131	131	114	123	89	108	125	125</																																															









Maximum Rail Spans (Inches)			K2 Systems X80 Flush-Mount Dual Rail, Enclosed Mono Slope Roof 0-30ft, 72 Cell(P) Rail Only																																												
Ground Snow Load	Exposure Category	Panel Angle	Wind Speed -> 140 mph						150 mph						160 mph						170 mph						180 mph						190 mph						200 mph								
			Roof Zone ->						1'	1	2'	2	3'	3	1'	1	2'	2	3'	3	1'	1	2'	2	3'	3	1'	1	2'	2	3'	3	1'	1	2'	2	3'	3	1'	1	2'	2	3'	3	1'	1	2'
0 psf	B	0 to 3	Array Interior	144	125	110	110	92	92	144	119	102	102	86	86	143	112	95	95	80	80	137	105	90	90	75	75	131	99	84	84	71	71	126	93	80	80	67	67	121	88	76	76	64	64		
			Array Edge	136	104	89	89	75	75	129	97	83	83	70	70	123	90	77	77	65	65	118	85	72	72	61	61	112	80	68	68	58	58	106	76	65	65	55	55	100	72	61	61	52	52		
		3 to 10	Array Interior	144	144	127	138	103	122	139	139	121	131	96	116	133	133	116	125	89	109	127	127	108	119	84	102	122	122	102	114	79	96	117	117	96	108	75	91	111	111	91	102	71	86		
			Array Edge	126	126	107	119	83	101	120	120	100	112	77	94	114	114	93	104	72	88	107	107	88	98	68	82	100	100	82	92	64	78	95	95	78	87	61	73	90	90	74	82	58	70		
		10 to 30	Array Interior	137	137	127	127	97	97	130	130	121	121	90	90	124	124	115	115	84	84	119	119	108	108	79	79	114	114	102	102	75	75	107	107	96	96	71	71	102	102	91	91	67	67		
			Array Edge	118	118	107	107	78	78	111	111	100	100	73	73	104	104	93	93	68	68	97	97	87	87	64	64	92	92	82	82	61	61	87	87	78	78	57	57	82	82	74	74	54	54		
	C	0 to 3	Array Interior	139	108	92	92	77	77	132	100	86	86	72	72	126	94	80	80	67	67	121	88	75	75	63	63	116	83	71	71	60	60	109	78	67	67	56	56	104	74	64	64	54	54		
			Array Edge	120	87	74	74	63	63	113	81	69	69	58	58	106	76	65	65	55	55	99	71	61	61	51	51	93	67	57	57	49	49	88	63	54	54	46	46	84	60	52	52	44	44		
		3 to 10	Array Interior	129	129	112	122	86	105	123	123	104	116	80	97	117	117	97	108	75	91	111	111	91	101	70	85	104	104	85	95	66	80	98	98	81	90	63	76	93	93	77	85	60	72		
			Array Edge	110	110	90	100	70	85	102	102	84	93	65	79	95	95	78	87	61	74	89	89	73	82	57	69	84	84	69	77	54	65	80	80	65	73	51	62	75	75	62	69	48	58		
		10 to 30	Array Interior	121	121	111	111	81	81	115	115	103	103	76	76	108	108	96	96	71	71	101	101	91	91	67	67	95	95	85	85	63	63	90	90	81	81	59	59	85	85	76	76	56	56		
			Array Edge	100	100	90	90	66	66	93	93	83	83	61	61	87	87	78	78	57	57	82	82	73	73	54	54	77	77	69	69	51	51	73	73	65	65	48	48	69	69	62	62	46	46		
D	0 to 3	Array Interior	131	99	84	84	71	71	124	92	78	78	66	66	119	86	73	73	62	62	113	81	69	69	58	58	106	76	65	65	55	55	100	72	61	61	52	52	95	68	58	58	49	49			
		Array Edge	112	80	68	68	58	58	104	74	64	64	54	54	97	69	59	59	50	50	91	65	56	56	47	47	86	62	53	53	44	44	81	58	50	50	42	42	77	55	47	47	40	40			
	3 to 10	Array Interior	121	121	102	114	79	96	116	116	95	106	74	89	108	108	89	99	69	83	101	101	83	93	65	78	95	95	78	87	61	74	90	90	74	82	58	70	85	85	70	78	55	66			
		Array Edge	100	100	82	92	64	77	93	93	77	85	60	72	87	87	72	80	56	67	82	82	67	75	52	63	77	77	63	71	49	60	73	73	60	67	47	57	69	69	57	63	44	54			
	10 to 30	Array Interior	113	113	102	102	74	74	105	105	94	94	69	69	98	98	88	88	65	65	92	92	83	83	61	61	87	87	78	78	58	58	82	82	74	74	54	54	78	78	70	70	52	52			
		Array Edge	92	92	82	82	60	60	85	85	77	77	56	56	80	80	72	72	53	53	75	75	67	67	50	50	71	71	63	63	47	47	67	67	60	60	44	44	63	63	57	57	42	42			
5 psf	B	0 to 3	Array Interior	139	125	110	110	92	92	139	119	102	102	86	86	139	112	95	95	80	80	137	105	90	90	75	75	131	99	84	84	71	71	126	93	80	80	67	67	121	88	76	76	64	64		
			Array Edge	136	104	89	89	75	75	129	97	83	83	70	70	123	90	77	77	65	65	118	85	72	72	61	61	112	80	68	68	58	58	106	76	65	65	55	55	100	72	61	61	52	52		
		3 to 10	Array Interior	140	140	127	138	103	122	139	139	121	131	96	116	133	133	116	125	89	109	127	127	108	119	84	102	122	122	102	114	79	96	117	117	96	108	75	91	111	111	91	102	71	86		
			Array Edge	126	126	107	119	83	101	120	120	100	112	77	94	114	114	93	104	72	88	107	107	88	98	68	82	100	100	82	92	64	78	95	95	78	87	61	73	90	90	74	82	58	70		
		10 to 30	Array Interior	133	133	127	127	97	97	130	130	121	121	90	90	124	124	115	115	84	84	119	119	108	108	79	79	114	114	102	102	75	75	107	107	96	96	71	71	102	102	91	91	67	67		
			Array Edge	118	118	107	107	78	78	111	111	100	100	73	73	104	104	93	93	68	68	97	97	87	87	64	64	92	92	82	82	61	61	87	87	78	78	57	57	82	82	74	74	54	54		
	C	0 to 3	Array Interior	139	108	92	92	77	77	132	100	86	86	72	72	126	94	80	80	67	67	121	88	75	75	63	63	116	83	71	71	60	60	109	78	67	67	56	56	104	74	64	64	54	54		
			Array Edge	120	87	74	74	63	63	113	81	69	69	58	58	106	76	65	65	55	55	99	71	61	61	51	51	93	67	57	57	49	49	88	63	54	54	46	46	84	60	52	52	44	44		
		3 to 10	Array Interior	129	129	112	122	86	105	123	123	104	116	80	97	117	117	97	108	75	91	111	111	91	101	70	85	104	104	85	95	66	80	98	98	81	90	63	76	93	93	77	85	60	72		
			Array Edge	110	110	90	100	70	85	102	102	84	93	65	79	95	95	78	87	61	74	89	89	73	82	57	69	84	84	69	77	54	65	80	80	65	73	51	62	75	75	62	69	48	58		
		10 to 30	Array Interior	121	121	111	111	81	81	115	115	103	103	76	76	108	108	96	96	71	71	101	101	91	91	67	67	95	95	85	85	63	63	90	90	81	81	59	59	85	85	76	76	56	56		
			Array Edge	100	100	90	90	66	66	93	93	83	83	61	61	87	87	78	78	57	57	82	82	73	73	54	54	77	77	69	69	51	51	73	73	65	65	48	48	69	69	62	62	46	46		
D	0 to 3	Array Interior	131	99	84	84	71	71	124	92	78	78	66	66	119	86	73	73	62	62	113	81	69	69	58	58	106	76	65	65	55	55	100	72	61	61	52	52	95	68	58	58	49	49			
		Array Edge	112	80	68	68	58	58	104	74	64	64	54	54	97	69	59	59	50	50	91	65	56	56	47	47	86	62	53	53	44	44	81	58	50	50	42	42	77	55	47	47	40	40			
	3 to 10	Array Interior	121	121	102	114	79	96	116	116	95	106	74	89	108	108	89	99	69	83	101	101	83	93	65	78	95	95	78	87	61	74	90	90	74	82	58	70	85	85	70	78	55	66			
		Array Edge	100	100	82	92	64	77	93	93	77	85	60	72	87	87	72	80	56	67	82	82	67	75	52	63	77	77	63	71	49	60	73	73	60	67	47	57	69	69	57	63	44	54			
	10 to 30	Array Interior	113	113	102	102	74	74	105	105	94	94	69	69	98	98	88	88	65	65	92	92	83	83	61	61	87	87	78	78	58	58	82	82	74	74	54	54	78	78	70	70	52	52			
		Array Edge	92	92	82	82	60	60	85	85	77	77	56	56	80	80	72	72	53	53	75	75	67	67	50	50	71	71	63	63	47	47	67	67	60	60	44	44	63	63	57	57	42	42			
10 psf	B																																														



Maximum Rail Spans (Inches)			K2 Systems X80 Flush-Mount Dual Rail, Enclosed Mono Slope Roof 0-30ft, 72 Cell(P) Rail Only																																											
Ground Snow Load	Exposure Category	Panel Angle	Wind Speed ->		140 mph						150 mph						160 mph						170 mph						180 mph						190 mph						200 mph					
			Roof Zone ->		1'	1	2'	2	3'	3	1'	1	2'	2	3'	3	1'	1	2'	2	3'	3	1'	1	2'	2	3'	3	1'	1	2'	2	3'	3	1'	1	2'	2	3'	3	1'	1	2'	2	3'	3
20 psf	B	0 to 3	Array Interior	109	109	109	109	92	92	109	109	102	102	86	86	109	109	95	95	80	80	109	105	90	90	75	75	109	99	84	84	71	71	109	93	80	80	67	67	109	88	76	76	64	64	
			Array Edge	109	104	89	89	75	75	109	97	83	83	70	70	109	90	77	77	65	65	109	85	72	72	61	61	109	80	68	68	58	58	106	76	65	65	55	55	100	72	61	61	52	52	
		3 to 10	Array Interior	110	110	110	110	103	110	110	110	110	110	96	110	110	110	110	89	109	110	110	108	110	84	102	110	110	102	110	79	96	110	110	96	108	75	91	110	110	91	102	71	86		
			Array Edge	110	110	107	110	83	101	110	110	100	110	77	94	110	110	93	104	72	88	107	107	88	98	68	82	100	100	82	92	64	78	95	95	78	87	61	73	90	90	74	82	58	70	
		10 to 30	Array Interior	108	108	108	108	97	97	108	108	108	108	90	90	108	108	108	108	84	84	108	108	108	108	79	79	108	108	102	102	75	75	107	107	96	96	71	71	102	102	91	91	67	67	
			Array Edge	108	108	107	107	78	78	108	108	100	100	73	73	104	104	93	93	68	68	97	97	87	87	64	64	92	92	82	82	61	61	87	87	78	78	57	57	82	82	74	74	54	54	
	C	0 to 3	Array Interior	109	108	92	92	77	77	109	100	86	86	72	72	109	94	80	80	67	67	109	88	75	75	63	63	109	83	71	71	60	60	109	78	67	67	56	56	104	74	64	64	54	54	
			Array Edge	109	87	74	74	63	63	109	81	69	69	58	58	106	76	65	65	55	55	99	71	61	61	51	51	93	67	57	57	49	49	88	63	54	54	46	46	84	60	52	52	44	44	
		3 to 10	Array Interior	110	110	110	110	86	105	110	110	104	110	80	97	110	110	97	108	75	91	110	110	91	101	70	85	104	104	85	95	66	80	98	98	81	90	63	76	93	93	77	85	60	72	
			Array Edge	110	110	90	100	70	85	102	102	84	93	65	79	95	95	78	87	61	74	89	89	73	82	57	69	84	84	69	77	54	65	80	80	65	73	51	62	75	75	62	69	48	58	
		10 to 30	Array Interior	108	108	108	108	81	81	108	108	103	103	76	76	108	108	96	96	71	71	101	101	91	91	67	67	95	95	85	85	63	63	90	90	81	81	59	59	85	85	76	76	56	56	
			Array Edge	100	100	90	90	66	66	93	93	83	83	61	61	87	87	78	78	57	57	82	82	73	73	54	54	77	77	69	69	51	51	73	73	65	65	48	48	69	69	62	62	46	46	
D	0 to 3	Array Interior	109	99	84	84	71	71	109	92	78	78	66	66	109	86	73	73	62	62	109	81	69	69	58	58	106	76	65	65	55	55	100	72	61	61	52	52	95	68	58	58	49	49		
		Array Edge	109	80	68	68	58	58	104	74	64	64	54	54	97	69	59	59	50	50	91	65	56	56	47	47	86	62	53	53	44	44	81	58	50	50	42	42	77	55	47	47	40	40		
	3 to 10	Array Interior	110	110	102	110	79	96	110	110	95	106	74	89	108	108	89	99	69	83	101	101	83	93	65	78	95	95	78	87	61	74	90	90	74	82	58	70	85	85	70	78	55	66		
		Array Edge	100	100	82	92	64	77	93	93	77	85	60	72	87	87	72	80	56	67	82	82	67	75	52	63	77	77	63	71	49	60	73	73	60	67	47	57	69	69	57	63	44	54		
	10 to 30	Array Interior	111	111	102	102	74	74	105	105	94	94	69	69	98	98	88	88	65	65	92	92	83	83	61	61	87	87	78	78	58	58	82	82	74	74	54	54	78	78	70	70	52	52		
		Array Edge	92	92	82	82	60	60	85	85	77	77	56	56	80	80	72	72	53	53	75	75	67	67	50	50	71	71	63	63	47	47	67	67	60	60	44	44	63	63	57	57	42	42		
25 psf	B	0 to 3	Array Interior	109	109	109	109	92	92	109	109	102	102	86	86	109	109	95	95	80	80	109	105	90	90	75	75	109	99	84	84	71	71	109	93	80	80	67	67	109	88	76	76	64	64	
			Array Edge	109	104	89	89	75	75	109	97	83	83	70	70	109	90	77	77	65	65	109	85	72	72	61	61	109	80	68	68	58	58	106	76	65	65	55	55	100	72	61	61	52	52	
		3 to 10	Array Interior	110	110	110	110	103	110	110	110	110	96	110	110	110	110	89	109	110	110	108	110	84	102	110	110	102	110	79	96	110	110	96	108	75	91	110	110	91	102	71	86			
			Array Edge	110	110	107	110	83	101	110	110	100	110	77	94	110	110	93	104	72	88	107	107	88	98	68	82	100	100	82	92	64	78	95	95	78	87	61	73	90	90	74	82	58	70	
		10 to 30	Array Interior	101	101	101	101	97	97	101	101	101	101	90	90	101	101	101	101	84	84	101	101	101	101	79	79	101	101	101	101	75	75	101	101	96	96	71	71	101	101	91	91	67	67	
			Array Edge	101	101	101	101	78	78	101	101	100	100	73	73	101	101	93	93	68	68	97	97	87	87	64	64	92	92	82	82	61	61	87	87	78	78	57	57	82	82	74	74	54	54	
	C	0 to 3	Array Interior	109	108	92	92	77	77	109	100	86	86	72	72	109	94	80	80	67	67	109	88	75	75	63	63	109	83	71	71	60	60	109	78	67	67	56	56	104	74	64	64	54	54	
			Array Edge	109	87	74	74	63	63	109	81	69	69	58	58	106	76	65	65	55	55	99	71	61	61	51	51	93	67	57	57	49	49	88	63	54	54	46	46	84	60	52	52	44	44	
		3 to 10	Array Interior	110	110	110	110	86	105	110	110	104	110	80	97	110	110	97	108	75	91	110	110	91	101	70	85	104	104	85	95	66	80	98	98	81	90	63	76	93	93	77	85	60	72	
			Array Edge	110	110	90	100	70	85	102	102	84	93	65	79	95	95	78	87	61	74	89	89	73	82	57	69	84	84	69	77	54	65	80	80	65	73	51	62	75	75	62	69	48	58	
		10 to 30	Array Interior	101	101	101	101	81	81	101	101	101	101	76	76	101	101	96	96	71	71	101	101	91	91	67	67	95	95	85	85	63	63	90	90	81	81	59	59	85	85	76	76	56	56	
			Array Edge	100	100	90	90	66	66	93	93	83	83	61	61	87	87	78	78	57	57	82	82	73	73	54	54	77	77	69	69	51	51	73	73	65	65	48	48	69	69	62	62	46	46	
D	0 to 3	Array Interior	109	99	84	84	71	71	109	92	78	78	66	66	109	86	73	73	62	62	109	81	69	69	58	58	106	76	65	65	55	55	100	72	61	61	52	52	95	68	58	58	49	49		
		Array Edge	109	80	68	68	58	58	104	74	64	64	54	54	97	69	59	59	50	50	91	65	56	56	47	47	86	62	53	53	44	44	81	58	50	50	42	42	77	55	47	47	40	40		
	3 to 10	Array Interior	110	110	102	110	79	96	110	110	95	106	74	89	108	108	89	99	69	83	101	101	83	93	65	78	95	95	78	87	61	74	90	90	74	82	58	70	85	85	70	78	55	66		
		Array Edge	100	100	82	92	64	77	93	93	77	85	60	72	87	87	72	80	56	67	82	82	67	75	52	63	77	77	63	71	49	60	73	73	60	67	47	57	69	69	57	63	44	54		
	10 to 30	Array Interior	104	104	102	102	74	74	104	104	94	94	69	69	98	98	88	88	65	65	92	92	83	83	61	61	87	87	78	78	58	58	82	82	74	74	54	54	78	78	70	70	52	52		
		Array Edge	92	92	82	82	60	60	85	85	77	77	56	56	80	80	72	72	53	53	75	75	67	67	50	50	71	71	63	63	47	47	67	67	60	60	44	44	63	63	57	57	42	42		
30 psf	B	0 to 3	Array Interior																																											



Maximum Rail Spans (Inches)			K2 Systems X80 Flush-Mount Dual Rail, Enclosed Mono Slope Roof 0-30ft, 72 Cell(P) Rail Only																																																							
Ground Snow Load	Exposure Category	Panel Angle	Wind Speed -> 140 mph						150 mph						160 mph						170 mph						180 mph						190 mph						200 mph																			
			Roof Zone ->						1'	1	2'	2	3'	3	1'	1	2'	2	3'	3	1'	1	2'	2	3'	3	1'	1	2'	2	3'	3	1'	1	2'	2	3'	3	1'	1	2'	2	3'	3	1'	1	2'	2	3'	3								
40 psf	B	0 to 3	Array Interior	98	98	98	98	92	92	98	98	98	98	86	86	98	98	95	95	80	80	98	98	90	90	75	75	98	98	84	84	71	71	98	93	80	80	67	67	98	88	76	76	64	64													
			Array Edge	98	98	89	89	75	75	98	97	83	83	70	70	98	90	77	77	65	65	98	85	72	72	61	61	98	80	68	68	58	58	98	76	65	65	55	55	96	72	61	61	52	52													
		3 to 10	Array Interior	99	99	99	99	99	99	99	99	99	99	99	96	96	99	99	99	99	89	89	99	99	99	99	84	84	99	99	99	99	79	79	99	99	96	96	99	96	99	96	99	99	75	75	99	90	91	91	71	71	86	86				
			Array Edge	99	99	99	99	83	83	99	99	99	99	77	77	94	99	99	93	93	72	72	88	99	88	98	68	68	99	99	82	82	64	64	78	95	99	82	82	92	64	78	95	95	78	87	61	61	90	90	94	82	58	70	81	81		
		10 to 30	Array Interior	88	88	88	88	88	88	88	88	88	88	88	88	88	88	88	88	88	84	84	88	88	88	88	79	79	88	88	88	88	75	75	88	88	82	82	61	61	88	88	88	88	71	71	88	88	88	88	67	67	67	67	54	54	64	64
			Array Edge	88	88	88	88	78	78	88	88	88	88	73	73	88	88	88	88	68	68	88	88	88	88	64	64	88	88	82	82	61	61	61	61	61	61	88	88	82	82	61	61	87	87	78	78	57	57	92	82	74	74	54	54	57	57	
	C	0 to 3	Array Interior	98	98	92	92	77	77	98	98	86	86	72	72	98	94	80	80	67	67	98	88	75	75	63	63	98	83	71	71	60	60	98	78	67	67	56	56	97	74	64	64	54	54	92	74	64	64	54	54							
			Array Edge	98	87	74	74	63	63	98	81	69	69	58	58	98	76	65	65	55	55	96	71	61	61	51	51	93	67	57	57	49	49	88	63	54	54	46	46	88	63	54	54	46	46	84	60	52	52	44	44	44	44					
		3 to 10	Array Interior	99	99	99	99	86	86	99	99	99	99	80	80	97	99	99	97	99	75	75	91	99	91	99	70	85	99	99	85	85	66	66	80	98	98	81	81	90	63	76	93	93	77	85	60	72	86	86								
			Array Edge	99	99	90	99	70	85	99	99	84	93	65	79	95	95	78	87	61	74	89	89	73	82	57	69	84	84	69	77	54	65	80	80	85	85	63	63	80	80	65	73	51	62	75	75	62	69	48	58	58	58					
		10 to 30	Array Interior	88	88	88	88	81	81	88	88	88	88	76	76	88	88	88	88	71	71	88	88	88	88	67	67	88	88	85	85	63	63	88	88	81	81	59	59	85	85	76	76	56	56	85	85	76	76	56	56							
			Array Edge	88	88	88	88	66	66	88	88	83	83	61	61	87	87	78	78	57	57	82	82	73	73	54	54	77	77	69	69	51	51	73	73	65	65	48	48	69	69	62	62	46	46	69	69	62	62	46	46							
D	0 to 3	Array Interior	102	99	84	84	71	71	102	92	78	78	66	66	102	86	73	73	62	62	102	81	69	69	58	58	101	76	65	65	55	55	100	72	61	61	52	52	95	68	58	58	49	49	95	68	58	58	49	49								
		Array Edge	102	80	68	68	58	58	101	74	64	64	54	54	97	69	59	59	50	50	91	65	56	56	47	47	86	62	53	53	44	44	81	58	50	50	42	42	77	55	47	47	40	40	40	40												
	3 to 10	Array Interior	103	103	102	103	79	96	103	103	95	103	74	89	103	103	89	99	69	83	101	101	83	93	65	78	95	95	78	87	61	74	90	90	74	82	58	70	85	85	70	78	55	66	72	72												
		Array Edge	100	100	82	92	64	77	93	93	77	85	60	72	87	87	72	80	56	67	82	82	67	75	52	63	77	77	63	71	49	60	73	73	60	67	47	57	69	69	57	63	44	54	54	54												
	10 to 30	Array Interior	91	91	91	91	74	74	91	91	91	91	69	69	91	91	88	88	65	65	91	91	83	83	61	61	87	87	78	78	58	58	82	82	74	74	54	54	78	78	70	70	52	52	78	78	70	70	52	52								
		Array Edge	91	91	82	82	60	60	91	85	77	77	56	56	80	80	72	72	53	53	75	75	67	67	50	50	71	71	63	63	47	47	67	67	60	60	44	44	63	63	57	57	42	42	42	42												
45 psf	B	0 to 3	Array Interior	94	94	94	94	92	92	94	94	94	94	86	86	94	94	94	80	80	94	94	90	90	75	75	94	94	84	84	71	71	94	93	80	80	67	67	94	88	76	76	64	64														
			Array Edge	94	94	89	89	75	75	94	94	83	83	70	70	94	90	77	77	65	65	94	85	72	72	61	61	94	80	68	68	58	58	94	76	65	65	55	55	93	72	61	61	52	52													
		3 to 10	Array Interior	95	95	95	95	95	95	95	95	95	95	95	95	95	95	95	95	95	95	95	95	95	95	84	84	95	95	95	95	79	79	95	95	95	95	75	91	95	95	95	95	75	91	95	95	91	95	71	86	86						
			Array Edge	95	95	95	95	83	95	95	95	95	95	77	94	95	95	93	95	72	88	95	95	88	95	68	82	95	95	82	82	64	78	95	95	78	87	61	73	90	90	74	82	58	70	81	81											
		10 to 30	Array Interior	85	85	85	85	85	85	85	85	85	85	85	85	85	85	85	85	84	84	85	85	85	85	79	79	85	85	85	85	75	75	85	85	85	85	71	71	85	85	85	85	67	67	85	85	85	85	67	67							
			Array Edge	85	85	85	85	78	78	85	85	85	85	73	73	85	85	85	85	68	68	85	85	85	85	64	64	85	85	82	82	61	61	85	85	78	78	57	57	82	82	74	74	54	54	54	54											
	C	0 to 3	Array Interior	94	94	92	92	77	77	94	94	86	86	72	72	94	94	80	80	67	67	94	88	75	75	63	63	94	83	71	71	60	60	94	78	67	67	56	56	93	74	64	64	54	54	92	74	64	64	54	54							
			Array Edge	94	87	74	74	63	63	94	81	69	69	58	58	94	76	65	65	55	55	92	71	61	61	51	51	91	67	57	57	49	49	88	63	54	54	46	46	84	60	52	52	44	44	44	44											
		3 to 10	Array Interior	95	95	95	95	86	86	95	95	95	95	80	80	95	95	95	95	75	75	95	95	91	95	70	85	95	95	85	85	66	66	80	95	95	81	81	90	63	76	93	93	77	85	60	72	86	86									
			Array Edge	95	95	90	95	70	85	95	95	84	93	65	79	95	95	78	87	61	74	89	89	73	82	57	69	84	84	69	77	54	65	80	80	65	73	51	62	75	75	62	69	48	58	58	58											
		10 to 30	Array Interior	85	85	85	85	81	81	85	85	85	85	76	76	85	85	85	85	71	71	85	85	85	85	67	67	85	85	85	85	63	63	85	85	81	81	59	59	85	85	76	76	56	56	85	85	76	76	56	56							
			Array Edge	85	85	85	85	66	66	85	85	83	83	61	61	85	85	78	78	57	57	82	82	73	73	54	54	77	77	69	69	51	51	73	73	65	65	48	48	69	69	62	62	46	46	69	69	62	62	46	46							
D	0 to 3	Array Interior	98	98	84	84	71	71	98	92	78	78	66	66	98	86	73	73	62	62	98	81	69	69	58	58	91	65	56	56	47	47	86	62	53	53	44	44	81	58	50	50	42	42	77	55	47	47	40	40								
		Array Edge	98	80	68	68	58	58	97	74	64	64	54	54	95	69	59	59	50	50	91	65	56	56	47	47	86	62	53	53	44	44	81	58	50	50	42	42	77	55	47	47	40	40	40	40												
	3 to 10	Array Interior	99	99	99	99	79	96	99	99	95	99	74	89	99	99	89	99	69	83	99	99	83	93	65	78	95	95	78	87	61	74	90	90	74	82	58	70	85	85	70	78	55	66	72	72												
		Array Edge	99	99	82	92	64	77	93	93	77	85	60	72	87	87	72	80	56	67	82	82	67	75	52	63	77	77	63	71	49	60																										





Maximum Rail Spans (Inches)			K2 Systems X80 Flush-Mount Dual Rail, Enclosed Mono Slope Roof 30-60ft, 72 Cell(L) Rail Only																																																						
Ground Snow Load	Exposure Category	Panel Angle	Wind Speed ->																																																						
			95 mph						100 mph						105 mph						110 mph						115 mph						120 mph						130 mph																		
			Roof Zone ->						Roof Zone ->						Roof Zone ->						Roof Zone ->						Roof Zone ->						Roof Zone ->																								
1'	1	2'	2	3'	3	1'	1	2'	2	3'	3	1'	1	2'	2	3'	3	1'	1	2'	2	3'	3	1'	1	2'	2	3'	3	1'	1	2'	2	3'	3	1'	1	2'	2	3'	3																
0 psf	B	0 to 3	Array Interior	180	180	172	172	152	152	180	180	166	166	147	147	180	179	160	160	142	142	180	173	154	154	137	137	180	167	149	149	133	133	180	162	145	145	129	129	180	153	137	137	122	122	180	153	137	137	122	122	180	153	137	137	122	122
			Array Edge	180	166	148	148	132	132	180	159	143	143	127	127	180	154	138	138	123	123	180	149	133	133	119	119	180	144	129	129	115	115	176	140	126	126	110	110	166	132	119	119	101	101	166	132	119	119	101	101						
		3 to 10	Array Interior	180	180	180	180	164	180	180	180	180	160	158	180	180	180	180	153	175	180	180	177	180	148	169	180	180	171	180	143	163	180	180	165	179	139	158	179	179	156	168	131	149	179	179	156	168	131	149							
			Array Edge	180	180	169	180	142	162	180	180	163	176	137	156	180	180	157	170	132	151	175	175	152	164	128	146	169	169	169	147	159	124	141	164	164	143	154	120	137	154	154	135	145	113	129	154	154	135	145	113	129					
		10 to 30	Array Interior	177	177	177	177	157	157	177	177	177	177	151	151	177	177	177	177	146	146	177	177	176	176	142	142	177	177	170	170	137	137	177	177	165	165	133	133	168	168	155	155	126	126	168	168	155	155	126	126						
			Array Edge	177	177	168	168	136	136	175	175	162	162	131	131	169	169	157	157	127	127	163	163	151	151	123	123	158	158	147	147	119	119	153	153	142	142	116	116	145	145	134	134	106	106	145	145	134	134	106	106						
	C	0 to 3	Array Interior	180	173	154	154	137	137	180	166	149	149	132	132	180	160	144	144	128	128	180	155	139	139	124	124	180	150	135	135	120	120	180	145	131	131	116	116	173	137	123	123	107	107	173	137	123	123	107	107						
			Array Edge	180	149	133	133	119	119	180	143	129	129	114	114	175	138	124	124	109	109	169	134	120	120	104	104	163	130	117	117	99	99	158	126	112	112	95	95	149	119	103	103	87	87	149	119	103	103	87	87						
		3 to 10	Array Interior	180	180	177	180	148	169	180	180	170	180	142	163	180	180	164	177	137	157	180	180	158	171	133	152	176	176	153	165	129	147	170	170	149	160	125	142	161	161	140	151	118	135	161	161	140	151	118	135						
			Array Edge	174	174	152	164	128	146	168	168	146	158	123	140	162	162	141	152	119	136	157	157	137	147	115	131	152	152	133	143	110	127	147	147	129	138	105	123	139	139	122	131	97	117	139	139	122	131	97	117						
		10 to 30	Array Interior	177	177	176	176	142	142	177	177	169	169	136	136	176	176	163	163	132	132	170	170	158	158	128	128	165	165	153	153	124	124	167	167	148	148	120	120	151	151	140	140	113	113	151	151	140	140	113	113						
			Array Edge	163	163	151	151	123	123	157	157	146	146	118	118	150	152	141	141	114	114	147	147	136	136	109	109	142	142	132	132	104	104	138	138	128	128	99	99	130	130	121	121	92	92	130	130	121	121	92	92						
D	0 to 3	Array Interior	180	164	147	147	130	130	180	158	141	141	126	126	180	152	137	137	122	122	180	147	132	132	118	118	180	143	128	128	114	114	175	138	124	124	109	109	164	131	118	118	100	100	164	131	118	118	100	100							
		Array Edge	179	141	127	127	112	112	172	136	123	123	106	106	166	132	118	118	101	101	160	127	114	114	96	96	155	124	109	109	92	92	150	120	104	104	88	88	142	113	96	96	81	81	142	113	96	96	81	81							
	3 to 10	Array Interior	180	180	168	180	140	160	180	180	161	174	135	154	179	179	156	168	131	149	173	173	150	162	127	144	167	167	146	157	123	140	162	162	141	152	119	136	153	153	134	144	111	128	153	153	134	144	111	128							
		Array Edge	166	166	144	156	122	139	159	159	139	150	117	134	154	154	135	145	113	129	149	149	130	140	107	125	144	144	126	136	102	121	140	140	122	132	98	118	132	132	116	125	90	109	132	132	116	125	90	109							
	10 to 30	Array Interior	177	177	167	167	135	135	173	173	161	161	130	130	167	167	155	155	126	126	162	162	150	150	122	122	157	157	145	145	118	118	152	152	141	141	114	114	143	143	133	133	105	105	143	143	133	133	105	105							
		Array Edge	155	155	144	144	117	117	150	150	139	139	112	112	144	144	134	134	106	106	147	147	134	134	101	101	135	135	126	126	97	97	131	131	122	122	93	93	124	124	116	116	85	85	124	124	116	116	85	85							
5 psf	B	0 to 3	Array Interior	174	174	172	172	152	152	174	174	166	166	147	147	174	174	160	160	142	142	174	173	154	154	137	137	174	167	149	149	133	133	174	162	145	145	129	129	174	153	137	137	122	122	174	153	137	137	122	122						
			Array Edge	174	166	148	148	132	132	174	159	143	143	127	127	174	154	138	138	123	123	174	149	133	133	119	119	174	144	129	129	115	115	174	140	126	126	110	110	166	132	119	119	101	101	166	132	119	119	101	101						
		3 to 10	Array Interior	174	174	174	174	164	174	174	174	174	174	158	174	174	174	174	153	174	174	174	174	148	169	174	174	171	174	143	163	174	174	165	174	139	158	174	174	156	168	131	149	174	174	156	168	131	149								
			Array Edge	174	174	169	174	142	162	174	174	163	174	137	156	174	174	157	170	132	151	174	174	152	164	128	146	169	169	147	159	124	141	164	164	143	154	120	137	154	154	135	145	113	129	154	154	135	145	113	129						
		10 to 30	Array Interior	166	166	166	166	157	157	166	166	166	166	151	151	166	166	166	166	146	146	166	166	166	166	142	142	166	166	166	166	137	137	166	166	165	165	133	133	166	166	155	155	126	126	166	166	155	155	126	126						
			Array Edge	166	166	166	166	136	136	166	166	162	162	131	131	166	166	157	157	127	127	163	163	151	151	123	123	158	158	147	147	119	119	153	153	142	142	116	116	145	145	134	134	106	106	145	145	134	134	106	106						
	C	0 to 3	Array Interior	174	173	154	154	137	137	174	166	149	149	132	132	174	160	144	144	128	128	174	155	139	139	124	124	174	150	135	135	120	120	174	145	131	131	116	116	173	137	123	123	107	107	173	137	123	123	107	107						
			Array Edge	174	149	133	133	119	119	174	143	129	129	114	114	174	138	124	124	109	109	169	134	120	120	104	104	163	130	117	117	99	99	158	126	112	112	95	95	149	119	103	103	87	87	149	119	103	103	87	87						
		3 to 10	Array Interior	174	174	174	174	148	169	174	174	170	174	142	163	174	174	164	174	137	157	174	174	158	171	133	152	174	174	153	165	129	147	170	170	149	160	125	142	161	161	140	151	118	135	161	161	140	151	118	135						
			Array Edge	174	174	152	164	128	146	168	168	146	158	123	140	162	162	141	152	119	136	157	157	137	147	115	131	152	152	133	143	110	127	147	147	129	138	105	123	139	139	122	131	97	117	139	139	122	131	97	117						
		10 to 30	Array Interior	166	166	166	166	142	142	166	166	166	166	136	136	166	166	163	163	132	132	166	166	158	158	128	128	162	162	153	153	124	124	160	160	148	148	120	120	151	151																



Maximum Rail Spans (Inches)			K2 Systems X80 Flush-Mount Dual Rail, Enclosed Mono Slope Roof 30-60ft, 72 Cell(L) Rail Only																																																
Ground Snow Load	Exposure Category	Panel Angle	Wind Speed ->																																																
			140 mph						150 mph						160 mph						170 mph						180 mph						190 mph						200 mph												
			Roof Zone ->																																																
			1'	1	2'	2	3'	3	1'	1	2'	2	3'	3	1'	1	2'	2	3'	3	1'	1	2'	2	3'	3	1'	1	2'	2	3'	3	1'	1	2'	2	3'	3	1'	1	2'	2	3'	3							
0 psf	B	0 to 3	Array Interior	180	145	130	130	116	116	174	138	124	124	108	108	165	132	118	118	101	101	158	126	112	112	95	95	152	121	106	106	89	89	146	117	100	100	85	85	141	111	95	95	80	80	136	106	91	91	77	77
		Array Edge	157	125	111	111	94	94	150	119	104	104	88	88	143	114	97	97	82	82	137	107	91	91	77	77	131	100	86	86	73	73	126	95	81	81	69	69	122	90	77	77	65	65							
		3 to 10	Array Interior	170	170	148	159	124	142	161	161	141	152	119	135	154	154	134	145	112	129	147	147	129	139	105	123	141	141	124	133	99	119	136	136	119	128	94	114	131	131	115	123	89	108	127	127	110	120	85	103
	Array Edge	146	146	128	138	105	123	139	139	122	131	97	117	133	133	117	125	91	110	127	127	110	120	86	103	122	122	104	115	81	98	118	118	98	109	76	92	113	113	93	103	72	87								
	10 to 30	Array Interior	159	159	147	147	120	120	151	151	140	140	113	113	144	144	134	134	106	106	138	138	128	128	100	100	133	133	123	123	94	94	128	128	119	119	89	89	123	123	114	114	84	84	118	118	103	103	76	76	
	Array Edge	137	137	128	128	99	99	131	131	122	122	92	92	125	125	116	116	86	86	120	120	110	110	81	81	115	115	103	103	76	76	109	109	98	98	72	72	103	103	93	93	68	68								
	C	0 to 3	Array Interior	164	130	117	117	100	100	156	124	110	110	93	93	149	119	103	103	87	87	142	113	97	97	82	82	137	106	91	91	77	77	131	101	86	86	73	73	127	95	82	82	69	69						
		Array Edge	141	112	96	96	81	81	135	104	89	89	75	75	129	97	83	83	70	70	123	92	78	78	66	66	118	86	74	74	62	62	113	82	70	70	59	59													
		3 to 10	Array Interior	152	152	133	143	111	128	145	145	127	136	103	122	138	138	121	130	97	116	132	132	116	125	91	110	127	127	110	120	85	103	122	122	104	116	81	98	118	118	98	110	77	93						
	Array Edge	132	132	115	124	90	109	125	125	108	118	84	101	120	120	101	112	78	95	115	115	94	105	74	89	108	108	89	99	69	84	102	102	84	94	66	79	97	97	80	89	62	75								
	10 to 30	Array Interior	143	143	133	133	105	105	136	136	127	127	97	97	130	130	121	121	91	91	125	125	116	116	86	86	120	120	110	110	81	81	115	115	104	104	76	76	109	109	98	98	73	73							
	Array Edge	124	124	115	115	85	85	118	118	107	107	79	79	112	112	100	100	74	74	105	105	94	94	70	70	99	99	89	89	66	66	94	94	84	84	62	62	89	89	80	80	59	59								
D	0 to 3	Array Interior	156	124	110	110	93	93	148	118	102	102	86	86	141	112	96	96	81	81	135	105	90	90	76	76	130	99	85	85	72	72	125	94	80	80	68	68	121	89	76	76	64	64							
	Array Edge	135	104	89	89	75	75	128	97	83	83	70	70	122	91	78	78	66	66	117	85	73	73	62	62	112	80	69	69	58	58	106	76	65	65	55	55														
	3 to 10	Array Interior	145	145	127	136	103	122	138	138	121	130	96	116	132	132	115	124	90	109	126	126	108	119	84	102	121	121	102	114	80	96	117	117	97	108	75	91	111	111	92	102	71	86							
Array Edge	125	125	107	118	84	101	119	119	100	111	78	94	114	114	94	104	73	88	107	107	88	98	69	83	101	101	83	92	65	78	95	95	78	87	61	74	90	90	74	83	58	70									
10 to 30	Array Interior	136	136	126	126	97	97	130	130	121	121	91	91	124	124	115	115	85	85	119	119	108	108	80	80	114	114	102	102	75	75	107	107	96	96	71	71	102	102	92	92	68	68								
Array Edge	118	118	107	107	79	79	111	111	100	100	74	74	104	104	93	93	69	69	98	98	88	88	65	65	92	92	83	83	61	61	87	87	78	78	58	58	83	83	74	74	55	55									
5 psf	B	0 to 3	Array Interior	174	145	130	130	116	116	174	138	124	124	108	108	165	132	118	118	101	101	158	126	112	112	95	95	152	121	106	106	89	89	146	117	100	100	85	85	141	111	95	95	80	80	136	106	91	91	77	77
		Array Edge	157	125	111	111	94	94	150	119	104	104	88	88	143	114	97	97	82	82	137	107	91	91	77	77	131	100	86	86	73	73	126	95	81	81	69	69	122	90	77	77	65	65							
		3 to 10	Array Interior	170	170	148	159	124	142	161	161	141	152	119	135	154	154	134	145	112	129	147	147	129	139	105	123	141	141	124	133	99	119	136	136	119	128	94	114	131	131	115	123	89	108	127	127	110	120	85	103
	Array Edge	146	146	128	138	105	123	139	139	122	131	97	117	133	133	117	125	91	110	127	127	110	120	86	103	122	122	104	115	81	98	118	118	98	109	76	92	113	113	93	103	72	87								
	10 to 30	Array Interior	159	159	147	147	120	120	151	151	140	140	113	113	144	144	134	134	106	106	138	138	128	128	100	100	133	133	123	123	94	94	128	128	119	119	89	89	123	123	114	114	84	84							
	Array Edge	137	137	128	128	99	99	131	131	122	122	92	92	125	125	116	116	86	86	120	120	110	110	81	81	115	115	103	103	76	76	109	109	98	98	72	72	103	103	93	93	68	68								
	C	0 to 3	Array Interior	164	130	117	117	100	100	156	124	110	110	93	93	149	119	103	103	87	87	142	113	97	97	82	82	137	106	91	91	77	77	131	101	86	86	73	73	127	95	82	82	69	69						
		Array Edge	141	112	96	96	81	81	135	104	89	89	75	75	129	97	83	83	70	70	123	92	78	78	66	66	118	86	74	74	62	62	113	82	70	70	59	59													
		3 to 10	Array Interior	152	152	133	143	111	128	145	145	127	136	103	122	138	138	121	130	97	116	132	132	116	125	91	110	127	127	110	120	85	103	122	122	104	116	81	98	118	118	98	110	77	93						
	Array Edge	132	132	115	124	90	109	125	125	108	118	84	101	120	120	101	112	78	95	115	115	94	105	74	89	108	108	89	99	69	84	102	102	84	94	66	79	97	97	80	89	62	75								
	10 to 30	Array Interior	143	143	133	133	105	105	136	136	127	127	97	97	130	130	121	121	91	91	125	125	116	116	86	86	120	120	110	110	81	81	115	115	104	104	76	76	109	109	98	98	73	73							
	Array Edge	124	124	115	115	85	85	118	118	107	107	79	79	112	112	100	100	74	74	105	105	94	94	70	70	99	99	89	89	66	66	94	94	84	84	62	62	89	89	80	80	59	59								
D	0 to 3	Array Interior	156	124	110	110	93	93	148	118	102	102	86	86	141	112	96	96	81	81	135	105	90	90	76	76	130	99	85	85	72	72	125	94	80	80	68	68	121	89	76	76	64	64							
	Array Edge	135	104	89	89	75	75	128	97	83	83	70	70	122	91	78	78	66	66	117	85	73	73	62	62	112	80	69	69	58	58	106	76	65	65	55	55														
	3 to 10	Array Interior	145	145	127	136	103	122	138	138	121	130	96	116	132	132	115	124	90	109	126	126	108	119	84	102	121	121	102	114	80	96	117	117	97	108	75	91	111	111	92	102	71	86							
Array Edge	125	125	107	118	84	101	119	119	100	111	78	94	114	114	94	104	73	88	107	107	88	98	69	83	101	101	83	92	65	78	95	95	78	87	61	74															



Maximum Rail Spans (Inches)			K2 Systems X80 Flush-Mount Dual Rail, Enclosed Mono Slope Roof 30-60ft, 72 Cell(L) Rail Only																																																
Ground Snow Load	Exposure Category	Panel Angle	Wind Speed -> 140 mph						150 mph						160 mph						170 mph						180 mph						190 mph						200 mph												
			Roof Zone ->																																																
			1'	1	2'	2	3'	3	1'	1	2'	2	3'	3	1'	1	2'	2	3'	3	1'	1	2'	2	3'	3	1'	1	2'	2	3'	3	1'	1	2'	2	3'	3	1'	1	2'	2	3'	3	1'	1	2'	2	3'	3	
20 psf	B	0 to 3	Array Interior	143	143	130	130	116	116	143	138	124	124	108	108	143	132	118	118	101	101	143	126	112	112	95	95	143	121	106	106	89	89	143	117	100	100	85	85	141	111	95	95	80	80						
			Array Edge	143	125	111	111	94	94	143	119	104	104	88	88	143	114	97	97	82	82	137	107	91	91	77	77	131	100	86	86	73	73	126	95	81	81	69	69	122	90	77	77	65	65						
		3 to 10	Array Interior	143	143	143	143	124	124	143	143	141	141	139	135	143	143	134	134	112	112	143	143	129	139	105	103	141	141	124	133	99	119	136	136	119	128	94	114	131	131	115	123	89	108						
			Array Edge	143	143	128	138	105	123	139	139	122	131	97	117	133	133	117	125	91	110	127	127	110	120	86	103	122	122	104	115	81	98	118	118	98	109	76	92	113	113	93	103	72	87						
		10 to 30	Array Interior	134	134	134	134	120	120	134	134	134	134	113	113	134	134	134	134	106	106	134	134	128	128	100	100	133	133	123	123	94	94	128	128	119	119	89	89	123	123	114	114	84	84						
			Array Edge	134	134	128	128	99	99	131	131	122	122	92	92	125	125	116	116	86	86	130	120	110	110	81	81	115	115	103	103	76	76	109	109	98	98	72	72	103	103	93	93	68	68						
	C	0 to 3	Array Interior	143	130	117	117	100	100	143	124	110	110	93	93	143	119	103	103	87	87	142	113	97	97	82	82	137	106	91	91	77	77	131	101	86	86	73	73	127	95	82	82	69	69						
			Array Edge	141	112	96	96	81	81	135	104	89	89	75	75	129	97	83	83	70	70	123	92	78	78	66	66	118	86	74	74	62	62	113	82	70	70	59	59	108	78	66	66	56	56						
		3 to 10	Array Interior	143	143	133	143	111	128	143	143	127	136	103	122	138	138	121	130	96	116	132	132	115	124	90	109	126	126	108	119	84	102	121	121	102	114	80	96	117	117	97	108	75	91	111	111	92	102	71	86
			Array Edge	132	132	115	124	90	109	125	125	108	118	84	101	120	120	101	112	78	95	115	115	94	105	74	89	108	108	89	99	69	84	102	102	84	94	66	79	97	97	80	89	62	75						
		10 to 30	Array Interior	134	134	133	133	105	105	134	134	127	127	97	97	130	130	121	121	91	91	125	125	116	116	86	86	128	120	110	110	81	81	115	115	104	104	76	76	109	109	98	98	73	73						
			Array Edge	124	124	115	115	85	85	118	118	107	107	79	79	112	112	100	100	74	74	105	105	94	94	70	70	99	99	89	89	66	66	94	94	84	84	62	62	89	89	80	80	59	59						
D	0 to 3	Array Interior	143	124	110	110	93	93	143	118	102	102	86	86	141	112	96	96	81	81	135	105	90	90	76	76	130	99	85	85	72	72	125	94	80	80	68	68	121	89	76	76	64	64							
		Array Edge	135	104	89	89	75	75	128	97	83	83	70	70	122	91	78	78	66	66	117	85	73	73	62	62	112	80	69	69	58	58	106	76	65	65	55	55	100	72	62	62	52	52							
	3 to 10	Array Interior	143	143	127	136	103	122	138	138	121	130	96	116	132	132	115	124	90	109	126	126	108	119	84	102	121	121	102	114	80	96	117	117	97	108	75	91	111	111	92	102	71	86							
		Array Edge	125	125	107	118	84	101	119	119	100	111	78	94	114	114	94	104	73	88	107	107	88	98	69	83	101	101	83	92	65	78	95	95	78	87	61	74	90	90	74	83	58	70							
	10 to 30	Array Interior	136	136	126	126	97	97	130	130	121	121	91	91	124	124	115	115	85	85	119	119	108	108	80	80	114	114	102	102	75	75	107	107	96	96	71	71	102	102	92	92	68	68							
		Array Edge	118	118	107	107	79	79	111	111	100	100	74	74	104	104	93	93	69	69	98	98	88	88	65	65	92	92	83	83	61	61	87	87	78	78	58	58	83	83	74	74	55	55							
25 psf	B	0 to 3	Array Interior	143	143	130	130	116	116	143	138	124	124	108	108	143	132	118	118	101	101	143	126	112	112	95	95	143	121	106	106	89	89	143	117	100	100	85	85	141	111	95	95	80	80						
			Array Edge	143	125	111	111	94	94	143	119	104	104	88	88	143	114	97	97	82	82	137	107	91	91	77	77	131	100	86	86	73	73	126	95	81	81	69	69	122	90	77	77	65	65						
		3 to 10	Array Interior	143	143	143	143	124	124	143	143	141	141	139	135	143	143	134	134	112	112	143	143	129	139	105	103	141	141	124	133	99	119	136	136	119	128	94	114	131	131	115	123	89	108						
			Array Edge	143	143	128	138	105	123	139	139	122	131	97	117	133	133	117	125	91	110	127	127	110	120	86	103	122	122	104	115	81	98	118	118	98	109	76	92	113	113	93	103	72	87						
		10 to 30	Array Interior	126	126	126	126	120	120	126	126	126	126	113	113	126	126	126	126	106	106	126	126	126	126	100	100	126	126	123	123	94	94	126	126	119	119	89	89	123	123	114	114	84	84						
			Array Edge	126	126	126	126	99	99	126	126	122	122	92	92	125	125	116	116	86	86	120	120	110	110	81	81	115	115	103	103	76	76	109	109	98	98	72	72	103	103	93	93	68	68						
	C	0 to 3	Array Interior	143	130	117	117	100	100	143	124	110	110	93	93	143	119	103	103	87	87	142	113	97	97	82	82	137	106	91	91	77	77	131	101	86	86	73	73	127	95	82	82	69	69						
			Array Edge	141	112	96	96	81	81	135	104	89	89	75	75	129	97	83	83	70	70	123	92	78	78	66	66	118	86	74	74	62	62	113	82	70	70	59	59	108	78	66	66	56	56						
		3 to 10	Array Interior	143	143	133	143	111	128	143	143	127	136	103	122	138	138	121	130	96	116	132	132	115	124	90	110	126	126	108	119	84	102	121	121	102	114	80	96	117	117	97	108	75	91	111	111	92	102	71	86
			Array Edge	132	132	115	124	90	109	125	125	108	118	84	101	120	120	101	112	78	95	115	115	94	105	74	89	108	108	89	99	69	84	102	102	84	94	66	79	97	97	80	89	62	75						
		10 to 30	Array Interior	126	126	126	126	105	105	126	126	126	126	97	97	126	126	121	121	91	91	125	125	116	116	86	86	120	120	110	110	81	81	115	115	104	104	76	76	109	109	98	98	73	73						
			Array Edge	124	124	115	115	85	85	118	118	107	107	79	79	112	112	100	100	74	74	105	105	94	94	70	70	99	99	89	89	66	66	94	94	84	84	62	62	89	89	80	80	59	59						
D	0 to 3	Array Interior	143	124	110	110	93	93	143	118	102	102	86	86	141	112	96	96	81	81	135	105	90	90	76	76	130	99	85	85	72	72	125	94	80	80	68	68	121	89	76	76	64	64							
		Array Edge	135	104	89	89	75	75	128	97	83	83	70	70	122	91	78	78	66	66	117	85	73	73	62	62	112	80	69	69	58	58	106	76	65	65	55	55	100	72	62	62	52	52							
	3 to 10	Array Interior	143	143	127	136	103	122	138	138	121	130	96	116	132	132	115	124	90	109	126	126	108	119	84	102	121	121	102	114	80	96	117	117	97	108	75	91	111	111	92	102	71	86							
		Array Edge	125	125	107	118	84	101	119	119	100	111	78	94	114	114	94	104	73	88	107	107	88	98	69	83	101	101	83	92	65	78	95	95	78	87	61	74	90	90	74	83	58	70							
	10 to 30	Array Interior	124	124	124	124																																													

Maximum Rail Spans (Inches)			K2 Systems X80 Flush-Mount Dual Rail, Enclosed Mono Slope Roof 30-60ft, 72 Cell(L) Rail Only																																										
Ground Snow Load	Exposure Category	Panel Angle	Wind Speed -> 95 mph						100 mph						105 mph						110 mph						115 mph						120 mph						130 mph						
			Roof Zone ->						1'	1'	2'	2'	3'	3'	1'	1'	2'	2'	3'	3'	1'	1'	2'	2'	3'	3'	1'	1'	2'	2'	3'	3'	1'	1'	2'	2'	3'	3'	1'	1'	2'	2'	3'	3'	
40 psf	B	0 to 3	Array Interior	133	133	133	133	133	133	133	133	133	133	133	133	133	133	133	133	133	133	133	133	133	133	133	133	133	133	133	133	133	133	133	133	133	133	133	133	133	133	133	133	133	133
		Array Edge	133	133	133	133	132	132	133	133	133	133	127	127	133	133	133	133	123	123	133	133	133	133	119	119	133	133	129	129	115	115	133	133	126	126	110	110							
		3 to 10	Array Interior	134	134	134	134	134	134	134	134	134	134	134	134	134	134	134	134	134	134	134	134	134	134	134	134	134	134	134	134	134	134	134	134	134	134	134	134	134	134	134	134	134	134
	Array Edge	134	134	134	134	134	134	134	134	134	134	134	134	134	134	134	134	132	134	134	134	134	134	128	134	134	134	134	134	124	134	134	134	134	134	124	134	134	134	134	134	124	134		
	10 to 30	Array Interior	110	110	110	110	110	110	110	110	110	110	110	110	110	110	110	110	110	110	110	110	110	110	110	110	110	110	110	110	110	110	110	110	110	110	110	110	110	110	110	110	110	110	
	Array Edge	110	110	110	110	110	110	110	110	110	110	110	110	110	110	110	110	110	110	110	110	110	110	110	110	110	110	110	110	110	110	110	110	110	110	110	110	110	110	110	110	110	110		
	C	0 to 3	Array Interior	133	133	133	133	133	133	133	133	133	133	132	132	133	133	133	133	128	128	133	133	133	133	124	124	133	133	133	133	120	120	133	133	131	131	116	116	133	133	123	123	107	107
		Array Edge	133	133	133	133	119	119	133	133	129	129	114	114	133	133	124	124	109	109	133	133	120	120	104	104	133	130	117	117	99	99	133	126	112	112	95	95	133	119	103	103	87	87	
		3 to 10	Array Interior	134	134	134	134	134	134	134	134	134	134	134	134	134	134	134	134	134	134	134	134	134	134	133	134	134	134	134	134	129	134	134	134	134	134	125	134	134	134	134	134	118	134
	Array Edge	134	134	134	134	128	134	134	134	134	134	123	134	134	134	134	134	119	134	134	134	134	134	115	131	134	134	133	134	110	127	134	134	129	134	105	123	134	134	122	131	97	117		
	10 to 30	Array Interior	110	110	110	110	110	110	110	110	110	110	110	110	110	110	110	110	110	110	110	110	110	110	110	110	110	110	110	110	110	110	110	110	110	110	110	110	110	110	110	110	110	110	
	Array Edge	110	110	110	110	110	110	110	110	110	110	110	110	110	110	110	110	110	110	110	110	110	110	109	109	110	110	110	110	104	104	110	110	110	110	99	99	110	110	110	110	92	92		
D	0 to 3	Array Interior	137	137	137	137	130	130	137	137	137	137	126	126	137	137	137	137	122	122	137	137	132	132	118	118	137	137	128	128	114	114	137	137	124	124	109	109	137	131	118	118	110	100	
	Array Edge	137	137	127	127	112	112	137	136	123	123	106	106	137	132	118	118	101	101	137	127	114	114	96	96	137	124	109	109	92	92	137	120	104	104	88	88	137	113	96	96	81	81		
	3 to 10	Array Interior	137	137	137	137	137	137	137	137	137	137	135	137	137	137	137	137	131	137	137	137	137	137	127	137	137	137	137	137	123	137	137	137	137	137	119	136	137	137	134	137	111	128	
Array Edge	137	137	137	137	122	137	137	137	137	137	117	134	137	137	135	137	113	129	137	137	130	137	107	125	137	137	126	136	102	121	137	137	122	132	98	118	132	132	116	125	90	109			
10 to 30	Array Interior	114	114	114	114	114	114	114	114	114	114	114	114	114	114	114	114	114	114	114	114	114	114	114	114	114	114	114	114	114	114	114	114	114	114	114	114	114	114	114	114	114	105	105	
Array Edge	114	114	114	114	114	114	114	114	114	114	114	112	112	114	114	114	114	106	106	114	114	114	114	101	101	114	114	114	114	97	97	114	114	114	114	93	93	114	114	114	114	85	85		
45 psf	B	0 to 3	Array Interior	129	129	129	129	129	129	129	129	129	129	129	129	129	129	129	129	129	129	129	129	129	129	129	129	129	129	129	129	129	129	129	129	129	129	129	129	129	129	129	129	129	129
		Array Edge	129	129	129	129	129	129	129	129	129	129	127	127	129	129	129	129	123	123	129	129	129	129	119	119	129	129	129	129	115	115	129	129	126	126	110	110							
		3 to 10	Array Interior	125	125	125	125	125	125	125	125	125	125	125	125	125	125	125	125	125	125	125	125	125	125	125	125	125	125	125	125	125	125	125	125	125	125	125	125	125	125	125	125	125	125
	Array Edge	125	125	125	125	125	125	125	125	125	125	125	125	125	125	125	125	125	125	125	125	125	125	125	125	125	125	125	125	124	125	125	125	125	125	120	125	125	125	125	125	113	125		
	10 to 30	Array Interior	105	105	105	105	105	105	105	105	105	105	105	105	105	105	105	105	105	105	105	105	105	105	105	105	105	105	105	105	105	105	105	105	105	105	105	105	105	105	105	105	105	105	
	Array Edge	105	105	105	105	105	105	105	105	105	105	105	105	105	105	105	105	105	105	105	105	105	105	105	105	105	105	105	105	105	105	105	105	105	105	105	105	105	105	105	105	105	105		
	C	0 to 3	Array Interior	129	129	129	129	129	129	129	129	129	129	129	129	129	129	129	129	128	128	129	129	129	129	124	124	129	129	129	129	120	120	129	129	129	129	116	116	129	129	123	123	107	107
		Array Edge	129	129	129	129	119	119	129	129	129	129	114	114	129	129	124	124	109	109	129	129	120	120	104	104	129	129	117	117	99	99	129	126	112	112	95	95	129	119	103	103	87	87	
		3 to 10	Array Interior	125	125	125	125	125	125	125	125	125	125	125	125	125	125	125	125	125	125	125	125	125	125	125	125	125	125	125	125	125	125	125	125	125	125	125	125	125	125	125	125	125	125
	Array Edge	125	125	125	125	125	125	125	125	125	125	123	125	125	125	125	125	125	125	125	125	125	125	119	125	125	125	125	125	115	125	125	125	125	125	110	125	125	125	125	125	103	123		
	10 to 30	Array Interior	105	105	105	105	105	105	105	105	105	105	105	105	105	105	105	105	105	105	105	105	105	105	105	105	105	105	105	105	105	105	105	105	105	105	105	105	105	105	105	105	105	105	
	Array Edge	105	105	105	105	105	105	105	105	105	105	105	105	105	105	105	105	105	105	105	105	105	105	105	105	105	105	105	105	105	105	105	105	105	105	105	105	105	105	105	105	92	92		
D	0 to 3	Array Interior	133	133	133	133	130	130	133	133	133	133	126	126	133	133	133	133	122	122	133	133	132	132	118	118	133	133	128	128	114	114	133	133	124	124	109	109	133	131	118	118	110	100	
	Array Edge	133	133	127	127	112	112	133	133	123	123	106	106	133	132	118	118	101	101	133	127	114	114	96	96	133	124	109	109	92	92	133	120	104	104	88	88	133	113	96	96	81	81		
	3 to 10	Array Interior	134	134	134	134	134	134	134	134	134	134	134	134	134	134	134	134	131	134	134	134	134	134	127	134	134	134	134	134	123	134	134	134	134	134									







Maximum Rail Spans (Inches)			K2 Systems X80 Flush-Mount Dual Rail, Enclosed Mono Slope Roof 30-60ft, 72 Cell(P) Rail Only																																																					
Ground Snow Load	Exposure Category	Panel Angle	Wind Speed ->																																																					
			95 mph						100 mph						105 mph						110 mph						115 mph						120 mph						130 mph																	
			Roof Zone ->						1' 1' 2' 2' 3' 3'						1' 1' 2' 2' 3' 3'						1' 1' 2' 2' 3' 3'						1' 1' 2' 2' 3' 3'						1' 1' 2' 2' 3' 3'						1' 1' 2' 2' 3' 3'																	
0 psf	B	0 to 3	Array Interior	144	144	138	138	122	122	122	144	144	144	133	133	118	118	144	144	128	128	113	113	144	139	124	124	108	108	144	134	120	120	103	103	144	130	116	116	98	98	144	123	107	107	90	90									
			Array Edge	144	133	119	119	101	101	144	128	114	114	96	96	144	124	109	109	91	91	144	119	103	103	87	87	144	116	99	99	83	83	142	111	94	94	79	79	142	110	94	94	79	79											
		3 to 10	Array Interior	144	144	144	144	132	144	144	144	144	127	144	144	144	124	144	144	144	124	144	133	144	144	142	144	119	136	144	144	137	144	115	131	144	144	133	144	109	127	144	144	125	135	101	120	144	144	125	117	81	99			
			Array Edge	144	144	136	144	113	130	144	144	131	141	107	125	144	144	126	136	102	121	140	140	122	132	97	117	146	136	118	127	92	112	131	131	114	124	88	107	124	124	105	117	81	91	144	124	105	117	81	99					
		10 to 30	Array Interior	142	142	142	142	126	126	142	142	142	142	122	122	142	142	142	142	117	117	142	142	142	141	113	113	142	142	136	136	108	108	142	142	132	132	103	103	135	135	125	125	95	95	142	142	125	95	77	77					
			Array Edge	142	142	135	135	106	106	141	141	130	130	101	101	136	136	126	126	96	96	131	131	122	122	91	91	127	127	118	118	87	87	123	123	114	114	83	83	116	116	104	104	70	70	142	142	125	95	77	77					
	C	0 to 3	Array Interior	144	139	124	124	108	108	144	133	119	119	102	102	144	129	115	115	97	97	144	124	110	110	92	92	144	120	105	105	88	88	144	117	100	100	84	84	144	117	100	100	84	84	139	108	92	92	77	77					
			Array Edge	144	119	103	103	87	87	144	115	98	98	82	82	140	109	93	93	78	78	135	104	88	88	74	74	131	99	84	84	71	71	127	95	81	81	68	68	120	87	74	74	63	63	120	87	74	74	63	63					
		3 to 10	Array Interior	144	144	142	144	119	136	144	144	136	144	114	131	144	144	132	142	108	126	144	144	127	137	103	122	141	141	123	133	98	118	137	137	119	129	94	114	129	129	111	121	86	105	129	129	111	121	86	105					
			Array Edge	140	140	122	132	97	117	135	135	118	127	92	111	130	130	113	122	87	106	126	126	107	118	83	101	122	122	102	114	79	96	118	118	98	109	76	92	110	110	90	100	70	84	110	110	90	100	70	84					
		10 to 30	Array Interior	142	142	141	141	113	113	142	142	136	136	107	107	141	141	131	131	101	101	137	137	127	127	97	97	132	132	123	123	92	92	128	128	119	119	88	88	121	121	111	111	81	81	121	121	111	111	81	81					
			Array Edge	131	131	122	122	91	91	126	126	117	117	86	86	122	122	112	112	82	82	144	118	107	107	78	78	144	114	102	102	75	75	109	109	97	97	71	71	100	100	90	90	66	66	100	100	90	90	66	66					
D	0 to 3	Array Interior	144	132	118	118	100	100	144	127	113	113	95	95	144	122	107	107	90	90	144	118	102	102	86	86	144	114	97	97	82	82	140	109	93	93	78	78	132	100	85	85	72	72	132	100	85	85	72	72						
		Array Edge	144	113	96	96	81	81	138	107	91	91	77	77	133	101	86	86	73	73	129	96	82	82	69	69	124	92	79	79	66	66	121	88	75	75	63	63	113	81	69	69	58	58	113	81	69	69	58	58						
	3 to 10	Array Interior	144	144	135	144	112	129	144	144	130	140	106	124	144	144	125	135	100	120	139	139	121	130	95	116	134	134	117	126	91	111	130	130	113	122	87	106	123	123	103	115	80	97	123	123	103	115	80	97						
		Array Edge	133	133	116	125	90	109	128	128	110	121	85	103	124	124	105	116	81	98	119	119	100	111	77	94	116	116	95	106	74	89	111	111	91	101	71	85	102	102	84	93	65	79	102	102	84	93	65	79						
	10 to 30	Array Interior	142	142	134	134	105	105	139	139	129	129	99	99	134	134	125	125	94	94	130	130	120	120	90	90	126	126	117	117	86	86	122	122	112	112	82	82	115	115	103	103	76	76	115	115	103	103	76	76						
		Array Edge	125	125	116	116	85	85	120	120	110	110	80	80	116	116	104	104	76	76	111	111	99	99	73	73	106	106	95	95	70	70	101	101	91	91	67	67	93	93	83	83	61	61	93	93	83	83	61	61						
5 psf	B	0 to 3	Array Interior	139	139	138	138	122	122	139	139	133	133	118	118	139	139	128	128	113	113	139	139	124	124	108	108	139	134	120	120	103	103	139	130	116	116	98	98	139	123	107	107	90	90	139	123	107	107	90	90					
			Array Edge	139	133	119	119	101	101	139	128	114	114	96	96	139	124	109	109	91	91	139	119	103	103	87	87	139	116	99	99	83	83	139	111	94	94	79	79	133	102	87	87	73	73	133	102	87	87	73	73					
		3 to 10	Array Interior	140	140	140	140	132	140	140	140	140	127	140	140	140	123	140	140	140	123	140	140	140	119	136	140	140	137	140	115	131	140	140	133	140	109	127	140	140	125	135	101	120	140	140	125	135	101	120	140	140	125	135	101	120
			Array Edge	140	140	136	140	113	130	140	140	131	140	107	125	140	140	126	136	102	121	140	140	122	132	97	117	136	136	118	127	92	112	131	131	114	124	88	107	124	124	105	117	81	99	124	124	105	117	81	99					
		10 to 30	Array Interior	133	133	133	133	126	126	133	133	133	133	122	122	133	133	133	133	117	117	133	133	133	133	113	113	133	133	133	133	108	108	133	133	132	132	103	103	133	133	125	125	95	95	133	133	125	125	95	95					
			Array Edge	133	133	133	133	106	106	133	133	130	130	101	101	133	133	126	126	96	96	131	131	122	122	91	91	127	127	118	118	87	87	123	123	114	114	83	83	116	116	104	104	77	77	116	116	104	104	77	77					
	C	0 to 3	Array Interior	139	139	124	124	108	108	139	133	119	119	102	102	139	129	115	115	97	97	139	124	110	110	92	92	139	120	105	105	88	88	139	117	100	100	84	84	139	108	92	92	77	77	139	108	92	92	77	77					
			Array Edge	139	119	103	103	87	87	139	115	98	98	82	82	139	109	93	93	78	78	135	104	88	88	74	74	131	99	84	84	71	71	127	95	81	81	68	68	120	87	74	74	63	63	120	87	74	74	63	63					
		3 to 10	Array Interior	140	140	140	140	119	136	140	140	136	140	114	131	140	140	132	140	108	126	140	140	127	137	103	122	140	140	123	133	98	118	137	137	119	129	94	114	129	129	111	121	86	105	129	129	111	121	86	105					
			Array Edge	140	140	122	132	97	117	135	135	118	127	92	111	130	130	113	122	87	106	126	126	107	118	83	101	122	122	102	114	79	96	118	118	98	109	76	92	110	110	90	100	70	84	110	110	90	100	70	84					
		10 to 30	Array Interior	133	133	133	133	113	113	133	133	133	133	107	107	133	133	131	131	101	101	133	133	127	127	97	97	132	132	123	123	92	92	128	128	119	119	88	88	121	121	111	111	81	81	121	121	111	111	81	81					
			Array Edge	131	131	122	122	91	91	126	126	117	117	86	86	122	122	112	112	82	82	118	118	107	107	78	78	144	114	102	102	75	75	109	109	97	97	71	71	100	100	90	90	66	66	100	100	90	90	66	66					
D	0 to 3	Array Interior	139	132	118	118	100	100	139	127	113	113	95	95	139	122																																								



Maximum Rail Spans (Inches)			K2 Systems X80 Flush-Mount Dual Rail, Enclosed Mono Slope Roof 30-60ft, 72 Cell(P) Rail Only																																																
Ground Snow Load	Exposure Category	Panel Angle	Wind Speed -> 140 mph						150 mph						160 mph						170 mph						180 mph						190 mph						200 mph												
			Roof Zone ->						1'	1	2'	2	3'	3	1'	1	2'	2	3'	3	1'	1	2'	2	3'	3	1'	1	2'	2	3'	3	1'	1	2'	2	3'	3	1'	1	2'	2	3'	3	1'	1	2'	2	3'	3	
0 psf	B	0 to 3	Array Interior	144	116	99	99	83	83	140	108	92	92	78	78	133	101	86	86	73	73	127	95	81	81	68	68	122	89	76	76	64	64	117	84	72	72	61	61	112	80	68	68	58	58	47	47				
			Array Edge	126	94	80	80	68	68	120	87	75	75	63	63	114	82	70	70	59	59	107	77	66	66	55	55	101	72	62	62	52	52	95	68	58	58	49	49	90	65	55	55	47	47						
		3 to 10	Array Interior	136	136	119	128	93	113	129	129	112	122	86	105	123	123	104	116	81	98	118	118	98	109	76	92	112	112	92	103	72	87	106	106	87	97	68	82	100	100	82	92	64	78	81	67	74	52	63	
			Array Edge	117	117	97	108	75	91	110	110	90	101	70	85	103	103	84	94	66	79	96	96	79	88	62	74	91	91	75	83	58	70	86	86	70	78	55	66	80	81	67	74	52	63						
		10 to 30	Array Interior	127	127	118	118	88	88	121	121	111	111	81	81	116	116	104	104	76	76	109	109	98	98	72	72	102	102	92	92	67	67	97	97	87	87	64	64	92	92	82	82	61	61	81	69	61	61	49	49
			Array Edge	108	108	97	97	71	71	100	100	90	90	66	66	94	94	84	84	62	62	88	88	79	79	58	58	83	83	74	74	55	55	78	78	70	70	52	52	74	74	67	67	49	49						
	C	0 to 3	Array Interior	132	100	85	85	72	72	125	93	79	79	67	67	119	87	74	74	62	62	114	81	69	69	59	59	107	77	65	65	55	55	101	72	62	62	52	52	96	69	59	59	50	50	40	40				
			Array Edge	113	81	69	69	58	58	105	75	64	64	54	54	98	70	60	60	51	51	92	66	56	56	48	48	86	62	53	53	45	45	82	59	50	50	42	42	77	56	48	48	40	40						
		3 to 10	Array Interior	122	122	103	115	80	97	116	116	96	107	74	90	109	109	89	100	69	84	102	102	84	93	65	79	96	96	79	88	61	74	91	91	75	83	58	70	86	86	71	79	55	67	45	45				
			Array Edge	101	101	83	93	65	78	94	94	77	86	60	73	88	88	72	81	56	68	83	83	68	76	53	64	78	78	64	71	50	60	74	74	61	67	47	57	70	70	57	64	45	54						
		10 to 30	Array Interior	114	114	103	103	75	75	106	106	95	95	70	70	99	99	89	89	66	66	93	93	84	84	62	62	88	88	79	79	58	58	83	83	75	75	55	55	79	79	71	71	52	52	61	61	49	49		
			Array Edge	92	92	83	83	61	61	86	86	77	77	57	57	80	80	72	72	53	53	76	76	68	68	50	50	71	71	64	64	47	47	67	67	61	61	45	45	64	64	57	57	42	42						
D	0 to 3	Array Interior	125	93	79	79	67	67	119	86	74	74	62	62	113	81	69	69	58	58	106	76	65	65	55	55	99	71	61	61	51	51	94	67	58	58	49	49	89	64	55	55	46	46	38	38					
		Array Edge	105	75	64	64	54	54	97	70	60	60	50	50	91	65	56	56	47	47	85	61	52	52	44	44	80	58	50	50	42	42	76	55	47	47	40	40	72	52	44	44	38	38							
	3 to 10	Array Interior	116	116	96	107	74	90	108	108	89	99	69	84	101	101	83	93	65	78	95	95	78	87	61	73	89	89	74	82	57	69	84	84	70	77	54	65	80	80	66	73	51	62	42	50					
		Array Edge	94	94	77	86	60	73	87	87	72	80	56	68	82	82	67	75	52	63	77	77	63	70	49	60	72	72	60	66	46	56	68	68	56	63	44	53	65	65	54	60	42	50							
	10 to 30	Array Interior	106	106	95	95	70	70	99	99	89	89	65	65	92	92	83	83	61	61	87	87	78	78	57	57	82	82	73	73	54	54	77	77	69	69	51	51	73	73	66	66	49	49							
		Array Edge	86	86	77	77	57	57	80	80	72	72	53	53	75	75	67	67	50	50	70	70	63	63	47	47	66	66	60	60	44	44	63	63	56	56	42	42	59	59	53	53	39	39							
5 psf	B	0 to 3	Array Interior	139	116	99	99	83	83	139	108	92	92	78	78	133	101	86	86	73	73	127	95	81	81	68	68	122	89	76	76	64	64	117	84	72	72	61	61	112	80	68	68	58	58	47	47				
			Array Edge	126	94	80	80	68	68	120	87	75	75	63	63	114	82	70	70	59	59	107	77	66	66	55	55	101	72	62	62	52	52	95	68	58	58	49	49	90	65	55	55	47	47						
		3 to 10	Array Interior	136	136	119	128	93	113	129	129	112	122	86	105	123	123	104	116	81	98	118	118	98	109	76	92	112	112	92	103	72	87	106	106	87	97	68	82	100	100	82	92	64	78	81	67	74	52	63	
			Array Edge	117	117	97	108	75	91	110	110	90	101	70	85	103	103	84	94	66	79	96	96	79	88	62	74	91	91	75	83	58	70	86	86	70	78	55	66	80	81	67	74	52	63						
		10 to 30	Array Interior	127	127	118	118	88	88	121	121	111	111	81	81	116	116	104	104	76	76	109	109	98	98	72	72	102	102	92	92	67	67	97	97	87	87	64	64	92	92	82	82	61	61	81	69	61	61	49	49
			Array Edge	108	108	97	97	71	71	100	100	90	90	66	66	94	94	84	84	62	62	88	88	79	79	58	58	83	83	74	74	55	55	78	78	70	70	52	52	74	74	67	67	49	49						
	C	0 to 3	Array Interior	132	100	85	85	72	72	125	93	79	79	67	67	119	87	74	74	62	62	114	81	69	69	59	59	107	77	65	65	55	55	101	72	62	62	52	52	96	69	59	59	50	50	40	40				
			Array Edge	113	81	69	69	58	58	105	75	64	64	54	54	98	70	60	60	51	51	92	66	56	56	48	48	86	62	53	53	45	45	82	59	50	50	42	42	77	56	48	48	40	40						
		3 to 10	Array Interior	122	122	103	115	80	97	116	116	96	107	74	90	109	109	89	100	69	84	102	102	84	93	65	79	96	96	79	88	61	74	91	91	75	83	58	70	86	86	71	79	55	67	45	45				
			Array Edge	101	101	83	93	65	78	94	94	77	86	60	73	88	88	72	81	56	68	83	83	68	76	53	64	78	78	64	71	50	60	74	74	61	67	47	57	70	70	57	64	45	54						
		10 to 30	Array Interior	114	114	103	103	75	75	106	106	95	95	70	70	99	99	89	89	66	66	93	93	84	84	62	62	88	88	79	79	58	58	83	83	75	75	55	55	79	79	71	71	52	52	61	61	49	49		
			Array Edge	92	92	83	83	61	61	86	86	77	77	57	57	80	80	72	72	53	53	76	76	68	68	50	50	71	71	64	64	47	47	67	67	61	61	45	45	64	64	57	57	42	42						
D	0 to 3	Array Interior	125	93	79	79	67	67	119	86	74	74	62	62	113	81	69	69	58	58	106	76	65	65	55	55	99	71	61	61	51	51	94	67	58	58	49	49	89	64	55	55	46	46	38	38					
		Array Edge	105	75	64	64	54	54	97	70	60	60	50	50	91	65	56	56	47	47	85	61	52	52	44	44	80	58	50	50	42	42	76	55	47	47	40	40	72	52	44	44	38	38							
	3 to 10	Array Interior	116	116	96	107	74	90	108	108	89	99	69	84	101	101	83	93	65	78	95	95	78	87	61	73	89	89	74	82	57	69	84	84	70	77	54	65	80	80	66	73	51	62	42	50					
		Array Edge	94	94	77	86	60	73	87	87	72	80	56	68	82	82	67	75	52	63	77	77	63	70	49	60	72	72	60	66	46	56	68	68	56	63	44	53	65	65	54	60	42	50							
	10 to 30	Array Interior	106	106	95	95	70	70	99	99	89	89	65	65	92	92	83	83	61	61	87	87	78	78	57	57	82	82	73	73	54	54	77	77	69	69	51	51	73	73	66	66	49	49							
		Array Edge	86	86	77	77	57	57	80	80	72	72	53	53	75	75	67	67	50																																

Maximum Rail Spans (Inches)			K2 Systems X80 Flush-Mount Dual Rail, Enclosed Mono Slope Roof 30-60ft, 72 Cell(P) Rail Only																																										
Ground Snow Load	Exposure Category	Panel Angle	Wind Speed ->																																										
			95 mph						100 mph						105 mph						110 mph						115 mph						120 mph						130 mph						
			Roof Zone ->																																										
			1'	1	2'	2	3'	3	1'	1	2'	2	3'	3	1'	1	2'	2	3'	3	1'	1	2'	2	3'	3	1'	1	2'	2	3'	3	1'	1	2'	2	3'	3	1'	1	2'	2	3'	3	
20 psf	B	0 to 3	Array Interior	109	109	109	109	109	109	109	109	109	109	109	109	109	109	109	109	109	109	109	109	109	109	109	109	109	109	109	109	109	109	109	109	109	109	109	109	109	109	109	109	109	109
		Array Edge	109	109	109	109	101	101	109	109	109	109	96	96	109	109	109	109	91	91	109	109	109	109	87	87	109	109	109	99	83	83	109	109	94	94	79	79	109	102	87	87	73	73	
		3 to 10	Array Interior	110	110	110	110	110	110	110	110	110	110	110	110	110	110	110	110	110	110	110	110	110	110	110	110	110	110	110	110	110	110	110	110	110	110	110	110	110	110	110	110	110	110
	Array Edge	110	110	110	110	110	110	110	110	110	110	107	110	110	110	110	110	102	110	110	110	110	110	97	110	110	110	110	110	92	110	110	110	110	110	88	107	110	110	105	110	81	99		
	10 to 30	Array Interior	108	108	108	108	108	108	108	108	108	108	108	108	108	108	108	108	108	108	108	108	108	108	108	108	108	108	108	108	108	108	108	108	108	108	103	103	108	108	108	108	95	95	
	Array Edge	108	108	108	108	106	106	108	108	108	108	101	101	108	108	108	108	96	96	108	108	108	108	91	91	108	108	108	108	87	87	108	108	108	108	83	83	108	108	104	104	77	77		
	C	0 to 3	Array Interior	109	109	109	109	108	108	109	109	109	109	102	102	109	109	109	109	97	97	109	109	109	109	92	92	109	109	105	105	88	88	109	109	100	100	84	84	109	108	92	92	77	77
		Array Edge	109	109	103	103	87	87	109	109	98	98	82	82	109	109	93	93	78	78	109	109	104	104	88	88	109	109	84	84	71	71	109	95	81	81	68	68	109	87	74	74	63	63	
		3 to 10	Array Interior	110	110	110	110	110	110	110	110	110	110	110	110	110	110	110	110	108	110	110	110	110	110	103	110	110	110	110	110	98	110	110	110	110	110	94	110	110	110	110	110	86	105
	Array Edge	110	110	110	110	97	110	110	110	110	110	92	110	110	110	110	110	87	106	110	110	107	110	83	101	110	110	102	110	79	96	110	110	98	109	76	92	110	110	90	100	70	84		
	10 to 30	Array Interior	108	108	108	108	108	108	108	108	108	108	107	107	108	108	108	108	101	101	108	108	108	108	97	97	108	108	108	108	92	92	108	108	108	108	88	88	108	108	108	108	81	81	
	Array Edge	108	108	108	108	91	91	108	108	108	108	86	86	108	108	108	108	82	82	108	108	107	107	78	78	108	108	102	102	75	75	108	108	97	97	71	71	100	100	90	90	66	66		
D	0 to 3	Array Interior	109	109	109	109	100	100	109	109	109	109	95	95	109	109	107	107	90	90	109	109	102	102	86	86	109	109	97	97	82	82	109	109	93	93	78	78	109	100	85	85	72	72	
	Array Edge	109	109	96	96	81	81	109	107	91	91	77	77	109	101	86	86	73	73	109	96	82	82	69	69	109	92	79	79	66	66	109	88	75	75	63	63	109	81	69	69	58	58		
	3 to 10	Array Interior	110	110	110	110	110	110	110	110	110	110	106	110	110	110	110	110	100	110	110	110	110	110	95	110	110	110	110	110	91	110	110	110	110	110	87	106	110	110	110	110	80	97	
Array Edge	110	110	110	110	90	109	110	110	110	110	85	103	110	110	105	110	81	98	110	110	100	110	77	94	110	110	110	110	74	89	110	110	110	110	71	85	110	110	110	110	65	79			
10 to 30	Array Interior	104	104	104	104	104	104	104	104	104	104	99	99	104	104	104	104	94	94	104	104	104	104	90	90	104	104	104	104	86	86	104	104	104	104	82	82	104	104	103	103	76	76		
Array Edge	104	104	104	104	85	85	104	104	104	104	80	80	104	104	104	104	76	76	104	104	99	99	73	73	104	104	95	95	70	70	101	101	91	91	67	67	93	93	83	83	61	61			
25 psf	B	0 to 3	Array Interior	109	109	109	109	109	109	109	109	109	109	109	109	109	109	109	109	109	109	109	109	109	109	108	108	109	109	109	109	103	103	109	109	109	109	98	98	109	109	107	107	90	90
		Array Edge	109	109	109	109	101	101	109	109	109	109	96	96	109	109	109	109	91	91	109	109	103	103	87	87	109	109	99	83	83	109	109	94	94	79	79	109	102	87	87	73	73		
		3 to 10	Array Interior	110	110	110	110	110	110	110	110	110	110	110	110	110	110	110	110	110	110	110	110	110	110	110	110	110	110	110	110	110	110	110	110	110	110	110	110	110	110	110	110	101	110
	Array Edge	110	110	110	110	110	110	110	110	110	110	107	110	110	110	110	110	102	110	110	110	110	110	97	110	110	110	110	110	92	110	110	110	110	110	88	107	110	110	105	110	81	99		
	10 to 30	Array Interior	101	101	101	101	101	101	101	101	101	101	101	101	101	101	101	101	101	101	101	101	101	101	101	101	101	101	101	101	101	101	101	101	101	101	101	101	101	101	101	101	95	95	
	Array Edge	101	101	101	101	101	101	101	101	101	101	101	101	101	101	101	101	96	96	101	101	101	101	91	91	101	101	101	101	87	87	101	101	101	101	83	83	101	101	101	101	77	77		
	C	0 to 3	Array Interior	109	109	109	109	108	108	109	109	109	109	102	102	109	109	109	109	97	97	109	109	109	109	92	92	109	109	105	105	88	88	109	109	100	100	84	84	109	108	92	92	77	77
		Array Edge	109	109	103	103	87	87	109	109	98	98	82	82	109	109	93	93	78	78	109	109	104	104	88	88	109	109	84	84	71	71	109	95	81	81	68	68	109	87	74	74	63	63	
		3 to 10	Array Interior	110	110	110	110	110	110	110	110	110	110	110	110	110	110	110	110	108	110	110	110	110	110	103	110	110	110	110	110	98	110	110	110	110	110	94	110	110	110	110	110	86	105
	Array Edge	110	110	110	110	97	110	110	110	110	110	92	110	110	110	110	110	87	106	110	110	107	110	83	101	110	110	102	110	79	96	110	110	98	109	76	92	110	110	90	100	70	84		
	10 to 30	Array Interior	101	101	101	101	101	101	101	101	101	101	101	101	101	101	101	101	101	101	101	101	101	101	101	101	101	101	101	101	101	101	101	101	101	101	101	101	101	101	101	101	81	81	
	Array Edge	101	101	101	101	101	101	101	101	101	101	86	86	101	101	101	101	82	82	101	101	101	101	78	78	101	101	101	101	75	75	101	101	97	97	71	71	100	100	90	90	66	66		
D	0 to 3	Array Interior	109	109	109	109	100	100	109	109	109	109	95	95	109	109	107	107	90	90	109	109	102	102	86	86	109	109	97	97	82	82	109	109	93	93	78	78	109	100	85	85	72	72	
	Array Edge	109	109	96	96	81	81	109	107	91	91	77	77	109	101	86	86	73	73	109	96	82	82	69	69	109	92	79	79	66	66	109	88	75	75	63	63	109	81	69	69	58	58		
	3 to 10	Array Interior	110	110	110	110	110	110	110	110	110	110	106	110	110	110	110	110	100	110	110	110	110	110	95	110	110	110	110	110	91	110	110	110	110	110	87	106	110	110	110	110	80	97	
Array Edge	110	110	110	110	90	109	110	110	110	110	85	103	110</																																

Maximum Rail Spans (Inches)			K2 Systems X80 Flush-Mount Dual Rail, Enclosed Mono Slope Roof 30-60ft, 72 Cell(P) Rail Only																																																						
Ground Snow Load	Exposure Category	Panel Angle	Wind Speed ->																																																						
			140 mph						150 mph						160 mph						170 mph						180 mph						190 mph						200 mph																		
			Roof Zone ->																																																						
			1'	1	2'	2	3'	3	1'	1	2'	2	3'	3	1'	1	2'	2	3'	3	1'	1	2'	2	3'	3	1'	1	2'	2	3'	3	1'	1	2'	2	3'	3	1'	1	2'	2	3'	3	1'	1	2'	2	3'	3							
20 psf	B	0 to 3	Array Interior	109	109	99	99	83	83	109	108	92	92	78	78	109	101	86	86	73	73	109	95	81	81	68	68	109	89	76	76	64	64	109	84	72	72	61	61	109	80	68	68	58	58	109	80	68	68	58	58	109	94	80	80	68	68
			Array Edge	109	94	80	80	68	68	109	87	75	75	63	63	109	82	70	70	59	59	107	77	66	66	55	55	101	72	62	62	52	52	95	68	58	58	49	49	90	65	55	55	47	47	90	65	55	55	47	47						
		3 to 10	Array Interior	110	110	110	110	93	110	110	110	110	110	86	105	110	110	104	110	81	98	110	110	98	109	76	92	110	110	92	103	72	87	106	106	87	97	68	82	100	100	82	92	64	78	100	100	82	92	64	78						
			Array Edge	110	110	97	108	75	91	110	110	90	101	70	85	103	103	84	94	66	79	96	96	79	88	62	74	91	91	75	83	58	70	86	86	70	78	55	66	81	81	67	74	52	63	81	81	67	74	52	63						
		10 to 30	Array Interior	108	108	108	108	88	88	108	108	108	108	81	81	108	108	104	104	76	76	108	108	98	98	72	72	102	102	92	92	67	67	97	97	87	87	64	64	92	92	82	82	61	61	92	92	82	82	61	61						
			Array Edge	108	108	97	97	71	71	100	100	90	90	66	66	94	94	84	84	62	62	88	88	79	79	58	58	83	83	74	74	55	55	78	78	70	70	52	52	74	74	67	67	49	49	74	74	67	67	49	49						
	C	0 to 3	Array Interior	109	100	85	85	72	72	109	93	79	79	67	67	109	87	74	74	62	62	109	81	69	69	59	59	107	77	65	65	55	55	101	72	62	62	52	52	96	69	59	59	50	50	96	69	59	59	50	50						
			Array Edge	109	81	69	69	58	58	105	75	64	64	54	54	98	70	60	60	51	51	92	66	56	56	48	48	86	62	53	53	45	45	82	59	50	50	42	42	77	56	48	48	40	40	77	56	48	48	40	40						
		3 to 10	Array Interior	110	110	103	110	80	97	110	110	96	107	74	90	109	109	89	100	69	84	102	102	84	93	65	79	96	96	79	88	61	74	91	91	75	83	58	70	86	86	71	79	55	67	86	86	71	79	55	67						
			Array Edge	101	101	83	93	65	78	94	94	77	86	60	73	88	88	72	81	56	68	83	83	68	76	53	64	78	78	64	71	50	60	74	74	61	67	47	57	70	70	57	64	45	54	70	70	57	64	45	54						
		10 to 30	Array Interior	108	108	103	103	75	75	106	106	95	95	70	70	99	99	89	89	66	66	93	93	84	84	62	62	88	88	79	79	58	58	83	83	75	75	55	55	79	79	71	71	52	52	79	79	71	71	52	52						
			Array Edge	92	92	83	83	61	61	86	86	77	77	57	57	80	80	72	72	53	53	76	76	68	68	50	50	71	71	64	64	47	47	67	67	61	61	45	45	64	64	57	57	42	42	64	64	57	57	42	42						
D	0 to 3	Array Interior	109	93	79	79	67	67	109	86	74	74	62	62	109	81	69	69	58	58	106	76	65	65	55	55	99	71	61	61	51	51	94	67	58	58	49	49	89	64	55	55	46	46	89	64	55	55	46	46							
		Array Edge	105	75	64	64	54	54	97	70	60	60	50	50	91	65	56	56	47	47	85	61	52	52	44	44	80	58	50	50	42	42	76	55	47	47	40	40	72	52	44	44	38	38	72	52	44	44	38	38							
	3 to 10	Array Interior	110	110	96	107	74	90	108	108	89	99	69	84	101	101	83	93	65	78	95	95	78	87	61	73	89	89	74	82	57	69	84	84	70	77	54	65	80	80	66	73	51	62	80	80	66	73	51	62							
		Array Edge	94	94	77	86	60	73	87	87	72	80	56	68	82	82	67	75	52	63	77	77	63	70	49	60	72	72	60	66	46	56	68	68	56	63	44	53	65	65	54	60	42	50	65	65	54	60	42	50							
	10 to 30	Array Interior	106	106	95	95	70	70	99	99	89	89	65	65	92	92	83	83	61	61	87	87	78	78	57	57	82	82	73	73	54	54	77	77	69	69	51	51	73	73	66	66	49	49	73	73	66	66	49	49							
		Array Edge	86	86	77	77	57	57	80	80	72	72	53	53	75	75	67	67	50	50	70	70	63	63	47	47	62	62	60	60	44	44	63	63	56	56	42	42	59	59	53	53	39	39	59	59	53	53	39	39							
25 psf	B	0 to 3	Array Interior	109	109	99	99	83	83	109	108	92	92	78	78	109	101	86	86	73	73	109	95	81	81	68	68	109	89	76	76	64	64	109	84	72	72	61	61	109	80	68	68	58	58	109	80	68	68	58	58						
			Array Edge	109	94	80	80	68	68	109	87	75	75	63	63	109	82	70	70	59	59	107	77	66	66	55	55	101	72	62	62	52	52	95	68	58	58	49	49	90	65	55	55	47	47	90	65	55	55	47	47						
		3 to 10	Array Interior	110	110	110	110	93	110	110	110	110	110	86	105	110	110	104	110	81	98	110	110	98	109	76	92	110	110	92	103	72	87	106	106	87	97	68	82	100	100	82	92	64	78	100	100	82	92	64	78						
			Array Edge	110	110	97	108	75	91	110	110	90	101	70	85	103	103	84	94	66	79	96	96	79	88	62	74	91	91	75	83	58	70	86	86	70	78	55	66	81	81	67	74	52	63	81	81	67	74	52	63						
		10 to 30	Array Interior	101	101	101	101	88	88	101	101	101	101	81	81	101	101	101	101	76	76	101	101	98	98	72	72	101	101	92	92	67	67	97	97	87	87	64	64	92	92	82	82	61	61	92	92	82	82	61	61						
			Array Edge	101	101	97	97	71	71	100	100	90	90	66	66	94	94	84	84	62	62	88	88	79	79	58	58	83	83	74	74	55	55	78	78	70	70	52	52	74	74	67	67	49	49	74	74	67	67	49	49						
	C	0 to 3	Array Interior	109	100	85	85	72	72	109	93	79	79	67	67	109	87	74	74	62	62	109	81	69	69	59	59	107	77	65	65	55	55	101	72	62	62	52	52	96	69	59	59	50	50	96	69	59	59	50	50						
			Array Edge	109	81	69	69	58	58	105	75	64	64	54	54	98	70	60	60	51	51	92	66	56	56	48	48	86	62	53	53	45	45	82	59	50	50	42	42	77	56	48	48	40	40	77	56	48	48	40	40						
		3 to 10	Array Interior	110	110	103	110	80	97	110	110	96	107	74	90	109	109	89	100	69	84	102	102	84	93	65	79	96	96	79	88	61	74	91	91	75	83	58	70	86	86	71	79	55	67	86	86	71	79	55	67						
			Array Edge	101	101	83	93	65	78	94	94	77	86	60	73	88	88	72	81	56	68	83	83	68	76	53	64	78	78	64	71	50	60	74	74	61	67	47	57	70	70	57	64	45	54	70	70	57	64	45	54						
		10 to 30	Array Interior	101	101	101	101	75	75	101	101	95	95	70	70	99	99	89	89	66	66	93	93	84	84	62	62	88	88	79	79	58	58	83	83	75	75	55	55	79	79	71	71	52	52	79	79	71	71	52	52						
			Array Edge	92	92	83	83	61	61	86	86	77	77	57	57	80	80	72	72	53	53	76	76	68	68	50	50	71	71	64	64	47	47	67	67	61	61	45	45	64	64	57	57	42	42	64	64	57	57	42	42						
D	0 to 3	Array Interior	109	93	79	79	67	67	109	86	74	74	62	62	109	81	69	69	58	58	106	76	65	65	55	55	99	71	61	61	51	51	94	67	58	58	49	49	89	64	55	55	46	46	89	64	55	55	46	46							
		Array Edge	105	75	64	64	54	54	97	70	60	60	50	50	91	65	56	56	47	47	85	61	52	52	44	44	80	58	50	50	42	42	76	55	47	47	40	40	72	52	44	44	38	38	72	52	44</										



Maximum Rail Spans (Inches)			K2 Systems X80 Flush-Mount Dual Rail, Enclosed Mono Slope Roof 30-60ft, 72 Cell(P) Rail Only																																														
Ground Snow Load	Exposure Category	Panel Angle	Wind Speed -> 140 mph						150 mph						160 mph						170 mph						180 mph						190 mph						200 mph										
			Roof Zone ->						1'	1	2'	2	3'	3	1'	1	2'	2	3'	3	1'	1	2'	2	3'	3	1'	1	2'	2	3'	3	1'	1	2'	2	3'	3	1'	1	2'	2	3'	3	1'	1	2'	2	3'
40 psf	B	0 to 3	Array Interior	98	98	98	98	83	83	98	98	92	92	78	78	98	98	86	86	73	73	98	95	81	81	68	68	98	89	76	76	64	64	98	84	72	72	61	61	98	80	68	68	58	58	47	47		
			Array Edge	98	94	80	80	68	68	98	87	75	75	63	63	98	82	70	70	59	59	98	77	66	66	55	55	98	72	62	62	52	52	95	68	58	58	49	49	90	65	55	55	47	47				
		3 to 10	Array Interior	99	99	99	99	93	99	99	99	99	86	99	99	99	99	99	99	81	98	99	99	99	76	92	99	92	87	99	99	87	97	68	82	99	89	82	92	64	68	99	99	82	92	64	68	73	73
			Array Edge	99	99	97	99	75	91	99	99	90	99	70	85	99	99	84	94	66	79	96	96	79	88	62	74	91	91	75	83	58	70	86	86	70	78	55	66	91	81	67	74	52	63	61	61		
		10 to 30	Array Interior	88	88	88	88	88	88	88	88	88	81	81	88	88	88	88	76	76	88	88	88	72	72	72	72	88	88	88	77	67	67	88	88	87	87	64	64	88	88	82	82	61	61	61	61	49	49
			Array Edge	88	88	88	88	71	71	88	88	88	88	66	66	88	88	84	84	62	62	88	88	79	79	58	58	83	83	74	74	55	55	78	78	70	70	52	52	74	74	67	67	49	49	61	61		
	C	0 to 3	Array Interior	98	98	85	85	72	72	98	93	79	79	67	67	98	87	74	74	62	62	98	81	69	69	59	59	98	77	65	65	55	55	96	72	62	62	52	52	95	69	59	59	50	50	47	47		
			Array Edge	98	81	69	69	58	58	97	75	64	64	54	54	96	70	60	60	51	51	92	66	56	56	48	48	86	62	53	53	45	45	82	59	50	50	42	42	77	56	48	48	40	40	47	47		
		3 to 10	Array Interior	99	99	99	99	80	97	99	99	96	99	74	90	99	99	89	99	69	84	99	99	84	93	65	79	96	96	79	88	61	74	91	91	75	83	58	70	86	86	71	79	55	67	60	60		
			Array Edge	99	99	83	93	65	78	94	94	77	86	60	73	88	88	72	81	56	68	83	83	68	76	53	64	78	78	64	71	50	60	74	74	61	67	47	57	70	70	57	64	45	54	52	52		
		10 to 30	Array Interior	88	88	88	88	75	75	88	88	88	88	70	70	88	88	88	88	66	66	88	88	84	84	62	62	88	88	79	79	58	58	83	83	75	75	55	55	79	79	71	71	52	52	52	52	42	42
			Array Edge	88	88	83	83	61	61	86	86	77	77	57	57	80	80	72	72	53	53	76	76	68	68	50	50	71	71	64	64	47	47	67	67	61	61	45	45	64	64	57	57	42	42	42	42		
D	0 to 3	Array Interior	102	93	79	79	67	67	102	86	74	74	62	62	102	81	69	69	58	58	101	76	65	65	55	55	99	71	61	61	51	51	94	67	58	58	49	49	89	64	55	55	46	46	46	46			
		Array Edge	101	75	64	64	54	54	97	70	60	60	50	50	91	65	56	56	47	47	85	61	52	52	44	44	80	58	50	50	42	42	76	55	47	47	40	40	72	52	44	44	38	38	38	38			
	3 to 10	Array Interior	103	103	96	103	74	90	103	103	89	99	69	84	101	101	83	93	65	78	95	95	78	87	61	73	89	89	74	82	57	69	84	84	70	77	54	65	80	80	66	73	51	62	50	50			
		Array Edge	94	94	77	86	60	73	87	87	72	80	56	68	82	82	67	75	52	63	77	77	63	70	49	60	72	72	60	66	46	56	68	68	56	63	44	53	65	65	54	60	42	50	42	50			
	10 to 30	Array Interior	91	91	91	91	70	70	91	91	89	89	65	65	91	91	83	83	61	61	87	87	78	78	57	57	82	82	73	73	54	54	77	77	69	69	51	51	73	73	66	66	49	49	49	49			
		Array Edge	86	86	77	77	57	57	80	80	72	72	53	53	75	75	67	67	50	50	70	70	63	63	47	47	66	66	60	60	44	44	63	63	56	56	42	42	59	59	53	53	39	39	39	39			
45 psf	B	0 to 3	Array Interior	94	94	94	94	83	83	94	94	92	92	78	78	94	94	86	86	73	73	94	94	81	81	68	68	94	89	76	76	64	64	94	84	72	72	61	61	94	80	68	68	58	58	47	47		
			Array Edge	94	94	80	80	68	68	94	87	75	75	63	63	94	82	70	70	59	59	94	77	66	66	55	55	93	72	62	62	52	52	91	68	58	58	49	49	90	65	55	55	47	47				
		3 to 10	Array Interior	95	95	95	95	93	95	95	95	95	86	95	95	95	95	95	81	95	95	95	95	95	76	92	95	95	92	95	72	87	95	95	87	95	68	82	95	95	82	92	64	78	95	95			
			Array Edge	95	95	95	95	75	91	95	95	90	95	70	85	95	95	84	94	66	79	95	95	79	88	62	74	91	91	75	83	58	70	86	86	70	78	55	66	81	81	67	74	52	63	61	61		
		10 to 30	Array Interior	85	85	85	85	85	85	85	85	85	81	81	85	85	85	85	76	76	85	85	85	85	72	72	85	85	85	85	67	67	85	85	85	85	64	64	85	85	82	82	61	61	61	61			
			Array Edge	85	85	85	85	71	71	85	85	85	85	66	66	85	85	84	84	62	62	85	85	79	79	58	58	83	83	74	74	55	55	78	78	70	70	52	52	74	74	67	67	49	49				
	C	0 to 3	Array Interior	94	94	85	85	72	72	94	93	79	79	67	67	94	87	74	74	62	62	94	81	69	69	59	59	93	77	65	65	55	55	93	72	62	62	52	52	92	69	59	59	50	50	47	47		
			Array Edge	94	81	69	69	58	58	94	75	64	64	54	54	92	70	60	60	51	51	91	66	56	56	48	48	86	62	53	53	45	45	82	59	50	50	42	42	77	56	48	48	40	40	40	40		
		3 to 10	Array Interior	95	95	95	95	80	95	95	95	95	74	90	95	95	89	95	69	84	95	95	84	93	65	79	95	95	79	88	61	74	91	91	75	83	58	70	86	86	71	79	55	67	60	60			
			Array Edge	95	95	83	93	65	78	94	94	77	86	60	73	88	88	72	81	56	68	83	83	68	76	53	64	78	78	64	71	50	60	74	74	61	67	47	57	70	70	57	64	45	54	52	52		
		10 to 30	Array Interior	85	85	85	85	75	75	85	85	85	85	70	70	85	85	85	85	66	66	85	85	84	84	62	62	85	85	79	79	58	58	83	83	75	75	55	55	79	79	71	71	52	52	52	52		
			Array Edge	85	85	83	83	61	61	85	85	77	77	57	57	80	80	72	72	53	53	76	76	68	68	50	50	71	71	64	64	47	47	67	67	61	61	45	45	64	64	57	57	42	42				
D	0 to 3	Array Interior	98	93	79	79	67	67	98	86	74	74	62	62	98	81	69	69	58	58	98	76	65	65	55	55	96	71	61	61	51	51	94	67	58	58	49	49	89	64	55	55	46	46	46	46			
		Array Edge	97	75	64	64	54	54	96	70	60	60	50	50	91	65	56	56	47	47	85	61	52	52	44	44	80	58	50	50	42	42	76	55	47	47	40	40	72	52	44	44	38	38					
	3 to 10	Array Interior	99	99	96	99	74	90	99	99	89	99	69	84	99	99	83	93	65	78	95	95	78	87	61	73	89	89	74	82	57	69	84	84	70	77	54	65	80	80	66	73	51	62	50	50			
		Array Edge	94	94	77	86	60	73	87	87	72	80	56	68	82	82	67	75	52	63	77	77	63	70	49	60	72	72	60	66	46	56	68	68	56	63	44	53	65	65	54	60	42	50					
	10 to 30	Array Interior	88	88	88	88	70	70	88	88	88	88	65	65	88	88	83	83	61	61	87	87	78	78	57	57	82	82	73	73	54	54	77	77	69	69	51	51	73	73	66	66	49	49					
		Array Edge	86	86	77	77	57	57	80	80	72	72	53	53	75	75	67	67	50	50	70	70	63	63	47	47	66	66	60	60	44	44	63	63	56	56	42	42	59										





Maximum Rail Spans (Inches)			Everest Solar 48-X Flush-Mount Dual Rail, Open Mono Slope Roof 0-30ft, 72 Cell(L) Rail Only																																													
Ground Snow Load	Exposure Category	Panel Angle	Wind Speed ->	95 mph			100 mph			105 mph			110 mph			115 mph			120 mph			130mph			140 mph			150 mph			160 mph			170 mph			180 mph			190 mph			200 mph					
			Roof Zone ->	1	2	3	1	2	3	1	2	3	1	2	3	1	2	3	1	2	3	1	2	3	1	2	3	1	2	3	1	2	3	1	2	3	1	2	3	1	2	3	1	2	3			
0 psf	B	0 to 7.5	Array Interior	112	101	92	110	98	89	107	96	86	104	93	83	102	91	80	100	89	78	95	84	74	91	81	70	88	77	65	84	74	61	81	71	57	78	67	54	76	64	51	73	61	48	71	58	45
		Array Edge	101	90	80	98	88	77	96	85	74	93	83	72	91	80	69	89	78	66	84	75	61	81	70	56	77	66	52	74	62	49	71	58	46	67	55	44	64	52	41	61	50	39				
		7.5 to 15	Array Interior	110	98	90	107	95	88	104	93	85	101	90	83	99	88	81	96	86	78	92	82	75	88	78	70	85	75	66	81	71	62	78	67	58	76	64	55	73	60	52	70	57	50	67	54	47
		Array Edge	98	87	80	95	85	77	93	82	75	90	80	73	88	78	70	86	76	67	82	71	62	78	67	58	75	62	54	71	59	51	67	55	48	64	52	45	63	50	43	60	48	41				
	15 to 30	Array Interior	100	89	81	97	86	79	94	83	76	92	81	74	89	79	71	87	77	69	83	73	64	79	68	59	76	64	55	73	60	52	68	56	49	65	53	46	62	51	44	59	48	42	56	45	39	
	Array Edge	89	78	71	86	76	67	83	73	64	81	70	61	79	68	59	77	65	56	73	60	52	68	56	49	64	52	45	60	49	43	56	46	40	53	44	38	51	41	36	48	39	34					
	30 to 45	Array Interior	101	89	82	98	86	79	95	84	77	92	81	74	90	79	72	87	77	69	83	73	64	79	68	59	76	64	55	73	60	52	69	57	49	65	53	46	62	51	44	59	48	42	56	45	39	
	Array Edge	89	79	71	86	76	68	84	74	64	81	71	62	79	68	59	77	65	57	73	60	52	68	56	49	64	52	45	60	49	43	57	46	40	53	44	38	51	41	36	48	39	34					
	C	0 to 7.5	Array Interior	103	92	82	100	89	79	98	87	76	95	84	74	93	82	71	90	80	69	86	76	63	82	73	58	79	68	54	76	64	51	73	60	48	69	57	45	66	54	43	63	52	40	60	49	37
		Array Edge	92	82	71	89	79	67	87	77	64	84	75	61	82	72	58	80	69	56	76	64	51	73	60	47	68	56	44	64	53	41	60	50	39	57	47	37	54	44	35	52	42	33				
		7.5 to 15	Array Interior	100	89	82	97	86	79	95	84	77	92	82	75	90	79	72	87	77	69	83	74	64	80	69	60	76	64	56	73	61	53	69	57	50	66	54	47	62	51	44	59	49	42	56	45	39
		Array Edge	89	79	71	86	76	68	84	74	65	82	71	62	79	68	60	77	66	57	74	61	53	69	57	49	64	53	46	61	50	43	57	47	41	54	44	38	51	42	36	49	40	35				
15 to 30	Array Interior	90	80	73	88	77	70	85	75	66	83	73	63	80	70	61	78	67	58	75	62	54	70	58	50	66	54	47	62	51	44	58	48	41	55	45	39	52	43	37	50	41	35					
Array Edge	80	69	60	77	66	57	75	63	55	73	60	52	70	57	50	67	55	48	62	51	44	58	47	41	54	44	38	51	41	36	48	39	34	45	37	32	43	35	30	41	33	29						
30 to 45	Array Interior	91	80	73	88	78	70	86	75	67	83	73	64	81	70	61	79	67	59	75	62	54	71	58	50	66	54	47	62	51	44	58	48	41	55	45	39	52	43	37	50	41	35					
Array Edge	80	69	60	78	66	57	75	63	55	73	60	52	70	58	50	67	55	48	62	51	44	58	47	41	54	44	38	51	41	36	48	39	34	45	37	32	43	35	30	41	33	29						
D	0 to 7.5	Array Interior	99	88	77	96	85	74	93	83	72	91	80	69	88	78	67	86	76	63	82	72	58	78	67	54	75	62	50	72	59	47	68	56	44	64	53	41	61	50	39	58	47	37	55	44	34	
	Array Edge	88	77	65	85	75	61	83	73	58	80	70	56	78	67	53	76	64	51	72	59	47	67	55	43	63	52	40	59	48	38	56	46	36	53	43	34	50	41	32	47	39	30					
	7.5 to 15	Array Interior	95	85	78	93	82	75	90	80	73	88	77	70	85	75	67	83	73	64	79	68	59	76	63	55	72	59	52	68	56	48	64	53	46	61	50	43	57	47	41	55	45	39				
	Array Edge	85	75	66	82	72	63	80	69	60	77	66	57	75	63	55	73	61	53	68	56	49	63	52	45	59	49	42	56	46	40	53	43	37	50	41	35	47	38	33	45	36	32					
15 to 30	Array Interior	86	76	67	83	73	64	81	70	61	79	67	58	76	64	56	74	62	54	70	57	50	65	53	46	61	50	43	57	47	40	54	44	38	51	42	36	48	39	34	46	37	32					
Array Edge	76	64	55	73	61	53	70	58	50	67	55	48	64	53	46	62	51	44	57	47	41	53	44	38	50	41	35	47	38	33	44	36	31	42	34	29	39	32	28	37	31	26						
30 to 45	Array Interior	86	76	68	84	74	64	81	71	61	79	68	59	77	65	56	75	62	54	70	57	50	65	53	46	61	50	43	57	47	41	54	44	38	51	42	36	48	39	34	46	37	32					
Array Edge	76	64	56	74	61	53	71	58	50	68	55	48	65	53	46	62	51	44	57	47	41	53	44	38	50	41	35	47	38	33	44	36	31	42	34	29	39	32	28	37	31	26						
5 psf	B	0 to 7.5	Array Interior	108	101	92	107	98	89	105	96	86	103	93	83	101	90	80	100	89	78	95	84	74	91	81	70	88	77	65	84	74	61	81	71	57	78	67	54	75	64	51	73	61	48	71	58	45
		Array Edge	101	90	80	98	88	77	96	85	74	93	83	72	91	80	69	89	78	66	84	75	61	81	70	56	77	66	52	74	62	49	71	58	46	67	55	44	64	52	41	61	50	39				
		7.5 to 15	Array Interior	107	98	90	105	95	88	103	93	85	101	90	83	99	88	81	96	86	78	92	82	75	88	78	70	85	75	66	81	71	62	78	67	58	76	64	55	73	60	52	70	57	50			
		Array Edge	98	87	80	95	85	77	93	82	75	90	80	73	88	78	70	86	76	67	82	71	62	78	67	58	75	62	54	71	59	51	67	55	48	64	52	45	60	50	43	57	47	41				
	15 to 30	Array Interior	100	89	81	97	86	79	94	83	76	92	81	74	89	79	71	87	77	69	83	73	64	79	68	59	76	64	55	73	60	52	68	56	49	65	53	46	62	51	44	59	48	42	56	45	39	
	Array Edge	89	78	71	86	76	67	83	73	64	81	70	61	79	68	59	77	65	56	73	60	52	68	56	49	64	52	45	60	49	43	57	46	40	53	44	38	51	41	36	48	39	34					
	30 to 45	Array Interior	101	89	82	98	86	79	95	84	77	92	81	74	90	79	72	87	77	69	83	73	64	79	68	59	76	64	55	73	60	52	69	57	49	65	53	46	62	51	44	59	48	42	56	45	39	
	Array Edge	89	79	71	86	76	68	84	74	64	81	71	62	79	68	59	77	65	57	73	60	52	68	56	49	64	52	45	60	49	43	57	46	40	53	44	38	51	41	36	48	39	34					
	C	0 to 7.5	Array Interior	102	92	82	100	89	79	98	87	76	95	84	74	93	82	71	90	80	69	86	76	63	82	73	58	79	68	54	76	64	51	73	60	48	69	57	45	66	54	43	63	52	40	60	49	37
		Array Edge	92	82	71	89	79	67	87	77	64	84	75	61	82	72	58	80	69	56	76	64	51	73	60	47	68	56	44	64	53	41	60	50	39	57	47	37	54	44	35	52	42	33				
		7.5 to 15	Array Interior	100	89	82	97	86	79	95	84	77	92	82	75	90	79	72	87	77	69	83	74	64	80	69	60	76	64</																			



Maximum Rail Spans (Inches)			Everest Solar 48-X Flush-Mount Dual Rail, Open Mono Slope Roof 0-30ft, 72 Cell(L) Rail Only																																										
Ground Snow Load	Exposure Category	Panel Angle	Wind Speed ->	95 mph			100 mph			105 mph			110 mph			115 mph			120 mph			130mph			140 mph			150 mph			160 mph			170 mph			180 mph			190 mph			200 mph		
			Roof Zone ->	1	2	3	1	2	3	1	2	3	1	2	3	1	2	3	1	2	3	1	2	3	1	2	3	1	2	3	1	2	3	1	2	3	1	2	3	1	2	3			
15 psf	B	0 to 7.5	Array Interior	94	89	86	93	88	84	92	87	83	91	85	81	90	84	80	89	83	78	86	80	74	84	78	70	82	76	65	80	74	61	78	71	57	76	67	54	75	64	51	73	61	48
			Array Edge	89	84	79	88	82	77	87	81	74	85	79	72	84	78	69	83	76	66	80	74	61	78	70	56	76	66	52	74	62	49	71	58	46	64	52	41	61	50	39			
		7.5 to 15	Array Interior	94	89	84	93	87	83	91	86	81	90	84	80	89	83	78	88	82	75	85	79	74	83	77	70	81	74	66	79	71	62	77	67	58	75	64	55	73	60	52	70	57	50
			Array Edge	89	83	78	87	81	76	86	79	75	84	78	73	83	76	70	82	75	67	79	71	62	77	67	58	74	62	54	71	59	51	67	55	48	64	52	45	63	50	43	57	47	41
		15 to 30	Array Interior	96	88	81	94	86	79	92	83	76	91	81	74	89	79	71	87	77	69	83	73	64	79	68	59	76	64	55	73	60	52	68	56	49	65	53	46	62	51	44	59	48	42
			Array Edge	88	78	71	86	76	67	83	73	64	81	70	61	79	68	59	77	65	56	73	60	52	68	56	49	64	52	45	60	49	43	56	46	40	53	44	38	51	41	36	48	39	34
	30 to 45	Array Interior	101	89	82	98	86	79	95	84	77	92	81	74	90	79	72	87	77	69	83	73	64	79	68	59	76	64	55	73	60	52	69	57	49	65	53	46	62	51	44	59	48	42	
		Array Edge	89	79	71	86	76	68	84	74	64	81	71	62	79	68	59	77	65	57	73	60	52	68	56	49	64	52	45	60	49	43	57	46	40	53	44	38	51	41	36	48	39	34	
	C	0 to 7.5	Array Interior	90	85	80	89	83	79	88	82	76	86	80	74	85	79	71	84	78	69	81	75	63	79	72	58	77	68	54	75	64	51	73	60	48	69	57	45	66	54	43	63	52	40
			Array Edge	85	79	71	83	77	67	82	75	64	80	74	61	79	72	58	78	69	56	75	64	51	72	60	47	68	56	44	64	53	41	60	50	39	57	47	37	54	44	35	52	42	33
		7.5 to 15	Array Interior	90	84	79	88	82	77	87	80	76	85	79	74	84	78	72	83	76	69	80	73	64	78	69	60	75	64	56	73	61	53	69	57	50	66	54	47	62	51	44	59	49	43
			Array Edge	84	77	71	82	75	68	80	74	65	79	71	62	78	68	60	76	66	57	73	61	53	69	57	49	64	53	46	61	50	43	57	47	41	54	44	38	51	42	36	49	40	35
15 to 30		Array Interior	90	80	73	88	77	70	85	75	66	83	73	63	80	70	61	78	67	58	75	62	54	70	58	50	66	54	47	62	51	44	58	48	41	55	45	39	52	43	37	50	41	35	
		Array Edge	80	69	60	77	66	57	75	63	55	73	60	52	70	57	50	67	55	48	62	51	44	58	47	41	54	44	38	51	42	36	48	39	34	45	37	32	43	35	30	41	33	29	
30 to 45	Array Interior	91	80	73	88	78	70	86	75	67	83	73	64	81	70	61	79	67	59	75	62	54	71	58	50	66	54	47	62	51	44	58	48	41	55	45	39	52	43	37	50	41	35		
	Array Edge	80	69	60	78	66	57	75	63	55	73	60	52	70	58	50	67	55	48	62	51	44	58	47	41	54	44	38	51	42	36	48	39	34	45	37	32	43	35	30	41	33	29		
D	0 to 7.5	Array Interior	88	82	77	87	81	74	85	79	72	84	78	69	83	76	66	81	75	63	79	72	58	76	67	54	74	63	50	71	59	47	68	56	44	64	53	41	61	50	39	58	47	37	
		Array Edge	82	76	65	81	74	61	79	72	58	78	70	56	76	67	53	75	64	51	72	59	47	67	55	43	63	52	40	59	48	38	56	46	36	53	43	34	50	41	32	47	39	30	
	7.5 to 15	Array Interior	87	81	76	86	79	75	84	78	73	83	76	70	81	75	67	80	73	64	77	68	59	75	63	55	72	59	52	68	56	48	64	53	46	61	50	43	57	47	41	55	45	39	
		Array Edge	81	74	66	79	72	63	78	69	60	76	66	57	75	63	55	73	61	53	68	56	49	63	52	45	59	49	42	56	46	40	53	44	37	50	41	35	47	38	33	45	36	32	
	15 to 30	Array Interior	86	76	67	83	73	64	81	70	61	79	67	58	76	64	56	74	62	54	70	57	50	65	53	46	61	50	43	57	47	40	54	44	38	51	42	36	48	39	34	46	37	32	
		Array Edge	76	64	55	73	61	53	70	58	50	67	55	48	64	53	46	62	51	44	57	47	41	53	44	38	50	41	35	47	38	33	44	36	31	42	34	29	39	32	28	37	31	26	
30 to 45	Array Interior	86	76	68	84	74	64	81	71	61	79	68	59	77	65	56	75	62	54	70	57	50	65	53	46	61	50	43	57	47	41	54	44	38	51	42	36	48	39	34	46	37	32		
	Array Edge	76	64	56	74	61	53	71	58	50	68	55	48	65	53	46	62	51	44	57	47	41	53	44	38	50	41	35	47	38	33	44	36	31	42	34	29	39	32	28	37	31	26		
20 psf	B	0 to 7.5	Array Interior	89	85	81	88	84	80	87	82	79	86	81	77	85	80	76	84	79	75	82	77	72	80	74	68	78	72	65	76	69	62	73	64	55	70	60	52	68	57	50			
			Array Edge	85	81	77	84	79	75	83	78	74	82	77	72	81	75	69	80	74	66	78	71	61	76	68	56	74	65	52	71	62	49	68	58	46	66	55	44	63	52	41	61	50	39
		7.5 to 15	Array Interior	89	85	81	88	84	80	87	82	79	86	81	77	85	80	76	84	79	75	82	77	72	80	74	68	78	72	65	76	69	62	73	64	55	70	60	52	68	57	50			
			Array Edge	85	80	76	84	78	74	82	77	72	81	76	70	80	74	68	79	73	66	77	69	62	74	66	58	72	62	54	69	59	51	66	55	48	64	52	45	62	51	44	59	48	42
		15 to 30	Array Interior	93	86	81	91	84	79	90	83	76	88	81	74	87	79	71	85	77	69	82	73	64	79	68	59	76	64	55	73	60	52	68	56	49	65	53	46	62	51	44	59	48	42
			Array Edge	86	78	71	84	76	67	83	73	64	81	70	61	79	68	59	77	65	56	73	60	52	68	56	49	64	52	45	60	49	43	56	46	40	53	44	38	51	41	36	48	39	34
	30 to 45	Array Interior	101	89	82	98	86	79	95	84	77	92	81	74	90	79	72	87	77	69	83	73	64	79	68	59	76	64	55	73	60	52	69	57	49	65	53	46	62	51	44	59	48	42	
		Array Edge	89	79	71	86	76	68	84	74	64	81	71	62	79	68	59	77	65	57	73	60	52	68	56	49	64	52	45	60	49	43	57	46	40	53	44	38	51	41	36	48	39	34	
	C	0 to 7.5	Array Interior	86	81	78	85	80	76	84	79	75	83	78	74	82	76	71	81	75	69	79	73	63	77	69	58	75	66	54	73	63	51	70	60	48	67	57	45	65	54	43	63	52	40
			Array Edge	81	76	71	80	75	67	79	73	64	78	71	61	76	69	58	75	67	56	73	64	51	69	60	47	66	56	44	63	53	41	60	50	39	57	47	37	54	44	35	52	42	33
		7.5 to 15	Array Interior	86	81	77	84	79	75	83	78	74	82	77	72	81	75	70	80	74	68	78	71	64	75	67	60	73	64	56	70	61	53	68	57	50	65	54	47	62	51	44	59	49	43
			Array Edge	81	75	69	79	73	67	78	71	65	77	69	62	75	67	60	74	65	57	71	61	53	67	57																			

Maximum Rail Spans (Inches)			Everest Solar 48-X Flush-Mount Dual Rail, Open Mono Slope Roof 0-30ft, 72 Cell(L) Rail Only																																																
Ground Snow Load	Exposure Category	Panel Angle	Wind Speed -> Roof Zone ->	95 mph			100 mph			105 mph			110 mph			115 mph			120 mph			130mph			140 mph			150 mph			160 mph			170 mph			180 mph			190 mph			200 mph								
				1	2	3	1	2	3	1	2	3	1	2	3	1	2	3	1	2	3	1	2	3	1	2	3	1	2	3	1	2	3	1	2	3	1	2	3	1	2	3	1	2	3						
30 psf	B	0 to 7.5	Array Interior	88	85	82	88	84	80	87	83	79	86	81	78	85	80	77	84	79	76	82	77	73	81	75	70	79	73	65	77	71	61	75	68	57	74	65	54	72	63	51	70	61	48	39					
			Array Edge	85	80	76	84	79	75	83	78	74	81	76	72	80	75	69	79	74	66	77	71	61	75	67	56	73	64	52	71	62	49	68	58	46	65	55	44	63	52	41	61	50	38						
		7.5 to 15	Array Interior	88	84	81	87	83	79	86	82	78	85	81	77	85	80	76	84	78	74	82	76	71	80	74	68	78	72	62	74	65	58	71	62	54	69	59	51	66	56	48	63	52	45	60	50	43	57	47	40
			Array Edge	84	79	75	83	78	74	82	76	72	81	75	70	80	74	68	78	72	66	76	69	62	74	65	58	71	62	54	69	59	51	66	56	48	63	52	45	60	50	43	57	47	40						
		15 to 30	Array Interior	88	82	78	87	81	76	85	79	75	84	78	73	83	76	71	81	75	69	79	72	64	77	68	59	74	64	55	72	60	52	68	56	49	64	52	45	60	49	43	58	46	40	53	44	36	48	39	34
			Array Edge	82	76	70	81	74	67	79	73	64	78	70	61	76	68	59	75	65	56	72	60	52	68	56	49	74	62	52	68	56	49	64	52	45	60	49	43	58	46	40	53	44	36	48	39	34			
	30 to 45	Array Interior	99	89	82	96	86	79	94	84	77	92	81	74	90	79	72	87	77	69	83	73	64	79	68	59	76	64	55	73	60	52	69	57	49	65	53	46	62	51	44	62	51	44	59	48	42				
		Array Edge	89	79	71	86	76	68	84	74	64	81	71	62	79	68	59	77	65	57	73	60	52	68	56	49	64	52	45	60	49	43	57	46	40	53	44	38	51	41	36	48	39	34							
	Array Edge	81	76	71	80	74	67	88	73	64	77	71	61	76	69	58	75	67	56	72	63	51	69	60	47	66	56	44	63	53	41	60	50	39	57	47	37	54	44	35	52	42	33								
	7.5 to 15	Array Interior	85	80	76	84	79	75	83	77	73	82	76	71	80	75	69	79	74	67	77	70	64	75	67	60	73	64	56	70	61	53	67	57	50	65	54	47	62	51	44	58	48	41	55	45	49	49	40		
		Array Edge	80	75	69	79	73	67	77	71	64	76	69	62	75	67	60	74	65	57	70	61	53	67	57	49	64	53	46	61	50	43	57	47	41	54	44	38	51	42	36	49	40	35							
	15 to 30	Array Interior	83	77	72	82	75	69	80	74	66	79	72	63	77	70	61	76	67	58	73	62	54	70	58	50	66	54	47	62	51	44	58	48	41	55	45	39	52	43	37	50	41	35							
Array Edge		77	69	60	75	66	57	74	63	55	72	60	52	70	57	50	67	55	48	62	51	44	58	47	41	53	44	38	51	41	36	48	39	34	45	37	32	43	35	30	41	33	29								
30 to 45	Array Interior	91	80	73	88	78	70	86	75	67	83	73	64	81	70	61	79	67	59	75	62	54	71	58	50	67	54	47	62	51	44	58	48	41	55	45	39	52	43	37	50	41	35								
	Array Edge	80	69	60	78	66	57	75	63	55	73	60	52	70	58	50	67	55	48	62	51	44	58	47	41	53	44	38	51	42	36	48	39	34	45	37	32	43	35	30	41	33	29								
Array Edge	79	74	65	78	72	61	77	69	58	75	67	56	74	65	53	73	63	51	69	59	47	66	55	43	62	52	40	59	48	38	56	46	36	53	43	34	50	41	32	47	39	30									
7.5 to 15	Array Interior	84	78	74	82	77	72	81	75	70	80	74	68	79	72	66	77	71	64	75	67	59	73	63	55	70	59	52	67	56	48	64	53	46	61	50	43	57	47	41	55	45	49	55	45	39					
	Array Edge	78	72	65	77	70	63	75	67	60	74	65	57	72	63	55	71	61	53	67	56	49	63	52	45	59	49	42	56	46	40	53	43	37	50	41	35	47	38	33	45	36	32								
15 to 30	Array Interior	82	75	67	80	73	64	79	70	61	77	67	58	76	64	56	74	62	54	70	57	50	65	53	46	61	50	43	57	47	40	54	44	38	51	42	36	48	39	34	46	37	32								
	Array Edge	75	64	55	73	61	53	70	58	50	67	55	48	64	53	46	62	51	44	57	47	41	53	44	38	50	41	35	47	38	33	44	36	31	42	34	29	39	32	28	37	31	26								
30 to 45	Array Interior	86	76	68	84	74	64	81	71	61	79	68	59	77	65	56	75	62	54	70	57	50	65	53	46	61	50	43	57	47	41	54	44	38	51	42	36	48	39	34	46	37	32								
	Array Edge	76	64	56	74	61	53	71	58	50	68	55	48	62	51	44	57	47	41	53	44	38	50	41	35	47	38	33	44	36	31	42	34	29	39	32	28	37	31	26											
Array Edge	82	78	75	81	77	73	80	76	72	79	75	70	78	74	68	77	72	66	76	69	61	74	66	56	71	63	52	69	60	49	66	58	46	64	55	44	62	52	41	60	50	39									
7.5 to 15	Array Interior	86	82	79	85	81	78	84	80	76	83	79	75	82	78	74	81	77	73	80	75	70	78	72	66	76	70	64	75	67	61	73	64	58	70	62	55	68	60	52	66	57	50								
	Array Edge	82	77	74	81	76	72	80	75	70	79	74	68	78	72	66	77	70	64	75	67	61	72	64	58	70	61	54	67	58	51	64	55	48	62	52	45	60	50	43	57	47	41								
15 to 30	Array Interior	86	81	77	85	79	75	83	78	74	82	76	72	81	75	69	80	74	67	78	70	64	75	67	59	73	64	55	70	60	52	67	56	49	65	53	46	61	51	44	59	48	42								
	Array Edge	81	75	69	79	73	67	83	78	71	64	76	69	61	75	67	59	74	65	56	70	60	52	67	56	49	64	52	45	60	49	43	56	46	40	53	44	38	51	41	36	48	39	34							
30 to 45	Array Interior	97	89	82	95	86	79	93	84	77	91	81	74	90	79	72	87	77	69	83	73	64	79	68	59	76	64	55	73	60	52	69	57	49	65	53	46	62	51	44	59	48	42								
	Array Edge	89	79	71	86	76	68	84	74	64	81	71	62	79	68	59	77	65	57	73	60	52	68	56	49	64	52	45	60	49	43	57	46	40	53	44	38	51	41	36	48	39	34								
Array Edge	79	74	69	78	73	67	77	71	64	76	69	61	74	67	58	73	65	56	70	62	51	67	59	47	64	56	44	62	53	41	59	50	39	57	47	37	54	44	35	52	42	33									
7.5 to 15	Array Interior	83	78	75	82	77	73	81	76	71	80	75	70	79	73	68	78	72	66	76	69	63	74	65	59	71	63	56	68	60	53	66	57	50	63	54	47	61	51	44	59	49	42								
	Array Edge	78	73	67	77	71	65	76	69	63	75	67	61	73	65	59	72	63	57	69	60	53	65	57	49	63	53	46	60	50	43	57	47	41	54	44	38	51	42	36	49	40	35								
15 to 30	Array Interior	82	76	71	80	74	68	79</																																											

Maximum Rail Spans (Inches)			Everest Solar 48-X Flush-Mount Dual Rail, Open Mono Slope Roof 0-30ft, 72 Cell(L) Rail Only																																										
Ground Snow Load	Exposure Category	Panel Angle	Wind Speed -> Roof Zone ->	95 mph			100 mph			105 mph			110 mph			115 mph			120 mph			130mph			140 mph			150 mph			160 mph			170 mph			180 mph			190 mph			200 mph		
				1	2	3	1	2	3	1	2	3	1	2	3	1	2	3	1	2	3	1	2	3	1	2	3	1	2	3	1	2	3	1	2	3	1	2	3	1	2	3	1	2	3
45 psf	B	0 to 7.5	Array Interior	80	78	76	80	77	75	80	77	74	79	76	73	78	75	72	78	74	70	76	72	68	75	70	65	74	68	63	72	65	60	70	63	57	68	61	54	67	59	51	65	57	48
			Array Edge	78	75	71	77	74	70	77	73	68	76	71	66	75	70	65	74	68	63	72	66	60	70	63	56	68	60	52	65	58	49	63	56	46	61	54	44	59	52	41	57	50	39
		7.5 to 15	Array Interior	81	78	76	81	77	75	80	76	74	79	76	72	78	75	71	78	74	69	76	71	66	75	69	64	73	66	61	71	64	59	69	62	56	67	60	54	65	58	52	63	56	50
			Array Edge	78	74	70	77	73	69	76	72	67	76	70	65	75	69	63	74	67	62	71	64	59	69	61	56	66	59	53	64	56	51	62	54	48	60	52	45	58	50	43	56	47	41
		15 to 30	Array Interior	82	78	74	81	77	73	80	75	71	79	74	69	78	73	67	77	71	65	75	68	62	73	65	59	70	62	55	68	59	52	65	56	49	63	53	46	60	51	44	58	48	42
			Array Edge	78	72	66	77	70	64	75	68	62	74	66	60	73	64	58	71	63	56	68	59	52	65	56	49	62	52	45	59	49	43	65	46	40	53	44	38	51	41	36	48	39	34
	30 to 45	Array Interior	95	87	82	93	85	79	91	83	77	89	81	74	88	79	69	86	77	69	83	73	64	79	68	59	83	73	64	79	68	59	76	64	55	73	60	52	69	57	49	65	53	46	
		Array Edge	87	79	71	85	76	68	83	74	64	81	71	62	79	68	59	77	65	57	73	60	52	68	56	49	64	52	45	60	49	43	67	59	51	65	57	48	62	55	46	62	51	44	
	C	0 to 7.5	Array Interior	79	75	72	78	74	71	77	74	69	76	72	68	76	71	66	75	70	65	74	68	63	73	67	62	71	64	58	69	62	54	67	59	51	65	57	48	62	55	45	61	53	43
			Array Edge	75	71	66	74	69	64	74	67	62	72	66	60	71	64	58	70	62	56	67	60	51	64	57	47	62	54	47	59	52	41	57	50	39	55	47	37	53	44	35	51	42	33
		7.5 to 15	Array Interior	79	75	71	78	74	70	77	73	68	76	71	66	75	70	65	74	68	63	73	65	60	70	63	57	68	60	55	65	58	52	63	55	48	62	55	47	61	53	44	59	51	44
			Array Edge	75	69	64	74	68	62	73	66	61	71	64	59	70	63	57	68	61	55	65	58	52	63	55	49	60	52	46	58	50	43	55	47	41	53	44	38	51	42	36	49	40	35
15 to 30		Array Interior	79	74	68	77	72	66	76	70	64	75	68	62	74	66	60	72	64	58	69	61	54	66	58	50	63	54	47	60	51	44	58	48	41	55	45	39	52	43	37	50	41	35	
		Array Edge	74	65	59	72	63	57	70	61	55	68	59	52	66	57	50	64	55	48	61	51	44	58	47	41	54	44	38	51	41	36	48	39	34	45	37	32	43	35	30	41	33	29	
30 to 45	Array Interior	88	80	73	87	78	70	85	75	67	83	73	64	81	70	61	79	67	59	75	62	54	71	58	50	66	54	47	62	51	44	58	48	41	55	45	39	52	43	37	50	41	35		
	Array Edge	80	69	60	78	66	57	75	63	55	73	60	52	70	58	50	67	55	48	62	51	44	58	47	41	53	44	38	51	42	36	48	39	34	45	37	32	43	35	30	41	33	29		
D	0 to 7.5	Array Interior	79	75	72	78	74	70	77	73	68	77	72	66	76	70	65	75	68	63	73	65	58	70	62	54	68	60	50	65	57	47	63	55	44	61	53	41	58	50	39	56	47	37	
		Array Edge	75	69	64	74	68	61	73	66	58	72	64	56	70	62	53	68	61	51	65	57	47	62	55	43	60	52	40	57	48	38	55	46	36	53	43	34	50	41	32	47	39	30	
	7.5 to 15	Array Interior	79	75	70	78	74	68	77	72	66	76	70	65	75	68	63	74	67	61	72	64	58	69	61	55	68	58	52	63	55	48	61	53	46	59	50	43	57	47	41	55	45	39	
		Array Edge	75	68	62	74	66	60	72	64	58	70	62	56	68	60	55	67	59	53	64	56	49	61	52	45	58	49	42	55	46	40	53	43	37	50	41	35	47	38	33	45	36	32	
	15 to 30	Array Interior	78	72	65	77	70	63	75	67	61	74	65	58	72	63	56	70	61	54	67	57	50	64	53	46	61	50	43	57	47	40	54	44	38	51	42	36	48	39	34	46	37	32	
		Array Edge	72	63	55	70	61	53	67	58	50	65	55	48	63	53	46	61	51	44	57	47	41	53	44	38	50	41	35	47	38	33	44	36	31	42	34	29	39	32	28	37	31	26	
30 to 45	Array Interior	86	76	68	84	74	64	81	71	61	79	68	59	77	65	56	75	62	54	70	57	50	65	53	46	61	50	43	57	47	41	54	44	38	51	42	36	48	39	34	46	37	32		
	Array Edge	76	64	56	74	61	53	71	58	50	68	55	48	65	53	46	62	51	44	57	47	41	53	44	38	50	41	35	47	38	33	44	36	31	42	34	29	39	32	28	37	31	26		
50 psf	B	0 to 7.5	Array Interior	79	75	72	78	74	70	77	73	68	77	72	66	76	70	65	75	68	63	73	65	58	70	62	54	68	60	50	65	57	47	63	55	44	61	53	41	58	50	39	56	47	37
			Array Edge	75	69	64	74	68	61	73	66	58	72	64	56	70	62	53	68	61	51	65	57	47	62	55	43	60	52	40	57	48	38	55	46	36	53	43	34	50	41	32	47	39	30
		7.5 to 15	Array Interior	79	75	70	78	74	68	77	72	66	76	70	65	75	68	63	74	67	61	72	64	58	69	61	55	68	58	52	63	55	48	61	53	46	59	50	43	57	47	41	55	45	39
			Array Edge	75	68	62	74	66	60	72	64	58	70	62	56	68	60	55	67	59	53	64	56	49	61	52	45	58	49	42	55	46	40	53	43	37	50	41	35	47	38	33	45	36	32
		15 to 30	Array Interior	78	72	65	77	70	63	75	67	61	74	65	58	72	63	56	70	61	54	67	57	50	64	53	46	61	50	43	57	47	40	54	44	38	51	42	36	48	39	34	46	37	32
			Array Edge	72	63	55	70	61	53	67	58	50	65	55	48	63	53	46	61	51	44	57	47	41	53	44	38	50	41	35	47	38	33	44	36	31	42	34	29	39	32	28	37	31	26
	30 to 45	Array Interior	86	76	68	84	74	64	81	71	61	79	68	59	77	65	56	75	62	54	70	57	50	65	53	46	61	50	43	57	47	41	54	44	38	51	42	36	48	39	34	46	37	32	
		Array Edge	76	64	56	74	61	53	71	58	50	68	55	48	65	53	46	62	51	44	57	47	41	53	44	38	50	41	35	47	38	33	44	36	31	42	34	29	39	32	28	37	31	26	
	C	0 to 7.5	Array Interior	77	74	70	76	73	69	76	72	67	75	70	66	74	69	65	73	68	63	71	65	60	69	63	58	67	61	54	65	58	51	63	56	48	61	54	45	59	52	43	58	50	40
			Array Edge	74	69	64	73	67	63	72	66	61	70	64	59	69	63	58	68	61	56	65	58	51	63	56	47	61	53	44	58	51	41	56	49	39	54	47	37	52	44	35	50	42	33
		7.5 to 15	Array Interior	77	74	70	76	72	68	75	71	66	75	70	65	74	68	63	73	67	62	71	64	59	68	62	56	71	64	59	68	62	54	64	57	52	62	55	49	60	52	47	58	51	44
			Array Edge	74	68	63	72	66	61	71	64	59	70	63	58	68	61	56	67	60	55	64	57	52	62	54	49	59	52	46	57	49	43	55	47	41	52	44	38	51	42	36	49	40	35
15 to 30		Array Interior	77	72	67	76	70	65	75	68	63	74	66	61	73	65	59	71	63	57	68	60	54	65	57	50	62	54	47	60	51	44	57	48	41	55	45	39							

Maximum Rail Spans (Inches)				Everest Solar 48-X Flush-Mount Dual Rail, Open Mono Slope Roof 0-30ft, 72 Cell(L) Rail Only																																																			
Ground Snow Load	Exposure Category	Panel Angle	Wind Speed ->	95 mph			100 mph			105 mph			110 mph			115 mph			120 mph			130mph			140 mph			150 mph			160 mph			170 mph			180 mph			190 mph			200 mph												
			Roof Zone ->	1	2	3	1	2	3	1	2	3	1	2	3	1	2	3	1	2	3	1	2	3	1	2	3	1	2	3	1	2	3	1	2	3	1	2	3	1	2	3													
70 psf	B	0 to 7.5	Array Interior	68	68	67	68	68	66	68	68	65	68	67	64	68	66	63	68	66	62	68	64	61	66	62	59	65	61	57	64	59	55	62	57	53	61	56	52	60	54	50	58	53	48										
			Array Edge	68	66	63	68	65	62	68	64	61	67	63	60	66	62	59	66	61	57	64	59	55	62	57	53	61	55	51	59	53	49	57	52	46	56	50	44	54	48	41	53	47	39										
		7.5 to 15	Array Interior	70	70	67	70	69	66	70	68	65	70	67	64	70	66	63	69	65	62	68	64	60	70	66	62	68	64	60	66	62	58	65	60	54	50	58	52	48	55	49	44	53	47	43	52	45	41						
			Array Edge	70	66	63	69	65	61	68	64	60	67	63	59	66	62	58	65	60	57	64	58	54	62	56	52	60	54	50	58	52	48	54	48	43	52	46	40	49	43	37	46	40	34	43	37	31							
		15 to 30	Array Interior	75	71	67	74	70	66	74	69	64	73	67	63	72	66	61	70	65	60	68	62	57	66	60	55	64	57	52	62	55	50	60	53	48	57	50	45	55	48	43	53	46	40	51	44	36	47	39	34				
			Array Edge	71	66	61	70	64	59	69	62	58	67	61	56	66	59	55	65	58	53	62	55	50	60	53	48	57	50	45	55	48	43	53	46	40	49	43	37	46	40	34	51	44	36	47	39	34							
	30 to 45	Array Interior	89	83	78	88	81	77	86	80	75	85	78	74	86	77	72	82	75	69	80	73	64	77	68	59	75	65	57	73	60	52	68	56	49	64	52	45	72	60	52	69	57	49	65	53	46	62	51	44	59	48	42		
		Array Edge	83	77	71	81	75	68	80	73	64	78	71	62	77	68	59	75	65	57	73	60	52	68	56	49	64	52	45	60	49	43	57	46	40	53	44	38	51	41	36	48	39	34	54	48	42	58	51	45	62	55	49	65	58
	C	0 to 7.5	Array Interior	68	67	64	68	66	63	68	65	62	68	64	61	67	63	59	66	62	58	65	60	56	63	58	54	62	56	52	60	54	50	58	52	46	60	54	50	58	53	48	57	51	45	55	49	43	54	48	40				
			Array Edge	67	63	59	66	61	58	65	60	56	64	59	55	63	58	54	62	57	53	60	55	50	58	52	47	56	50	44	56	50	44	54	48	41	53	47	39	51	45	37	49	43	35	48	42	33	48	42	33				
		7.5 to 15	Array Interior	70	67	64	70	66	62	69	65	61	68	64	60	67	62	59	66	61	58	64	59	55	63	58	54	62	56	52	60	54	50	58	52	46	60	54	50	58	53	48	57	51	45	55	49	43	54	48	40				
			Array Edge	67	62	58	66	61	57	65	60	56	64	58	54	62	57	53	61	56	52	59	53	49	57	51	47	55	49	45	53	47	43	51	45	41	50	43	38	48	42	36	46	40	35	50	43	37	49	41	35				
15 to 30		Array Interior	72	67	62	71	65	60	70	64	59	68	62	57	67	61	56	66	59	54	63	57	52	61	54	49	59	52	47	63	57	52	61	54	49	56	49	44	54	47	41	52	45	39	50	43	37	49	41	35					
		Array Edge	67	60	55	65	59	54	64	57	52	62	55	50	61	54	49	59	52	47	57	50	44	57	50	44	54	47	41	52	44	38	49	41	36	48	41	36	47	39	34	45	37	32	43	35	30	41	33	29					
30 to 45	Array Interior	84	78	73	83	76	70	81	74	67	80	73	64	78	70	61	77	67	59	74	62	54	71	58	50	66	54	47	62	51	44	58	48	41	55	44	38	51	42	36	48	39	34	52	43	37	50	41	35						
	Array Edge	78	69	60	76	66	57	74	63	55	73	60	52	70	58	50	67	55	48	62	51	44	58	47	41	54	47	41	58	47	41	54	44	38	51	42	36	48	39	34	45	37	32	43	35	30	41	33	29						
D	0 to 7.5	Array Interior	72	68	64	71	66	63	70	65	61	69	64	60	68	63	59	67	62	58	65	59	55	63	57	53	62	56	51	59	53	47	57	51	43	55	49	40	53	47	38	51	45	36	49	41	32	46	39	30					
		Array Edge	68	63	59	66	61	57	65	60	56	64	58	54	63	57	53	62	56	51	59	53	47	57	51	43	55	49	40	53	47	38	51	45	36	49	41	32	46	39	30	51	45	36	49	41	32	46	39	30					
	7.5 to 15	Array Interior	72	67	63	71	65	60	70	64	59	68	62	57	67	61	56	66	59	54	63	57	52	61	54	49	59	52	47	63	57	52	61	54	49	56	49	44	54	47	41	52	45	39	50	43	37	49	41	35					
		Array Edge	67	60	55	65	59	54	64	57	52	62	55	50	61	54	49	59	52	47	57	50	44	57	50	44	54	47	41	52	44	38	49	41	36	48	41	36	47	39	34	45	37	32	43	35	30	41	33	29					
	15 to 30	Array Interior	84	78	73	83	76	70	81	74	67	80	73	64	78	70	61	77	67	59	74	62	54	71	58	50	66	54	47	62	51	44	58	48	41	55	44	38	51	42	36	48	39	34	52	43	37	50	41	35					
		Array Edge	78	69	60	76	66	57	74	63	55	73	60	52	70	58	50	67	55	48	62	51	44	58	47	41	54	47	41	58	47	41	54	44	38	51	42	36	48	39	34	45	37	32	43	35	30	41	33	29					
30 to 45	Array Interior	72	68	64	71	66	63	70	65	61	69	64	60	68	63	59	67	62	58	65	59	55	63	57	53	62	56	51	59	53	47	57	51	43	55	49	40	53	47	38	51	45	36	49	41	32	46	39	30						
	Array Edge	68	63	59	66	61	57	65	60	56	64	58	54	63	57	53	62	56	51	59	53	47	57	51	43	55	49	40	53	47	38	51	45	36	49	41	32	46	39	30	51	45	36	49	41	32	46	39	30						
80 psf	B	0 to 7.5	Array Interior	64	64	64	64	64	64	64	62	64	64	62	64	63	61	64	63	60	67	61	58	63	60	57	62	58	55	61	57	53	60	55	52	58	53	50	57	52	48	55	50	46	54	49	44	53	47	41	51	46	39		
			Array Edge	64	63	61	64	62	60	64	61	59	64	61	57	63	60	56	63	59	55	61	57	53	60	55	52	60	55	52	58	53	50	57	52	48	55	50	46	54	49	44	53	47	41	51	46	39	50	44	38	53	47	41	
		7.5 to 15	Array Interior	66	66	64	66	66	63	66	65	63	66	64	62	66	64	61	66	64	61	66	64	61	65	63	60	65	61	58	64	59	56	62	58	54	61	56	52	60	55	51	58	53	49	57	52	48	56	50	46	54	48	40	
			Array Edge	66	63	60	66	62	59	65	61	58	64	60	57	64	59	56	63	58	55	61	56	53	59	54	51	58	53	49	56	51	47	55	49	45	53	47	41	55	49	45	53	48	43	52	46	42	50	44	38				
		15 to 30	Array Interior	73	68	65	72	67	64	71	66	62	70	65	61	69	64	60	68	63	60	66	60	56	64	58	54	62	56	51	60	54	49	58	52	47	56	49	45	54	47	43	52	45	40	50	43	38	48	41	36	47	39	34	
			Array Edge	68	63	59	67	62	58	66	61	56	65	59	55	64	58	53	63	57	52	60	54	49	58	52	47	56	49	43	54	47	41	52	46	40	54	47	41	50	43	38	44	36	48	41	36	47	39	34					
	30 to 45	Array Interior	86	82	77	86	80	76	85	79	74	83	77	72	82	76	70	81	74	68	78	71	64	76	68	59	74	64	57	62	58	53	61	54	48	57	49	43	56	49	43	53	46	40	49	43	38	51	44	38	48	41			
		Array Edge	82	75	70	80	74	67	79	72	64	77	70	62	76	67	59	74	65	57	71	60	52	68	56	49	64	52	45	60	49	43	57	46	40	53	44	38	51	42	36	48	39	34	45	37	32	46	39	34					
	C	0 to 7.5	Array Interior	64	64	61	64	63	60	64	62	59	64	61	58	64	60	57	63	59	56	62	58	54	60	56	52	59	55	51</																									

Maximum Rail Spans (Inches)			Everest Solar 48-X Flush-Mount Dual Rail, Open Mono Slope Roof 0-30ft, 72 Cell(L) Rail Only																																										
Ground Snow Load	Exposure Category	Panel Angle	Wind Speed -> Roof Zone ->	95 mph			100 mph			105 mph			110 mph			115 mph			120 mph			130mph			140 mph			150 mph			160 mph			170 mph			180 mph			190 mph			200 mph		
				1	2	3	1	2	3	1	2	3	1	2	3	1	2	3	1	2	3	1	2	3	1	2	3	1	2	3	1	2	3	1	2	3	1	2	3	1	2	3			
100 psf	B	0 to 7.5	Array Interior	58	58	58	58	58	58	58	58	58	58	58	57	58	58	56	58	58	56	58	57	54	58	56	53	58	54	52	57	53	50	56	52	49	55	51	48	54	50	46	53	49	45
			Array Edge	58	58	56	58	58	55	58	57	55	58	56	54	58	55	53	58	55	52	57	53	50	56	52	49	54	50	47	53	49	46	52	48	44	51	46	43	50	45	41	49	44	39
		7.5 to 15	Array Interior	59	59	59	59	59	59	59	59	58	59	59	57	59	59	56	59	58	56	59	57	54	59	56	53	58	54	51	57	53	50	56	52	48	55	50	47	54	49	46	52	48	44
			Array Edge	59	59	56	59	58	55	59	57	54	59	56	53	59	55	53	58	55	52	57	53	50	56	51	48	54	50	46	53	48	45	52	47	43	50	45	42	49	44	40	48	43	39
		15 to 30	Array Interior	66	64	61	66	63	60	66	62	59	65	61	57	64	60	56	63	59	55	62	57	53	60	55	51	58	53	49	57	51	47	55	50	46	54	48	44	52	47	42	51	45	41
			Array Edge	64	60	56	63	58	55	62	57	53	61	56	52	60	55	51	59	54	50	57	52	47	55	49	45	53	47	43	51	46	41	50	44	40	48	42	38	47	41	36	45	39	34
		30 to 45	Array Interior	80	79	75	80	78	74	80	76	72	80	75	70	79	74	68	78	72	66	76	69	63	74	66	59	72	63	55	69	60	52	66	57	49	64	53	46	61	51	44	59	48	42
			Array Edge	79	74	68	78	72	65	76	69	63	75	67	61	74	65	59	72	64	57	69	60	52	66	56	49	63	52	45	60	49	43	57	46	40	53	44	38	51	41	36	48	39	34
	C	0 to 7.5	Array Interior	58	58	57	58	58	56	58	57	55	58	57	54	58	56	54	58	55	53	57	54	51	56	53	50	55	51	48	54	50	47	53	48	45	52	47	44	50	46	42	49	45	40
			Array Edge	58	56	53	58	55	52	57	54	51	57	53	50	56	52	49	55	52	48	54	50	47	53	48	45	51	47	43	50	45	41	48	44	39	47	42	37	46	41	35	45	39	33
		7.5 to 15	Array Interior	59	59	57	59	58	56	59	58	55	59	57	54	59	56	53	59	55	52	57	54	51	56	52	49	55	51	47	54	49	46	52	48	44	51	46	43	50	45	41	49	44	40
			Array Edge	59	56	53	58	55	52	58	54	51	57	53	50	56	52	49	55	51	48	54	49	46	52	47	44	51	46	42	49	44	40	48	43	39	46	41	37	45	40	36	44	38	35
		15 to 30	Array Interior	64	60	57	63	59	56	62	58	54	62	57	53	61	56	52	60	55	51	58	53	48	56	50	46	54	48	44	52	47	42	51	45	41	49	43	39	48	42	37	46	40	35
			Array Edge	60	55	52	59	54	50	58	53	49	57	52	47	56	50	46	55	49	45	53	47	43	50	45	40	48	43	38	47	41	36	45	39	34	43	37	32	42	35	30	40	33	29
		30 to 45	Array Interior	80	75	69	79	73	67	77	71	65	76	69	63	75	67	61	74	65	59	70	62	54	67	58	50	64	54	47	61	51	44	58	48	41	55	45	39	52	43	37	50	41	35
			Array Edge	75	66	60	73	64	57	71	62	55	69	60	52	67	58	50	65	55	48	62	51	44	58	47	41	54	44	38	51	42	36	48	39	34	45	37	32	43	35	30	41	33	29
	D	0 to 7.5	Array Interior	61	60	58	61	59	57	61	58	56	61	58	55	60	57	54	60	56	53	58	54	51	57	53	49	55	51	47	54	49	46	53	48	44	51	46	41	50	45	39	49	43	37
			Array Edge	60	57	53	59	55	52	58	54	51	58	53	50	57	52	49	56	51	48	54	49	46	53	48	43	51	46	40	49	44	38	48	42	36	46	41	34	45	39	32	43	38	30
		7.5 to 15	Array Interior	63	60	57	63	59	56	62	58	55	61	57	54	60	56	53	60	55	52	58	54	50	57	52	48	55	50	46	54	48	44	52	47	43	51	45	41	49	44	40	48	42	38
			Array Edge	60	56	53	59	55	52	58	54	50	57	53	49	56	52	48	55	51	47	54	49	45	52	47	43	50	45	41	48	43	39	47	41	37	45	40	35	44	38	33	42	36	32
		15 to 30	Array Interior	65	60	56	64	59	55	63	58	53	62	56	52	61	55	51	59	54	49	57	51	47	55	49	45	53	47	43	51	45	40	49	43	38	48	41	36	46	39	34	44	37	32
			Array Edge	60	55	50	59	53	49	58	52	47	56	50	46	55	49	44	54	48	43	51	45	41	49	43	38	47	41	35	45	38	33	43	36	31	41	34	29	39	32	28	37	31	26
		30 to 45	Array Interior	79	73	66	78	71	64	76	68	61	75	66	59	73	64	56	72	62	54	68	57	50	65	53	46	61	50	43	57	47	41	54	44	38	51	42	36	48	39	34	46	37	32
			Array Edge	73	64	56	71	61	53	68	58	50	66	55	48	64	53	46	62	51	44	57	47	41	53	44	38	50	41	35	47	38	33	44	36	31	42	34	29	39	32	28	37	31	26

Maximum Rail Spans (Inches)			Everest Solar 48-X Flush-Mount Dual Rail, Open Mono Slope Roof 0-30ft, 72 Cell(P) Rail Only																																													
Ground Snow Load	Exposure Category	Panel Angle	Wind Speed ->	95 mph		100 mph		105 mph		110 mph		115 mph		120 mph		130mph		140 mph		150 mph		160 mph		170 mph		180 mph		190 mph		200 mph																		
			Roof Zone ->	1	2	3	1	2	3	1	2	3	1	2	3	1	2	3	1	2	3	1	2	3	1	2	3	1	2	3	1	2	3	1	2	3												
0 psf	B	0 to 7.5	Array Interior	90	81	74	88	79	71	86	77	68	84	75	64	82	73	61	80	70	59	76	65	54	73	61	50	69	57	46	65	54	43	62	51	41	58	48	38	56	46	36	53	44	35			
		Array Edge	81	72	61	79	69	58	77	66	55	75	63	52	73	61	50	70	58	47	65	54	44	61	51	40	57	47	38	54	44	35	51	42	33	48	40	31	46	38	30	44	36	28				
		7.5 to 15	Array Interior	88	79	72	86	77	69	83	74	66	81	72	63	79	69	61	77	67	58	74	62	54	70	58	51	65	54	47	62	51	44	58	48	42	55	46	40	53	43	38	50	41	36	48	40	31
		Array Edge	79	69	60	77	65	57	74	63	55	72	60	52	69	58	50	67	55	48	62	51	45	58	48	42	54	45	39	51	42	37	48	40	34	46	37	33	43	36	31	41	34	29				
	15 to 30	Array Interior	80	70	61	78	67	59	76	64	56	74	61	54	71	59	51	68	57	49	63	52	46	59	49	42	55	46	40	52	43	37	49	40	35	47	38	33	44	36	31	42	34	30	40	33	29	
	Array Edge	70	58	51	67	55	48	64	53	46	61	51	44	59	49	42	57	47	41	52	43	38	49	40	35	46	37	33	43	35	30	40	33	29	38	31	27	36	30	26	34	28	24					
	30 to 45	Array Interior	81	71	62	78	68	59	76	65	56	74	62	54	72	59	52	69	57	50	64	53	46	60	49	43	56	46	40	52	43	37	49	41	35	47	38	33	44	36	32	42	35	30	40	33	29	
	Array Edge	71	59	51	68	56	49	65	53	46	62	51	44	59	49	42	57	47	41	53	43	38	49	40	35	46	38	33	43	35	31	41	33	29	38	31	27	36	30	26	35	28	24					
	C	0 to 7.5	Array Interior	83	74	63	81	71	60	78	68	57	76	65	54	74	63	51	72	60	49	67	56	45	63	52	42	59	49	39	56	46	37	53	43	34	50	41	32	47	39	31	45	37	29	43	35	27
		Array Edge	74	62	51	71	59	48	68	57	46	65	54	44	63	52	42	60	50	40	56	46	37	52	43	34	49	40	32	46	38	30	43	36	28	41	34	26	39	32	25	37	30	24				
		7.5 to 15	Array Interior	80	71	62	78	68	59	76	65	57	74	62	54	71	59	52	69	57	50	64	53	46	60	49	43	56	46	40	53	43	38	50	41	36	47	39	34	45	37	32	43	35	30	40	33	29
		Array Edge	71	59	51	68	56	49	65	54	47	62	51	45	59	49	43	57	47	41	53	44	38	49	41	35	46	38	33	43	36	31	41	34	29	39	32	28	37	30	26	35	28	25				
15 to 30	Array Interior	72	60	52	69	57	50	66	55	48	63	52	46	61	50	44	58	48	42	54	45	39	50	41	36	47	39	34	44	36	32	42	34	30	40	32	28	38	31	27	36	29	25	34	28	24		
Array Edge	60	50	43	57	47	41	55	45	39	52	43	37	50	41	36	48	40	34	45	37	32	41	34	29	39	32	27	36	30	26	34	28	24	32	26	22	30	24	21	29	24	21						
30 to 45	Array Interior	73	61	53	70	58	50	67	55	48	64	53	46	61	50	44	59	48	42	54	45	39	51	42	36	47	39	34	45	36	32	42	34	30	40	32	28	38	31	27	36	29	25	34	28	24		
Array Edge	61	50	43	58	47	41	55	45	39	53	43	38	50	41	36	48	40	34	45	37	32	42	34	29	39	32	28	36	30	26	34	28	24	32	26	22	30	24	21									
D	0 to 7.5	Array Interior	79	69	58	77	66	55	75	63	52	72	60	49	70	58	47	67	56	45	62	52	41	58	48	38	55	45	36	51	42	33	49	40	31	46	38	30	44	36	28	42	34	27	40	32	24	
	Array Edge	69	57	47	66	55	44	63	52	42	60	50	40	58	48	38	56	46	37	52	43	34	48	40	31	45	37	29	42	35	27	40	33	26	38	31	24	36	29	23	34	28	22					
	7.5 to 15	Array Interior	77	66	57	74	63	55	72	60	52	69	57	50	66	55	48	64	53	46	59	49	43	55	46	40	52	43	37	49	40	35	46	38	33	43	36	31	41	34	29	39	32	28	37	30	24	
	Array Edge	66	54	47	63	52	45	60	49	43	57	47	41	55	45	39	53	43	38	49	40	35	46	37	32	43	35	30	40	33	28	38	31	27	36	29	25	34	28	24								
15 to 30	Array Interior	67	56	48	64	53	46	61	50	44	59	48	42	56	46	40	54	44	39	50	41	36	47	38	33	44	36	31	41	33	29	39	32	27	36	30	26	35	28	24	33	27	23					
Array Edge	56	46	40	53	44	38	50	42	36	48	40	34	46	38	33	44	36	32	41	34	29	38	31	27	36	29	25	33	27	24	32	26	22	30	24	21	29	24	21									
30 to 45	Array Interior	68	56	49	64	53	46	62	51	44	59	49	42	56	46	40	54	45	39	50	41	36	47	38	33	44	36	31	41	34	29	39	32	27	37	30	26	35	28	24	33	27	23					
Array Edge	56	46	40	53	44	38	51	42	36	49	40	35	46	38	33	45	37	32	41	34	29	38	31	27	36	29	25	34	27	24	32	26	22	30	24	21												
5 psf	B	0 to 7.5	Array Interior	87	81	74	86	77	69	83	74	66	81	73	64	81	73	61	80	70	59	76	65	54	73	61	50	69	57	46	65	54	43	62	51	41	58	48	38	56	46	36	53	44	35			
		Array Edge	81	72	61	79	69	58	77	66	55	75	63	52	73	61	50	70	58	47	65	54	44	61	51	40	57	47	38	54	44	35	51	42	33	48	40	31	46	38	30	44	36	28				
		7.5 to 15	Array Interior	86	79	72	84	77	69	83	74	66	81	72	63	79	69	61	77	67	58	74	62	54	70	58	51	65	54	47	62	51	44	58	48	42	55	46	40	53	43	38	50	41	36	48	40	31
		Array Edge	79	69	60	77	65	57	74	63	55	72	60	52	69	58	50	67	55	48	62	51	45	58	48	42	54	45	39	51	42	37	48	40	34	46	37	33	43	36	31	41	34	29				
	15 to 30	Array Interior	80	70	61	78	67	59	76	64	56	74	61	54	71	59	51	68	57	49	63	52	46	59	49	42	55	46	40	52	43	37	49	40	35	47	38	33	44	36	31	42	34	30	40	33	29	
	Array Edge	70	58	51	67	55	48	64	53	46	61	51	44	59	49	42	57	47	41	52	43	37	49	40	35	46	37	33	43	35	30	40	33	29	38	31	27	36	30	26	34	28	24					
	30 to 45	Array Interior	81	71	62	78	68	59	76	65	56	74	62	54	72	59	52	69	57	50	64	53	46	60	49	43	56	46	40	52	43	37	49	41	35	47	38	33	44	36	32	42	35	30	40	33	29	
	Array Edge	71	59	51	68	56	49	65	53	46	62	51	44	59	49	42	57	47	41	53	43	38	49	40	35	46	38	33	43	35	31	41	33	29	39	32	28	37	30	26	35	28	24					
	C	0 to 7.5	Array Interior	82	74	63	80	71	60	78	68	57	76	65	54	74	63	51	72	60	49	67	56	45	63	52	42	59	49	39	56	46	37	53	43	34	50	41	32	47	39	31	45	37	29	43	35	27
		Array Edge	74	62	51	71	59	48	68	57	46	65	54	44	63	52	42	60	50	40	56	46	37	52	43	34	49	40	32	46	38	30	43	36	28	41	34	26	39	32	25	37	30	24				
		7.5 to 15	Array Interior	80	71	62	78	68	59	76	65	57	74	62	54	71	59	52	69	57	50	64	53	46	60	49	43	56	46	40	53	43	38	50	41	36	47	39	34	45	37	32	43	35	30			
		Array Edge	71	59	51																																											

Maximum Rail Spans (Inches)			Everest Solar 48-X Flush-Mount Dual Rail, Open Mono Slope Roof 0-30ft, 72 Cell(P) Rail Only																																													
Ground Snow Load	Exposure Category	Panel Angle	Wind Speed -> Roof Zone ->	95 mph			100 mph			105 mph			110 mph			115 mph			120 mph			130mph			140 mph			150 mph			160 mph			170 mph			180 mph			190 mph			200 mph					
				1	2	3	1	2	3	1	2	3	1	2	3	1	2	3	1	2	3	1	2	3	1	2	3	1	2	3	1	2	3	1	2	3	1	2	3	1	2	3	1	2	3			
15 psf	B	0 to 7.5	Array Interior	75	71	67	75	70	65	74	68	63	73	66	61	71	65	60	70	63	58	68	61	54	65	58	50	63	55	46	60	53	43	58	51	41	56	48	38	54	46	36	52	44	35			
			Array Edge	71	65	59	70	63	58	68	61	55	66	59	52	65	58	50	63	56	47	61	53	44	58	51	40	55	47	38	53	44	35	51	42	33	48	40	31	46	38	30	44	36	28			
		7.5 to 15	Array Interior	75	70	65	74	68	63	73	67	62	72	65	60	71	64	58	69	62	57	66	59	54	64	56	51	61	54	47	59	51	44	57	48	42	55	46	40	53	43	38	50	41	36			
			Array Edge	70	63	58	68	61	56	67	59	54	65	58	52	64	56	50	62	55	48	59	51	45	56	48	42	54	45	39	51	42	37	48	40	34	46	37	33	43	36	31	41	34	29			
	15 to 30	Array Interior	77	70	61	76	67	59	74	64	56	72	61	54	70	59	51	68	57	49	63	52	46	59	49	42	55	46	40	52	43	37	49	40	35	47	38	33	44	36	31	42	34	30				
		Array Edge	70	58	51	67	55	48	64	53	46	61	51	44	59	49	42	57	47	41	52	43	37	49	40	35	46	37	33	43	35	30	40	33	29	38	31	27	36	30	26	34	28	24				
	30 to 45	Array Interior	81	71	62	78	68	59	76	65	56	74	62	54	72	59	52	69	57	50	64	53	46	60	49	43	56	46	40	52	43	37	49	41	35	47	38	33	44	36	32	42	35	30				
		Array Edge	71	59	51	68	56	49	65	53	46	62	51	44	59	49	42	57	47	41	53	43	38	49	40	35	46	38	33	43	35	31	41	33	29	38	31	27	36	30	26	35	28	24				
	C	0 to 7.5	Array Interior	72	66	61	71	64	59	69	62	57	68	61	54	66	59	51	65	57	49	62	55	45	59	52	42	57	49	39	54	46	37	52	43	34	50	41	32	47	39	31	45	37	29			
			Array Edge	66	59	51	64	57	48	62	55	46	61	53	44	59	52	42	57	50	40	55	46	37	52	43	34	49	40	32	46	38	30	43	36	28	41	34	26	39	32	25	37	30	24			
		7.5 to 15	Array Interior	71	64	59	70	63	57	68	61	55	66	59	54	65	57	52	63	56	50	60	53	46	58	49	43	55	46	40	53	43	38	50	41	36	47	39	34	45	37	32	43	35	30			
			Array Edge	64	57	51	63	55	49	61	53	47	59	51	45	57	49	43	56	47	41	53	44	38	49	41	35	46	38	33	43	36	31	41	34	29	39	32	28	37	30	26	35	28	25			
15 to 30	Array Interior	71	60	52	69	57	50	66	55	48	63	52	46	61	50	44	58	48	42	54	45	39	50	41	36	48	40	34	45	37	32	41	34	29	39	32	27	36	30	26	34	28	24					
	Array Edge	60	50	43	57	47	41	55	45	39	52	43	37	50	41	36	48	40	34	45	37	32	41	34	29	39	32	27	36	30	26	34	28	24	32	26	23	31	25	22	29	24	21					
30 to 45	Array Interior	73	61	53	70	58	50	67	55	48	64	53	46	61	50	44	59	48	42	54	45	39	50	41	36	47	38	33	44	36	31	41	34	29	39	32	27	37	30	26	35	29	25					
	Array Edge	61	50	43	58	47	41	55	45	39	53	43	38	51	41	36	48	40	34	45	37	32	42	34	30	39	32	28	36	30	26	34	28	24	32	26	23	31	25	22	29	24	21					
D	0 to 7.5	Array Interior	70	63	58	68	61	55	66	59	52	65	58	49	63	56	47	62	54	45	59	52	41	56	48	38	54	45	36	51	42	33	49	40	31	46	38	30	44	36	28	42	34	27				
		Array Edge	63	56	47	61	54	44	59	52	42	58	50	40	56	48	38	54	46	37	52	43	34	48	40	31	45	37	29	42	35	27	40	33	26	38	31	24	36	29	23	34	28	22				
	7.5 to 15	Array Interior	68	61	56	67	59	54	65	58	52	63	56	50	62	54	48	60	53	46	57	49	43	54	46	40	52	43	37	49	40	35	46	38	33	43	36	31	41	34	29	39	32	28				
		Array Edge	61	54	47	59	52	45	58	49	43	56	47	41	54	45	39	53	43	38	49	40	35	46	37	32	43	35	30	40	33	28	38	31	27	36	29	25	34	28	24	32	26	23				
15 to 30	Array Interior	67	56	48	64	53	46	61	50	44	59	48	42	56	46	40	54	44	39	50	41	36	47	38	33	44	36	31	41	33	29	39	32	27	36	30	26	35	28	24	33	27	23					
	Array Edge	56	46	40	53	44	38	50	42	36	48	40	34	46	38	33	44	36	32	41	34	29	38	31	27	36	29	25	33	27	24	30	24	21	28	23	20	27	22	19								
30 to 45	Array Interior	68	56	49	64	53	46	62	51	44	59	49	42	56	46	40	54	45	39	50	41	36	47	38	33	44	36	31	41	34	29	39	32	27	37	30	26	35	28	24	33	27	23					
	Array Edge	56	46	40	53	44	38	51	42	36	49	40	35	46	38	33	45	37	32	41	34	29	38	31	27	36	29	25	34	28	24	30	24	21	28	23	20	27	22	19								
20 psf	B	0 to 7.5	Array Interior	70	66	62	70	65	61	69	64	60	68	62	58	67	61	57	65	60	56	63	58	53	61	55	50	59	53	46	57	51	43	56	49	41	54	47	38	52	45	36	50	44	35			
			Array Edge	66	61	57	65	59	55	64	58	53	62	56	52	61	55	50	60	54	47	58	52	45	59	52	45	56	50	42	54	48	40	52	46	37	50	43	34	48	41	32	46	38	30			
		7.5 to 15	Array Interior	71	66	62	70	64	60	68	63	59	67	62	57	66	60	56	65	59	54	63	56	52	60	54	49	57	51	46	55	48	43	53	46	40	54	48	42	52	46	40	51	43	38	49	41	36
			Array Edge	66	60	55	64	58	54	63	57	52	62	55	50	60	54	49	59	52	48	56	50	45	54	47	42	52	45	39	50	42	37	48	40	35	46	37	33	43	35	30	44	36	31			
	15 to 30	Array Interior	75	67	61	73	65	59	72	63	56	70	61	54	68	59	51	66	57	49	63	52	46	59	49	42	55	46	40	52	43	37	49	40	35	47	38	33	44	36	31	42	34	30				
		Array Edge	67	58	51	65	55	48	63	53	46	61	51	44	58	49	42	57	47	41	52	43	37	49	40	35	46	37	33	43	35	30	40	33	29	38	31	27	36	30	26	34	28	24				
	30 to 45	Array Interior	81	71	62	78	68	59	76	65	56	74	62	54	72	59	52	69	57	50	64	53	46	60	49	43	56	46	40	52	43	37	49	41	35	47	38	33	44	36	32	42	35	30				
		Array Edge	71	59	51	68	56	49	65	53	46	62	51	44	59	49	42	57	47	41	53	43	38	49	40	35	46	38	33	43	35	31	41	33	29	38	31	27	36	30	26	35	28	24				
	C	0 to 7.5	Array Interior	67	62	58	66	60	56	65	59	54	63	57	53	62	56	51	61	55	49	59	52	45	56	50	42	54	48	39	52	46	37	50	43	34	48	41	32	47	39	31	45	37	29			
			Array Edge	62	56	51	60	54	48	59	53	46	57	51	44	56	50	42	55	48	40	52	46	37	50	43	34	48	40	32	46	38	30	43	36	28	41	34	26	39	32	25	37	30	24			
		7.5 to 15	Array Interior	67	61	56	65	59	55	64	58	53	63	56	52	61	55	50	60	53	49	57	51	46	55	48	43	53	46	40	51	43	38	49	41	36	47	39	34	45	37	32	43	35	30			
			Array Edge	61	54	50	59	53	48	58	51	46	56	50	45	55	48	43	53	47	41	51	44	38	48	41	35	46	38	33	43	36	31	41	34	29	39	32	28	37	30	26	35	28	25			
15 to 30	Array Interior	69	60	52	67	57	50	64	55	48	63	52	46	61	50	44	58	48	42	54	45	39	50	41	36	47	38	33	44	36	31	41	34	29	39	32	27	36	30	26								

Maximum Rail Spans (Inches)			Everest Solar 48-X Flush-Mount Dual Rail, Open Mono Slope Roof 0-30ft, 72 Cell(P) Rail Only																																															
Ground Snow Load	Exposure Category	Panel Angle	Wind Speed ->		95 mph		100 mph		105 mph		110 mph		115 mph		120 mph		130mph		140 mph		150 mph		160 mph		170 mph		180 mph		190 mph		200 mph																			
			Roof Zone ->		1	2	3	1	2	3	1	2	3	1	2	3	1	2	3	1	2	3	1	2	3	1	2	3	1	2	3	1	2	3	1	2	3													
30 psf	B	0 to 7.5	Array Interior	70	66	62	69	64	60	68	63	59	67	62	58	66	61	56	65	59	55	63	57	53	61	55	50	59	53	46	57	51	43	55	49	41	53	47	38	52	45	36	50	44	35					
		Array Edge	66	60	56	64	59	55	63	57	53	62	56	52	61	55	50	59	53	47	57	51	44	55	48	40	53	46	38	51	44	35	49	42	33	47	40	31	45	38	30	44	36	28						
		7.5 to 15	Array Interior	70	65	61	69	64	60	68	62	58	66	61	57	65	60	55	64	58	54	62	56	51	60	54	49	58	51	47	56	49	44	54	47	42	52	45	40	50	43	38	49	41	36					
		Array Edge	65	59	55	64	58	53	62	56	52	61	55	50	60	53	49	58	52	47	56	49	45	54	47	42	51	45	39	49	42	37	47	40	34	45	37	33	43	36	31	41	34	29						
	15 to 30	Array Interior	70	63	58	68	61	56	66	59	54	65	58	53	63	56	51	62	55	49	59	52	46	56	49	42	54	46	40	52	43	37	49	40	35	47	37	33	43	35	30	42	34	30						
	Array Edge	63	56	51	61	54	48	59	52	46	58	50	44	56	49	42	55	47	41	52	43	37	49	40	35	46	37	33	43	35	30	40	33	29	38	31	27	36	30	26	34	28	24							
	30 to 45	Array Interior	79	71	62	77	68	59	76	65	56	74	62	54	72	59	52	69	57	50	64	53	46	60	49	43	56	46	40	52	43	37	49	41	35	47	38	33	44	36	32	42	35	30						
	Array Edge	71	59	51	68	56	49	65	53	46	62	51	44	59	49	42	57	47	41	53	43	38	49	40	35	46	38	33	43	35	31	41	33	29	38	31	27	36	30	26	35	28	24							
	C	0 to 7.5	Array Interior	66	61	57	65	60	56	64	58	54	63	57	53	62	56	51	60	54	49	58	52	45	56	50	42	54	47	39	52	45	37	50	43	34	47	40	32	45	38	30	43	36	28	41	34	29		
		Array Edge	61	55	51	60	54	48	58	52	46	57	51	44	56	49	42	54	48	40	52	46	37	50	43	34	47	40	32	45	38	30	43	36	31	41	34	29	39	32	28	41	34	26	39	32	25			
		7.5 to 15	Array Interior	66	60	56	65	59	54	63	57	53	62	56	51	61	54	50	59	53	48	57	51	46	55	48	43	52	46	40	50	43	38	48	41	36	47	39	34	48	41	36	47	39	34	45	37	32		
		Array Edge	60	54	49	59	52	48	57	51	46	56	49	45	54	48	43	53	47	41	51	44	38	48	41	35	46	38	33	43	36	31	41	34	29	39	32	28	37	30	26	35	28	25						
15 to 30	Array Interior	64	57	52	62	55	50	61	53	48	59	52	46	57	50	44	56	48	42	53	45	39	50	41	36	44	36	32	42	34	30	44	36	32	42	34	30	40	32	28	38	31	27	36	29	25				
Array Edge	57	50	43	55	47	41	53	45	39	52	43	37	50	41	36	48	40	34	45	37	32	41	34	29	39	32	27	36	30	26	34	28	24	32	26	22	31	25	22	29	24	21								
30 to 45	Array Interior	73	61	53	70	58	50	67	55	48	64	53	46	61	50	44	59	48	42	54	45	39	51	42	36	47	39	34	45	36	32	42	34	30	40	32	28	38	31	27	36	29	25							
Array Edge	61	50	43	58	47	41	55	45	39	53	43	38	50	41	36	48	40	34	45	37	32	42	34	30	39	32	28	36	30	26	34	28	24	32	26	22	31	25	22	29	24	21								
D	0 to 7.5	Array Interior	65	59	55	64	58	53	62	56	52	61	55	49	60	53	47	58	52	45	56	50	41	54	47	42	51	45	36	49	42	37	47	40	31	45	36	49	42	33	47	40	31	46	38	30	42	34	27	
	Array Edge	59	53	47	58	51	44	56	50	42	55	48	40	53	47	38	52	46	37	50	43	34	47	40	31	51	45	36	49	42	37	40	33	26	40	33	26	38	31	24	36	29	23	34	28	22				
	7.5 to 15	Array Interior	64	58	54	63	57	52	61	55	50	60	54	49	59	52	47	57	51	46	55	48	43	52	46	40	50	43	37	48	40	35	46	38	33	47	40	35	46	38	33	43	36	31	41	34	29	39	32	28
	Array Edge	58	52	47	57	50	45	55	48	43	54	47	41	52	45	39	51	43	38	48	40	35	46	37	32	45	36	30	40	33	28	38	31	27	36	29	25	34	28	24	32	26	23							
15 to 30	Array Interior	62	55	48	60	53	46	59	50	44	57	48	42	55	46	40	54	44	39	50	41	36	47	38	33	44	36	31	41	33	29	39	32	27	36	30	26	35	28	24	33	27	23							
Array Edge	55	46	40	53	44	38	50	42	36	48	40	34	46	38	33	44	36	32	41	34	29	38	31	27	36	29	25	33	27	24	32	26	22	30	24	21	28	23	20	27	22	19								
30 to 45	Array Interior	68	56	49	64	53	46	62	51	44	59	49	42	56	46	40	54	45	39	50	41	36	47	38	33	44	36	31	41	34	29	39	32	27	37	30	26	35	28	24	33	27	23							
Array Edge	56	46	40	53	44	38	51	42	36	49	40	35	46	38	33	45	37	32	41	34	29	38	31	27	36	29	25	34	27	24	32	26	22	30	24	21	28	23	20	27	22	19								
35 psf	B	0 to 7.5	Array Interior	66	63	60	66	62	58	65	61	57	64	59	56	63	58	55	62	57	52	60	55	51	59	53	49	57	51	46	55	49	43	53	48	44	52	46	42	51	44	40	49	43	38	47	41	36		
		Array Edge	63	58	54	62	57	53	61	56	52	60	55	50	59	53	49	58	52	48	57	51	46	54	48	44	52	46	42	50	44	39	48	42	37	46	40	34	44	37	33	43	36	31	41	34	29			
		7.5 to 15	Array Interior	67	61	56	66	59	55	64	58	53	63	56	51	61	55	50	60	53	48	57	51	46	55	48	42	53	46	40	50	43	37	48	40	35	47	38	33	48	40	35	47	38	33	42	34	30		
		Array Edge	61	54	50	59	53	48	58	51	46	56	49	44	55	48	42	53	47	41	51	43	37	48	40	35	46	38	33	43	35	30	40	33	29	38	31	27	36	30	26	34	28	24						
	15 to 30	Array Interior	67	61	56	66	59	55	64	58	53	63	56	51	61	55	50	60	53	48	57	51	46	55	48	42	53	46	40	50	43	37	48	40	35	47	38	33	48	40	35	47	38	33	42	34	30			
	Array Edge	61	54	50	59	53	48	58	51	46	56	49	44	55	48	42	53	47	41	51	43	37	48	40	35	46	38	33	43	35	30	40	33	29	38	31	27	36	30	26	34	28	24							
	30 to 45	Array Interior	78	71	62	76	68	59	75	65	56	73	62	54	71	59	52	69	57	50	64	53	46	60	49	43	56	46	40	52	43	37	49	41	35	47	38	33	44	36	32	42	35	30						
	Array Edge	71	59	51	68	56	49	65	53	46	62	51	44	59	49	42	57	47	41	53	43	38	49	40	35	46	38	33	43	35	31	41	33	29	38	31	27	36	30	26	35	28	24							
	C	0 to 7.5	Array Interior	64	59	55	62	58	54	61	56	53	60	55	51	59	54	50	58	53	49	56	51	45	54	48	42	52	46	39	50	44	37	49	43	34	47	41	32	45	39	31	44	37	29	41	37	29		
		Array Edge	59	54	50	58	52	48	56	51	46	55	49	44	54	48	42	53	47	40	51	45	37	48	42	34	46	40	32	44	38	30	43	36	28	41	34	26	39	32	25	37	30	24						
		7.5 to 15	Array Interior	63	58	54	62	57	53	61	56	51	60	54	50	59	53	49	57	52	47	55	49	45	53	47	43	51	45	40	49	43	38	47	41	36	46	39	34	44	37	32	42	35	30					
		Array Edge	58	53	48	57	51	47	56	50	45	54	48	44	53	47	42	52	46	41	49	43	38	47	41	35	45	38	33	43	36	31	41	34	29	39	32	28	37	30	26	35	28	25						
15 to 30	Array Interior	62	56	51	60	54	49	59	52	47	57	5																																						



Maximum Rail Spans (Inches)			Everest Solar 48-X Flush-Mount Dual Rail, Open Mono Slope Roof 0-30ft, 72 Cell(P) Rail Only																																													
Ground Snow Load	Exposure Category	Panel Angle	Wind Speed -> Roof Zone ->	95 mph			100 mph			105 mph			110 mph			115 mph			120 mph			130mph			140 mph			150 mph			160 mph			170 mph			180 mph			190 mph			200 mph					
				1	2	3	1	2	3	1	2	3	1	2	3	1	2	3	1	2	3	1	2	3	1	2	3	1	2	3	1	2	3	1	2	3	1	2	3	1	2	3	1	2	3			
45 psf	B	0 to 7.5	Array Interior	61	58	56	61	57	55	60	56	54	59	56	53	58	55	52	58	54	51	56	52	49	55	50	47	53	49	45	52	47	43	50	45	41	49	44	38	48	43	36	47	41	35			
			Array Edge	58	54	51	57	53	50	56	52	49	56	51	48	55	50	47	54	49	46	52	47	43	50	45	40	49	43	38	47	42	35	45	40	33	44	39	31	43	37	30	41	36	28			
		7.5 to 15	Array Interior	62	58	55	61	57	54	60	56	53	59	55	52	58	54	51	58	53	50	56	51	48	54	49	46	53	48	44	51	46	42	50	44	40	48	43	39	47	41	37	45	40	36			
			Array Edge	58	54	51	57	53	49	56	52	48	55	50	47	54	49	46	53	48	44	51	46	42	49	44	40	48	42	38	46	41	37	44	39	34	43	37	33	41	36	31	40	34	29			
	15 to 30	Array Interior	63	58	54	61	56	52	60	55	51	59	54	49	58	52	48	57	51	47	55	49	44	52	46	42	50	44	40	49	42	37	47	40	35	45	38	33	43	36	31	42	34	30				
		Array Edge	58	52	48	56	50	46	55	49	45	54	48	43	52	46	42	51	45	41	49	43	37	46	40	35	44	37	33	42	35	30	40	33	29	38	31	27	36	30	26	34	28	24				
	30 to 45	Array Interior	76	68	62	74	66	59	73	64	56	71	62	54	69	59	52	67	57	50	64	53	46	60	49	43	56	46	40	52	43	37	49	41	35	47	38	33	44	36	32	42	35	30				
		Array Edge	68	59	51	66	56	49	64	53	46	62	51	44	59	49	42	57	47	41	53	43	38	49	40	35	46	38	33	43	35	31	41	33	29	38	31	27	36	30	26	35	28	24				
	C	0 to 7.5	Array Interior	59	55	52	58	54	51	57	53	50	56	52	49	55	51	47	54	50	46	53	48	44	51	46	42	49	44	39	48	43	37	46	41	34	45	40	32	43	38	31	42	37	29			
			Array Edge	55	51	47	54	49	46	53	48	45	52	47	43	51	46	42	50	45	40	48	43	37	46	41	34	44	39	32	43	37	30	41	36	28	40	34	26	38	32	25	37	30	24			
		7.5 to 15	Array Interior	59	55	51	58	54	50	57	52	49	56	51	48	55	50	46	54	49	45	52	47	43	50	45	41	49	43	39	47	41	38	45	40	36	44	38	34	42	37	32	41	35	30			
			Array Edge	55	50	46	54	49	45	52	47	43	51	46	42	50	45	41	49	44	40	47	42	38	45	40	35	43	38	33	41	36	31	40	34	29	38	32	28	37	30	26	35	28	25			
15 to 30	Array Interior	59	53	49	57	51	47	56	50	46	55	49	44	53	47	43	52	46	42	50	44	39	47	41	36	45	39	34	43	36	32	42	34	30	40	32	28	38	31	27	36	29	25					
	Array Edge	53	47	43	51	45	41	50	44	39	49	43	37	47	41	36	46	40	34	44	37	32	41	34	29	39	32	27	36	30	26	34	28	24	32	26	23	31	25	22	29	24	21					
30 to 45	Array Interior	70	61	53	68	58	50	66	55	48	64	53	46	61	50	44	59	48	42	54	45	39	51	42	36	47	39	34	45	36	32	42	34	30	40	32	28	38	31	27	36	29	25					
	Array Edge	61	50	43	58	47	41	55	45	39	53	43	38	50	41	36	48	40	34	45	37	32	42	34	30	39	32	28	36	30	26	34	28	24	32	26	23	31	25	22	29	24	21					
D	0 to 7.5	Array Interior	59	55	51	58	54	50	57	53	49	56	51	48	55	50	46	54	49	45	52	47	43	50	45	41	50	45	38	49	43	36	47	41	33	45	39	31	44	38	30	42	36	28	41	34	27	
		Array Edge	55	50	46	54	49	44	53	47	42	51	46	40	50	45	38	49	44	37	47	41	34	45	39	31	43	37	29	41	35	27	39	33	26	38	31	24	36	29	23	34	28	22				
	7.5 to 15	Array Interior	59	54	51	58	53	49	57	52	48	56	50	46	55	49	45	54	48	44	51	46	42	49	44	39	47	42	37	46	40	35	44	38	33	44	38	33	42	36	31	41	34	29	39	32	28	
		Array Edge	54	49	45	53	47	43	52	46	42	50	45	41	49	43	39	48	42	38	46	40	35	44	37	32	41	34	30	40	33	28	38	31	27	36	29	25	34	28	24	32	26	23				
15 to 30	Array Interior	58	52	47	56	50	45	55	48	44	53	47	42	52	45	40	51	44	39	48	41	36	46	38	33	43	36	31	41	33	29	39	32	27	36	30	26	35	28	24	33	27	23					
	Array Edge	52	45	40	50	43	38	48	42	36	47	40	34	45	38	33	44	36	32	41	34	29	38	31	27	36	29	25	33	27	24	32	26	22	30	24	21	28	23	20	27	22	19					
30 to 45	Array Interior	67	56	49	64	53	46	62	51	44	59	49	42	56	46	39	50	41	36	47	38	33	44	36	31	41	34	29	39	32	27	37	30	26	35	28	24	33	27	23								
	Array Edge	56	46	40	53	44	38	51	42	36	49	40	35	46	38	33	45	37	32	41	34	29	38	31	27	36	29	25	33	27	24	32	26	22	30	24	21	28	23	20	27	22	19					
50 psf	B	0 to 7.5	Array Interior	59	56	54	59	55	53	58	54	52	57	54	51	56	53	50	56	52	49	54	50	47	53	48	45	51	46	43	49	44	40	47	43	38	46	41	35	45	39	33	43	38	31	40	35	28
			Array Edge	56	53	50	55	52	49	55	51	48	54	50	47	53	49	46	52	48	45	51	46	43	49	44	40	47	43	38	46	41	35	45	39	33	43	38	31	40	35	28						
		7.5 to 15	Array Interior	59	56	54	59	55	53	58	54	52	57	54	51	56	53	50	56	52	49	54	50	47	53	48	45	51	46	43	49	44	40	47	43	38	46	41	35	45	39	33	43	38	31	40	35	28
			Array Edge	56	52	49	55	51	48	54	50	47	54	49	46	53	48	45	52	47	44	50	45	42	48	43	40	47	42	38	45	40	36	44	38	34	42	37	33	41	35	31	39	34	29			
	15 to 30	Array Interior	61	56	52	60	55	51	59	54	50	58	52	48	56	51	47	55	50	46	53	48	44	51	46	41	49	44	40	48	42	37	46	40	35	44	38	33	43	36	31	41	34	30	41	34	28	
		Array Edge	56	51	47	55	49	45	54	48	44	52	47	43	51	45	41	50	44	40	48	42	37	46	40	35	44	37	33	42	35	30	40	33	29	38	31	27	36	30	26	34	28	24				
	30 to 45	Array Interior	75	67	61	74	65	59	72	63	56	70	61	54	68	59	52	66	57	50	63	53	46	60	49	43	56	46	40	52	43	37	49	41	35	47	38	33	43	36	31	41	33	29	42	35	30	
		Array Edge	67	59	51	65	56	49	62	53	46	61	51	44	58	49	42	57	47	41	53	43	38	49	40	35	46	38	33	43	35	31	41	33	29	38	31	27	36	30	26	35	28	24				
	C	0 to 7.5	Array Interior	57	53	51	56	52	50	55	52	48	54	51	47	54	50	46	53	49	45	51	47	43	50	45	42	48	43	39	47	42	37	45	40	34	44	39	32	43	38	31	41	36	29	41	36	29
			Array Edge	53	49	46	52	48	45	52	47	44	51	46	43	50	45	41	49	44	40	47	42	37	45	40	34	43	38	32	42	37	30	40	35	28	39	34	26	38	32	25	36	30	24			
		7.5 to 15	Array Interior	57	53	50	56	52	49	55	51	48	54	50	47	53	49	46	53	48	44	51	46	42	49	44	40	48	42	39	46	41	37	44	39	35	43	38	34	42	36	32	40	35	30			
			Array Edge	53	49	45	52	48	44	51	46	43	50	45	41	49	44	40	48	43	39	46	41	37	44	39	35	42	37	33	41	35	31	39	34	29	38	32	28	36	30	26	35	28	25			
15 to 30	Array Interior	57	52	48	56	50	46	55	49	45	53	48	44	52	46	42	51	45	41	49	43	39																										

Maximum Rail Spans (Inches)			Everest Solar 48-X Flush-Mount Dual Rail, Open Mono Slope Roof 0-30ft, 72 Cell(P) Rail Only																																													
Ground Snow Load	Exposure Category	Panel Angle	Wind Speed ->	95 mph		100 mph		105 mph		110 mph		115 mph		120 mph		130mph		140 mph		150 mph		160 mph		170 mph		180 mph		190 mph		200 mph																		
			Roof Zone ->	1	2	3	1	2	3	1	2	3	1	2	3	1	2	3	1	2	3	1	2	3	1	2	3	1	2	3	1	2	3	1	2	3												
70 psf	B	0 to 7.5	Array Interior	49	49	48	49	49	48	49	49	47	49	48	46	49	48	46	49	47	45	49	46	43	48	45	42	47	44	41	46	42	40	45	41	38	44	40	37	43	39	36	42	38	35			
			Array Edge	49	48	45	49	47	45	49	46	44	48	45	43	48	45	42	47	44	41	46	42	40	45	41	38	44	40	37	42	38	35	41	37	33	40	36	31	39	35	30	38	34	28			
		7.5 to 15	Array Interior	50	50	48	50	50	48	50	49	47	50	48	46	50	48	45	50	47	45	49	46	43	48	44	42	47	43	40	46	42	39	45	41	37	43	39	36	42	38	35	41	37	34	40	35	31
			Array Edge	50	47	45	50	47	44	49	46	43	48	45	42	48	44	41	47	43	41	46	42	39	44	40	37	43	39	36	42	38	34	41	36	33	39	35	32	38	34	30	37	33	29			
		15 to 30	Array Interior	55	51	48	54	50	47	53	49	46	52	48	45	51	47	44	51	46	43	49	45	41	48	43	39	46	41	38	45	40	36	43	38	35	42	37	33	40	35	31	39	34	30	38	33	28
			Array Edge	51	47	44	50	46	43	49	45	41	48	44	40	47	43	39	46	42	38	45	40	36	43	38	34	41	36	33	40	35	30	38	33	29	37	31	27	35	30	26	34	28	24			
	30 to 45	Array Interior	71	64	58	69	62	57	67	60	55	66	58	53	64	57	51	63	55	50	60	52	46	57	49	43	54	46	40	52	43	37	49	41	35	47	38	33	44	36	32	42	35	30	40	32	28	
		Array Edge	64	56	51	62	54	49	60	53	46	58	51	44	57	49	42	55	47	41	52	43	38	49	40	35	46	38	33	43	35	31	41	33	29	38	31	27	36	30	26	35	28	24				
	C	0 to 7.5	Array Interior	49	48	46	49	47	45	49	47	44	49	46	43	48	45	43	48	44	42	46	43	40	45	42	39	44	40	37	43	39	36	42	38	34	41	37	32	40	35	31	39	34	29	38	33	28
			Array Edge	48	45	42	47	44	42	47	43	41	46	42	40	45	42	39	44	41	38	43	39	36	42	38	34	40	36	32	39	35	30	38	33	28	37	32	26	35	31	25	34	30	24			
		7.5 to 15	Array Interior	50	48	46	50	47	45	49	46	44	49	46	43	48	45	42	48	44	41	46	43	40	45	42	39	44	40	37	42	38	35	41	37	34	40	36	32	39	34	31	38	33	28			
			Array Edge	48	45	42	47	44	41	46	43	40	46	42	39	45	41	38	44	40	37	43	38	35	41	37	34	40	35	32	38	34	31	37	32	29	36	31	28	34	30	26	33	28	25			
15 to 30		Array Interior	52	48	45	51	47	43	50	46	42	49	45	41	48	44	40	47	43	39	45	41	37	44	39	35	42	37	33	40	35	32	39	34	30	38	32	28	36	31	27	35	29	25				
		Array Edge	48	43	40	47	42	39	46	41	37	45	40	36	44	39	35	43	38	34	41	36	32	39	34	29	37	32	27	35	30	26	34	28	24	32	26	22	31	25	22	29	24	21				
30 to 45	Array Interior	65	58	52	63	56	50	61	54	48	60	52	46	58	50	44	56	48	42	53	45	39	51	42	36	47	39	34	45	36	32	42	34	30	40	32	28	38	31	27	36	29	25					
	Array Edge	58	50	43	56	47	41	54	45	39	52	43	38	50	41	36	48	40	34	45	37	32	42	34	30	39	32	28	36	30	26	34	28	24	32	26	23	31	25	22	29	24	21					
D	0 to 7.5	Array Interior	52	49	46	51	48	45	50	47	44	49	46	43	49	45	42	48	44	41	47	43	40	45	41	38	44	40	36	43	38	33	41	37	31	40	36	30	39	34	28	38	33	27				
		Array Edge	49	45	42	48	44	41	47	43	40	46	42	39	45	41	38	44	40	37	43	38	34	41	37	31	40	35	29	38	34	27	37	32	26	36	31	24	34	29	23	33	28	22				
	7.5 to 15	Array Interior	52	48	46	51	47	45	50	46	44	49	46	43	49	45	42	48	44	41	46	42	39	45	40	37	43	39	35	42	37	34	41	36	32	39	34	31	38	33	29	37	32	28				
		Array Edge	48	44	41	47	43	40	46	42	39	46	41	38	45	40	37	44	39	36	42	37	34	40	36	32	39	34	30	37	32	28	36	31	27	34	29	25	33	28	24	32	26	23				
	15 to 30	Array Interior	52	47	44	51	46	42	50	45	41	49	44	40	48	42	39	47	41	38	45	39	35	43	37	33	41	35	31	39	33	29	38	32	27	36	30	26	35	28	24	33	27	23				
		Array Edge	47	42	38	46	41	37	45	40	36	44	38	34	42	37	33	41	36	32	39	34	29	37	31	27	35	29	25	33	27	24	32	26	22	30	24	21	28	23	20	27	22	19				
30 to 45	Array Interior	63	55	49	61	53	46	59	51	44	57	49	42	56	46	40	54	45	39	50	41	36	47	38	33	44	36	31	41	34	29	39	32	27	37	30	26	35	28	24	33	27	23					
	Array Edge	55	46	40	53	44	38	51	42	36	49	40	35	46	38	33	45	37	32	41	34	29	38	31	27	36	29	25	34	27	24	32	26	22	30	24	21	28	23	20	27	22	19					
80 psf	B	0 to 7.5	Array Interior	46	46	46	46	46	45	46	46	45	46	46	44	46	46	44	46	45	43	46	44	42	46	43	41	45	42	40	44	41	38	43	40	37	42	38	36	41	37	34	40	36	33			
			Array Edge	46	45	44	46	45	43	46	44	42	46	43	41	46	43	41	45	42	40	44	41	38	43	40	37	42	38	36	41	37	34	40	36	33	39	35	31	38	34	30	37	33	28			
		7.5 to 15	Array Interior	47	47	46	47	47	46	47	47	45	47	46	44	47	46	44	47	46	44	46	45	43	46	44	42	46	43	41	45	42	39	44	40	38	43	39	36	42	38	35	41	37	34	40	36	33
			Array Edge	47	45	43	47	45	43	47	44	42	46	43	41	46	43	41	46	42	39	44	40	38	43	39	36	42	38	35	40	37	34	39	35	32	38	34	31	37	33	30	36	32	29			
		15 to 30	Array Interior	52	49	47	52	48	46	51	47	45	50	47	44	49	46	43	49	45	42	47	43	40	46	42	38	44	40	37	43	39	35	42	37	34	41	36	33	40	35	31	38	33	28			
			Array Edge	49	46	43	48	44	41	47	43	40	47	42	39	46	42	38	45	41	37	43	39	35	42	37	34	40	35	32	39	34	30	37	33	29	36	31	27	35	30	26	33	28	24			
	30 to 45	Array Interior	68	62	57	67	60	55	65	59	54	64	57	52	62	56	51	61	54	49	58	51	46	56	49	43	53	46	40	51	43	37	49	41	35	47	38	33	44	36	32	42	35	30				
		Array Edge	62	55	50	60	53	48	59	52	46	57	50	44	56	48	42	54	47	41	51	43	38	49	40	35	46	38	33	43	35	31	41	33	29	38	31	27	36	30	26	35	28	24				
	C	0 to 7.5	Array Interior	46	46	44	46	45	43	46	45	43	46	44	42	46	43	41	45	43	40	44	41	39	43	40	38	42	39	36	41	38	35	40	37	34	39	36	32	38	35	31	37	33	29			
			Array Edge	46	43	41	45	42	40	45	42	39	44	41	38	43	40	38	43	39	37	41	38	35	40	37	34	39	35	32	38	34	30	37	33	28	36	32	26	35	30	25	33	29	24			
		7.5 to 15	Array Interior	47	46	44	47	45	43	47	45	42	47	44	42	46	43	41	46	42	40	44	41	38	43	40	37	42	38	36	41	37	34	40	36	33	39	35	32	38	34	31	37	33	30			
			Array Edge	46	43	41	45	4																																								

Maximum Rail Spans (Inches)			Everest Solar 48-X Flush-Mount Dual Rail, Open Mono Slope Roof 0-30ft, 72 Cell(P) Rail Only																																																						
Ground Snow Load	Exposure Category	Panel Angle	Wind Speed ->			95 mph			100 mph			105 mph			110 mph			115 mph			120 mph			130mph			140 mph			150 mph			160 mph			170 mph			180 mph			190 mph			200 mph												
			Roof Zone ->			1	2	3	1	2	3	1	2	3	1	2	3	1	2	3	1	2	3	1	2	3	1	2	3	1	2	3	1	2	3	1	2	3	1	2	3	1	2	3	1	2	3										
100 psf	B	0 to 7.5	Array Interior	41	41	41	41	41	41	41	41	41	41	41	41	41	41	41	41	41	41	41	41	40	41	41	39	41	40	38	41	39	37	41	38	36	40	37	35	39	36	34	38	35	33	37	34	32	37	33	31	36	32	30	35	31	28
			Array Edge	41	41	40	41	41	40	41	41	39	41	40	39	41	40	38	41	39	37	41	38	36	40	37	35	39	36	34	38	35	33	37	34	32	37	33	31	36	32	30	35	31	28												
		7.5 to 15	Array Interior	43	43	43	43	43	42	43	43	42	43	43	41	43	42	41	43	42	40	43	41	39	42	40	38	42	39	37	41	38	36	40	37	35	39	36	34	38	35	33	37	34	31	36	33	30	35	32	29	34	31	28			
			Array Edge	43	42	40	43	42	40	43	41	39	43	40	38	42	40	38	42	39	37	41	38	36	40	37	35	39	36	33	38	35	32	37	34	31	36	33	30	35	32	29	34	31	28												
		15 to 30	Array Interior	47	46	44	47	45	43	47	44	42	47	44	41	46	43	40	45	42	40	44	41	38	43	40	37	42	38	35	41	37	34	40	36	33	39	35	31	38	33	30	36	32	29	33	29	26	32	28	24						
			Array Edge	46	43	40	45	42	39	44	41	38	44	40	37	43	39	37	42	39	36	41	37	34	40	36	33	38	34	31	37	33	30	36	31	28	35	30	27	33	29	26	32	28	24												
	30 to 45	Array Interior	63	59	55	63	58	53	62	56	52	61	55	50	59	53	49	58	52	48	56	50	45	54	47	43	51	45	40	49	43	37	47	41	35	46	38	33	44	36	32	42	35	30	42	35	30										
		Array Edge	59	53	49	58	51	47	56	50	45	55	48	44	53	47	42	52	46	41	50	43	38	47	40	35	45	38	33	43	35	31	41	33	29	38	31	27	36	30	26	35	28	24													
	C	0 to 7.5	Array Interior	41	41	41	41	41	40	41	41	40	41	41	39	41	40	38	41	40	38	41	39	37	40	38	36	40	37	34	39	36	33	38	35	32	37	34	31	36	33	30	35	32	29	34	30	27	32	28	24						
			Array Edge	41	40	38	41	40	38	41	39	37	41	38	36	40	38	35	40	37	35	39	36	33	38	35	32	37	33	31	36	32	30	35	31	28	34	30	26	33	29	25	32	28	24												
		7.5 to 15	Array Interior	43	42	41	43	42	40	43	41	40	43	41	39	43	40	38	42	40	38	41	39	36	40	37	35	39	36	34	38	35	33	38	34	32	37	33	31	36	32	30	35	31	29	34	30	27									
			Array Edge	42	40	38	42	39	37	41	39	37	41	38	36	40	37	35	40	37	34	39	35	33	37	34	31	36	33	30	35	32	29	34	31	28	33	29	27	32	28	26	31	27	25												
		15 to 30	Array Interior	46	43	41	46	42	40	45	42	39	44	41	38	44	40	37	43	39	36	41	38	35	40	36	33	39	35	32	38	33	30	36	32	29	35	31	28	34	30	27	33	29	25	32	28	24									
			Array Edge	43	40	37	42	39	36	42	38	35	41	37	34	40	36	33	39	35	32	38	34	31	36	32	29	35	31	27	33	29	26	32	28	24	31	26	23	30	25	22	29	24	21												
	30 to 45	Array Interior	60	54	50	59	53	48	57	51	46	56	50	45	54	48	44	53	47	42	51	44	39	48	42	36	46	39	34	44	36	32	42	34	30	40	32	28	38	31	27	36	29	25	35	28	24										
		Array Edge	54	48	43	53	46	41	51	45	39	50	43	38	48	41	36	47	40	34	44	37	32	42	34	30	39	32	28	36	30	26	34	28	24	32	26	23	31	25	22	29	24	21													
	D	0 to 7.5	Array Interior	44	43	41	44	43	41	44	42	40	44	41	39	43	41	39	43	40	38	42	39	37	41	38	35	40	37	34	39	35	33	38	34	31	37	33	30	36	32	28	35	31	27	34	30	27									
			Array Edge	43	41	38	43	40	38	42	39	37	41	38	36	41	38	35	40	37	34	39	35	33	38	34	31	37	33	29	35	32	27	34	30	26	33	29	24	32	28	23	31	27	22												
		7.5 to 15	Array Interior	45	43	41	45	43	40	45	42	40	44	41	39	43	41	38	43	40	37	42	39	36	41	37	35	40	36	33	38	35	32	37	34	31	36	32	30	35	31	28	34	30	27												
			Array Edge	43	40	38	43	40	37	42	39	36	41	38	35	41	37	34	40	36	34	39	35	32	37	33	31	36	32	29	35	31	28	34	30	27	32	28	25	31	27	24	30	26	23												
		15 to 30	Array Interior	47	43	40	46	42	39	45	41	38	44	40	37	44	40	36	43	39	35	41	37	34	40	35	32	38	34	31	37	32	29	35	31	27	34	30	26	33	28	24	32	27	23												
			Array Edge	43	39	36	42	38	35	41	37	34	40	36	33	40	35	32	39	34	31	37	32	29	35	31	27	34	29	25	32	27	24	31	26	22	30	24	21	28	23	20	27	22	19												
	30 to 45	Array Interior	59	53	48	57	51	46	56	49	44	54	48	42	53	46	40	51	45	39	49	41	36	46	38	33	44	36	31	41	34	29	39	32	27	37	30	26	35	28	24	33	27	23													
		Array Edge	53	46	40	51	44	38	49	42	36	48	40	35	46	38	33	45	37	32	41	34	29	38	31	27	36	29	25	34	27	24	32	26	22	30	24	21	28	23	20	27	22	19													

Maximum Rail Spans (Inches)			Everest Solar 48-X Flush-Mount Dual Rail, Open Mono Slope Roof 30-60ft, 72 Cell(L) Rail Only																																										
Ground Snow Load	Exposure Category	Panel Angle	Wind Speed ->	95 mph			100 mph			105 mph			110 mph			115 mph			120 mph			130mph			140 mph			150 mph			160 mph			170 mph			180 mph			190 mph			200 mph		
			Roof Zone ->	1	2	3	1	2	3	1	2	3	1	2	3	1	2	3	1	2	3	1	2	3	1	2	3	1	2	3	1	2	3	1	2	3	1	2	3	1	2	3			
0 psf	B	0 to 7.5	Array Interior	107	96	86	104	93	83	102	91	80	99	88	77	97	86	75	94	84	73	90	80	68	86	76	63	83	73	59	79	68	55	76	65	51	74	61	49	70	58	46	67	55	44
		Array Edge	96	85	74	93	83	72	91	80	69	88	78	65	86	76	62	84	74	60	80	69	55	76	64	51	73	60	47	68	56	44	65	53	42	61	50	39	58	48	37	55	45	35	
		7.5 to 15	Array Interior	104	93	85	101	90	83	98	88	80	96	85	78	93	83	76	91	81	74	87	77	67	83	73	64	80	69	60	77	65	56	74	61	53	70	58	50	67	55	48	64	52	45
		Array Edge	93	82	75	90	80	73	88	77	70	85	75	67	83	73	64	81	70	61	77	65	57	73	61	53	69	57	49	65	53	46	61	50	44	58	47	41	55	45	39	52	43	37	
	15 to 30	Array Interior	94	83	76	91	81	74	89	78	71	86	76	68	84	74	65	82	72	62	78	66	58	74	62	54	70	58	50	66	54	47	62	51	44	59	48	42	56	46	40	53	44	38	
	Array Edge	83	74	64	81	70	61	78	67	58	76	64	56	74	62	53	72	59	51	66	55	47	62	51	44	58	47	41	54	45	39	51	42	36	48	40	34	46	38	33	44	36	31		
	30 to 45	Array Interior	95	84	77	92	81	74	89	79	71	87	77	68	85	74	65	82	72	63	78	67	58	75	62	54	71	58	50	66	55	47	63	51	45	59	49	42	56	46	40	53	44	38	
	Array Edge	84	74	65	81	71	62	79	67	59	77	64	56	74	62	54	72	59	51	67	55	48	62	51	44	58	48	41	55	45	39	51	42	36	49	40	34	46	38	33	44	36	31		
	C	0 to 7.5	Array Interior	99	88	77	96	85	75	94	83	72	91	81	69	89	78	66	86	76	63	82	73	58	79	68	54	75	63	50	72	60	47	68	56	44	65	53	42	61	50	39	58	48	37
		Array Edge	88	78	65	85	75	62	83	73	59	81	70	56	78	67	54	76	65	51	73	60	47	68	56	44	63	52	41	60	49	38	56	46	36	53	44	34	50	41	32	48	39	30	
		7.5 to 15	Array Interior	96	85	78	93	83	76	90	80	73	88	78	70	86	76	67	84	74	65	80	69	60	76	64	56	73	62	51	68	56	49	64	53	46	61	50	44	58	48	41	55	45	39
		Array Edge	85	75	67	83	73	63	80	69	60	78	66	58	76	64	55	74	61	53	69	57	49	64	53	46	60	49	43	56	46	40	53	43	38	50	41	36	48	39	34	45	37	32	
15 to 30	Array Interior	86	76	68	84	74	65	81	71	62	79	68	59	77	65	56	75	62	54	70	58	50	65	54	47	61	50	44	57	47	41	54	44	38	51	42	36	49	40	34	46	38	33		
Array Edge	76	64	56	74	61	53	71	58	51	68	56	48	65	53	46	62	51	44	58	47	41	54	44	38	50	41	36	47	38	33	44	36	31	42	34	30	40	32	28	38	31	27			
30 to 45	Array Interior	87	77	68	84	74	65	82	71	62	79	68	59	77	65	57	75	63	54	70	58	50	66	54	47	61	50	44	58	47	41	54	44	38	51	42	36	49	40	34	46	38	33		
Array Edge	77	64	56	74	61	53	71	58	51	68	56	48	65	53	46	62	51	44	58	47	41	54	44	38	50	41	36	47	38	33	44	36	31	42	34	30	40	32	28	38	31	27			
D	0 to 7.5	Array Interior	95	84	74	92	82	71	90	80	68	87	77	65	85	75	62	83	73	59	79	68	54	75	63	50	72	59	47	68	56	44	64	52	41	60	50	39	57	47	37	55	45	35	
	Array Edge	84	75	61	82	72	58	80	69	55	77	66	52	75	63	50	73	60	48	68	56	44	63	52	41	59	49	38	56	46	36	52	43	33	50	41	32	47	38	30	45	37	28		
	7.5 to 15	Array Interior	92	82	75	89	79	72	87	77	69	84	75	66	82	72	63	80	69	60	76	64	56	73	60	52	68	56	49	64	53	46	60	50	43	57	47	41	54	44	39	52	42	37	
	Array Edge	82	71	62	79	68	59	77	65	57	75	62	54	72	59	52	69	57	50	64	53	46	60	49	43	56	46	40	53	43	37	50	40	35	47	38	33	44	36	31	42	34	30		
15 to 30	Array Interior	83	73	64	80	69	60	78	66	58	76	63	55	74	61	53	71	58	51	66	54	47	61	50	43	57	47	41	54	44	38	51	41	36	48	39	34	45	37	32	43	35	30		
Array Edge	73	60	52	69	57	50	66	54	47	63	52	45	61	50	43	58	48	41	54	44	38	50	41	36	47	38	33	44	36	31	41	34	29	39	32	28	37	30	26	35	29	25			
30 to 45	Array Interior	83	73	64	81	70	61	78	67	58	76	64	55	74	61	53	71	58	51	66	54	47	61	50	44	57	47	41	54	44	38	51	41	36	48	39	34	45	37	32	43	35	30		
Array Edge	73	60	52	70	57	50	67	55	47	64	52	45	61	50	43	58	48	42	54	44	38	50	41	36	47	38	33	44	36	31	41	34	29	39	32	28	37	30	26	35	29	25			
5 psf	B	0 to 7.5	Array Interior	105	96	86	103	93	83	101	91	80	99	88	77	97	86	75	94	84	73	90	80	68	86	76	63	83	73	59	79	68	55	76	65	51	74	61	49	70	58	46	67	55	44
		Array Edge	96	85	74	93	83	72	91	80	69	88	78	65	86	76	62	84	74	60	80	69	55	76	64	51	73	60	47	68	56	44	65	53	42	61	50	39	58	48	37	55	45	35	
		7.5 to 15	Array Interior	103	93	85	101	90	83	98	88	80	96	85	78	93	83	76	91	81	74	87	77	69	83	73	64	80	69	60	77	65	56	74	61	53	70	58	50	67	55	48	64	52	45
		Array Edge	93	82	75	90	80	73	88	77	70	85	75	67	83	73	64	81	70	61	77	65	57	73	61	53	69	57	49	65	53	46	61	50	44	58	47	41	55	45	39	52	43	37	
	15 to 30	Array Interior	94	83	76	91	81	74	89	78	71	86	76	68	84	74	65	82	72	62	78	66	58	74	62	54	70	58	50	66	54	47	62	51	44	59	48	42	56	46	40	53	44	38	
	Array Edge	83	74	64	81	70	61	78	67	58	76	64	56	74	62	53	72	59	51	66	55	47	62	51	44	58	47	41	54	45	39	51	42	36	49	40	34	46	38	33	44	36	31		
	30 to 45	Array Interior	95	84	77	92	81	74	89	79	71	87	77	68	85	74	65	82	72	63	78	67	58	75	62	54	71	58	50	66	55	47	63	51	45	59	49	42	56	46	40	53	44	38	
	Array Edge	84	74	65	81	71	62	79	67	59	77	64	56	74	62	54	72	59	51	67	55	48	62	51	44	58	48	41	55	45	39	51	42	36	49	40	34	46	38	33	44	36	31		
	C	0 to 7.5	Array Interior	99	88	77	96	85	75	94	83	72	91	81	69	89	78	66	86	76	63	82	73	58	79	68	54	75	63	50	72	60	47	68	56	44	65	53	42	61	50	39	58	48	37
		Array Edge	88	78	65	85	75	62	83	73	59	81	70	56	78	67	54	76	65	51	73	60	47	68	56	44	63	52	41	60	49	38	56	46	36	53	44	34	50	41	32	48	39	30	
		7.5 to 15	Array Interior	96	85	78	93	83	76	90	80	73	88	78	70	86	76	67	84	74	65	80	69	60	76	64	56	73	60	52	68	56	49	64	53	46	61	50	44	58	48	41	55	45	39
		Array Edge	85	75	67	83	73	63	80	69	60	78	66	58	76	64	55	74	61	53	69	57	4																						

Maximum Rail Spans (Inches)			Everest Solar 48-X Flush-Mount Dual Rail, Open Mono Slope Roof 30-60ft, 72 Cell(L) Rail Only																																													
Ground Snow Load	Exposure Category	Panel Angle	Wind Speed ->	95 mph		100 mph		105 mph		110 mph		115 mph		120 mph		130mph		140 mph		150 mph		160 mph		170 mph		180 mph		190 mph		200 mph																		
			Roof Zone ->	1	2	3	1	2	3	1	2	3	1	2	3	1	2	3	1	2	3	1	2	3	1	2	3	1	2	3	1	2	3	1	2	3												
15 psf	B	0 to 7.5	Array Interior	92	87	83	91	85	81	90	84	80	88	83	77	87	81	75	86	80	73	84	77	68	81	75	63	79	72	59	77	68	55	75	65	51	73	61	49	70	58	46	67	55	44	65	55	45
			Array Edge	87	81	74	85	79	72	84	78	69	83	76	65	81	75	62	80	73	60	77	69	55	75	64	51	72	60	47	68	56	44	65	53	42	61	50	39	58	48	37	55	45	35			
		7.5 to 15	Array Interior	91	86	81	90	84	80	89	83	78	87	81	77	86	80	74	85	78	74	82	76	69	80	73	64	78	69	60	76	65	56	74	61	53	70	58	50	67	55	48	64	52	45	62	52	43
			Array Edge	86	79	75	84	78	73	83	76	70	81	75	67	80	73	64	78	70	61	76	65	57	73	61	53	69	57	49	65	53	46	61	50	44	58	47	41	55	45	39	52	43	37			
		15 to 30	Array Interior	92	83	76	90	81	74	89	78	71	86	76	68	84	74	65	82	72	62	78	66	58	74	62	54	70	58	50	66	54	47	62	51	44	59	48	42	56	46	40	53	44	38	51	44	38
			Array Edge	83	74	64	81	70	61	78	67	58	76	64	56	74	62	53	72	59	51	66	55	47	62	51	44	58	47	41	54	45	39	51	42	36	48	40	34	46	38	33	44	36	31			
	30 to 45	Array Interior	95	84	77	92	81	74	89	79	71	87	77	68	85	74	65	82	72	63	78	67	58	75	62	54	71	58	50	66	55	47	63	51	45	59	49	42	56	46	40	53	44	38	51	44	38	
		Array Edge	84	74	65	81	71	62	79	67	59	77	64	56	74	62	54	72	59	51	67	55	48	62	51	44	58	48	41	55	45	39	51	42	36	49	40	34	46	38	33	44	36	31				
	C	0 to 7.5	Array Interior	88	83	77	87	81	75	86	79	72	84	78	69	83	77	66	82	75	63	79	72	58	77	68	54	74	63	50	72	60	47	68	56	44	65	53	42	61	50	39	58	48	37	55	45	35
			Array Edge	83	76	65	81	74	62	79	73	59	78	70	56	77	67	54	75	65	51	72	60	47	68	56	44	63	52	41	60	49	38	56	46	36	53	44	34	50	41	32	48	39	30			
		7.5 to 15	Array Interior	87	81	77	86	80	75	84	78	73	83	76	70	82	75	67	80	74	65	78	69	60	75	64	56	73	60	47	68	56	49	64	53	46	61	50	44	58	48	41	55	45	39	52	45	38
			Array Edge	81	75	67	80	73	63	78	69	60	76	66	58	75	64	55	74	61	53	69	57	49	64	53	46	60	49	43	56	46	40	53	43	38	50	41	36	48	39	34	45	37	32			
15 to 30		Array Interior	86	76	68	84	74	65	81	71	62	79	68	59	77	65	56	75	62	54	70	58	50	65	54	47	61	50	44	57	47	41	54	44	38	51	42	36	49	40	34	46	38	33	44	36	31	
		Array Edge	76	64	56	74	61	53	71	58	51	68	56	48	65	53	46	62	51	44	58	47	41	54	44	38	50	41	36	47	38	33	44	36	31	42	34	30	40	32	28	38	31	27				
30 to 45	Array Interior	87	77	68	84	74	65	82	71	62	79	68	59	77	65	57	75	63	54	70	58	50	66	54	47	61	50	44	58	47	41	54	44	38	51	42	36	49	40	34	46	38	33	44	36	31		
	Array Edge	77	64	56	74	61	53	71	58	51	68	56	48	65	53	46	63	51	44	58	47	41	54	44	38	50	41	36	47	39	33	44	36	31	42	34	30	40	32	28	38	31	27					
D	0 to 7.5	Array Interior	86	80	74	85	79	71	84	77	68	82	76	65	81	74	62	79	73	59	77	68	54	74	63	50	72	59	47	68	56	44	64	52	41	60	50	39	57	47	37	55	45	35				
		Array Edge	80	74	61	79	72	58	77	69	55	76	66	52	74	63	50	73	60	48	68	56	44	63	52	41	59	49	38	56	46	36	52	43	33	50	41	32	47	38	30	45	37	28				
	7.5 to 15	Array Interior	85	79	74	84	77	72	82	76	69	81	74	66	79	72	63	78	69	60	75	64	56	73	60	52	68	56	49	64	53	46	60	50	43	57	47	41	54	44	39	52	42	37				
		Array Edge	79	71	62	77	68	59	76	65	57	74	62	54	72	59	52	69	57	50	64	53	46	60	49	43	56	46	40	53	43	37	50	40	35	47	38	33	44	36	31							
	15 to 30	Array Interior	83	73	64	80	69	60	78	66	58	76	63	55	74	61	53	71	58	51	66	54	47	61	50	43	57	47	41	54	44	38	51	41	36	48	39	34	45	37	32	43	35	30				
		Array Edge	73	60	52	69	57	50	66	54	47	63	52	45	61	50	43	58	48	41	54	44	38	50	41	36	47	38	33	44	36	31	41	34	29	39	32	28	37	30	26	35	29	25				
30 to 45	Array Interior	83	73	64	81	70	61	78	67	58	76	64	55	74	61	53	71	58	51	66	54	47	61	50	44	57	47	41	54	44	38	51	41	36	48	39	34	45	37	32	43	35	30					
	Array Edge	73	60	52	70	57	50	67	55	47	64	52	45	61	50	43	58	48	42	54	44	38	50	41	36	47	38	33	44	36	31	41	34	29	39	32	28	37	30	26	35	29	25					
20 psf	B	0 to 7.5	Array Interior	87	83	80	86	82	78	85	81	77	84	80	76	83	78	74	82	77	73	80	75	68	78	73	63	77	70	59	75	67	55	73	64	51	70	61	49	68	58	46	66	55	44			
			Array Edge	83	78	74	82	77	72	81	75	69	80	74	65	78	72	62	77	70	60	75	67	55	73	64	51	70	60	47	67	56	44	64	53	42	61	50	39	58	48	37	55	45	35			
		7.5 to 15	Array Interior	87	82	79	86	81	77	85	80	76	84	79	74	83	77	73	82	76	71	80	74	67	77	71	64	75	67	60	74	64	56	71	61	53	68	58	50	66	55	48	64	52	45			
			Array Edge	82	77	72	81	75	70	80	74	68	79	72	66	77	70	64	76	68	61	74	65	57	71	61	53	67	57	49	64	53	46	61	50	44	58	47	41	55	45	39	52	43	37			
		15 to 30	Array Interior	88	81	76	86	79	74	84	77	71	83	76	68	81	74	65	80	72	62	77	66	58	74	62	54	70	58	50	66	54	47	62	51	44	59	48	42	56	46	40	53	44	38			
			Array Edge	81	74	64	79	70	61	77	67	58	76	64	56	74	62	53	72	59	51	66	55	47	62	51	44	58	47	41	54	45	39	51	42	36	48	40	34	46	38	33	44	36	31			
	30 to 45	Array Interior	95	84	77	92	81	74	89	79	71	87	77	68	85	74	65	82	72	63	78	67	58	75	62	54	71	58	50	66	55	47	63	51	45	59	49	42	56	46	40	53	44	38				
		Array Edge	84	74	65	81	71	62	79	67	59	77	64	56	74	62	54	72	59	51	67	55	48	62	51	44	58	48	41	55	45	39	51	42	36	49	40	34	46	38	33	44	36	31				
	C	0 to 7.5	Array Interior	84	80	76	83	78	74	82	77	72	81	76	69	80	74	66	79	73	63	77	69	58	74	66	54	72	63	50	69	60	47	66	56	44	64	53	42	61	50	39	58	48	37			
			Array Edge	80	74	65	78	72	62	77	70	59	76	68	56	74	66	54	73	64	51	69	60	47	66	56	44	63	52	41	60	49	38	56	46	36	53	44	34	50	41	32	48	39	30			
		7.5 to 15	Array Interior	84	79	74	83	77	73	81	76	70	80	74	68	79	73	66	78	71	64	75	67	60	73	64	56	70	60	52	67	56	49	64	53	46	61	50	44	58	48	41	55	45	39			

Maximum Rail Spans (Inches)			Everest Solar 48-X Flush-Mount Dual Rail, Open Mono Slope Roof 30-60ft, 72 Cell(L) Rail Only																																															
Ground Snow Load	Exposure Category	Panel Angle	Wind Speed ->	95 mph			100 mph			105 mph			110 mph			115 mph			120 mph			130mph			140 mph			150 mph			160 mph			170 mph			180 mph			190 mph			200 mph							
			Roof Zone ->	1	2	3	1	2	3	1	2	3	1	2	3	1	2	3	1	2	3	1	2	3	1	2	3	1	2	3	1	2	3	1	2	3	1	2	3	1	2	3								
30 psf	B	0 to 7.5	Array Interior	87	83	79	86	81	78	85	80	77	84	79	75	83	78	74	82	77	73	80	75	68	78	72	63	76	69	59	74	66	55	73	64	51	70	61	49	68	58	46	65	55	44					
			Array Edge	83	78	74	81	76	72	80	75	69	79	74	65	78	72	62	77	70	60	75	66	55	72	63	51	69	60	47	66	56	44	64	53	42	61	50	39	58	48	37	55	45	35					
		7.5 to 15	Array Interior	87	82	78	85	81	77	84	79	75	83	78	74	82	77	73	81	76	71	79	73	67	77	70	63	75	67	49	73	64	56	71	61	53	68	58	50	66	55	48	63	52	45					
			Array Edge	82	77	72	81	75	70	79	74	68	78	72	65	77	70	63	76	68	61	73	64	57	70	61	53	67	57	49	64	53	46	61	50	44	58	47	41	55	45	39	52	43	37					
	15 to 30	Array Interior	85	79	75	84	78	73	83	76	71	81	75	68	80	73	65	78	71	62	76	66	58	73	62	54	70	58	50	66	54	47	62	51	44	58	47	41	54	45	39	51	42	36	48	40	34	46	38	33
		Array Edge	79	73	64	78	70	61	76	67	58	75	64	56	73	62	53	71	59	51	66	55	47	62	51	44	58	47	41	54	45	39	51	42	36	48	40	34	46	38	33	44	36	31						
	30 to 45	Array Interior	95	84	77	92	81	74	89	79	71	87	77	68	85	74	65	82	72	63	78	67	58	75	62	54	71	58	50	66	55	47	63	51	45	59	49	42	56	46	40	53	44	38	50	41	36			
		Array Edge	84	74	65	81	71	62	79	67	59	77	64	56	74	62	54	72	59	51	67	55	48	62	51	44	58	48	41	55	45	39	51	42	36	49	40	34	46	38	33	44	36	31						
	C	0 to 7.5	Array Interior	84	79	75	83	78	74	82	76	72	80	75	69	79	74	66	78	72	63	76	69	58	74	66	54	72	63	50	69	60	47	66	56	44	63	52	42	60	50	39	58	48	37	55	45	35		
			Array Edge	79	74	65	78	72	62	76	69	59	75	67	56	74	65	54	72	64	51	69	60	47	66	56	44	63	52	41	60	49	38	56	46	36	53	44	34	50	41	32	48	39	30					
		7.5 to 15	Array Interior	83	78	74	82	77	72	81	75	70	80	74	68	78	72	66	77	71	64	75	67	60	73	64	56	70	60	52	67	56	49	64	53	46	61	50	44	58	48	41	55	45	39	52	43	37		
			Array Edge	78	72	65	77	70	63	75	67	60	74	65	58	72	63	55	71	61	53	67	57	49	64	53	46	60	49	43	56	46	40	53	43	38	50	41	36	48	39	34	45	37	32					
15 to 30	Array Interior	81	75	68	80	73	65	78	70	62	76	68	59	75	65	56	74	62	54	70	58	50	65	54	47	61	50	43	57	47	41	54	44	38	51	42	36	49	40	34	46	38	33							
	Array Edge	75	64	56	73	61	53	70	58	51	68	56	48	65	53	46	62	51	44	58	47	41	54	44	38	50	41	36	47	38	33	44	36	31	42	34	30	40	32	28	38	31	27							
30 to 45	Array Interior	87	77	68	84	74	65	82	71	62	79	68	59	77	65	57	75	63	54	70	58	50	66	54	47	61	50	43	57	47	41	54	44	38	51	42	36	49	40	34	46	38	33							
	Array Edge	77	64	56	74	61	53	71	58	51	68	56	48	65	53	46	63	51	44	58	47	41	54	44	38	50	41	36	47	39	33	44	36	31	42	34	30	40	32	28	38	31	27							
D	0 to 7.5	Array Interior	83	78	74	82	76	71	80	75	68	79	73	65	78	72	62	77	70	59	75	66	54	72	63	50	69	59	47	66	56	44	63	52	41	60	50	39	57	47	37	55	45	35						
		Array Edge	78	71	61	76	69	58	75	67	55	73	65	52	72	63	50	70	60	48	66	56	44	63	52	41	59	49	38	56	46	36	53	42	33	50	41	32	47	38	30	45	37	28						
	7.5 to 15	Array Interior	82	77	72	81	75	69	79	74	67	78	72	65	77	70	63	76	68	60	73	64	56	70	60	52	67	56	49	64	53	46	60	50	43	57	47	41	54	44	39	52	42	37						
		Array Edge	77	69	62	75	67	59	74	65	57	72	62	54	70	59	52	68	57	50	64	53	46	60	49	43	56	46	40	53	43	37	50	40	35	47	38	33	44	36	31									
15 to 30	Array Interior	80	73	64	78	69	60	77	66	58	75	63	55	73	61	53	71	58	51	66	54	47	61	50	43	57	47	41	54	44	38	51	41	36	48	39	34	45	37	32	43	35	30							
	Array Edge	73	60	52	69	57	50	66	54	47	63	52	45	61	50	43	58	48	42	54	44	38	50	41	36	47	38	33	44	36	31	41	34	29	39	32	28	37	30	26	35	29	25							
30 to 45	Array Interior	83	73	64	81	70	61	78	67	58	76	64	55	74	61	53	71	58	51	66	54	47	61	50	43	57	47	41	54	44	38	51	41	36	48	39	34	45	37	32	43	35	30							
	Array Edge	73	60	52	70	57	50	67	55	47	64	52	45	61	50	43	58	48	42	54	44	38	50	41	36	47	38	33	44	36	31	41	34	29	39	32	28	37	30	26	35	29	25							
35 psf	B	0 to 7.5	Array Interior	84	80	77	83	79	75	82	78	75	82	77	74	81	76	72	80	75	71	79	74	69	77	72	66	76	68	62	74	66	59	71	62	51	68	60	53	66	58	50	64	55	45					
			Array Edge	80	76	72	79	75	70	78	73	68	77	72	65	76	70	62	75	68	60	73	65	55	70	62	51	67	59	47	65	56	44	62	53	42	60	50	39	58	48	37	55	45	35					
		7.5 to 15	Array Interior	84	80	77	83	79	75	82	78	74	81	76	73	80	75	71	79	74	69	77	72	66	75	68	62	74	66	59	71	63	56	69	60	53	66	58	50	64	55	48	62	52	45					
			Array Edge	80	75	70	79	74	68	78	72	66	76	70	64	75	68	62	74	66	60	72	63	57	68	60	53	66	57	49	63	53	46	60	50	44	58	47	41	55	45	39	52	43	37					
	15 to 30	Array Interior	84	78	74	82	76	71	81	75	69	80	74	67	78	72	65	77	70	62	75	66	58	72	62	54	69	58	50	66	54	47	62	51	44	59	48	42	56	46	40	53	44	38						
		Array Edge	78	71	64	76	69	61	75	66	58	74	64	56	72	62	53	70	59	51	66	55	47	62	51	44	58	47	41	54	45	39	51	42	36	48	40	34	46	38	33	44	36	31						
	30 to 45	Array Interior	93	84	77	91	81	74	89	79	71	87	77	68	85	74	65	82	72	63	78	67	58	75	62	54	71	58	50	66	55	47	63	51	45	59	49	42	56	46	40	53	44	38						
		Array Edge	84	74	65	81	71	62	79	67	59	77	64	56	74	62	54	72	59	51	67	55	48	62	51	44	58	48	41	55	45	39	51	42	36	49	40	34	46	38	33	44	36	31						
	C	0 to 7.5	Array Interior	82	77	74	81	76	72	80	75	70	79	74	68	77	72	66	77	70	63	75	67	58	72	64	54	70	60	52	67	59	47	65	56	44	62	53	42	60	50	39	58	48	37					
			Array Edge	77	72	65	76	70	62	75	68	59	74	66	56	72	64	54	70	62	51	67	59	47	64	56	44	61	52	41	59	49	38	56	46	36	53	44	34	50	41	32	48	39	30					
		7.5 to 15	Array Interior	81	76	72	80	75	70	79	74	68	78	72	66	77	71	65	76	69	63	74	65	59	71	62	56	68	59	52	65	56	49	62	51	44	59	48	42	56	46	40	53	44	38					
			Array Edge	76	70																																													

Maximum Rail Spans (Inches)				Everest Solar 48-X Flush-Mount Dual Rail, Open Mono Slope Roof 30-60ft, 72 Cell(L) Rail Only																																															
Ground Snow Load	Exposure Category	Panel Angle	Wind Speed ->	95 mph		100 mph		105 mph		110 mph		115 mph		120 mph		130mph		140 mph		150 mph		160 mph		170 mph		180 mph		190 mph		200 mph																					
			Roof Zone ->	1	2	3	1	2	3	1	2	3	1	2	3	1	2	3	1	2	3	1	2	3	1	2	3	1	2	3	1	2	3	1	2	3															
45 psf	B	0 to 7.5	Array Interior	80	77	74	79	76	73	78	75	72	78	74	70	77	73	69	76	72	67	75	69	64	73	67	62	71	64	59	69	62	55	67	60	51	65	58	49	63	56	46	61	54	44	61	54	44			
			Array Edge	77	73	68	76	71	66	75	70	65	74	68	63	73	67	61	72	65	60	69	62	55	67	59	51	64	57	47	62	55	44	60	52	42	58	50	39	56	48	37	54	45	35						
		7.5 to 15	Array Interior	80	76	74	79	75	72	78	74	70	77	74	69	77	72	67	76	71	66	74	68	63	72	65	60	70	63	57	68	60	55	66	58	53	64	56	50	64	56	50	62	54	48	60	52	45	60	52	45
			Array Edge	76	72	67	75	70	65	74	68	63	74	67	61	72	65	60	71	64	58	68	61	55	65	58	52	63	55	49	60	53	46	58	50	44	56	47	41	54	45	39	52	43	37						
		15 to 30	Array Interior	80	75	71	79	74	69	78	73	67	77	71	65	76	69	63	75	67	61	72	64	58	69	61	54	66	58	50	63	54	47	61	51	44	59	48	42	56	46	40	53	44	38						
			Array Edge	75	68	62	74	66	60	73	64	58	71	62	56	69	60	53	67	59	51	62	54	47	61	51	44	58	47	41	54	45	39	51	42	36	48	40	34	46	38	33	44	36	31						
	30 to 45	Array Interior	91	83	77	89	81	74	87	79	71	86	77	68	84	74	65	82	72	63	78	67	58	75	62	54	71	58	50	66	55	47	63	51	45	59	49	42	56	46	40	53	44	38							
		Array Edge	83	74	65	81	71	62	79	67	59	77	64	56	74	62	54	72	59	51	67	55	48	62	51	44	58	48	41	55	45	39	51	42	36	49	40	34	46	38	33	44	36	31							
	C	0 to 7.5	Array Interior	78	74	70	77	73	68	76	71	67	75	70	65	74	68	63	73	67	62	71	64	58	69	62	54	66	59	50	64	57	47	62	54	44	60	52	42	58	50	39	56	48	37						
			Array Edge	74	68	63	73	66	61	71	65	59	70	63	56	68	61	54	67	60	51	64	57	47	62	54	44	59	51	41	57	49	38	54	46	36	52	44	34	50	41	32	48	39	30						
		7.5 to 15	Array Interior	77	74	69	77	72	67	76	70	65	75	69	64	74	67	62	73	66	60	73	66	60	67	60	54	66	58	53	63	55	49	60	52	46	57	49	43	55	46	40	53	43	38						
			Array Edge	74	67	61	72	65	60	70	63	58	69	61	56	67	60	54	66	58	53	63	55	49	60	52	46	57	49	43	55	46	40	53	43	38	50	41	36	48	39	34	45	37	32						
15 to 30		Array Interior	77	71	65	75	69	62	74	66	60	73	65	58	71	63	56	69	61	54	66	58	50	63	54	47	60	50	44	57	47	41	54	44	38	51	42	36	49	40	34	46	38	33							
		Array Edge	71	62	56	69	60	53	66	58	51	65	56	48	63	53	46	61	51	44	58	47	41	54	44	38	50	41	36	47	38	33	44	36	31	42	34	30	40	32	28	38	31	27							
30 to 45	Array Interior	86	77	68	84	74	65	82	71	62	79	68	59	77	65	57	75	63	54	70	58	50	66	54	47	61	50	44	58	47	41	54	44	38	51	42	36	49	40	34	46	38	33								
	Array Edge	77	64	56	74	61	53	71	58	51	68	56	48	65	53	46	63	51	44	58	47	41	54	44	38	50	41	36	47	39	33	44	36	31	42	34	30	40	32	28	38	31	27								
D	0 to 7.5	Array Interior	78	74	69	77	73	68	76	71	66	75	69	64	74	68	62	73	66	59	71	63	54	68	60	50	65	57	47	63	55	44	60	52	41	58	50	39	56	47	37	54	45	35							
		Array Edge	74	67	61	73	65	58	71	63	55	69	62	52	68	60	50	66	58	48	63	55	44	60	52	41	57	49	38	55	46	36	52	43	33	50	41	32	47	38	30	45	37	28							
	7.5 to 15	Array Interior	78	73	68	77	71	66	76	70	64	75	68	62	74	66	60	72	64	59	69	61	55	66	58	52	64	56	49	61	53	46	59	50	43	56	47	41	54	44	39	52	42	37							
		Array Edge	73	66	60	71	64	58	70	62	56	68	60	54	66	58	52	64	56	50	61	53	46	58	49	43	56	46	40	53	43	37	50	40	35	47	38	33	44	36	31										
	15 to 30	Array Interior	76	69	63	75	67	60	73	65	58	72	63	55	70	61	53	68	58	51	64	54	47	61	50	43	57	47	41	54	44	38	51	41	36	48	39	34	45	37	32	43	35	30							
		Array Edge	69	60	52	67	57	50	65	54	47	63	52	45	61	50	43	58	48	41	54	44	38	50	41	36	47	38	33	44	36	31	41	34	29	39	32	28	37	30	26	35	29	25							
30 to 45	Array Interior	83	73	64	81	70	61	78	67	58	76	64	55	74	61	53	71	58	51	66	54	47	61	50	44	57	47	41	54	44	38	51	41	36	48	39	34	45	37	32	43	35	30								
	Array Edge	73	60	52	70	57	50	67	55	47	64	52	45	61	50	43	58	48	42	54	44	38	50	41	36	47	38	33	44	36	31	41	34	29	39	32	28	37	30	26	35	29	25								
50 psf	B	0 to 7.5	Array Interior	78	75	72	77	74	70	77	73	69	76	72	67	75	70	66	74	69	64	73	66	62	71	64	59	68	61	55	65	58	51	63	56	47	61	54	44	59	52	42	57	49	39	55	45	35			
			Array Edge	75	71	66	74	69	65	73	68	63	72	66	62	71	65	60	70	64	59	68	61	55	65	58	51	63	56	47	61	54	44	59	52	42	57	49	39	55	45	35									
		7.5 to 15	Array Interior	78	75	72	77	74	70	77	73	69	76	72	67	75	70	66	74	69	64	73	66	62	71	64	59	68	61	55	65	58	51	63	56	47	61	54	44	59	52	42	57	49	39	55	45	35			
			Array Edge	75	70	65	74	68	64	73	67	62	72	65	60	70	64	59	69	62	57	66	59	54	64	57	52	62	54	47	59	52	46	57	50	44	55	47	41	53	45	39	51	43	37						
		15 to 30	Array Interior	79	74	69	78	73	67	77	71	65	76	69	64	74	68	62	73	66	60	71	63	57	68	60	54	65	57	50	62	54	47	60	51	44	58	48	42	56	46	40	53	44	38						
			Array Edge	74	67	61	73	65	59	71	63	57	69	61	55	68	59	53	66	58	51	63	55	47	60	51	44	57	47	41	54	45	39	51	42	36	48	40	34	46	38	33	44	36	31						
	30 to 45	Array Interior	90	83	77	88	81	74	87	79	71	85	77	68	83	74	65	82	72	63	78	67	58	75	62	54	71	58	50	66	55	47	63	51	45	59	49	42	56	46	40	53	44	38							
		Array Edge	83	74	65	81	71	62	79	67	59	77	64	56	74	62	54	72	59	51	67	55	48	62	51	44	58	48	41	55	45	39	51	42	36	49	40	34	46	38	33	44	36	31							
	C	0 to 7.5	Array Interior	76	72	68	75	71	67	74	70	65	74	68	64	73	67	62	71	65	61	69	63	58	67	60	54	65	58	50	63	56	47	61	53	44	59	51	42	57	50	39	55	48	37						
			Array Edge	72	66	62	71	65	60	70	63	58	68	62	56	67	60	54	65	59	51	63	56	47	60	53	44	58	48	41	56	48	38	53	46	36	51	44	34	50	41	32	48	39	30						
		7.5 to 15	Array Interior	76	72	67	75	70	66	74	69	64	73	67	62	72	66	61	71	64	59	68	61	56	66	59	54	64	56	51	61	54	49	59	52	46	57	50	44	55	48	41	53	45	39						
			Array Edge	72	65	60	70	64	58	69	62	57	67	60	55	66	59	53	64	57	52	61	54	49	59	52	46	56	49	43	54	46	40	52	43	38	50	41	36	48	39	34	45	37	32						
15 to 30		Array Interior	75	69	64	74	67	62	73	65	60	71	63	58	74	66	62	73	66	60	64	57	54	65	57	50	62	54	47	59	50	44	57	47	41	54	44														

Maximum Rail Spans (Inches)			Everest Solar 48-X Flush-Mount Dual Rail, Open Mono Slope Roof 30-60ft, 72 Cell(L) Rail Only																																													
Ground Snow Load	Exposure Category	Panel Angle	Wind Speed -> Roof Zone ->	95 mph			100 mph			105 mph			110 mph			115 mph			120 mph			130mph			140 mph			150 mph			160 mph			170 mph			180 mph			190 mph			200 mph					
				1	2	3	1	2	3	1	2	3	1	2	3	1	2	3	1	2	3	1	2	3	1	2	3	1	2	3	1	2	3	1	2	3	1	2	3	1	2	3	1	2	3			
70 psf	B	0 to 7.5	Array Interior	68	68	65	68	67	64	68	66	63	68	65	62	68	64	61	67	64	60	66	62	58	65	60	56	63	58	54	62	56	52	60	55	51	59	53	49	57	51	46	56	50	44			
			Array Edge	68	64	61	67	63	60	66	62	58	65	61	57	64	60	56	64	59	55	62	57	52	60	54	50	58	52	47	56	51	44	55	49	42	53	47	39	51	45	37	50	44	35			
		7.5 to 15	Array Interior	70	68	65	70	67	64	70	66	63	69	65	62	68	64	61	68	63	59	66	61	57	64	59	55	63	58	54	61	56	51	59	53	49	57	51	43	58	52	47	56	50	46	55	49	42
			Array Edge	68	64	60	67	63	59	66	61	58	65	60	56	64	59	55	63	58	54	61	56	51	59	53	49	57	51	47	55	49	45	54	47	43	52	46	41	50	44	39	49	42	37			
	15 to 30	Array Interior	74	69	64	73	67	63	71	66	61	70	64	60	69	63	58	68	62	57	65	59	54	63	56	51	62	55	50	59	52	47	56	49	44	52	45	39	50	42	36	48	40	34	46	38	33	
		Array Edge	69	63	58	67	61	56	66	59	54	64	58	53	63	56	51	62	55	50	59	52	47	56	49	44	54	47	41	52	45	39	50	42	36	48	40	34	46	38	33	44	36	31				
	30 to 45	Array Interior	86	80	75	85	78	73	83	77	71	82	75	68	80	74	65	79	72	63	76	67	58	74	62	54	71	58	50	61	56	52	60	54	48	58	48	41	55	45	39	51	42	36	49	40	34	
		Array Edge	80	73	65	78	71	62	77	67	59	75	64	56	74	62	54	72	59	51	67	55	48	62	51	44	58	48	41	55	45	39	51	42	36	49	40	34	46	38	33	44	36	31				
	C	0 to 7.5	Array Interior	68	65	62	68	64	61	67	63	60	66	62	59	66	61	57	65	60	56	63	58	54	61	56	52	60	55	50	58	52	47	56	50	44	54	48	41	52	46	38	50	44	36			
			Array Edge	65	61	57	64	60	56	63	58	54	62	57	53	61	56	52	60	55	50	58	52	47	56	50	44	54	48	41	52	46	38	50	44	36	49	43	34	47	41	32	46	39	30			
		7.5 to 15	Array Interior	69	65	62	68	64	60	67	63	59	66	62	58	65	61	57	64	59	55	63	57	53	61	55	51	59	54	49	57	51	47	55	49	45	54	47	43	55	49	45	54	47	43	52	46	41
			Array Edge	65	60	56	64	59	55	63	57	53	62	56	52	61	55	51	59	54	49	57	51	47	55	49	44	53	47	42	51	45	40	49	43	38	47	41	36	48	41	36	46	39	34			
15 to 30	Array Interior	70	64	60	69	63	58	67	61	56	66	60	55	65	58	53	63	57	52	61	54	49	58	51	46	56	49	44	54	47	41	52	44	38	50	42	36	48	40	34	46	38	33					
	Array Edge	64	58	53	63	56	51	61	54	49	60	53	48	58	51	46	57	50	44	61	54	49	51	44	38	46	41	36	47	38	33	44	36	31	42	34	30	40	32	28	38	31	27					
30 to 45	Array Interior	82	75	68	80	73	65	79	71	62	77	68	59	76	65	57	74	63	54	70	58	50	66	54	47	61	50	44	58	47	41	54	44	38	51	42	36	49	40	34	46	38	33					
	Array Edge	75	64	56	73	61	53	71	58	51	68	56	48	65	53	46	63	51	44	58	47	41	54	44	38	50	41	36	47	39	33	44	36	31	42	34	30	40	32	28	38	31	27					
D	0 to 7.5	Array Interior	71	66	63	70	65	61	69	64	60	68	62	58	66	61	57	65	60	56	63	58	53	61	55	50	60	54	48	53	51	44	55	49	41	59	53	47	58	51	44	54	48	39	52	46	37	
		Array Edge	66	61	57	65	59	55	64	58	54	62	57	52	61	55	50	60	54	48	53	51	44	55	49	41	59	53	47	58	51	44	55	49	41	59	53	47	58	51	44	54	48	39	52	46	37	
	7.5 to 15	Array Interior	71	66	62	69	64	60	68	63	59	67	62	57	66	60	56	65	59	55	63	57	52	61	54	49	59	53	48	57	51	47	55	49	44	53	47	42	51	45	40	49	43	38	47	41	36	
		Array Edge	66	60	56	64	58	54	63	57	52	62	55	51	60	54	49	59	53	48	57	50	45	54	48	43	52	45	40	50	43	37	48	40	35	48	40	35	46	38	33	44	36	31				
15 to 30	Array Interior	70	64	59	69	62	57	67	60	55	66	59	53	64	57	52	63	55	50	60	52	47	57	50	43	57	50	43	55	47	41	52	44	38	50	41	36	48	39	34	45	37	32	43	35	30		
	Array Edge	64	56	51	62	55	49	60	53	47	59	51	45	57	50	43	55	48	41	62	54	48	51	44	38	50	41	36	47	38	33	44	36	31	42	34	30	40	32	28	37	30	26	35	29	25		
30 to 45	Array Interior	81	73	64	79	70	61	77	67	58	75	64	55	74	61	53	71	58	51	66	54	47	61	50	44	57	47	41	54	44	38	51	41	36	48	39	34	45	37	32	43	35	30					
	Array Edge	73	60	52	70	57	50	67	55	47	64	52	45	61	50	43	58	48	41	62	54	48	50	41	36	47	38	33	44	36	31	41	34	29	39	32	28	37	30	26	35	29	25					
80 psf	B	0 to 7.5	Array Interior	64	64	63	64	64	62	64	63	61	64	62	60	64	61	58	63	59	56	62	58	54	61	57	53	59	55	51	58	53	49	56	51	47	55	49	44	53	48	42	52	46	39	50	44	37
			Array Edge	64	61	59	64	60	57	63	60	56	62	59	55	62	58	54	61	57	53	59	55	51	58	53	49	56	51	47	55	49	44	53	48	42	52	46	39	50	44	37	49	43	35			
		7.5 to 15	Array Interior	66	65	63	66	64	62	66	63	60	66	63	59	65	62	58	65	61	57	63	59	55	62	57	53	60	55	52	59	54	50	57	52	48	59	54	50	57	52	48	56	51	46	55	49	45
			Array Edge	65	61	58	64	60	57	63	59	56	63	58	54	62	57	53	61	56	52	59	54	50	57	52	48	55	50	46	54	48	44	52	46	42	51	45	40	49	43	39	48	42	37			
	15 to 30	Array Interior	71	66	62	70	65	61	69	64	59	68	62	58	66	61	57	65	60	55	63	57	53	61	55	50	60	53	49	57	51	46	59	53	48	57	51	46	55	49	44	53	47	42	52	45	40	
		Array Edge	66	61	56	65	59	55	64	58	53	62	56	52	61	55	50	60	53	49	57	51	46	55	48	44	53	46	41	51	44	39	49	42	36	47	40	34	45	38	33	43	36	31				
	30 to 45	Array Interior	85	79	74	83	77	72	82	76	70	80	74	68	79	73	65	78	71	63	75	67	58	73	62	54	70	58	50	66	55	47	63	51	45	59	49	42	56	46	40	53	44	38				
		Array Edge	79	72	65	77	70	62	76	67	59	74	64	56	73	62	54	71	59	51	67	55	48	62	51	44	58	48	41	55	45	39	51	42	36	49	40	34	46	38	33	44	36	31				
	C	0 to 7.5	Array Interior	64	62	60	64	62	59	64	61	58	63	60	57	63	59	55	62	58	54	60	56	52	59	54	50	57	52	49	56	51	47	54	49	44	53	48	42	52	46	39	50	45	37			
			Array Edge	62	59	55	62	57	54	61	56	53	60	55	51	59	54	50	58	53	49	56	51	47	54	49	44	52	47	41	51	45	38	48	42	34	46	40	32	45	39	30						
		7.5 to 15	Array Interior	66	63	59	65	61	58	64	60	57	64	59	56	63	58	55	62	57	54	60	55	51	59	53	49	57	52	47	55	50	46	54	48	44	51	44	39	49	42	36	47	40	34			
			Array Edge	63	58	54	61	57	53	60	56	52	59	54	50	58	53	49	57	52	48	55	50	46	53	48	44	52	46	42	50	44	40	48	42	38	46	40	36	45	39	34	43	37	32			
15 to 30	Array Interior	68	62	58																																												



Maximum Rail Spans (Inches)			Everest Solar 48-X Flush-Mount Dual Rail, Open Mono Slope Roof 30-60ft, 72 Cell(L) Rail Only																																												
Ground Snow Load	Exposure Category	Panel Angle	Wind Speed ->																																												
			95 mph			100 mph			105 mph			110 mph			115 mph			120 mph			130mph			140 mph			150 mph			160 mph			170 mph			180 mph			190 mph			200 mph					
			Roof Zone ->																																												
			1	2	3	1	2	3	1	2	3	1	2	3	1	2	3	1	2	3	1	2	3	1	2	3	1	2	3	1	2	3	1	2	3	1	2	3	1	2	3	1	2	3	1	2	3
100 psf	B	0 to 7.5	Array Interior	58	58	58	58	58	57	58	58	56	58	58	56	58	57	55	58	57	54	58	55	53	57	54	51	56	53	50	55	51	48	54	50	47	53	49	45	52	48	44	51	46	43		
			Array Edge	58	57	55	58	56	54	58	55	53	58	55	52	57	54	51	57	53	50	55	51	48	54	50	47	53	48	45	51	47	43	50	45	42	49	44	39	48	43	37	46	41	35		
		7.5 to 15	Array Interior	59	59	58	59	59	57	59	59	56	59	58	56	59	57	55	59	57	54	59	55	52	57	54	51	56	52	49	55	51	47	54	49	46	53	48	44	51	47	43	50	45	42		
			Array Edge	59	57	54	59	56	53	59	55	52	58	54	51	57	54	50	57	53	49	55	51	48	54	49	46	52	48	44	51	46	42	49	44	41	48	43	39	47	42	38	45	40	36		
	15 to 30	Array Interior	66	62	59	65	61	57	64	60	56	63	59	55	62	58	54	61	56	53	59	54	50	58	52	48	56	51	46	54	49	44	53	47	43	51	45	41	50	44	39	48	42	38			
		Array Edge	62	57	54	61	56	52	60	55	51	59	53	49	58	52	48	56	51	47	54	49	45	52	47	42	51	45	40	49	43	39	47	41	36	45	39	34	44	38	33	42	36	31			
	30 to 45	Array Interior	80	76	72	80	75	70	79	74	68	78	72	66	77	70	64	76	68	62	73	65	58	70	61	54	67	58	50	64	55	47	62	51	45	59	49	42	56	46	40	53	44	38			
		Array Edge	76	70	63	75	67	61	74	65	59	72	63	56	70	61	54	68	59	51	65	55	48	61	51	44	58	48	41	55	45	39	51	42	36	49	40	34	46	38	33	44	36	31			
	C	0 to 7.5	Array Interior	58	58	56	58	57	55	58	56	54	58	56	53	58	55	52	57	54	51	56	53	50	55	51	48	54	50	46	52	48	45	51	47	43	50	45	42	49	44	39	48	43	37		
			Array Edge	58	55	52	57	54	51	56	53	50	56	52	49	55	51	48	54	50	47	53	48	45	51	46	43	50	45	41	48	43	38	47	42	36	45	40	34	44	39	32	43	38	30		
		7.5 to 15	Array Interior	59	58	56	59	57	55	59	56	54	59	55	53	58	55	52	58	54	51	56	52	49	55	50	47	53	49	45	52	47	44	51	46	42	49	44	41	48	43	39	47	42	38		
			Array Edge	58	54	51	57	53	50	56	52	49	55	51	48	55	50	47	54	49	46	52	47	44	50	46	42	49	44	40	47	42	38	46	41	37	44	39	35	43	38	34	42	36	32		
15 to 30	Array Interior	63	59	55	62	57	54	61	56	52	60	55	51	59	54	50	58	53	49	56	50	46	54	48	44	52	46	42	50	44	40	49	43	38	47	41	36	45	39	34	44	38	33				
	Array Edge	59	53	49	57	52	48	56	51	47	55	49	45	54	48	44	53	47	43	50	45	40	48	42	38	46	40	36	44	38	33	43	36	31	41	34	30	39	32	28	38	31	27				
30 to 45	Array Interior	78	72	66	77	70	63	75	68	61	74	66	59	73	64	57	71	62	54	67	58	50	64	54	47	61	50	44	58	47	41	54	44	38	50	41	36	47	39	33	44	36	31				
	Array Edge	72	63	56	70	61	53	68	58	51	66	56	48	64	53	46	62	51	44	58	47	41	54	44	38	50	41	36	47	39	33	44	36	31	42	34	30	40	32	28	38	31	27				
D	0 to 7.5	Array Interior	61	59	56	61	58	55	61	57	54	60	56	53	59	56	52	59	55	51	57	53	49	56	51	47	54	49	46	53	48	44	51	46	41	50	45	39	49	43	37	47	42	35			
		Array Edge	59	55	52	58	54	51	57	53	50	56	52	48	56	51	47	55	50	46	53	48	44	51	46	41	49	44	38	48	42	36	46	41	33	45	39	32	43	38	30	42	36	28			
	7.5 to 15	Array Interior	63	59	56	62	58	55	61	57	54	60	56	53	59	55	52	59	54	51	57	52	48	55	50	46	54	48	45	52	47	43	51	45	41	49	44	39	48	42	38	46	41	37			
		Array Edge	59	55	51	58	54	50	57	52	49	56	51	47	55	50	46	54	49	45	52	47	43	50	45	41	48	43	39	47	41	37	45	39	35	44	38	33	42	36	31	41	34	30			
15 to 30	Array Interior	64	59	55	63	57	53	61	56	52	60	55	50	59	53	49	58	52	48	56	50	45	53	47	43	51	45	41	49	43	38	47	41	36	46	39	34	44	37	32	42	35	30				
	Array Edge	59	53	48	57	51	47	56	50	45	55	48	44	53	47	43	52	46	41	50	43	38	47	41	36	45	38	33	43	36	31	41	34	29	39	32	28	37	30	26	35	29	25				
30 to 45	Array Interior	77	70	64	76	68	61	74	66	58	73	63	55	71	61	53	69	58	51	65	54	47	61	50	44	57	47	41	54	44	38	51	41	36	48	39	34	45	37	32	43	35	30				
	Array Edge	70	60	52	68	57	50	66	55	47	63	52	45	61	50	43	58	48	42	54	44	38	50	41	36	47	38	33	44	36	31	41	34	29	39	32	28	37	30	26	35	29	25				

Maximum Rail Spans (Inches)			Everest Solar 48-X Flush-Mount Dual Rail, Open Mono Slope Roof 30-60ft, 72 Cell(P) Rail Only																																										
Ground Snow Load	Exposure Category	Panel Angle	Wind Speed -> Roof Zone ->	95 mph			100 mph			105 mph			110 mph			115 mph			120 mph			130mph			140 mph			150 mph			160 mph			170 mph			180 mph			190 mph			200 mph		
				1	2	3	1	2	3	1	2	3	1	2	3	1	2	3	1	2	3	1	2	3	1	2	3	1	2	3	1	2	3	1	2	3	1	2	3	1	2	3	1	2	3
0 psf	B	0 to 7.5	Array Interior	86	77	68	84	75	64	82	72	61	79	70	58	78	67	55	76	64	53	72	60	49	67	56	45	63	52	42	59	49	39	56	46	37	53	44	35	51	42	33	48	40	31
			Array Edge	77	66	55	75	63	52	72	60	49	70	58	47	67	55	45	64	53	43	60	49	40	56	46	37	52	43	34	49	40	32	46	38	30	44	36	28	42	34	27	40	33	25
		7.5 to 15	Array Interior	84	75	66	81	72	63	79	69	60	77	66	58	75	63	56	73	61	53	68	57	49	64	53	46	60	49	43	56	47	41	53	44	38	50	42	36	48	39	34	46	37	33
			Array Edge	75	63	55	72	60	52	69	57	50	66	55	46	65	53	46	61	50	44	57	47	41	53	44	38	49	41	35	47	38	33	44	36	31	42	34	30	39	32	28	37	31	27
	15 to 30	Array Interior	76	64	56	73	61	53	70	58	51	68	56	49	65	54	47	62	52	45	58	48	42	54	44	39	51	42	36	48	39	34	45	37	32	42	35	30	40	33	29	38	31	27	
		Array Edge	64	53	46	61	51	44	58	48	42	56	46	40	54	44	38	52	42	37	48	39	34	44	36	32	42	34	30	39	32	28	37	30	26	35	28	25	33	27	23	31	26	22	
	30 to 45	Array Interior	76	65	56	74	62	54	71	59	51	68	56	49	65	54	47	63	52	45	58	48	42	54	45	39	51	42	36	48	39	34	45	37	32	43	35	30	40	33	29	38	31	27	
		Array Edge	65	53	46	62	51	44	59	48	42	56	46	40	54	44	39	52	43	37	48	39	34	45	37	32	42	34	30	39	32	28	37	30	26	35	28	25	33	27	23	31	26	22	
	C	0 to 7.5	Array Interior	79	70	58	77	66	55	75	64	52	73	61	50	70	58	48	68	56	46	63	52	42	59	49	39	55	45	36	52	43	34	49	40	32	46	38	30	44	36	28	42	34	27
			Array Edge	70	58	47	66	55	45	64	53	42	61	50	40	58	48	39	56	46	37	52	43	34	49	40	31	45	37	29	43	35	27	40	33	26	38	31	24	36	30	23	34	28	22
		7.5 to 15	Array Interior	77	66	58	75	63	55	72	60	53	69	58	50	67	55	48	64	53	46	60	49	43	56	46	40	52	43	37	49	40	35	46	38	33	44	36	31	42	34	30	40	32	28
			Array Edge	66	55	48	63	52	46	60	50	43	58	48	42	55	46	40	53	44	38	49	41	35	46	38	33	43	35	31	40	33	29	38	31	27	36	29	26	34	28	24	32	26	23
15 to 30	Array Interior	68	56	49	64	53	46	62	51	44	59	49	42	57	47	41	54	45	39	50	41	36	47	39	33	44	36	31	41	34	29	39	32	28	37	30	26	35	28	25	33	27	23		
	Array Edge	56	46	40	53	44	38	51	42	36	49	40	35	47	38	33	45	37	32	41	34	29	39	32	27	36	29	25	34	28	24	32	26	22	30	25	21	28	23	20	27	22	19		
30 to 45	Array Interior	68	56	49	65	54	47	62	51	44	59	49	43	57	47	41	55	45	39	51	42	36	47	39	34	44	36	31	41	34	29	39	32	28	37	30	26	35	29	25	33	27	23		
	Array Edge	56	46	40	54	44	38	51	42	36	49	40	35	47	38	33	45	37	32	42	34	29	39	32	27	36	29	26	34	28	24	32	26	22	30	25	21	28	23	20	27	22	19		
D	0 to 7.5	Array Interior	76	65	54	74	62	51	72	60	49	69	57	46	66	55	44	64	53	42	59	49	39	55	45	36	52	43	34	49	40	31	46	38	30	43	36	28	41	34	26	39	32	25	
		Array Edge	65	54	44	62	52	41	60	49	39	57	47	38	55	45	36	53	43	34	49	40	32	45	37	29	42	35	27	40	33	26	38	31	24	36	29	23	34	28	22				
	7.5 to 15	Array Interior	63	52	46	60	50	43	58	48	41	55	46	40	53	44	38	51	42	36	47	39	34	44	36	31	41	34	29	39	32	27	36	30	26	34	28	24	33	27	23				
		Array Edge	52	43	37	50	41	36	48	39	34	46	37	32	44	36	31	42	34	30	39	32	27	36	29	25	34	27	24	32	26	22	30	24	21	28	23	20	27	22	19				
15 to 30	Array Interior	64	53	46	61	50	44	58	48	42	56	46	40	53	44	38	51	42	36	47	39	34	44	36	31	41	34	29	39	32	27	36	30	26	34	28	24	33	27	23					
	Array Edge	53	43	38	50	41	36	48	39	34	46	37	32	44	36	31	42	34	30	39	32	27	36	29	26	34	28	24	32	26	22	30	24	21	28	23	20	27	22	19					
30 to 45	Array Interior	64	53	46	61	50	44	58	48	42	56	46	40	53	44	38	51	42	36	47	39	34	44	36	31	41	34	29	39	32	27	36	30	26	34	28	24	33	27	23					
	Array Edge	53	43	38	50	41	36	48	39	34	46	37	32	44	36	31	42	34	30	39	32	27	36	29	26	34	28	24	32	26	22	30	24	21	28	23	20	27	22	19					
5 psf	B	0 to 7.5	Array Interior	84	77	68	83	75	64	81	72	61	79	70	58	78	67	55	76	64	53	72	60	49	67	56	45	63	52	42	59	49	39	56	46	37	53	44	35	51	42	33	48	40	31
			Array Edge	77	66	55	75	63	52	72	60	49	70	58	47	67	55	45	64	53	43	60	49	40	56	46	37	52	43	34	49	40	32	46	38	30	44	36	28	42	34	27			
		7.5 to 15	Array Interior	83	75	66	81	72	63	79	69	60	77	66	58	75	63	56	73	61	53	68	57	49	64	53	46	60	49	43	56	47	41	53	44	38	50	42	36	48	39	34	46	37	33
			Array Edge	75	63	55	72	60	52	69	57	50	66	55	48	63	53	46	61	50	44	57	47	41	53	44	38	49	41	35	47	38	33	44	36	31	42	34	30	39	32	28	37	31	27
	15 to 30	Array Interior	76	64	56	73	61	53	70	58	51	68	56	49	65	54	47	62	52	45	58	48	42	54	44	39	51	42	36	48	39	34	45	37	32	42	35	30	40	33	29	38	31	27	
		Array Edge	64	53	46	61	51	44	58	48	42	56	46	40	54	44	38	52	42	37	48	39	34	45	37	32	42	34	30	39	32	28	37	30	26	35	28	25	33	27	23				
	30 to 45	Array Interior	76	65	56	74	62	54	71	59	51	68	56	49	65	54	47	63	52	45	58	48	42	54	45	39	51	42	36	48	39	34	45	37	32	43	35	30	40	33	29	38	31	27	
		Array Edge	65	53	46	62	51	44	59	48	42	56	46	40	54	44	39	52	43	37	48	39	34	45	37	32	42	34	30	39	32	28	37	30	26	35	28	25	33	27	23				
	C	0 to 7.5	Array Interior	79	70	58	77	66	55	75	64	52	73	61	50	70	58	48	68	56	46	63	52	42	59	49	39	55	45	36	52	43	34	49	40	32	46	38	30	44	36	28	42	34	27
			Array Edge	70	58	47	66	55	45	64	53	42	61	50	40	58	48	39	56	46	37	52	43	34	49	40	31	45	37	29	43	35	27	40	33	26	38	31	24	36	30	23			
		7.5 to 15	Array Interior	77	66	58	75	63	55	72	60	53	69	58	50	67	55	48	64	53	46	60	49	43	56	46	40	52	43	37	49	40	35	46	38	33	44	36	31	42	34	30	40	32	28
			Array Edge	66	55	48	63	52	46	60	50	43	58	48	42	55	46	40	53	44	38	49	41	35	46	38	33	43	35	31	40	33	29	38	31	27	36	29	26	34	28	24			
15 to 30	Array Interior	68	56</																																										

Maximum Rail Spans (Inches)			Everest Solar 48-X Flush-Mount Dual Rail, Open Mono Slope Roof 30-60ft, 72 Cell(P) Rail Only																																													
Ground Snow Load	Exposure Category	Panel Angle	Wind Speed -> Roof Zone ->	95 mph			100 mph			105 mph			110 mph			115 mph			120 mph			130mph			140 mph			150 mph			160 mph			170 mph			180 mph			190 mph			200 mph					
				1	2	3	1	2	3	1	2	3	1	2	3	1	2	3	1	2	3	1	2	3	1	2	3	1	2	3	1	2	3	1	2	3	1	2	3	1	2	3	1	2	3			
15 psf	B	0 to 7.5	Array Interior	74	68	63	73	66	61	71	65	60	70	63	58	68	62	55	67	60	53	64	57	49	62	54	45	59	52	42	57	49	39	55	46	37	53	44	35	51	42	33	48	40	31			
			Array Edge	68	61	55	66	59	52	65	58	49	63	56	47	62	54	45	60	53	43	57	49	40	54	46	37	52	43	34	49	40	32	46	38	30	44	36	28	42	34	27	40	33	25			
		7.5 to 15	Array Interior	73	67	62	72	65	60	70	63	58	69	62	56	67	60	55	66	58	53	63	55	49	60	53	46	58	49	43	55	47	41	53	44	38	50	42	36	48	39	34	46	37	33			
			Array Edge	67	60	54	65	58	52	63	56	50	60	52	48	60	52	46	58	50	44	55	47	41	53	44	38	49	41	35	47	38	33	44	36	31	42	34	30	39	32	28	37	31	27			
		15 to 30	Array Interior	74	64	56	72	61	53	70	58	51	68	56	49	65	54	47	62	52	45	58	48	42	54	44	39	51	42	36	48	39	34	45	37	32	42	35	30	40	33	29	38	31	27			
			Array Edge	64	53	46	61	51	44	58	48	42	56	46	40	54	44	38	52	42	37	48	39	34	44	36	32	42	34	30	39	32	28	37	30	26	35	28	25	33	27	23	31	26	22			
	30 to 45	Array Interior	76	65	56	74	62	54	71	59	51	68	56	49	65	54	47	63	52	45	58	48	42	54	45	39	51	42	36	48	39	34	45	37	32	43	35	30	40	33	29	38	31	27				
		Array Edge	65	53	46	62	51	44	59	48	42	56	46	40	54	44	39	52	43	37	48	39	34	45	37	32	42	34	30	39	32	28	37	30	26	35	28	25	33	27	23	31	26	22				
	C	0 to 7.5	Array Interior	70	63	58	68	61	55	67	60	52	65	58	50	64	56	48	62	55	46	59	52	42	57	49	39	54	45	36	52	43	34	49	40	31	45	36	27	43	34	28	46	38	30	44	36	28
			Array Edge	63	56	47	61	54	45	60	52	42	58	50	40	56	48	39	55	46	37	52	43	34	49	40	31	45	37	29	43	35	27	40	33	26	38	31	24	36	30	23	34	28	22			
		7.5 to 15	Array Interior	69	62	56	67	60	54	65	58	53	64	56	50	62	55	48	61	53	46	58	49	43	55	46	40	52	43	37	49	40	35	46	38	33	44	36	31	42	34	30	40	32	28			
			Array Edge	62	54	48	60	52	46	58	50	43	56	48	42	55	46	40	53	44	38	49	41	35	46	38	33	43	35	31	40	33	29	38	31	27	36	29	26	34	28	24	32	26	23			
15 to 30		Array Interior	68	56	49	64	53	46	62	51	44	59	49	42	57	47	41	54	45	39	50	41	36	47	39	33	44	36	31	41	34	29	39	32	28	37	30	26	35	28	25	33	27	23				
		Array Edge	56	46	40	53	44	38	51	42	36	49	40	35	47	38	33	45	37	32	41	34	29	39	32	27	36	29	25	34	28	24	32	26	22	30	25	21	28	23	20	27	22	19				
30 to 45	Array Interior	68	56	49	65	54	47	62	51	44	59	49	43	57	47	41	55	45	39	51	42	36	47	39	34	44	36	31	41	34	29	39	32	28	37	30	26	35	29	25	33	27	23					
	Array Edge	56	46	40	54	44	38	51	42	36	49	40	35	47	38	33	45	37	32	42	34	29	39	32	27	36	29	26	34	28	24	32	26	22	30	25	21	29	23	20	27	22	19					
D	0 to 7.5	Array Interior	68	61	54	66	59	51	64	57	49	63	55	46	61	54	44	60	52	42	57	49	39	54	45	36	51	43	34	49	40	31	46	38	30	43	36	28	41	34	26	39	32	25				
		Array Edge	61	53	44	59	51	41	57	49	39	55	47	38	54	45	36	52	43	34	49	40	32	45	37	29	43	35	27	40	33	26	38	31	24	36	29	23	41	34	21	32	26	20				
	7.5 to 15	Array Interior	66	59	54	65	57	52	63	55	49	61	54	47	60	52	45	58	50	43	55	46	40	52	43	37	49	40	35	46	38	33	43	36	31	41	34	29	39	32	28	37	30	26				
		Array Edge	59	51	45	57	49	43	55	47	41	54	45	39	52	43	37	50	41	36	46	38	33	43	35	31	40	33	29	38	31	27	36	29	25	34	27	24	32	26	23	30	25	21				
	15 to 30	Array Interior	63	52	46	60	50	43	58	48	41	55	46	40	53	44	38	51	42	36	47	39	34	44	36	31	41	34	29	39	32	27	36	30	26	34	28	24	33	27	23	31	25	22				
		Array Edge	52	43	37	50	41	36	48	39	34	46	37	32	44	36	31	42	34	30	39	32	27	36	29	25	34	27	24	32	26	22	30	24	21	28	23	20	27	22	19	25	21	18				
30 to 45	Array Interior	64	53	46	61	50	44	58	48	42	56	46	40	53	44	38	51	42	36	47	39	34	44	36	31	41	34	29	39	32	27	36	30	26	34	28	24	33	27	23	31	25	22					
	Array Edge	53	43	38	50	41	36	48	39	34	46	37	32	44	36	31	42	34	30	39	32	27	36	29	26	34	28	24	32	26	22	30	24	21	28	23	20	27	22	19	25	21	18					
20 psf	B	0 to 7.5	Array Interior	69	64	60	68	62	58	66	61	57	65	60	55	63	57	52	62	56	51	60	53	48	57	51	46	55	48	43	48	40	32	46	38	30	43	36	28	49	42	34	46	37	33			
			Array Edge	64	58	53	62	56	52	61	55	49	60	53	47	58	52	45	57	51	43	55	48	40	52	46	37	50	43	34	47	40	31	42	35	27	43	35	27	40	33	26	44	36	28			
		7.5 to 15	Array Interior	68	63	59	67	61	57	66	60	55	65	59	54	63	57	52	62	56	51	60	53	48	57	51	46	55	48	43	48	40	32	46	38	30	43	36	28	49	42	34	46	37	33			
			Array Edge	63	57	52	61	55	50	60	54	49	59	52	47	57	51	46	56	49	44	53	46	41	51	44	38	48	41	35	46	38	33	44	36	31	42	34	30	39	32	28	37	31	27			
		15 to 30	Array Interior	69	61	56	67	59	53	65	57	51	63	56	49	62	54	47	60	52	45	57	48	42	54	44	39	51	42	36	48	39	34	45	37	32	42	35	30	40	33	29	38	31	27			
			Array Edge	61	53	46	59	51	44	57	48	42	56	46	40	54	44	38	52	42	37	48	39	34	44	36	32	42	34	30	39	32	28	37	30	26	35	28	25	33	27	23	31	26	22			
	30 to 45	Array Interior	76	65	56	74	62	54	71	59	51	68	56	49	65	54	47	63	52	45	58	48	42	54	45	39	51	42	36	48	39	34	45	37	32	42	34	30	40	33	29	38	31	27				
		Array Edge	65	53	46	62	51	44	59	48	42	56	46	40	54	44	39	52	43	37	48	39	34	45	37	32	42	34	30	39	32	28	37	30	26	35	28	25	33	27	23	31	26	22				
	C	0 to 7.5	Array Interior	65	60	55	64	58	54	63	57	52	61	55	50	60	54	48	59	52	46	56	50	42	54	47	39	52	45	36	50	43	34	48	40	32	46	38	30	44	36	28	42	34	27			
			Array Edge	60	53	47	58	52	45	57	50	42	55	49	40	54	47	39	52	46	37	50	43	34	47	40	31	42	35	27	40	33	29	43	35	27	40	33	26	44	36	28						
		7.5 to 15	Array Interior	65	59	54	63	57	52	62	55	51	60	54	49	59	52	48	58	51	46	55	48	43	53	46	40	50	43	37	48	40	35	46	38	33	44	36	31	41	34	29	39	32	28			
			Array Edge	59	52	47	57	50	46	55	49	43	54	47	42	52	46	40	51	44	38	48	41	35	46	38	33	43	35	31	40	33	29	38	31	27	36	29	26	34	28	24	32	26	23			
15 to 30		Array Interior	66	56	49	63	53	46	61	51	44	59	49	42	57	47	41	54	45	39	50	41	36	47	39	33	44	36	31	41	34	29	39	32	28	37	30	26										

Maximum Rail Spans (Inches)			Everest Solar 48-X Flush-Mount Dual Rail, Open Mono Slope Roof 30-60ft, 72 Cell(P) Rail Only																																																
Ground Snow Load	Exposure Category	Panel Angle	Wind Speed ->	95 mph		100 mph		105 mph		110 mph		115 mph		120 mph		130mph		140 mph		150 mph		160 mph		170 mph		180 mph		190 mph		200 mph																					
			Roof Zone ->	1	2	3	1	2	3	1	2	3	1	2	3	1	2	3	1	2	3	1	2	3	1	2	3	1	2	3	1	2	3	1	2	3															
30 psf	B	0 to 7.5	Array Interior	68	63	59	67	62	58	66	60	56	65	59	55	63	58	53	62	57	52	60	54	49	58	52	45	56	50	42	54	48	39	52	46	37	50	44	35	49	42	33	47	40	31						
		Array Edge	63	57	53	62	56	52	60	54	49	59	53	47	58	52	45	57	50	43	54	48	40	52	45	37	50	43	34	48	40	32	46	38	30	44	36	28	42	34	27	40	33	25							
		7.5 to 15	Array Interior	68	62	58	66	61	57	65	59	55	64	58	54	63	57	52	62	55	51	59	53	48	57	50	46	55	48	43	53	46	41	51	44	38	49	42	36	47	39	34	45	37	33						
		Array Edge	62	56	52	61	55	50	59	53	49	58	52	47	57	50	46	55	49	44	53	46	41	50	44	38	48	41	35	46	38	33	44	36	31	42	34	30	39	32	28	37	31	27							
	15 to 30	Array Interior	66	59	54	65	58	52	63	56	51	61	54	49	60	53	47	58	51	45	56	48	42	53	44	39	50	42	36	48	39	34	45	37	32	42	35	30	40	33	29	38	31	27							
	Array Edge	59	52	46	58	50	44	56	48	42	54	46	40	53	44	38	51	42	37	48	39	34	44	36	32	42	34	30	40	32	28	37	30	26	35	28	25	33	27	23	31	26	22								
	30 to 45	Array Interior	76	65	56	74	62	54	71	59	51	68	56	49	65	54	47	63	52	45	58	48	42	54	45	39	51	42	36	48	39	34	45	37	32	43	35	30	40	33	29	38	31	27							
	Array Edge	65	53	46	62	51	44	59	48	42	56	46	40	54	44	39	52	43	37	48	39	34	45	37	32	42	34	30	39	32	28	37	30	26	35	28	25	33	27	23	31	26	22								
	C	0 to 7.5	Array Interior	65	59	55	63	58	53	62	56	52	61	55	50	59	53	48	58	52	46	56	50	42	54	47	39	51	45	36	49	43	34	47	40	32	46	38	30	44	36	28	42	34	27						
		Array Edge	59	53	47	58	51	45	56	50	42	55	48	40	53	47	39	52	46	37	50	43	34	47	40	31	45	37	29	43	35	27	41	34	29	39	32	28	37	30	26	35	28	25							
		7.5 to 15	Array Interior	64	58	54	63	56	52	61	55	50	60	53	49	58	52	47	57	51	46	55	48	43	52	46	40	50	43	37	48	40	35	46	38	33	44	36	31	42	34	30	40	32	28						
		Array Edge	58	52	47	56	50	45	55	48	43	53	47	42	52	45	40	51	44	38	48	41	35	46	38	33	43	35	31	41	33	29	38	31	27	36	29	26	34	28	24	32	26	23							
15 to 30	Array Interior	61	54	49	60	52	46	58	51	44	56	49	42	55	47	41	53	45	39	50	41	36	47	39	33	44	36	31	41	34	29	39	32	28	37	30	26	35	28	25	33	27	23								
Array Edge	54	46	40	52	44	38	51	42	36	49	40	35	47	38	33	45	37	32	43	35	30	41	34	29	39	32	27	36	29	25	34	28	24	32	26	22	30	25	21	28	23	20	27	22	19						
30 to 45	Array Interior	68	56	49	65	54	47	62	51	44	59	49	43	57	47	41	55	45	39	51	42	36	47	39	34	44	36	31	41	34	29	39	32	28	37	30	26	35	29	25	33	27	23								
Array Edge	56	46	40	54	44	38	51	42	36	49	40	35	47	38	33	45	37	32	43	35	30	41	34	29	39	32	27	36	29	26	34	28	24	32	26	22	30	25	21	29	23	20	27	22	19						
D	0 to 7.5	Array Interior	63	58	53	62	56	51	61	54	49	59	53	46	58	52	44	57	50	42	54	48	39	52	45	36	50	43	34	47	40	31	45	38	30	43	36	28	41	34	26	39	32	25							
	Array Edge	58	51	44	56	50	41	54	48	39	53	46	38	52	45	36	50	43	34	48	40	32	45	37	29	43	35	27	40	33	26	38	31	24	36	29	23	34	28	21	32	26	20								
	7.5 to 15	Array Interior	63	56	52	61	55	50	60	53	48	58	52	47	57	50	45	55	49	43	53	46	40	50	43	37	48	40	35	46	38	33	44	36	31	41	34	29	39	32	28	37	30	26							
	Array Edge	56	50	45	55	48	43	53	46	41	52	45	39	50	43	37	49	41	36	46	38	33	43	35	31	40	33	29	38	31	27	36	29	25	34	27	24	32	26	23	30	25	21								
15 to 30	Array Interior	60	52	46	58	50	43	56	48	41	55	46	40	53	44	38	51	42	36	47	39	34	44	36	31	41	34	29	39	32	27	36	30	26	34	28	24	33	27	23	31	25	22								
Array Edge	52	43	37	50	41	36	48	39	34	46	37	32	44	36	31	42	34	30	39	32	27	36	29	25	34	27	24	32	26	22	30	24	21	28	23	20	27	22	19	25	21	18									
30 to 45	Array Interior	64	53	46	61	50	44	58	48	42	56	46	40	53	44	38	51	42	36	47	39	34	44	36	31	41	34	29	39	32	27	36	30	26	34	28	24	33	27	23	31	25	22								
Array Edge	53	43	38	50	41	36	48	39	34	46	37	32	44	36	31	42	34	30	39	32	27	36	29	26	34	28	24	32	26	22	30	24	21	28	23	20	27	22	19	25	21	18									
35 psf	B	0 to 7.5	Array Interior	65	61	57	64	59	56	63	58	54	62	57	53	61	56	52	60	55	51	59	54	50	58	53	48	56	50	45	54	48	42	52	47	39	51	45	37	49	43	35	47	41	33	46	40	31			
		Array Edge	61	56	52	59	54	50	58	53	49	57	52	47	56	50	45	55	49	43	53	47	40	50	44	37	48	42	34	47	40	32	45	38	30	43	36	28	41	34	27	40	33	25							
		7.5 to 15	Array Interior	65	60	56	64	59	55	63	58	53	62	56	52	60	55	51	59	54	50	57	51	47	55	49	45	53	47	43	51	45	41	49	43	38	47	41	35	45	38	33	43	36	31	42	34	30	39	32	28
		Array Edge	60	55	50	59	53	49	58	52	47	56	50	46	55	49	45	54	48	43	51	45	41	49	43	38	47	41	35	45	38	33	43	36	31	42	34	30	39	32	28	37	31	27							
	15 to 30	Array Interior	64	58	53	63	56	51	61	55	50	60	53	48	58	52	47	57	50	45	54	47	42	52	44	39	49	42	36	47	39	34	45	37	32	42	35	30	40	33	29	38	31	27							
	Array Edge	58	51	46	56	49	44	55	48	42	53	46	40	52	44	38	50	42	37	47	39	34	44	36	32	42	34	30	39	32	28	37	30	26	35	28	25	33	27	23	31	26	22								
	30 to 45	Array Interior	75	65	56	73	62	54	71	59	51	68	56	49	65	54	47	63	52	45	58	48	42	54	45	39	51	42	36	48	39	34	45	37	32	42	34	30	40	33	29	38	31	27							
	Array Edge	65	53	46	62	51	44	59	48	42	56	46	40	54	44	39	52	43	37	48	39	34	45	37	32	42	34	30	39	32	28	37	30	26	35	28	25	33	27	23	31	26	22								
	C	0 to 7.5	Array Interior	62	57	53	61	56	52	60	54	50	58	53	49	57	52	48	56	51	46	54	48	42	52	46	39	50	44	36	48	42	34	46	40	32	45	38	30	43	36	28	41	34	26						
		Array Edge	57	52	47	56	50	45	54	49	42	53	47	40	52	46	39	51	45	37	48	42	34	46	40	31	44	37	29	42	35	27	40	33	26	38	31	24	36	30	23	34	28	22							
		7.5 to 15	Array Interior	62	56	52	60	55	51	59	53	49	58	52	48	57	51	46	55	49	45	53	47	43	51	45	40	49	43	37	47	40	35	45	38	33	43	36	31	42	34	30	40	32	28						
		Array Edge	56	50	46	55	49	44	53	47	43	52	46	42</																																					

Maximum Rail Spans (Inches)			Everest Solar 48-X Flush-Mount Dual Rail, Open Mono Slope Roof 30-60ft, 72 Cell(P) Rail Only																																															
Ground Snow Load	Exposure Category	Panel Angle	Wind Speed ->	95 mph			100 mph			105 mph			110 mph			115 mph			120 mph			130mph			140 mph			150 mph			160 mph			170 mph			180 mph			190 mph			200 mph							
			Roof Zone ->	1	2	3	1	2	3	1	2	3	1	2	3	1	2	3	1	2	3	1	2	3	1	2	3	1	2	3	1	2	3	1	2	3	1	2	3	1	2	3	1	2	3					
45 psf	B	0 to 7.5	Array Interior	60	56	54	59	55	52	58	55	51	57	54	50	57	53	49	56	52	48	54	50	46	53	48	44	51	46	42	50	45	39	48	43	37	47	41	35	45	40	33	44	39	31					
			Array Edge	56	52	49	55	51	48	55	50	46	54	49	45	53	48	44	52	47	43	50	45	40	48	43	37	46	41	34	45	39	32	43	38	30	41	36	28	40	34	27	39	33	25					
		7.5 to 15	Array Interior	60	56	53	59	55	52	58	54	51	57	53	49	56	52	48	56	51	47	54	49	45	52	47	43	50	45	41	49	43	39	47	42	38	46	40	36	44	39	34	43	37	33					
			Array Edge	56	52	48	55	50	47	54	49	45	53	48	44	52	47	43	51	46	42	49	44	40	47	42	38	45	40	35	43	38	33	42	36	31	40	34	30	39	32	28	37	31	27					
		15 to 30	Array Interior	60	55	51	59	54	49	58	52	48	57	51	46	55	49	45	54	48	44	52	46	41	50	44	39	48	41	36	46	39	34	44	37	32	42	35	30	40	33	29	38	31	27					
			Array Edge	55	49	45	54	48	43	52	46	42	51	45	40	49	43	38	48	42	37	46	39	34	44	36	32	42	34	30	39	32	28	37	30	26	35	28	25	33	27	23	31	26	22					
	30 to 45	Array Interior	73	64	56	71	62	54	69	59	51	67	56	49	65	54	47	63	52	45	60	48	42	58	46	40	56	45	39	54	42	36	51	42	36	48	39	34	45	37	32	43	35	30	40	33	29	38	31	27
		Array Edge	64	53	46	62	51	44	59	48	42	56	46	40	54	44	39	52	43	37	48	39	34	45	37	32	42	34	30	39	32	28	37	30	26	35	28	25	33	27	23	31	26	22						
	C	0 to 7.5	Array Interior	57	54	50	57	52	49	56	51	48	55	50	47	54	49	46	53	48	44	51	46	42	49	44	39	48	42	36	46	41	34	44	39	32	43	37	30	41	36	28	40	34	27					
			Array Edge	54	49	45	52	48	44	51	46	42	50	45	40	49	44	39	48	43	37	46	41	34	44	39	31	42	37	29	41	35	27	39	33	26	37	31	24	36	30	23	34	28	22					
		7.5 to 15	Array Interior	57	53	49	56	52	48	55	51	47	54	49	46	53	48	44	52	47	43	50	45	41	48	43	39	47	41	37	45	39	35	43	38	33	42	36	31	40	34	30	39	32	28					
			Array Edge	53	48	44	52	47	43	51	45	41	49	44	40	48	43	39	47	42	38	45	40	35	43	37	33	41	35	31	39	33	29	38	31	27	36	29	26	34	28	24	32	26	23					
15 to 30		Array Interior	57	51	46	55	49	45	54	48	43	52	46	42	51	45	41	50	44	39	47	41	36	45	39	33	43	36	31	41	34	29	39	32	28	37	30	26	35	28	25	33	27	23						
		Array Edge	51	45	40	49	43	38	48	42	36	46	40	35	45	38	33	44	37	32	41	34	29	39	32	27	36	29	25	34	28	24	32	26	22	30	25	21	28	23	20	27	22	19						
30 to 45	Array Interior	67	56	49	64	54	47	62	51	44	59	49	43	57	47	41	55	45	39	51	42	36	47	39	34	44	36	31	41	34	29	39	32	28	37	30	26	35	29	25	33	27	23							
	Array Edge	56	46	40	54	44	38	51	42	36	49	40	35	47	38	33	45	37	32	42	34	29	39	32	27	36	29	26	34	28	24	32	26	22	30	25	21	29	23	20	27	22	19							
D	0 to 7.5	Array Interior	58	54	50	57	52	49	56	51	47	55	50	46	54	49	44	53	47	42	51	45	39	49	43	36	47	41	34	45	39	31	43	38	30	42	36	28	40	34	26	39	32	25						
		Array Edge	54	48	44	52	47	41	51	46	39	50	44	38	49	43	36	47	42	34	45	40	32	43	37	29	41	35	27	39	33	26	38	31	24	36	29	23	34	28	21	32	26	20						
	7.5 to 15	Array Interior	58	53	49	57	51	47	55	50	46	54	49	45	53	47	43	52	46	42	50	44	40	48	42	37	46	40	35	44	38	33	42	36	31	40	34	29	39	32	28									
		Array Edge	53	47	43	51	46	42	50	44	40	49	43	39	47	42	37	46	40	36	44	38	33	42	35	31	40	33	29	38	31	27	36	29	25	34	27	24	32	26	23	30	25	21						
	15 to 30	Array Interior	56	50	45	54	48	43	53	46	41	51	45	40	50	44	38	49	42	36	46	39	34	44	36	31	41	34	29	39	32	27	36	30	26	34	28	24	33	27	23	31	25	22						
		Array Edge	50	43	37	48	41	36	46	39	34	45	37	32	44	36	31	42	34	30	39	32	27	36	29	25	34	27	24	32	26	22	30	24	21	28	23	20	27	22	19	25	21	18						
30 to 45	Array Interior	64	53	46	61	50	44	58	48	42	56	46	40	53	44	38	51	42	36	47	39	34	44	36	31	41	34	29	39	32	27	36	30	26	34	28	24	33	27	23	31	25	22							
	Array Edge	53	43	38	50	41	36	48	39	34	46	37	32	44	36	31	42	34	30	39	32	27	36	29	26	34	28	24	32	26	22	30	24	21	28	23	20	27	22	19	25	21	18							
50 psf	B	0 to 7.5	Array Interior	58	55	52	57	54	51	56	53	50	56	52	49	55	51	48	54	50	47	53	49	45	51	47	43	50	46	42	49	44	40	47	42	37	45	40	34	44	39	33	43	38	31					
			Array Edge	55	51	48	54	50	47	53	49	45	52	48	44	51	47	43	50	46	42	49	44	40	47	42	37	45	40	34	44	39	32	42	37	30	41	36	28	39	34	27	38	33	25					
		7.5 to 15	Array Interior	58	55	52	57	54	51	56	53	49	56	52	48	55	51	47	54	50	46	52	48	44	51	46	42	49	44	40	48	43	39	46	41	37	44	39	35	43	37	33	41	36	31					
			Array Edge	55	50	47	54	49	46	53	48	45	52	47	43	51	46	42	50	45	41	48	43	39	46	41	37	44	39	35	43	37	33	41	36	31	40	34	30	38	32	28	37	31	27					
		15 to 30	Array Interior	59	54	50	57	52	48	56	51	47	55	50	46	54	49	44	53	47	43	51	45	41	49	43	39	47	41	36	45	39	34	43	37	32	41	35	30	40	33	29	38	31	27					
			Array Edge	54	48	44	52	47	43	51	45	41	50	44	40	49	43	38	47	41	37	45	39	34	43	36	32	41	34	30	39	32	28	37	30	26	35	28	25	33	27	23	31	26	22					
	30 to 45	Array Interior	72	63	56	70	61	54	68	59	51	66	56	49	64	54	47	62	52	45	58	48	42	54	45	39	51	42	36	48	39	34	45	37	32	43	35	30	40	33	29	38	31	27						
		Array Edge	63	53	46	61	51	44	59	48	42	56	46	40	54	44	39	52	43	37	48	39	34	45	37	32	42	34	30	39	32	28	37	30	26	35	28	25	33	27	23	31	26	22						
	C	0 to 7.5	Array Interior	56	52	49	55	51	48	54	50	47	53	49	46	52	48	45	51	47	44	50	45	42	48	43	39	47	42	36	45	40	34	44	38	32	42	37	30	41	36	28	39	34	27					
			Array Edge	52	48	44	51	47	43	50	45	42	49	44	40	48	43	39	47	42	37	45	40	34	43	38	31	42	36	29	40	35	27	38	33	26	37	31	24	36	30	23	34	28	22					
		7.5 to 15	Array Interior	56	52	48	55	50	47	54	49	46	53	48	45	52	47	44	51	46	43	49	44	40	47	42	39	46	40	37	44	39	35	42	37	33	41	36	31	40	34	30	38	32	28					
			Array Edge	52	47	43	50	46	42	49	44	41																																						

Maximum Rail Spans (Inches)			Everest Solar 48-X Flush-Mount Dual Rail, Open Mono Slope Roof 30-60ft, 72 Cell(P) Rail Only																																													
Ground Snow Load	Exposure Category	Panel Angle	Wind Speed -> Roof Zone ->	95 mph			100 mph			105 mph			110 mph			115 mph			120 mph			130mph			140 mph			150 mph			160 mph			170 mph			180 mph			190 mph			200 mph					
				1	2	3	1	2	3	1	2	3	1	2	3	1	2	3	1	2	3	1	2	3	1	2	3	1	2	3	1	2	3	1	2	3	1	2	3	1	2	3	1	2	3			
70 psf	B	0 to 7.5	Array Interior	49	49	47	49	48	46	49	48	45	49	47	45	49	46	44	48	46	43	47	44	42	46	43	40	45	42	39	44	40	38	43	39	36	42	38	35	41	37	33	40	36	31			
			Array Edge	49	46	44	48	45	43	48	44	42	47	44	41	46	43	40	46	42	39	44	41	38	43	39	36	42	38	34	40	36	32	39	35	30	38	34	28	37	33	27	36	31	25			
		7.5 to 15	Array Interior	50	49	47	50	48	46	50	48	45	50	47	44	49	46	44	49	45	43	47	44	41	46	43	40	45	41	38	44	40	37	43	39	35	42	37	34	40	36	33	39	35	32			
			Array Edge	49	46	43	48	45	42	48	44	41	47	43	40	46	42	39	45	42	39	44	40	37	43	38	35	41	37	34	40	35	32	39	34	31	37	33	30	36	32	28	35	30	27			
	C	15 to 30	Array Interior	53	49	46	52	48	45	51	47	44	50	46	43	50	45	42	49	44	41	47	42	39	45	41	37	44	39	35	42	37	34	41	36	32	39	34	30	38	33	29	37	31	27			
			Array Edge	49	45	42	48	44	40	47	43	39	46	41	38	45	40	37	44	39	36	42	37	34	43	38	34	41	35	32	39	34	30	37	32	28	36	30	26	34	28	23	31	26	22			
		30 to 45	Array Interior	67	60	55	66	58	53	64	56	51	62	55	49	61	53	47	59	52	45	56	48	42	53	45	39	51	42	36	48	39	34	45	37	32	43	35	30	40	33	29	38	31	27			
			Array Edge	60	53	46	58	51	44	56	48	42	55	46	40	53	44	39	52	43	37	48	39	34	45	37	32	42	34	30	39	32	28	37	30	26	35	28	25	33	27	23	31	26	22			
	D	0 to 7.5	Array Interior	49	47	45	49	46	44	48	45	43	48	45	42	47	44	41	46	43	40	45	42	39	44	40	37	44	40	37	43	39	36	42	37	34	40	36	32	39	35	30	38	34	28	37	33	27
			Array Edge	47	44	41	46	43	40	45	42	39	45	41	38	44	40	37	43	39	36	43	38	35	41	37	34	40	35	32	38	34	30	37	33	29	36	32	26	35	31	24	34	29	23	33	28	22
		7.5 to 15	Array Interior	50	46	43	49	45	42	48	44	40	47	43	39	46	42	38	44	39	35	42	37	33	40	35	31	39	34	29	37	32	28	36	30	26	34	28	24	32	26	23	30	25	21	29	23	19
			Array Edge	46	41	38	45	40	37	44	39	35	43	38	34	42	37	33	41	36	32	39	34	29	37	32	27	35	29	25	34	28	24	32	26	22	30	25	21	28	23	20	27	22	19			
E	15 to 30	Array Interior	62	55	49	60	53	47	59	51	44	57	49	43	55	47	41	54	45	39	51	42	36	47	39	34	41	34	29	39	32	28	37	30	26	35	29	25	33	27	23	31	27	23				
		Array Edge	55	46	40	53	44	38	51	42	36	49	40	35	47	38	33	45	37	32	42	34	29	39	32	27	36	29	26	34	28	24	32	26	22	30	25	21	29	23	20	27	22	19				
	30 to 45	Array Interior	51	48	45	50	47	44	49	46	43	49	45	42	48	44	41	47	43	40	46	41	38	44	40	36	43	38	34	41	37	31	40	35	30	39	34	28	38	33	26	36	32	25				
		Array Edge	48	44	41	47	43	40	46	42	39	45	41	37	44	40	36	43	39	34	41	37	32	40	35	29	38	34	27	37	32	26	35	31	24	34	29	23	33	28	21	32	26	20				
80 psf	B	0 to 7.5	Array Interior	51	47	44	50	46	43	49	45	42	48	44	41	47	43	40	47	42	39	45	41	37	43	39	36	44	40	36	42	37	34	41	36	32	39	34	31	37	32	28	35	30	26			
			Array Edge	47	43	40	46	42	39	45	41	38	44	40	36	43	39	35	42	38	34	41	36	32	39	34	31	37	33	29	36	31	27	34	29	25	33	27	24	32	26	23	30	25	21			
		7.5 to 15	Array Interior	51	46	42	49	44	41	48	43	39	47	42	38	46	41	37	45	40	36	43	38	34	41	36	31	39	34	29	38	32	27	36	30	26	34	28	24	33	27	23	31	25	22			
			Array Edge	46	41	37	44	39	35	43	38	34	42	37	32	41	36	31	40	34	30	38	32	27	36	29	25	34	27	24	32	26	22	30	24	21	28	23	20	27	22	19						
	C	15 to 30	Array Interior	61	53	46	59	50	44	57	48	42	55	46	40	53	44	38	51	42	36	47	39	34	44	36	31	41	34	29	39	32	27	36	30	26	34	28	24	33	27	23	31	25	22			
			Array Edge	53	43	38	50	41	36	48	39	34	46	37	32	44	36	31	42	34	30	39	32	27	36	29	26	34	28	24	32	26	22	30	24	21	28	23	20	27	22	19						
		30 to 45	Array Interior	46	46	45	46	46	44	46	45	44	46	45	44	46	44	42	46	44	42	45	43	40	44	41	39	43	40	38	43	39	36	42	38	35	41	37	34	40	36	33	39	35	31			
			Array Edge	46	44	42	46	43	41	45	43	40	45	42	40	44	41	39	44	41	38	43	39	37	41	38	35	40	37	34	39	35	32	38	34	30	37	33	28	36	32	27	35	31	25			
	D	0 to 7.5	Array Interior	47	47	45	47	46	44	47	46	43	47	45	43	47	44	42	46	44	41	45	42	40	44	41	38	43	40	37	42	39	36	41	37	34	40	36	33	39	35	32	38	34	31			
			Array Edge	47	44	42	46	43	41	46	43	40	45	42	39	44	41	38	44	40	37	42	39	36	41	37	34	40	36	33	39	35	32	37	33	30	36	32	29	35	31	28	34	30	27			
		7.5 to 15	Array Interior	51	48	45	50	47	44	49	46	43	49	45	42	48	44	41	47	43	40	45	41	38	44	39	36	42	38	35	41	36	33	40	35	32	38	34	30	37	32	29	36	31	27			
			Array Edge	48	44	40	47	42	39	46	41	38	45	40	37	44	39	36	43	38	35	41	37	33	39	35	31	38	33	30	36	32	28	35	30	26	34	28	25	32	27	23	31	26	22			
E	15 to 30	Array Interior	65	59	54	64	57	52	62	55	50	61	54	49	59	52	47	58	51	45	55	48	42	52	45	39	50	42	36	48	39	34	45	37	32	43	35	30	40	33	29	38	31	27				
		Array Edge	59	52	46	57	50	44	55	48	42	54	46	40	52	44	39	51	43	37	48	39	34	45	37	32	36	29	26	34	28	24	32	26	22	30	24	21	28	23	20	27	22	19				
	30 to 45	Array Interior	46	45	43	46	44	42	46	44	41	46	43	41	45	42	40	44	42	39	43	40	38	42	39	36	41	38	35	40	36	34	39	35	32	38	34	30	37	33	28	36	32	27				
		Array Edge	45	42	40	44	41	39	44	40	38	43	40	37	42	39	36	42	38	35	40	37	34	39	35	31	38	34	29	36	32	27	35	31	26	34	30	24	33	29	23	32	28	22				
F	0 to 7.5	Array Interior	47	45	43	47	44	42	46	43	41	46	43	40	45	42	39	44	41	39	43	40	37	42	38	35	41	37	34	40	36	33	38	34	31	37	33	30	36	32	29	35	31	28				
		Array Edge	45	42	39	44	41	38	43	40	37	43	39	36	42	38	35	41	37	34	39	35	31	38	34	31	37	33	30	36	32	28	35	30	27	34	29	25	33	29	25	31	26	23				
	7.5 to 15	Array Interior	49	45	42	48	44	41	47	43	39	46	42	38	45	41	37	44	40	36	42	38	34	41	36	33	39	34	31	38	33	29	36	32	28	35	30	26	34	28	24	33	27	23				
		Array Edge	45	40	37	44	39	36	43	38	35	42	37	34	41	36	33	40	35	32	38	33	29	36	31	27	34	29	25	33	28	24	32	26	22	30	25	21	28	23	20	27	22	19				
G	15 to 30	Array Interior	61	54	49	59	52	47	57	50	44	56	49	43	54	47	41	53	45	39	50	42	36	47	39	34	44	36</																				

Maximum Rail Spans (Inches)			Everest Solar 48-X Flush-Mount Dual Rail, Open Mono Slope Roof 30-60ft, 72 Cell(P) Rail Only																																												
Ground Snow Load	Exposure Category	Panel Angle	Wind Speed -> Roof Zone ->	95 mph			100 mph			105 mph			110 mph			115 mph			120 mph			130mph			140 mph			150 mph			160 mph			170 mph			180 mph			190 mph			200 mph				
				1	2	3	1	2	3	1	2	3	1	2	3	1	2	3	1	2	3	1	2	3	1	2	3	1	2	3	1	2	3	1	2	3	1	2	3	1	2	3					
100 psf	B	0 to 7.5	Array Interior	41	41	41	41	41	41	41	41	40	41	41	40	41	41	39	41	41	39	41	40	38	41	39	37	40	38	36	40	37	35	39	36	34	38	35	33	37	34	32	37	33	31		
			Array Edge	41	41	39	41	40	39	41	40	38	41	39	37	41	39	37	41	38	36	40	37	35	39	36	33	38	35	32	37	34	31	36	33	30	35	32	28	34	31	27	33	30	25		
		7.5 to 15	Array Interior	43	43	42	43	43	41	43	42	40	43	42	40	43	41	39	43	41	39	42	40	37	41	39	36	40	37	35	40	36	34	39	35	33	38	34	32	37	34	31	36	33	30		
			Array Edge	43	41	39	43	40	38	42	40	38	42	39	37	41	38	36	41	38	35	40	37	34	39	35	33	37	34	32	36	33	30	35	32	29	34	31	28	34	30	27	33	29	26		
		15 to 30	Array Interior	47	44	42	46	44	41	46	43	40	45	42	40	45	41	39	44	41	38	43	39	36	41	38	35	40	36	33	39	35	32	38	34	31	37	32	29	36	31	28	35	30	27		
			Array Edge	44	41	38	44	40	37	43	39	36	42	38	36	41	38	35	41	37	34	39	35	32	38	33	30	36	32	29	35	31	28	34	29	26	32	28	25	31	27	23	30	26	22		
	30 to 45	Array Interior	62	56	52	61	55	50	59	53	49	58	52	47	57	50	46	55	49	44	53	46	42	51	44	39	48	42	36	46	39	34	44	37	32	44	37	32	43	35	30	40	33	29	38	31	27
		Array Edge	56	50	45	55	48	44	53	47	42	52	45	40	50	44	39	49	43	37	46	39	34	44	37	32	42	34	30	39	32	28	37	30	26	35	28	25	33	27	23	31	26	22			
	C	0 to 7.5	Array Interior	41	41	40	41	41	39	41	40	39	41	40	38	41	39	37	41	39	37	40	38	36	39	37	34	39	36	33	38	35	32	37	34	31	36	33	30	35	32	28	34	31	27		
			Array Edge	41	39	37	41	39	36	40	38	36	40	37	35	39	37	34	39	36	34	38	35	32	37	33	31	36	32	29	35	31	27	34	30	26	33	29	24	32	28	23	31	27	22		
		7.5 to 15	Array Interior	43	42	40	43	41	39	43	40	38	42	40	38	42	39	37	41	39	36	40	37	35	39	36	34	38	35	33	37	34	31	36	33	30	35	32	29	35	31	28	34	30	27		
			Array Edge	42	39	37	41	38	36	40	38	35	40	37	34	39	36	34	39	35	33	37	34	31	36	33	30	35	31	29	34	30	28	33	29	26	32	28	25	31	27	24	30	26	23		
		15 to 30	Array Interior	45	42	40	44	41	39	44	40	38	43	39	37	42	39	36	42	38	35	40	36	33	39	35	32	37	33	30	36	32	29	35	31	28	34	29	26	33	28	25	31	27	23		
			Array Edge	42	38	36	41	37	34	40	36	33	39	35	32	39	35	32	38	34	31	36	32	29	35	30	27	33	29	25	32	28	24	31	26	22	29	25	21	28	23	20	27	22	19		
	30 to 45	Array Interior	58	52	47	56	50	46	55	49	44	53	47	43	52	46	41	51	44	39	48	42	36	46	39	34	44	36	31	41	34	29	39	32	28	37	30	26	35	29	25	33	27	23			
		Array Edge	52	45	40	50	44	38	49	42	36	47	40	35	46	38	33	44	37	32	42	34	29	39	32	27	36	29	26	34	28	24	32	26	22	30	25	21	29	23	20	27	22	19			
	D	0 to 7.5	Array Interior	44	42	41	44	42	40	44	41	39	43	41	38	43	40	38	42	39	37	41	38	35	40	37	34	39	35	33	38	34	31	37	33	30	36	32	28	35	31	26	34	30	25		
			Array Edge	42	40	37	42	39	36	41	38	36	41	37	35	40	37	34	39	36	33	38	34	32	37	33	29	35	32	27	34	30	26	33	29	24	32	28	23	31	27	21	30	26	20		
		7.5 to 15	Array Interior	45	42	40	44	42	39	44	41	39	43	40	38	43	40	37	42	39	36	41	37	35	40	36	33	38	35	32	37	34	31	36	32	29	35	31	28	34	30	27	33	29	26		
			Array Edge	42	39	37	42	38	36	41	38	35	40	37	34	40	36	33	39	35	32	37	34	31	36	32	29	35	31	28	34	30	27	32	28	25	31	27	24	30	26	23	29	25	21		
		15 to 30	Array Interior	46	42	39	45	41	38	44	40	37	43	39	36	42	38	35	42	37	34	40	36	32	38	34	31	37	32	29	35	31	27	34	30	26	33	28	24	32	27	23	30	25	22		
			Array Edge	42	38	35	41	37	34	40	36	33	39	35	32	38	34	31	37	33	30	36	31	27	34	29	25	32	27	24	31	26	22	30	24	21	28	23	20	27	22	19	25	21	18		
	30 to 45	Array Interior	57	50	46	56	49	44	54	47	42	52	46	40	51	44	38	49	42	36	47	39	34	44	36	31	41	34	29	39	32	27	36	30	26	34	28	24	33	27	23	31	25	22			
		Array Edge	50	43	38	49	41	36	47	39	34	46	37	32	44	36	31	42	34	30	39	32	27	36	29	26	34	28	24	32	26	22	30	24	21	28	23	20	27	22	19	25	21	18			

Maximum Rail Spans (Inches)			Everest Solar 48-XL Flush-Mount Dual Rail, Open Mono Slope Roof 0-30ft, 72 Cell(L) Rail Only																																										
Ground Snow Load	Exposure Category	Panel Angle	Wind Speed ->	95 mph			100 mph			105 mph			110 mph			115 mph			120 mph			130mph			140 mph			150 mph			160 mph			170 mph			180 mph			190 mph			200 mph		
			Roof Zone ->	1	2	3	1	2	3	1	2	3	1	2	3	1	2	3	1	2	3	1	2	3	1	2	3	1	2	3	1	2	3	1	2	3	1	2	3	1	2	3			
0 psf	B	0 to 7.5	Array Interior	121	110	100	119	107	96	116	104	93	113	101	90	110	98	87	108	96	84	103	92	80	99	87	76	95	84	72	91	81	69	88	78	66	85	74	62	82	70	59	80	67	56
			Array Edge	110	98	86	107	95	83	104	92	80	101	90	78	98	87	75	96	85	73	92	81	69	87	77	65	84	72	61	81	68	57	78	64	54	74	61	50	70	58	48	67	55	45
		7.5 to 15	Array Interior	119	106	98	116	103	95	113	100	92	110	98	90	107	95	87	104	93	85	100	88	81	95	84	77	92	81	72	88	78	68	85	74	64	82	70	61	79	66	58	77	63	55
			Array Edge	106	94	87	103	92	84	100	89	81	98	86	79	95	84	77	93	82	74	88	78	68	84	73	64	81	68	60	78	64	56	74	61	53	70	57	50	66	54	47	63	52	45
	15 to 30	Array Interior	108	96	88	105	93	85	102	90	83	99	88	80	97	85	78	94	83	75	93	81	72	86	75	65	82	70	61	79	66	57	75	62	54	71	58	51	68	55	48	64	53	46	
		Array Edge	96	85	77	93	82	74	90	80	70	88	77	67	85	74	65	83	71	62	79	66	57	75	61	53	70	57	50	66	54	47	62	51	44	58	48	42	55	45	39	53	43	37	
	30 to 45	Array Interior	109	97	88	106	94	86	103	91	83	100	88	81	97	86	78	95	83	76	90	79	70	86	75	65	82	70	61	79	66	57	76	62	54	71	59	51	68	56	48	65	53	46	
		Array Edge	97	85	78	94	82	74	91	80	71	88	78	68	86	75	65	83	71	62	79	66	57	75	62	53	70	57	50	66	54	47	62	51	44	59	48	42	56	45	39	53	43	37	
	C	0 to 7.5	Array Interior	112	100	88	109	97	85	106	94	82	103	91	80	100	89	77	98	87	75	93	83	71	89	79	67	86	75	63	82	70	59	79	66	55	76	63	52	72	60	49	69	57	47
			Array Edge	100	88	77	97	86	74	94	83	71	91	81	69	89	79	67	87	76	64	83	71	59	79	66	55	75	62	51	70	58	48	66	54	45	63	51	43	60	49	40	57	46	38
		7.5 to 15	Array Interior	108	96	88	105	94	86	102	91	83	100	88	81	97	86	79	95	84	76	90	80	71	86	75	66	83	71	62	79	66	58	76	63	54	72	59	52	68	56	49	65	53	46
			Array Edge	96	85	78	94	83	75	91	80	71	88	78	68	86	75	65	84	72	63	80	67	58	75	62	54	71	58	50	66	55	47	63	51	45	59	49	42	56	46	40	53	44	38
15 to 30	Array Interior	98	87	79	95	84	76	92	81	73	90	79	70	87	77	67	85	74	64	81	68	59	77	63	55	74	60	53	68	56	49	63	52	45	59	49	42	56	46	40	52	43	37		
	Array Edge	87	76	66	84	72	63	81	69	60	79	66	57	77	63	55	74	60	53	68	56	49	63	52	45	59	49	42	56	46	40	52	43	37	50	41	35	47	38	33	45	36	32		
30 to 45	Array Interior	99	87	79	96	84	77	93	82	73	90	79	70	88	77	67	85	74	64	81	68	59	77	64	55	72	59	52	68	56	48	64	53	46	61	50	43	58	47	41	55	45	39		
	Array Edge	87	76	66	84	72	63	82	69	60	79	66	57	77	63	55	74	61	53	68	56	49	64	52	45	59	49	42	56	46	40	53	43	37	50	41	35	47	38	33	45	37	32		
D	0 to 7.5	Array Interior	107	95	83	104	92	80	101	89	78	98	87	75	96	85	73	93	82	71	89	78	67	86	75	65	82	70	61	79	66	58	78	65	54	74	61	51	70	58	48	67	55	45	
		Array Edge	95	84	72	92	81	70	89	78	69	87	76	66	84	72	63	82	69	60	79	66	58	75	62	53	70	57	50	65	54	46	61	50	44	58	47	41	55	45	39	52	42	37	
	7.5 to 15	Array Interior	93	82	74	90	80	70	88	77	67	85	74	64	83	71	62	81	68	59	76	63	55	71	58	51	67	55	47	62	51	44	59	48	42	56	46	40	53	43	37	50	41	36	
		Array Edge	82	70	61	80	67	58	77	63	55	74	61	53	71	58	50	68	56	48	63	51	45	58	48	41	55	45	39	51	42	36	48	39	34	46	37	32	43	35	31	41	34	29	
15 to 30	Array Interior	94	82	74	91	80	71	88	77	67	85	74	64	83	71	62	81	68	59	77	63	55	71	59	51	67	55	47	63	51	45	59	48	42	56	46	40	53	43	37	50	41	36		
	Array Edge	82	70	61	80	67	58	77	64	55	74	61	53	71	58	51	68	56	48	63	52	45	59	48	42	55	45	39	51	42	36	47	37	32	48	38	34	46	37	32	43	35	31		
5 psf	B	0 to 7.5	Array Interior	117	109	100	116	107	96	114	104	93	112	101	90	110	98	87	108	96	84	103	92	80	99	87	76	95	84	72	91	81	69	88	78	66	85	74	62	82	70	59	80	67	56
			Array Edge	109	98	86	107	95	83	104	92	80	101	90	78	98	87	75	96	85	73	92	81	69	87	77	65	84	72	61	81	68	57	78	64	54	74	61	50	70	58	48	67	55	45
		7.5 to 15	Array Interior	116	106	98	114	103	95	112	100	92	110	98	90	107	95	87	104	93	85	100	88	81	95	84	77	92	81	72	88	78	68	85	74	64	82	70	61	79	66	58	77	63	55
			Array Edge	106	94	87	103	92	84	100	89	81	98	86	79	95	84	77	93	82	74	88	78	68	84	73	64	81	68	60	78	64	56	74	61	53	70	57	50	66	54	47	63	52	45
	15 to 30	Array Interior	108	96	88	105	93	85	102	90	83	99	88	80	97	85	78	94	83	75	93	81	72	86	75	65	82	70	61	79	66	57	75	62	54	71	58	51	68	55	48	64	53	46	
		Array Edge	96	85	77	93	82	74	90	80	70	88	77	67	85	74	65	83	71	62	79	66	57	75	61	53	70	57	50	66	54	47	62	51	44	58	48	42	55	45	39	53	43	37	
	30 to 45	Array Interior	109	97	88	106	94	86	103	91	83	100	88	81	97	86	78	95	83	76	90	79	70	86	75	65	82	70	61	79	66	57	76	62	54	71	59	51	68	56	48	65	53	46	
		Array Edge	97	85	78	94	82	74	91	80	71	88	78	68	86	75	65	83	71	62	79	66	57	75	62	53	70	57	50	66	54	47	62	51	44	59	48	42	56	45	39	53	43	37	
	C	0 to 7.5	Array Interior	111	100	88	108	97	85	106	94	82	103	91	80	100	89	77	98	87	75	93	83	71	89	79	67	86	75	63	82	70	59	79	66	55	76	63	52	72	60	49	69	57	47
			Array Edge	100	88	77	97	86	74	94	83	71	91	81	69	89	79	67	87	76	64	83	71	59	79	66	55	75	62	51	70	58	48	66	54	45	63	51	43	60	49	40	57	46	38
		7.5 to 15	Array Interior	108	96	88	105	94	86	102	91	83	100	88	81	97	86	79	95	84	76	90	80	71	86	75	66	83	71	62	79	66	58	76	63	54	72	59	52	68	56	49	65	53	46
			Array Edge	96	85	78	94	83	75	91	80	71	88	78	68	86	75	65	84	72	63	80	67	58	75	62	54	71	58	50	66	55	47	63	51	45	59	49	42	56	46	40	53	44	38
15 to 30	Array Interior	98	87	79	95	84	76	92	81	73	90	79	70	87	77	67	85	74	64	81	68	59	77	63	55	72	59	51	68	56	48	64	52	46	60	50	43	57	47	41	55	45	39		
	Array Edge	87	76	66	84	72	63	81	69	60	79	66	57	77	63	55	74	60	53	68	56	49	63	52	45	59	49	42	56	46	40	52	43	37	50	41	35	47	38	33	45	37	32		
30 to 45	Array Interior	99	87	79	96	84	77	93	82	73	90	79	70	88	77	67	85	74	64	81	68	59	77	64	55	72																			



Maximum Rail Spans (Inches)			Everest Solar 48-XL Flush-Mount Dual Rail, Open Mono Slope Roof 0-30ft, 72 Cell(L) Rail Only																																												
Ground Snow Load	Exposure Category	Panel Angle	Wind Speed -> Roof Zone ->	95 mph			100 mph			105 mph			110 mph			115 mph			120 mph			130mph			140 mph			150 mph			160 mph			170 mph			180 mph			190 mph			200 mph				
				1	2	3	1	2	3	1	2	3	1	2	3	1	2	3	1	2	3	1	2	3	1	2	3	1	2	3	1	2	3	1	2	3	1	2	3	1	2	3	1	2	3		
15 psf	B	0 to 7.5	Array Interior	101	97	93	101	95	91	100	94	89	98	93	88	97	91	86	96	90	84	94	87	80	91	85	76	89	82	72	87	80	69	85	78	66	83	74	62	81	70	59	79	67	56		
			Array Edge	97	91	86	95	89	83	94	87	80	93	86	78	91	84	75	90	83	73	87	80	69	85	77	65	82	72	61	80	68	57	78	64	54	74	61	50	70	58	48	67	55	45		
		7.5 to 15	Array Interior	102	96	91	100	94	90	99	93	88	98	91	86	96	90	85	95	88	83	93	86	80	90	83	77	88	80	72	85	78	68	83	74	64	81	70	61	79	66	58	77	63	55		
			Array Edge	96	89	84	94	88	83	93	86	81	91	84	79	90	83	77	88	81	74	86	78	68	83	73	64	80	68	60	78	64	56	74	61	53	70	57	50	66	54	47	63	52	45		
		15 to 30	Array Interior	104	96	88	102	93	85	100	90	83	98	88	80	96	85	78	94	83	75	90	79	70	86	75	65	82	70	61	79	66	57	75	62	54	71	58	51	68	55	48	64	53	46		
			Array Edge	96	85	77	93	82	74	90	80	70	88	77	67	85	74	65	83	71	62	79	66	57	75	61	53	70	57	50	66	54	47	62	51	44	58	48	42	55	45	39	53	43	37		
	30 to 45	Array Interior	109	97	88	106	94	86	103	91	83	100	88	81	97	86	78	95	83	76	90	79	70	88	76	67	85	74	64	81	70	61	79	66	57	75	62	54	71	59	51	68	56	49	65	53	46
		Array Edge	97	85	78	94	82	74	91	80	71	88	78	68	86	75	65	83	71	62	79	66	57	75	62	53	70	57	50	66	54	47	62	51	44	59	48	42	56	45	39	53	43	37			
	C	0 to 7.5	Array Interior	98	92	87	96	90	85	95	89	82	94	87	80	92	86	77	91	84	75	88	81	71	86	79	67	83	75	63	81	70	59	79	66	55	76	63	52	72	60	49	69	57	47		
			Array Edge	92	85	77	90	83	74	89	82	71	87	80	69	86	78	67	84	76	64	81	71	59	79	66	55	75	62	51	70	58	48	66	54	45	63	51	43	60	49	40	57	46	38		
		7.5 to 15	Array Interior	97	91	86	95	89	84	94	87	82	92	86	80	91	84	79	90	82	76	87	79	71	84	75	66	82	71	62	79	66	58	76	63	54	72	59	52	68	56	49	65	53	46		
			Array Edge	91	84	78	89	82	75	87	80	71	86	78	68	84	75	65	82	72	63	79	67	58	75	62	54	71	58	50	66	55	47	63	51	45	59	49	42	56	46	40	53	44	38		
15 to 30		Array Interior	97	87	79	95	84	76	92	81	73	90	79	70	87	77	67	85	74	64	81	68	59	77	63	55	72	59	51	68	56	48	64	52	46	60	50	43	57	47	41	55	45	39			
		Array Edge	87	76	66	84	72	63	81	69	60	79	66	57	77	63	55	74	60	53	68	56	49	63	52	45	59	49	42	56	46	40	52	43	37	50	41	35	47	38	33	45	36	32			
30 to 45	Array Interior	99	87	79	96	84	77	93	82	73	90	79	70	88	77	67	85	74	64	81	68	59	77	64	55	72	59	52	68	56	48	64	53	46	61	50	43	58	47	41	55	45	39				
	Array Edge	87	76	66	84	72	63	82	69	60	79	66	57	77	63	55	74	61	53	68	56	49	64	52	45	59	49	42	56	46	40	53	43	37	50	41	35	47	38	33	45	37	32				
D	0 to 7.5	Array Interior	95	89	83	94	87	80	92	86	78	91	84	75	90	83	73	88	81	71	85	78	67	83	74	62	80	69	58	78	65	54	74	61	51	70	58	48	67	55	45	64	52	43			
		Array Edge	89	82	72	87	80	70	86	79	67	84	76	65	83	73	62	81	70	59	78	65	54	74	61	50	69	57	47	65	53	44	61	50	41	58	47	39	55	45	37	52	43	35			
	7.5 to 15	Array Interior	94	88	83	93	86	81	91	84	79	90	83	76	88	81	73	87	79	70	84	75	65	81	70	61	78	65	57	74	61	53	70	58	50	66	55	47	63	52	45	60	49	43			
		Array Edge	88	80	72	86	78	69	84	76	66	83	72	63	81	69	60	79	66	58	75	62	53	70	57	50	65	54	46	61	50	44	58	47	41	55	45	39	52	42	37	49	40	35			
	15 to 30	Array Interior	93	82	74	90	80	70	88	77	67	85	74	64	83	71	62	81	68	59	76	63	55	71	58	51	67	55	47	62	51	44	59	48	42	56	46	40	53	43	37	50	41	36			
		Array Edge	82	70	61	80	67	58	77	63	55	74	61	53	71	58	50	68	56	48	63	52	45	59	48	41	55	45	39	51	42	36	48	39	34	46	37	32	43	35	31	41	34	29			
30 to 45	Array Interior	94	82	74	91	80	71	88	77	67	85	74	64	83	71	62	81	68	59	77	63	55	71	59	51	67	55	47	63	51	45	59	48	42	56	46	40	53	43	37	50	41	36				
	Array Edge	82	70	61	80	67	58	77	63	55	74	61	53	71	58	50	68	56	48	63	52	45	59	48	41	55	45	39	51	42	36	48	39	34	46	37	32	43	35	31	41	34	29				
20 psf	B	0 to 7.5	Array Interior	96	92	89	96	91	87	95	90	86	94	89	85	93	88	83	92	86	82	90	84	80	88	82	76	86	80	72	84	78	69	82	75	66	80	72	62	79	69	59	77	67	56		
			Array Edge	92	87	83	91	86	82	90	84	80	89	83	78	88	82	75	86	80	73	84	78	69	81	74	64	79	70	59	76	66	55	73	62	51	70	58	48	66	54	45	63	51	42	60	49
		7.5 to 15	Array Interior	96	92	88	95	91	87	94	89	85	93	88	84	92	87	82	91	85	81	89	83	78	87	81	75	85	78	72	83	76	68	81	73	64	79	70	61	77	66	58	75	63	55		
			Array Edge	92	86	82	91	85	80	89	83	79	88	82	77	87	80	75	85	79	73	83	76	68	81	72	64	78	68	60	76	64	56	73	61	53	70	57	50	66	54	47	63	52	45		
		15 to 30	Array Interior	101	93	88	99	91	85	97	89	83	95	88	80	94	85	78	92	83	75	89	79	70	86	75	65	82	70	61	79	66	57	75	62	54	71	58	51	68	55	48	64	53	46		
			Array Edge	93	85	77	91	82	74	89	80	70	88	77	67	85	74	65	83	71	62	79	66	57	75	61	53	70	57	50	66	54	47	62	51	44	58	48	42	55	45	39	53	43	37		
	30 to 45	Array Interior	109	97	88	106	94	86	103	91	83	100	88	81	97	86	78	95	83	76	90	82	76	88	76	67	83	74	62	80	69	58	78	65	54	74	61	51	70	58	48	67	55	46			
		Array Edge	97	85	78	94	82	74	91	80	71	88	78	68	86	75	65	83	71	62	79	66	57	75	62	53	70	57	50	66	54	47	62	51	44	59	48	42	56	45	39	53	43	37			
	C	0 to 7.5	Array Interior	93	88	84	92	87	83	91	85	81	90	84	80	89	83	77	87	81	75	85	79	71	83	76	67	81	73	63	79	70	59	77	66	55	74	63	52	71	60	49	69	57	47		
			Array Edge	88	82	77	87	81	74	85	79	71	84	78	69	83	76	67	81	74	64	79	70	59	76	66	55	73	62	51	70	58	48	66	54	45	63	51	43	60	49	40	57	46	38		
		7.5 to 15	Array Interior	93	87	83	91	86	81	90	84	80	89	83	78	88	81	77	86	80	74	84	77	70	82	74	66	79	70	62	77	66	58	74	63	54	71	59	52	68	56	49	65	53	46		
			Array Edge	87	81	76	86	79	73	84	78	71	83	76	68	81	74	65	80	71	63	77	67	58	74	62	54	70	58	50	66	55	47	63	51	45	59	49	42	56	46	40	53	44	38		
15 to 30		Array Interior	95	87	79	93	84	76	91	81	73	89	79	70	87	77	67	85	74	64	81	68	59	77	63	55	72	59	51	6																	

Maximum Rail Spans (Inches)			Everest Solar 48-XL Flush-Mount Dual Rail, Open Mono Slope Roof 0-30ft, 72 Cell(L) Rail Only																																																
Ground Snow Load	Exposure Category	Panel Angle	Wind Speed -> Roof Zone ->	95 mph			100 mph			105 mph			110 mph			115 mph			120 mph			130mph			140 mph			150 mph			160 mph			170 mph			180 mph			190 mph			200 mph								
				1	2	3	1	2	3	1	2	3	1	2	3	1	2	3	1	2	3	1	2	3	1	2	3	1	2	3	1	2	3	1	2	3	1	2	3	1	2	3									
30 psf	B	0 to 7.5	Array Interior	95	92	88	95	91	87	94	89	86	93	88	84	92	87	83	91	86	82	89	84	79	87	81	76	85	79	72	84	77	69	82	75	66	80	72	62	78	69	59	76	67	56						
			Array Edge	92	87	83	91	85	81	89	84	80	88	83	78	87	81	75	86	80	73	84	77	69	81	74	65	79	71	62	77	68	57	75	64	54	72	61	50	69	58	48	67	55	45						
		7.5 to 15	Array Interior	96	91	88	95	90	86	94	89	85	93	87	83	92	86	82	91	85	81	88	83	78	86	80	74	85	79	72	83	75	68	80	72	64	78	69	61	79	69	61	77	66	58	74	63	55			
			Array Edge	91	86	82	90	84	80	89	83	78	87	81	77	86	80	74	85	79	72	83	75	68	80	72	64	78	68	60	75	64	56	72	61	53	69	57	50	66	54	47	63	52	45						
	15 to 30	Array Interior	95	89	84	94	88	83	92	86	81	91	84	79	90	83	78	88	81	75	86	78	70	83	75	65	81	70	61	78	66	57	75	62	54	71	58	51	68	55	48	64	53	46							
		Array Edge	89	82	77	88	81	74	86	79	70	84	77	67	83	74	65	81	71	62	78	66	57	75	61	53	70	57	50	66	54	47	62	51	44	58	48	42	55	45	39	53	43	37							
	30 to 45	Array Interior	107	97	88	104	94	86	102	91	83	100	88	81	97	86	78	95	83	76	90	79	70	86	75	65	83	71	62	79	66	57	75	62	53	70	57	50	66	54	47	62	51	44	59	48	42	65	53	46	
		Array Edge	97	85	78	94	82	74	91	80	71	88	78	68	86	75	65	83	71	62	79	66	57	75	62	53	70	57	50	66	54	47	62	51	44	59	48	42	56	45	39	53	43	37							
	C	0 to 7.5	Array Interior	93	88	84	91	86	82	90	85	81	89	84	79	88	82	77	87	81	75	85	79	71	83	76	67	80	72	63	78	69	59	76	66	55	73	63	52	71	60	49	68	57	47						
			Array Edge	88	82	77	86	80	74	85	79	71	84	77	69	82	75	67	81	73	64	79	70	59	76	66	55	72	62	51	69	58	48	66	54	45	63	51	43	60	49	40	57	46	38						
		7.5 to 15	Array Interior	92	87	83	91	85	81	90	84	79	88	83	78	87	81	76	86	80	74	84	77	70	81	74	66	79	70	62	77	66	58	74	63	54	71	59	52	68	56	49	65	53	46						
			Array Edge	87	81	76	85	79	73	84	78	71	83	75	68	81	73	65	80	71	63	77	67	58	74	62	54	70	58	50	66	55	47	63	51	45	59	49	42	56	46	40	53	44	38						
15 to 30	Array Interior	90	84	78	89	82	76	87	80	73	85	78	70	84	77	67	82	74	64	80	68	59	77	63	55	72	60	51	68	56	48	64	52	46	60	50	43	57	47	41	55	45	39								
	Array Edge	84	76	66	82	72	63	80	69	60	78	66	57	77	63	55	74	60	53	68	56	49	63	52	45	59	49	42	56	46	40	52	43	37	50	41	35	47	38	33	45	36	32								
30 to 45	Array Interior	99	87	79	96	84	77	93	82	73	90	79	70	88	77	67	85	74	64	81	68	59	77	64	55	72	59	52	68	56	48	64	53	46	61	50	43	58	47	41	55	45	39								
	Array Edge	87	76	66	84	72	63	82	69	60	79	66	57	77	63	55	74	61	53	68	56	49	64	52	45	59	49	42	56	46	40	53	43	37	50	41	35	47	38	33	45	37	32								
D	0 to 7.5	Array Interior	91	86	82	90	84	80	89	83	78	87	82	75	86	80	73	85	79	71	83	76	67	80	72	62	78	67	58	75	65	54	73	61	51	70	58	48	67	55	45	64	52	43							
		Array Edge	86	80	72	84	78	70	83	76	67	82	74	65	80	72	62	79	70	59	76	65	54	72	61	50	69	57	47	65	53	44	63	50	41	58	47	39	55	45	37	52	43	35							
	7.5 to 15	Array Interior	91	85	80	89	83	79	88	82	77	86	80	75	85	79	72	84	77	70	81	74	66	79	70	61	76	65	57	73	61	53	70	58	50	66	55	47	63	52	45	60	49	43							
		Array Edge	85	78	72	83	76	69	82	74	66	80	72	63	79	69	60	77	66	58	73	62	53	70	57	50	65	54	46	61	50	44	58	47	41	55	45	39	52	42	37	49	40	35							
15 to 30	Array Interior	89	81	74	87	79	70	85	77	67	83	74	64	82	71	62	80	68	59	76	63	55	71	58	51	67	55	47	62	51	44	59	48	42	56	46	40	53	43	37	50	41	36								
	Array Edge	81	70	61	79	67	58	77	63	55	74	61	53	71	58	51	68	56	48	63	51	45	58	48	41	55	45	39	51	42	36	48	39	34	46	37	32	43	35	31	41	34	29								
30 to 45	Array Interior	94	82	74	91	80	71	88	77	67	85	74	64	83	71	62	81	68	59	77	63	55	71	59	51	67	55	47	63	51	45	59	48	42	56	46	40	53	43	37	50	41	36								
	Array Edge	82	70	61	80	67	58	77	64	55	74	61	53	71	58	51	68	56	48	63	52	45	59	49	42	55	45	39	51	42	36	48	39	34	46	37	32	43	35	31	41	34	29								
35 psf	B	0 to 7.5	Array Interior	93	89	85	92	88	84	91	87	83	90	86	82	89	85	81	89	84	80	88	83	78	86	80	75	84	78	73	82	76	69	80	72	65	78	69	61	75	66	57	73	64	54	68	58	48	65	55	45
			Array Edge	89	85	81	88	83	80	87	82	78	86	81	77	85	80	75	84	78	73	82	76	69	80	72	65	78	69	61	75	66	57	73	64	54	70	61	50	68	58	48	65	55	45						
		7.5 to 15	Array Interior	93	89	85	92	88	84	91	87	83	90	86	82	89	84	80	88	83	78	86	81	76	84	79	73	81	74	67	79	70	64	83	76	60	73	64	56	71	61	53	68	57	50	66	54	47	63	52	45
			Array Edge	89	84	80	88	83	78	87	81	77	85	80	75	84	79	73	83	77	71	81	74	67	79	70	64	76	67	60	73	64	56	71	61	53	68	57	50	66	54	47	63	52	45						
	15 to 30	Array Interior	93	87	83	92	86	81	90	84	80	89	83	78	88	81	76	86	80	74	84	77	70	82	74	65	79	70	61	77	66	57	74	62	54	71	58	51	68	55	48	64	53	46							
		Array Edge	87	81	76	86	79	73	84	78	70	83	76	67	81	73	65	80	71	62	77	66	57	74	61	53	68	56	49	64	52	45	59	49	42	56	46	40	53	43	37	50	41	36							
	30 to 45	Array Interior	105	96	88	103	94	86	101	91	83	99	88	81	97	86	78	95	83	76	90	79	70	86	75	65	82	70	61	79	66	57	76	62	54	71	59	51	68	56	48	65	53	46							
		Array Edge	96	85	78	94	82	74	91	80	71	88	78	68	86	75	65	83	71	62	79	66	57	75	62	53	70	57	50	66	54	47	62	51	44	59	48	42	56	45	39	53	43	37							
	C	0 to 7.5	Array Interior	90	86	82	89	84	81	88	83	79	87	82	78	86	81	76	85	79	74	83	77	71	81	74	67	79	71	63	79	68	59	74	65	55	72	63	52	69	60	49	67	57	47						
			Array Edge	86	80	76	84	79	73	83	77	71	82	76	69	81	74	67	79	72	64	77	68	59	74	65	55	70	68	59	71	62	51	68	58	48	65	54	45	63	51	43	60	49	40	57	46	38			
		7.5 to 15	Array Interior	90	85	81	88	83	79	87	82	78	86	81	76	85	80	74	84	78	72	82	75	69	80	72	65	78	69	62	75	66	58	72	63	54	70	59	52	67	56	49	65	53	46						
			Array Edge	85	79	74	83	78	71	82	76	69	81	74	67	80	72	65	78	70	63	75	66	58	72	62	54	69	58	50	66	55	47	63	51	45	59	49	42	56	46	40	53	44	38						
15 to 30	Array Interior	88	82	77	87	80	75	85	79	72	84	77	70	83	75																																				

Maximum Rail Spans (Inches)			Everest Solar 48-XL Flush-Mount Dual Rail, Open Mono Slope Roof 0-30ft, 72 Cell(L) Rail Only																																													
Ground Snow Load	Exposure Category	Panel Angle	Wind Speed ->	95 mph			100 mph			105 mph			110 mph			115 mph			120 mph			130mph			140 mph			150 mph			160 mph			170 mph			180 mph			190 mph			200 mph					
			Roof Zone ->	1	2	3	1	2	3	1	2	3	1	2	3	1	2	3	1	2	3	1	2	3	1	2	3	1	2	3	1	2	3	1	2	3	1	2	3	1	2	3						
45 psf	B	0 to 7.5	Array Interior	87	85	82	87	84	81	86	83	80	86	82	79	85	81	78	84	80	77	83	79	74	81	77	71	80	74	69	79	72	66	77	70	64	75	67	61	73	65	59	71	63	56			
			Array Edge	85	81	78	84	80	76	83	79	75	82	78	73	81	77	71	81	75	70	80	74	68	78	71	65	76	67	62	73	65	59	70	62	56	68	59	53	65	57	48	63	55	45			
		7.5 to 15	Array Interior	88	85	82	87	84	81	86	83	80	86	82	79	85	81	77	84	80	76	83	78	73	81	76	70	84	76	70	79	73	67	78	70	64	76	68	62	74	65	59	72	63	57	69	61	55
			Array Edge	85	81	77	84	79	75	83	78	73	82	77	71	81	75	70	80	74	68	78	71	65	76	67	62	73	65	59	70	62	56	68	59	53	65	57	48	63	54	47	61	52	45			
	15 to 30	Array Interior	89	84	80	88	83	79	87	82	77	86	80	75	85	79	73	83	78	71	81	74	68	79	71	64	78	69	62	77	68	61	74	65	57	71	62	54	69	58	51	66	55	48	64	53	46	
		Array Edge	84	79	73	83	77	71	82	75	68	80	73	66	79	71	64	78	69	62	74	65	57	71	61	53	68	57	50	65	54	47	62	51	44	58	48	42	56	45	39	53	43	37				
	30 to 45	Array Interior	102	94	88	100	92	86	99	90	83	97	88	81	95	86	78	93	83	76	90	79	70	86	75	65	82	70	61	79	66	57	76	62	54	71	59	51	68	56	48	65	53	46				
		Array Edge	94	85	78	92	82	74	90	80	71	88	78	68	86	75	65	83	71	62	79	66	57	75	62	53	70	57	50	66	54	47	62	51	44	59	48	42	56	45	39	53	43	37				
	C	0 to 7.5	Array Interior	85	82	79	84	81	78	84	80	76	83	79	74	82	78	73	81	76	71	79	73	68	78	71	65	76	68	62	73	65	59	71	63	55	69	60	52	66	58	49	64	56	47			
			Array Edge	82	77	72	81	76	70	80	74	68	79	72	66	78	70	65	76	69	63	73	65	59	71	62	55	68	60	51	65	57	48	63	54	45	60	51	43	56	49	40	56	46	38			
		7.5 to 15	Array Interior	85	81	78	84	80	77	83	79	75	83	78	73	82	77	71	81	75	69	79	72	66	77	69	63	74	66	60	72	63	57	69	61	54	67	58	52	65	56	49	63	53	46			
			Array Edge	81	76	71	80	74	68	79	72	66	78	70	65	77	69	63	75	67	61	72	64	58	69	60	54	66	58	50	63	55	47	61	51	45	58	49	42	56	46	40	53	44	38			
15 to 30	Array Interior	85	80	74	84	78	72	82	76	70	81	74	68	80	72	66	79	70	64	76	67	59	73	63	55	69	59	51	66	56	48	64	52	46	60	50	43	57	47	41	55	45	39					
	Array Edge	80	72	65	78	69	63	76	67	60	74	65	57	72	63	55	70	60	53	67	56	49	63	52	45	59	49	42	56	46	40	52	43	37	50	41	35	47	38	33	45	36	32					
30 to 45	Array Interior	96	87	79	94	84	77	92	82	73	90	79	70	88	77	67	85	74	64	81	68	59	77	64	55	72	59	52	68	56	48	64	53	46	61	50	43	58	47	41	55	45	39					
	Array Edge	87	76	66	84	72	63	82	69	60	79	66	57	77	63	55	74	61	53	68	56	49	64	52	45	59	49	42	56	46	40	53	43	37	50	41	35	47	38	33	45	37	32					
D	0 to 7.5	Array Interior	86	82	78	85	80	77	84	79	75	83	78	73	82	77	71	81	75	69	79	72	66	77	69	62	74	66	58	72	63	54	69	60	51	67	58	48	64	55	45	62	52	43				
		Array Edge	82	76	70	80	74	68	79	72	66	78	70	64	77	68	62	75	67	61	72	63	54	69	60	52	66	57	47	63	53	44	60	50	41	58	47	39	55	45	37	52	43	35				
	7.5 to 15	Array Interior	86	81	77	85	80	75	83	78	73	82	77	71	81	75	69	80	73	67	78	70	64	75	67	60	72	64	57	70	61	53	67	58	50	65	55	47	62	52	45	60	49	43				
		Array Edge	81	75	68	80	72	66	78	70	64	77	68	62	75	66	60	73	65	58	70	61	53	67	57	50	62	54	46	61	50	44	58	47	41	55	45	39	52	42	37	49	40	35				
15 to 30	Array Interior	84	78	72	83	76	69	81	74	67	82	72	64	79	70	62	77	67	59	73	63	55	70	58	51	66	55	47	62	51	44	59	48	42	56	46	40	53	43	37	50	41	36					
	Array Edge	78	69	61	76	66	58	74	63	55	72	61	53	70	58	50	67	56	48	63	51	45	58	48	41	55	45	39	51	42	36	48	40	34	46	37	32	43	35	31	41	34	29					
30 to 45	Array Interior	93	82	74	91	80	71	88	77	67	85	74	64	83	71	62	81	68	59	77	63	55	71	59	51	67	55	47	63	51	45	59	48	42	56	46	40	53	43	37	50	41	36					
	Array Edge	82	70	61	80	67	58	77	64	55	74	61	53	71	58	51	68	56	48	63	52	45	59	48	42	55	45	39	51	42	36	48	40	34	46	37	32	43	35	31	41	34	29					
50 psf	B	0 to 7.5	Array Interior	84	83	81	84	82	80	84	81	79	84	80	78	83	80	77	82	79	75	81	77	73	80	75	70	79	73	68	77	70	65	75	68	62	73	65	60	64	56	48	62	54	45			
			Array Edge	83	79	76	82	78	75	81	77	73	80	76	71	80	75	70	79	73	68	77	70	65	75	68	62	73	65	60	70	63	57	68	60	54	66	58	50	64	56	48	62	54	45			
		7.5 to 15	Array Interior	86	83	80	85	82	79	85	81	78	84	80	77	83	79	76	82	78	74	81	76	71	79	74	68	78	71	66	76	69	63	74	67	61	71	64	58	69	61	55	67	59	53	64	56	50
			Array Edge	83	79	75	82	78	73	81	77	72	80	75	70	79	74	68	78	72	67	76	69	63	74	66	61	71	64	58	69	61	55	67	59	53	64	56	50	62	54	47	60	52	45			
	15 to 30	Array Interior	87	83	79	86	82	78	85	80	76	84	79	74	83	78	72	82	76	70	80	73	67	78	70	63	76	67	60	73	64	57	70	61	54	68	58	51	65	55	48	63	53	46				
		Array Edge	83	78	72	82	76	69	80	73	67	79	71	65	78	70	63	76	68	61	73	64	57	67	57	50	64	54	47	61	51	44	58	48	42	56	46	40	53	43	37	50	41	35				
	30 to 45	Array Interior	101	93	88	99	91	86	97	90	83	96	88	81	94	86	78	92	83	76	89	79	70	86	75	65	82	70	61	79	66	57	76	62	54	71	59	51	68	56	48	65	53	46				
		Array Edge	93	85	78	91	82	74	90	80	71	86	78	68	86	75	65	83	71	62	79	66	57	75	62	53	70	57	50	66	54	47	62	51	44	59	48	42	56	45	39	53	43	37				
	C	0 to 7.5	Array Interior	83	80	77	83	79	76	82	78	74	81	77	72	80	76	71	79	74	69	78	72	66	76	69	64	74	66	61	71	64	58	69	62	55	67	59	52	65	57	49	63	55	47			
			Array Edge	80	75	70	79	74	69	78	72	67	77	70	65	76	69	63	74	67	62	72	64	59	69	61	55	66	59	51	64	56	48	62	54	45	59	51	43	57	49	40	55	46	38			
		7.5 to 15	Array Interior	83	80	77	83	79	75	82	78	73	81	76	71	80	75	70	79	73	68	77	70	65	75	68	62	73	65	59	70	62	57	68	60	54	66	58	52	64	55	49	62	53	46			
			Array Edge	80	74	69	79	73	67	78	71	65	76	69	63	75	67	62	73	66	60	70	63	57	68	60	54	65	57	50	62	54	47	60	51	45	58	49	42	55	46	40	53	44	38			
15 to 30	Array Interior	84	78	73	82	77	71	81	75	69	83	73	67	79	71	65	78	69	63	75	66	59	71	62	55																							

Maximum Rail Spans (Inches)			Everest Solar 48-XL Flush-Mount Dual Rail, Open Mono Slope Roof 0-30ft, 72 Cell(L) Rail Only																																																
Ground Snow Load	Exposure Category	Panel Angle	Wind Speed -> Roof Zone ->	95 mph			100 mph			105 mph			110 mph			115 mph			120 mph			130mph			140 mph			150 mph			160 mph			170 mph			180 mph			190 mph			200 mph								
				1	2	3	1	2	3	1	2	3	1	2	3	1	2	3	1	2	3	1	2	3	1	2	3	1	2	3	1	2	3	1	2	3	1	2	3	1	2	3	1	2	3						
70 psf	B	0 to 7.5	Array Interior	75	75	74	75	75	73	75	75	72	75	74	71	75	73	70	75	72	69	74	70	66	73	68	64	72	67	62	70	65	60	69	63	59	67	61	57	66	60	55	64	58	53	63	57	52			
			Array Edge	75	73	69	75	72	68	75	70	67	74	69	66	73	68	64	72	67	63	70	65	61	68	63	58	67	61	56	65	59	54	63	57	52	61	55	50	60	53	48	58	51	45						
		7.5 to 15	Array Interior	77	77	74	77	76	73	77	75	72	77	74	70	77	73	69	76	72	68	75	70	66	73	68	64	71	66	61	70	64	59	68	62	57	66	60	55	64	57	53	62	55	50	60	53	49	58	52	47
			Array Edge	77	73	69	76	71	68	75	70	66	74	69	65	73	68	63	72	66	62	70	64	60	68	62	57	66	60	55	64	57	53	62	55	50	60	53	49	58	52	47	57	50	45	63	57	52			
	15 to 30	Array Interior	81	78	74	81	77	72	80	75	71	79	74	69	78	72	67	77	71	66	75	68	63	73	66	60	70	63	58	68	61	55	66	58	53	63	55	50	61	53	47	56	48	42	62	54	48	60	52	46	
		Array Edge	78	72	67	77	70	65	75	69	63	74	67	62	72	65	60	71	64	58	68	61	55	66	58	53	63	55	50	61	53	47	56	48	42	54	46	40	56	48	42	62	54	48	60	52	46				
	30 to 45	Array Interior	96	90	85	95	88	83	93	87	81	92	85	80	90	83	78	89	82	76	86	79	70	84	75	65	81	70	61	79	66	57	76	62	54	71	59	51	68	56	48	65	53	46	65	53	47				
		Array Edge	90	83	78	88	81	74	87	79	71	85	78	68	83	75	65	82	71	62	79	66	57	75	62	53	70	57	50	66	54	47	62	51	44	59	48	42	56	45	39	53	43	37							
	C	0 to 7.5	Array Interior	75	73	70	75	72	69	75	71	68	74	70	66	74	69	65	73	68	64	71	66	62	69	64	59	67	62	57	66	60	55	64	58	53	62	56	51	61	54	49	59	53	47	63	57	52			
			Array Edge	73	69	65	72	67	63	71	66	62	70	65	61	69	64	59	68	62	58	66	60	55	64	58	53	62	55	51	60	53	48	58	51	45	56	49	43	54	47	40	53	46	38						
		7.5 to 15	Array Interior	77	73	70	77	72	68	76	71	67	75	70	66	74	69	64	73	67	63	71	65	61	69	63	58	67	61	56	65	59	54	64	57	52	61	55	50	60	53	48	58	51	46	61	54	49	59	53	47
			Array Edge	73	68	64	72	67	63	71	65	61	70	64	59	69	63	58	67	61	57	65	59	54	63	56	51	61	54	49	59	52	47	57	50	45	55	48	42	53	46	40	51	44	38						
15 to 30	Array Interior	79	73	68	78	71	66	76	70	65	75	68	63	74	67	61	72	65	60	69	62	57	67	59	54	64	57	51	62	54	48	60	52	46	57	50	43	55	47	41	53	45	39	52	43	37					
	Array Edge	73	66	61	71	64	59	70	62	57	68	61	55	67	59	54	65	57	52	62	54	49	59	52	45	57	49	42	54	46	40	52	43	37	50	41	35	47	38	33	45	36	32								
30 to 45	Array Interior	91	84	79	89	82	77	88	81	73	86	79	70	85	77	67	83	74	64	80	68	59	77	64	55	72	59	52	68	56	48	64	53	46	61	50	43	58	47	41	55	45	39	51	41	35					
	Array Edge	84	76	66	82	72	63	81	69	60	79	66	57	77	63	55	74	61	53	68	56	49	64	52	45	59	49	42	56	46	40	53	43	37	50	41	35	47	38	33	45	37	32								
D	0 to 7.5	Array Interior	78	74	70	77	73	69	77	72	66	76	70	66	75	69	65	73	68	63	71	65	61	69	63	58	67	61	56	65	58	53	63	56	51	61	54	48	59	52	45	58	51	43	61	53	45				
		Array Edge	74	69	64	73	67	63	72	66	61	70	64	59	69	63	58	68	61	56	65	59	54	63	56	50	61	54	47	58	51	44	56	49	41	54	47	39	52	45	37	51	43	35							
	7.5 to 15	Array Interior	78	74	70	78	72	68	77	71	67	75	70	65	74	68	63	73	67	62	71	64	59	68	62	57	64	57	52	62	55	50	60	53	47	58	51	45	56	49	43	57	48	42	60	51	45				
		Array Edge	74	68	63	72	66	61	71	65	60	70	63	58	68	61	56	67	60	55	64	57	52	62	54	49	59	52	46	57	50	44	55	47	41	53	45	39	51	42	37	49	40	35							
15 to 30	Array Interior	79	72	67	77	70	65	76	68	63	74	67	61	73	65	59	71	63	57	68	60	54	65	57	51	62	54	47	60	51	44	57	48	42	55	46	40	53	43	37	50	41	36								
	Array Edge	72	64	59	70	62	57	68	60	55	67	59	53	65	57	50	63	55	48	60	51	45	57	48	41	54	45	39	51	42	36	48	39	34	46	37	32	43	35	31	41	34	29								
30 to 45	Array Interior	90	82	74	88	80	71	86	77	67	84	74	64	81	68	59	77	63	55	71	59	51	67	55	47	63	51	45	59	48	42	63	51	45	59	48	42	56	46	40	53	43	37	50	41	36					
	Array Edge	82	70	61	80	67	58	77	64	55	74	61	53	71	58	51	68	56	48	63	52	45	59	48	42	55	45	39	51	42	36	48	40	34	46	37	32	43	35	31	41	34	29								
80 psf	B	0 to 7.5	Array Interior	71	71	70	71	71	70	71	71	69	71	70	68	71	70	67	71	69	66	71	67	64	70	66	62	68	64	60	67	62	59	66	61	57	65	59	55	63	58	54	62	56	52	61	55	51			
			Array Edge	71	69	67	71	68	65	71	67	64	70	66	63	70	65	62	69	65	61	67	63	59	66	61	57	64	59	55	62	57	53	61	55	51	59	53	49	58	52	47	56	50	45						
		7.5 to 15	Array Interior	72	70	66	72	68	65	72	67	64	71	66	63	70	65	61	69	64	60	67	62	58	65	60	56	64	58	53	62	56	51	60	54	49	58	52	48	57	50	46	55	49	44						
			Array Edge	72	70	66	72	68	65	72	67	64	71	66	63	70	65	61	69	64	60	67	62	58	65	60	56	64	58	53	62	56	51	60	54	49	58	52	48	57	50	46	55	49	44						
	15 to 30	Array Interior	79	75	71	78	74	70	77	73	68	77	71	67	75	70	65	74	69	64	72	66	61	70	64	59	68	61	56	66	59	54	64	57	52	62	55	50	60	53	48	58	51	46							
		Array Edge	75	70	65	74	68	63	73	66	62	71	65	60	70	63	59	69	62	57	66	59	54	62	56	51	60	54	49	59	52	47	57	50	44	55	48	42	53	45	39	51	43	37							
	30 to 45	Array Interior	94	88	84	93	87	82	92	85	80	90	84	79	89	82	77	87	81	75	85	78	70	82	74	65	80	70	61	78	66	57	75	62	54	71	59	51	68	56	48	65	53	46							
		Array Edge	88	82	77	87	80	74	85	78	71	84	76	68	82	74	65	81	71	62	78	66	57	74	62	53	70	57	50	66	54	47	62	51	44	59	48	42	56	45	39	53	43	37							
	C	0 to 7.5	Array Interior	71	70	67	71	69	66	71	68	65	71	67	64	70	66	63	69	65	62	68	63	60	66	62	58	65	60	56	63	58	54	62	56	52	60	54	50	59	53	48	57	51	47						
			Array Edge	70	66	63	69	65	61	68	64	60	67	63	59	66	61	57	65	60	56	63	58	54	62	56	52	60	54	49	58	52	47	56	50	45	54	48	43	53	47	40	51	45	38						
		7.5 to 15	Array Interior	72	70	67	72	69	66	72	68	65	71	67	63	70	66	62	68	63	59	66	61	57	64	59	54	63	57	52	61	55	51	59	53	49	58	52	47	56	50	45									
			Array Edge	70	66	62	69	64	61	68	63	59	67	62	58	66	61	56	65	59	55	63	57	53	61	55	50	59	53	48	57	51	46	55	49	44	53														

Maximum Rail Spans (Inches)			Everest Solar 48-XL Flush-Mount Dual Rail, Open Mono Slope Roof 0-30ft, 72 Cell(L) Rail Only																																										
Ground Snow Load	Exposure Category	Panel Angle	Wind Speed ->																																										
			95 mph			100 mph			105 mph			110 mph			115 mph			120 mph			130mph			140 mph			150 mph			160 mph			170 mph			180 mph			190 mph			200 mph			
		Roof Zone ->	1	2	3	1	2	3	1	2	3	1	2	3	1	2	3	1	2	3	1	2	3	1	2	3	1	2	3	1	2	3	1	2	3	1	2	3	1	2	3	1	2	3	
100 psf	B	0 to 7.5	Array Interior	63	63	63	63	63	63	63	63	63	63	63	63	63	63	62	63	63	61	63	62	60	63	61	58	63	60	57	62	58	55	61	57	54	60	56	52	59	55	51	58	53	50
			Array Edge	63	63	62	63	63	61	63	63	60	63	62	59	63	61	58	63	60	57	62	59	55	61	57	54	60	55	52	58	54	50	57	52	49	56	51	47	55	49	46	53	48	44
		7.5 to 15	Array Interior	65	65	65	65	65	65	65	65	64	65	65	63	65	65	62	65	64	61	65	62	60	65	61	58	64	60	56	62	58	55	61	57	53	60	55	52	59	54	50	58	53	49
			Array Edge	65	64	62	65	64	61	65	63	60	65	62	59	65	61	58	64	60	57	62	58	55	61	56	53	60	55	51	58	53	49	57	51	47	55	50	46	54	48	44	53	47	43
		15 to 30	Array Interior	72	70	67	72	69	66	72	68	64	71	67	63	70	66	62	69	65	61	68	62	58	66	60	56	64	58	54	62	56	52	61	55	50	59	53	48	57	51	46	56	49	45
			Array Edge	70	65	62	69	64	60	68	63	59	67	61	57	66	60	56	65	59	55	62	57	52	60	54	50	58	52	48	56	50	45	55	48	44	53	46	42	51	45	39	49	43	37
		30 to 45	Array Interior	88	86	81	88	84	80	88	83	78	87	81	77	86	80	75	85	79	73	82	76	69	80	72	65	78	69	61	75	66	57	73	62	54	70	59	51	67	56	48	65	53	46
			Array Edge	86	80	74	84	78	72	83	76	69	81	74	67	80	72	65	79	70	62	76	66	57	72	62	53	69	57	50	66	54	47	62	51	44	59	48	42	56	45	39	53	43	37
	C	0 to 7.5	Array Interior	63	63	62	63	63	61	63	63	61	63	62	60	63	62	59	63	61	58	63	59	56	62	58	54	61	57	53	59	55	51	58	53	49	57	52	48	55	50	46	54	49	45
			Array Edge	63	61	59	63	60	58	63	59	56	62	59	55	62	58	54	61	57	53	59	55	51	58	53	49	56	51	47	55	50	46	53	48	44	52	46	42	50	45	40	49	43	38
		7.5 to 15	Array Interior	65	65	62	65	64	61	65	63	60	65	62	60	65	62	59	64	61	58	63	59	56	62	57	54	60	56	52	59	54	50	57	52	48	56	51	47	55	49	45	53	48	44
			Array Edge	65	61	58	64	60	57	63	59	56	62	58	55	62	57	54	61	56	52	59	54	50	57	52	48	56	50	46	54	48	44	52	47	43	51	45	41	49	44	39	48	42	38
		15 to 30	Array Interior	71	66	63	70	65	61	69	64	60	68	62	58	67	61	57	65	60	56	63	58	53	61	55	51	59	53	49	58	51	47	56	49	45	54	47	43	52	46	41	51	44	39
			Array Edge	66	61	57	65	59	55	64	58	54	62	57	52	61	55	51	60	54	49	58	51	47	55	49	44	53	47	42	51	45	40	49	43	37	47	41	35	46	38	33	44	36	32
		30 to 45	Array Interior	87	81	76	85	79	73	84	78	71	82	76	69	81	74	67	80	71	64	77	68	59	74	64	55	70	59	52	67	56	48	64	53	46	61	50	43	58	47	41	55	45	39
			Array Edge	81	73	66	79	70	63	78	68	60	76	66	57	74	63	55	71	61	53	68	56	49	64	52	45	59	49	42	56	46	40	53	43	37	50	41	35	47	38	33	45	37	32
	D	0 to 7.5	Array Interior	67	66	63	67	65	62	67	64	61	67	63	60	66	62	59	65	61	58	64	60	56	62	58	54	61	56	52	59	54	50	58	52	48	56	51	47	55	49	45	54	48	43
			Array Edge	66	62	59	65	61	57	64	60	56	63	59	55	62	58	54	61	56	53	60	54	50	58	52	48	56	50	46	54	48	44	52	47	41	51	45	39	49	43	37	48	42	35
		7.5 to 15	Array Interior	69	66	63	69	65	62	68	64	61	67	63	60	66	62	58	66	61	57	64	59	55	62	57	53	60	55	51	59	53	49	57	51	47	56	50	45	54	48	44	53	46	42
			Array Edge	66	62	58	65	60	57	64	59	55	63	58	54	62	57	53	61	56	51	59	53	49	57	51	47	55	49	45	53	47	43	51	45	41	50	43	39	48	42	37	46	40	35
		15 to 30	Array Interior	72	66	62	70	65	60	69	63	59	68	62	57	67	60	56	65	59	54	63	56	52	61	54	49	58	52	47	56	49	44	54	47	42	52	45	40	50	43	37	49	41	36
			Array Edge	66	60	55	65	58	54	63	57	52	62	55	50	60	54	49	59	52	47	56	50	45	54	47	41	52	45	39	49	42	36	47	39	34	45	37	32	43	35	31	41	34	29
		30 to 45	Array Interior	86	79	73	84	77	70	83	75	67	81	73	64	80	71	62	78	68	59	75	63	55	71	59	51	67	55	47	63	51	45	59	48	42	56	46	40	53	43	37	50	41	36
			Array Edge	79	70	61	77	67	58	75	64	55	73	61	53	71	58	51	68	56	48	63	52	45	59	48	42	55	45	39	51	42	36	48	40	34	46	37	32	43	35	31	41	34	29

Maximum Rail Spans (Inches)			Everest Solar 48-XL Flush-Mount Dual Rail, Open Mono Slope Roof 0-30ft, 72 Cell(P) Rail Only																																													
Ground Snow Load	Exposure Category	Panel Angle	Wind Speed ->	95 mph		100 mph		105 mph		110 mph		115 mph		120 mph		130mph		140 mph		150 mph		160 mph		170 mph		180 mph		190 mph		200 mph																		
			Roof Zone ->	1	2	3	1	2	3	1	2	3	1	2	3	1	2	3	1	2	3	1	2	3	1	2	3	1	2	3	1	2	3	1	2	3												
0 psf	B	0 to 7.5	Array Interior	97	88	80	96	86	77	93	83	74	91	81	72	89	79	70	87	77	68	83	72	63	79	67	58	76	63	54	71	59	50	68	56	47	64	53	45	61	50	42	58	48	40			
		Array Edge	88	78	69	86	76	66	83	72	63	81	69	60	79	67	58	77	64	55	72	59	51	67	55	47	63	52	44	59	49	41	56	46	38	53	44	36	50	41	34	48	39	33				
		7.5 to 15	Array Interior	95	85	79	93	83	76	90	81	73	88	78	70	86	76	67	84	73	64	80	68	60	76	64	56	72	60	52	68	56	49	64	53	46	61	50	44	58	48	41	55	45	39			
		Array Edge	85	75	66	83	72	63	81	69	60	78	66	58	76	63	55	73	61	53	68	56	49	64	52	46	60	49	43	56	46	40	53	44	38	50	41	36	48	39	34	45	37	32				
	15 to 30	Array Interior	87	77	67	84	73	64	82	70	61	80	67	59	78	65	56	75	62	54	70	58	50	65	54	47	61	50	44	57	47	41	54	44	39	51	42	36	49	40	35	46	38	33				
	Array Edge	77	64	56	73	61	53	70	58	51	67	56	48	65	53	46	62	51	44	58	47	41	54	44	38	50	41	36	47	39	34	44	36	32	42	34	30	40	33	28	38	31	27					
	30 to 45	Array Interior	88	78	68	85	74	65	82	71	62	80	68	59	78	65	57	76	62	54	70	58	50	65	54	47	61	50	44	58	47	41	54	45	39	51	42	37	49	40	35	46	38	33				
	Array Edge	78	64	56	74	61	53	71	58	51	68	56	49	65	54	47	62	51	45	58	48	41	54	44	38	50	41	36	47	39	34	45	36	32	42	34	30	40	33	28	38	31	27					
	C	0 to 7.5	Array Interior	90	80	71	87	78	68	85	75	66	83	72	63	81	69	60	79	66	57	74	61	53	69	57	49	65	54	45	61	50	42	58	48	40	55	45	38	52	43	36	50	41	34	47	38	33
		Array Edge	80	68	59	78	65	56	75	62	53	72	59	51	69	57	48	66	55	46	61	51	43	57	47	39	54	44	37	50	41	34	48	39	32	45	37	30	43	35	29	41	33	27				
		7.5 to 15	Array Interior	87	77	68	85	74	65	82	71	62	80	68	59	78	65	57	75	63	55	70	58	51	66	54	47	62	51	44	58	48	42	55	45	39	52	43	37	49	40	35	47	38	33			
		Array Edge	77	65	56	74	62	54	71	59	51	68	56	49	65	54	47	63	52	45	58	48	42	54	45	39	51	42	36	48	39	34	45	37	32	43	35	30	40	33	29	38	31	27				
15 to 30	Array Interior	79	66	58	77	63	55	73	60	52	69	57	50	67	55	48	64	53	46	59	49	43	55	46	40	52	43	37	49	40	35	46	38	33	43	36	31	41	34	29	39	32	28					
Array Edge	66	54	47	63	52	45	60	49	43	57	47	41	55	45	39	53	43	38	49	40	35	46	37	32	43	35	30	40	33	28	38	31	27	36	29	25	34	28	24	32	26	23						
30 to 45	Array Interior	79	66	58	77	63	55	73	60	53	70	58	50	67	55	48	65	53	46	60	49	43	56	46	40	52	43	37	49	40	35	46	38	33	43	36	31	41	34	29	39	32	28					
Array Edge	66	55	48	63	52	45	60	50	43	58	47	41	55	45	39	53	44	38	49	40	35	46	37	32	43	35	30	40	33	28	38	31	27	36	29	25	34	28	24	32	26	23						
D	0 to 7.5	Array Interior	86	76	66	83	72	63	81	69	60	79	66	57	77	64	55	74	61	52	69	57	48	64	53	45	60	50	42	57	47	39	53	44	37	51	42	36	48	39	33	46	37	31	44	35	29	
	Array Edge	76	63	54	72	60	51	69	57	49	66	55	46	64	53	44	61	51	42	57	47	39	53	44	36	50	41	34	47	38	32	44	36	30	42	34	28	40	33	28	37	30	25					
	7.5 to 15	Array Interior	83	72	63	81	69	60	78	66	57	76	63	55	73	60	53	70	58	51	65	54	47	61	50	44	57	47	41	53	44	38	50	41	36	48	39	34	45	37	32	43	35	31	41	34	29	
	Array Edge	72	60	52	69	57	50	66	54	47	63	52	45	60	50	43	58	48	42	54	44	38	50	41	36	47	38	33	44	36	31	41	34	29	39	32	28	37	30	26	35	29	25					
15 to 30	Array Interior	74	61	53	70	58	51	67	55	48	64	53	46	62	51	44	59	49	42	55	45	39	51	42	36	48	39	34	45	37	32	42	35	30	40	33	28	38	31	27	36	29	25					
Array Edge	61	50	44	58	48	42	55	46	40	53	44	38	51	42	36	49	40	35	45	37	32	42	34	30	39	32	28	37	30	26	35	28	24	33	27	23	31	25	22	29	24	21						
30 to 45	Array Interior	74	61	53	71	58	51	68	56	48	65	53	46	62	51	44	60	49	43	55	45	39	51	42	36	48	39	34	45	37	32	42	35	30	40	33	28	38	31	27	36	30	26					
Array Edge	61	50	44	58	48	42	56	46	40	53	44	38	51	42	36	49	40	35	45	37	32	42	34	30	39	32	28	37	30	26	35	28	25	33	27	23	31	25	22	30	24	21						
5 psf	B	0 to 7.5	Array Interior	94	88	80	91	83	76	91	83	74	90	81	72	88	79	70	87	77	68	83	72	63	79	67	58	76	63	54	71	59	50	68	56	47	64	53	45	61	50	42	58	48	40			
		Array Edge	88	78	69	86	76	66	83	72	63	81	69	60	79	67	58	77	64	55	72	59	51	67	55	47	63	52	44	59	49	41	56	46	38	53	44	36	50	41	34	48	39	33				
		7.5 to 15	Array Interior	93	85	79	91	83	76	90	81	73	88	78	70	86	76	67	84	73	64	80	68	60	76	64	56	72	60	52	68	56	49	64	53	46	61	50	44	58	48	41	55	45	39			
		Array Edge	85	75	66	83	72	63	81	69	60	78	66	58	76	63	55	73	61	53	68	56	49	64	52	46	60	49	43	56	46	40	53	44	38	50	41	36	48	39	34	45	37	32				
	15 to 30	Array Interior	87	77	67	84	73	64	82	70	61	80	67	59	78	65	56	75	62	54	70	58	50	65	54	47	61	50	44	57	47	41	54	44	39	51	42	36	49	40	35	46	38	33				
	Array Edge	77	64	56	73	61	53	70	58	51	67	56	48	65	53	46	62	51	44	58	47	41	54	44	38	50	41	36	47	39	34	44	36	32	42	34	30	40	33	28	38	31	27					
	30 to 45	Array Interior	88	78	68	85	74	65	82	71	62	80	68	59	78	65	57	76	62	54	70	58	50	65	54	47	61	50	44	58	47	41	54	45	39	51	42	37	49	40	35	46	38	33				
	Array Edge	78	64	56	74	61	53	71	58	51	68	56	49	65	54	47	62	51	45	58	48	41	54	44	38	50	41	36	47	39	34	45	36	32	42	34	30	40	33	28	38	31	27					
	C	0 to 7.5	Array Interior	89	80	71	87	78	68	85	75	66	83	72	63	81	69	60	79	66	57	74	61	53	69	57	49	65	54	45	61	50	42	58	48	40	55	45	38	52	43	36	50	41	34			
		Array Edge	80	68	59	78	65	56	75	62	53	72	59	51	69	57	48	66	55	46	61	51	43	57	47	39	54	44	37	50	41	34	48	39	32	45	37	30	43	35	29	41	33	27				
		7.5 to 15	Array Interior	87	77	68	85	74	65	82	71	62	80	68	59	78	65	57	75	63	55	70	58	51	66	54	47	62	51	44	58	48	42	55	45	39	52	43	37	49	40	35	47	38	33			
		Array Edge	77	65	56	74	62	54	71	59	51	68	56	49	65	54	47	63	52	45																												

Maximum Rail Spans (Inches)			Everest Solar 48-XL Flush-Mount Dual Rail, Open Mono Slope Roof 0-30ft, 72 Cell(P) Rail Only																																																					
Ground Snow Load	Exposure Category	Panel Angle	Wind Speed ->																																																					
			95 mph			100 mph			105 mph			110 mph			115 mph			120 mph			130mph			140 mph			150 mph			160 mph			170 mph			180 mph			190 mph			200 mph														
			Roof Zone ->																																																					
			1	2	3	1	2	3	1	2	3	1	2	3	1	2	3	1	2	3	1	2	3	1	2	3	1	2	3	1	2	3	1	2	3	1	2	3	1	2	3	1	2	3	1	2	3	1	2	3	1	2	3	1	2	3
15 psf	B	0 to 7.5	Array Interior	81	78	73	81	76	71	80	75	69	79	73	67	78	71	66	77	70	64	74	67	61	72	64	58	69	61	54	66	58	50	64	56	47	62	53	45	60	50	42	58	48	40	56	48	33								
		Array Edge	78	71	65	76	69	63	75	67	61	73	65	59	71	63	58	70	62	55	67	59	51	64	55	47	61	52	44	58	49	41	56	46	38	53	44	36	50	41	34	48	39	30												
		7.5 to 15	Array Interior	82	77	72	80	75	70	79	73	68	78	72	66	77	70	64	76	68	62	73	65	59	70	62	56	67	59	52	65	56	49	62	53	46	60	50	44	58	48	41	55	45	39	52	45	32								
		Array Edge	77	69	64	75	67	61	73	65	59	72	63	58	70	62	55	68	60	53	65	56	49	62	52	46	59	49	43	56	46	40	53	44	38	50	41	36	48	39	34	45	37	32												
	15 to 30	Array Interior	84	77	67	82	73	64	80	70	61	79	67	59	77	65	56	75	62	54	70	58	50	65	54	47	61	50	44	57	47	41	54	44	39	51	42	36	49	40	35	46	38	33	43	35	27									
	Array Edge	77	64	56	73	61	53	70	58	51	67	56	48	65	53	46	62	51	44	58	47	41	54	44	38	50	41	36	47	39	34	44	36	32	42	34	30	40	33	28	38	31	23													
	30 to 45	Array Interior	88	78	68	85	74	65	82	71	62	80	68	59	78	65	57	76	62	54	70	58	50	65	54	47	61	50	44	58	47	41	54	45	39	51	42	37	49	40	35	46	38	33	43	35	28									
	Array Edge	78	64	56	74	61	53	71	58	51	68	56	49	65	54	47	62	51	45	58	48	41	54	44	38	50	41	36	47	39	34	45	36	32	42	34	30	40	33	28	38	31	27													
	C	0 to 7.5	Array Interior	78	72	67	77	70	65	76	68	63	74	67	61	73	65	59	71	63	57	68	60	53	65	57	49	62	54	45	60	50	42	57	48	40	55	45	38	52	43	36	50	41	34	47	38	33								
		Array Edge	72	64	59	70	62	56	68	60	53	67	59	51	65	57	48	63	55	46	60	51	43	57	47	39	54	44	37	50	41	34	48	39	32	45	37	30	43	35	29	41	33	27												
		7.5 to 15	Array Interior	78	71	65	76	69	63	75	67	61	73	65	59	71	63	57	69	61	55	66	58	51	63	54	47	60	51	44	58	48	42	55	45	39	52	43	37	49	40	35	47	38	33	44	35	29								
		Array Edge	71	63	56	69	60	54	67	58	51	65	56	49	63	54	47	61	52	45	58	48	42	54	45	39	51	42	36	48	39	34	45	37	32	43	35	30	40	33	29	38	31	27												
15 to 30	Array Interior	78	66	58	76	63	55	73	60	52	69	57	50	67	55	48	64	53	46	59	49	43	55	46	40	52	43	37	49	40	35	46	38	33	43	36	31	41	34	29	39	32	28	37	30	23										
Array Edge	66	54	47	63	52	45	60	49	43	57	47	41	55	45	39	53	43	38	49	40	35	46	37	32	43	35	30	40	33	28	38	31	27	36	29	25	34	28	24	32	26	23														
30 to 45	Array Interior	79	66	58	77	63	55	73	60	53	70	58	50	67	55	48	65	53	46	60	49	43	56	46	40	52	43	37	49	40	35	46	38	33	44	36	31	41	34	29	39	32	28	37	30	23										
Array Edge	66	55	48	63	52	45	60	50	43	58	47	41	55	45	39	53	44	38	49	40	35	46	37	32	43	35	30	40	33	28	38	31	27	36	29	25	34	28	24	32	26	23														
D	0 to 7.5	Array Interior	76	69	63	75	67	61	73	65	59	71	63	57	69	61	55	68	60	52	65	57	48	62	53	45	59	50	42	56	47	39	53	44	37	51	42	34	48	39	33	46	37	31	44	35	29									
	Array Edge	69	61	54	67	59	51	65	57	49	63	55	46	61	53	44	60	51	42	57	47	39	53	44	36	50	41	34	47	38	32	44	36	30	42	34	28	40	32	26	37	31	25													
	7.5 to 15	Array Interior	75	67	61	73	65	59	71	63	57	70	61	55	68	60	53	66	58	51	63	54	47	60	50	44	57	47	41	53	44	38	50	41	36	48	39	34	45	37	32	43	35	31												
	Array Edge	67	59	52	65	57	50	63	54	47	61	52	45	60	50	43	58	48	42	54	44	38	50	41	36	47	38	33	44	36	31	41	34	29	39	32	28	37	30	26	35	29	25													
15 to 30	Array Interior	74	61	53	70	58	51	67	55	48	64	53	46	62	51	44	59	49	42	55	45	39	51	42	36	48	39	34	45	37	32	42	35	30	40	33	28	38	31	27	36	29	25													
Array Edge	61	50	44	58	48	42	55	46	40	53	44	38	51	42	36	49	40	35	45	37	32	42	34	30	39	32	28	37	30	26	35	28	24	33	27	23	31	25	22	29	24	21														
30 to 45	Array Interior	74	61	53	71	58	51	68	56	48	65	53	46	62	51	44	60	49	43	55	45	39	51	42	36	48	39	34	45	37	32	42	35	30	40	33	28	38	31	27	36	30	26													
Array Edge	61	50	44	58	48	42	55	46	40	53	44	38	51	42	36	49	40	35	45	37	32	42	34	30	39	32	28	37	30	26	35	28	24	33	27	23	31	25	22	30	24	21														
20 psf	B	0 to 7.5	Array Interior	77	73	69	77	71	67	75	70	65	74	69	64	73	67	62	72	66	61	70	63	58	67	61	56	65	58	53	63	56	50	61	54	47	59	52	45	57	50	42	55	48	40	53	46	39								
		Array Edge	73	67	62	71	65	60	70	64	59	69	62	57	67	60	55	66	59	54	63	56	51	61	54	47	58	51	44	56	49	41	54	46	38	52	44	36	50	41	34	48	39	33												
		7.5 to 15	Array Interior	77	72	68	76	71	66	75	69	64	74	68	63	72	66	61	71	65	60	69	62	57	66	59	54	64	57	51	62	54	49	60	52	46	57	50	44	56	48	41	54	45	39											
		Array Edge	72	66	61	71	64	59	69	62	57	68	61	55	66	59	54	65	57	52	62	55	49	59	52	46	57	49	43	54	46	40	52	44	38	50	41	36	48	39	34	45	37	32												
	15 to 30	Array Interior	79	71	65	77	69	63	76	67	61	74	65	59	72	63	56	70	61	54	67	58	50	64	54	47	61	50	44	57	47	41	54	44	39	51	42	36	49	40	35	46	38	33												
	Array Edge	71	63	56	69	61	53	67	58	51	65	56	48	63	53	46	61	51	44	58	47	41	54	44	38	50	41	36	47	39	34	44	36	32	42	34	30	40	33	28	38	31	27													
	30 to 45	Array Interior	87	78	68	85	74	65	82	71	62	80	68	59	78	65	57	76	62	54	70	58	50	65	54	47	61	50	44	58	47	41	54	45	39	51	42	37	49	40	35	46	38	33												
	Array Edge	78	64	56	74	61	53	71	58	51	68	56	49	65	54	47	62	51	45	58	48	41	54	44	38	50	41	36	47	39	34	45	36	32	42	34	30	40	33	28	38	31	27													
	C	0 to 7.5	Array Interior	74	68	63	72	66	62	71	65	60	70	63	58	68	62	57	67	60	55	64	57	52	62	55	49	59	52	45	57	50	42	55	48	40	53	45	38	51	43	36	49	41	34											
		Array Edge	68	61	56	66	59	54	65	58	53	63	56	51	62	55	49	60	53	46	57	50	43	55	47	39	52	44	37	50	41	34	48	39	32	45	37	30	43	35	29	41	33	27												
		7.5 to 15	Array Interior	73	67	62	72	65	60	70	63	58	69	62	57	67	60	55	66	59	5																																			

Maximum Rail Spans (Inches)			Everest Solar 48-XL Flush-Mount Dual Rail, Open Mono Slope Roof 0-30ft, 72 Cell(P) Rail Only																																																			
Ground Snow Load	Exposure Category	Panel Angle	Wind Speed ->	95 mph		100 mph		105 mph		110 mph		115 mph		120 mph		130mph		140 mph		150 mph		160 mph		170 mph		180 mph		190 mph		200 mph																								
			Roof Zone ->	1	2	3	1	2	3	1	2	3	1	2	3	1	2	3	1	2	3	1	2	3	1	2	3	1	2	3	1	2	3	1	2	3																		
30 psf	B	0 to 7.5	Array Interior	76	72	68	76	71	66	75	69	65	73	68	63	72	67	62	71	65	61	69	63	58	67	60	55	65	58	53	63	56	50	61	54	47	59	52	45	57	50	42	55	48	40	53	46	33						
		Array Edge	72	66	62	71	65	60	69	63	58	68	62	57	67	60	55	65	59	54	63	56	51	60	53	47	58	51	44	56	49	41	54	46	38	52	44	36	50	41	34	48	39	30										
		7.5 to 15	Array Interior	77	71	67	76	70	65	74	68	64	73	67	62	72	66	61	71	64	59	68	61	56	66	59	54	63	56	51	61	54	49	59	52	46	57	50	42	55	48	40	53	45	37	51	43	32						
		Array Edge	71	65	60	70	63	58	68	62	57	67	60	55	66	59	53	64	57	52	61	54	49	59	52	46	56	49	43	54	46	40	52	44	38	50	41	36	48	39	34	45	37	32										
	15 to 30	Array Interior	76	69	63	75	67	61	73	65	60	71	63	58	69	62	56	68	60	54	65	57	50	62	54	47	59	50	44	57	47	41	54	44	39	51	42	36	49	40	35	46	38	33	44	33	27							
	Array Edge	69	61	56	67	59	53	65	57	51	63	55	48	62	53	46	60	51	44	57	47	41	54	44	38	50	41	36	47	39	34	44	36	32	42	34	30	40	33	28	38	31	27											
	30 to 45	Array Interior	86	78	68	84	74	65	82	71	62	80	68	59	78	65	57	76	62	54	70	58	50	66	54	47	61	50	44	58	47	41	54	45	39	51	42	37	49	40	35	46	38	33	44	33	28							
	Array Edge	78	64	56	74	61	53	71	58	51	68	56	49	65	54	47	62	51	45	58	48	41	54	44	38	50	41	36	47	39	34	45	36	32	42	34	30	40	33	28	38	31	27											
	C	0 to 7.5	Array Interior	73	67	63	72	66	61	70	64	59	69	63	58	68	61	56	66	60	55	64	57	52	61	54	49	59	52	45	57	50	42	55	48	40	53	45	38	51	43	36	49	41	34	47	33	27						
		Array Edge	67	61	56	66	59	54	64	57	52	63	56	51	61	54	48	60	53	46	57	50	43	54	47	39	52	44	37	50	41	34	48	39	32	45	37	30	43	35	29	41	33	27										
		7.5 to 15	Array Interior	72	66	61	71	65	60	69	63	58	68	61	56	67	60	55	65	58	53	63	55	50	60	53	47	58	50	44	55	48	42	53	45	39	51	43	37	49	40	35	47	38	33	45	37	32						
		Array Edge	66	59	54	65	58	52	63	56	51	61	54	49	60	53	47	58	51	45	55	48	42	53	45	39	50	42	36	48	39	34	45	37	32	43	35	30	40	33	29	38	31	27										
15 to 30	Array Interior	70	63	57	68	61	55	67	59	52	65	57	50	63	55	48	61	53	46	58	49	43	55	46	40	52	43	37	49	40	35	46	38	33	43	36	31	41	34	29	39	32	28	37	30	23								
Array Edge	63	54	47	61	52	45	59	49	43	57	47	41	55	45	39	53	43	38	49	40	35	46	37	32	42	33	28	40	33	28	38	31	27	36	29	25	34	28	24	32	26	23												
30 to 45	Array Interior	79	66	58	77	63	55	73	60	53	70	58	50	67	55	48	65	53	46	60	49	43	56	46	40	52	43	37	49	40	35	46	38	33	44	36	31	41	34	29	39	32	28	37	30	23								
Array Edge	69	55	48	63	52	45	60	50	43	58	47	41	55	45	39	53	44	38	49	40	35	46	37	32	42	34	30	39	32	28	37	30	26	35	28	24	33	27	23	31	24	21												
D	0 to 7.5	Array Interior	71	65	60	70	64	59	68	62	57	67	60	55	66	59	54	64	57	52	62	54	48	59	52	45	57	49	42	54	47	39	52	44	37	50	42	34	48	39	33	46	37	31	44	31	25							
	Array Edge	65	58	53	64	57	51	62	55	49	60	53	46	59	52	44	57	50	43	54	47	39	52	44	36	49	41	34	47	38	32	44	36	30	42	34	28	40	32	26	37	31	25											
	7.5 to 15	Array Interior	71	64	59	69	62	57	67	60	55	66	59	54	64	57	52	63	56	50	60	53	47	57	50	44	55	47	41	53	44	38	50	41	36	48	39	34	45	37	32	43	35	31	41	34	29							
	Array Edge	64	57	52	62	55	50	60	53	47	59	51	45	57	50	43	56	48	42	53	44	38	50	41	36	47	38	33	44	36	31	41	34	29	39	32	28	37	30	26	35	29	25											
15 to 30	Array Interior	69	60	53	66	58	51	64	55	48	62	53	46	61	51	44	59	49	42	55	45	39	51	42	36	48	39	34	45	37	32	42	35	30	40	33	28	38	31	27	36	29	25											
Array Edge	60	50	44	58	48	42	55	46	40	53	44	38	51	42	36	49	40	35	45	37	32	42	34	30	39	32	28	37	30	26	35	28	24	33	27	23	31	25	22	29	24	21												
30 to 45	Array Interior	74	61	53	71	58	51	68	56	48	65	53	46	62	51	44	60	49	43	55	45	39	51	42	36	48	39	34	45	37	32	42	35	30	40	33	28	38	31	27	36	30	26											
Array Edge	61	50	44	58	48	42	56	46	40	53	44	38	51	42	36	49	40	35	45	37	32	42	34	30	39	32	28	37	30	26	35	28	25	33	27	23	31	25	22	30	24	21												
35 psf	B	0 to 7.5	Array Interior	73	69	65	72	68	64	71	67	63	70	65	61	69	64	60	68	63	59	66	61	56	64	58	54	62	56	52	61	54	50	58	52	47	56	50	44	54	48	41	52	46	38	50	44	36	49	41	34	47	39	33
		Array Edge	69	64	60	68	62	58	67	61	57	65	60	55	64	58	54	63	57	52	61	54	50	58	52	47	56	50	44	54	48	41	52	46	38	50	44	36	49	41	34	47	39	33	45	37	32							
		7.5 to 15	Array Interior	73	69	65	72	67	63	71	66	62	70	65	60	69	63	59	68	62	58	66	60	55	64	57	52	62	56	51	60	53	47	58	51	46	55	48	43	53	46	40	51	44	38	49	41	36	47	39	34	45	37	32
		Array Edge	69	63	59	67	61	57	66	60	55	65	58	54	63	57	52	62	56	51	60	53	48	57	51	46	55	48	43	53	46	40	51	44	38	49	41	36	47	39	34	45	37	32										
	15 to 30	Array Interior	74	67	62	72	65	60	70	63	58	69	62	56	67	60	55	66	59	53	63	56	50	60	53	47	58	50	44	55	47	41	53	44	38	50	41	36	47	39	34	44	36	32	42	34	30	40	33	28				
	Array Edge	67	60	54	65	58	53	63	56	51	61	54	48	60	53	46	57	51	44	56	49	43	53	46	40	50	43	37	48	40	34	45	37	32	43	35	30	41	34	29	39	32	28	37	30	23								
	30 to 45	Array Interior	84	77	68	83	74	65	81	71	62	79	68	59	78	65	57	76	62	54	70	58	50	65	54	47	61	50	44	58	47	41	54	45	39	51	42	37	49	40	35	46	38	33	44	34	29	42	34	29				
	Array Edge	77	64	56	74	61	53	71	58	51	68	56	49	65	54	47	62	51	45	58	48	41	54	44	38	50	41	36	47	39	34	45	36	32	42	34	30	40	33	28	38	31	27											
	C	0 to 7.5	Array Interior	70	65	61	69	63	59	67	62	58	66	61	56	65	59	55	64	58	53	62	55	51	59	53	48	57	51	45	55	49	42	53	47	40	52	45	38	50	43	36	48	41	34	47	33	27						
		Array Edge	65	59	54	63	57	53	62	56	51	61	54	50	59	53	48	58	52	46	55	49	43	53	46	39	51	44	37	49	41	34	47	39	32	45	37	30	43	35	29	41	33	27										
		7.5 to 15	Array Interior	69	64</																																																	



Maximum Rail Spans (Inches)			Everest Solar 48-XL Flush-Mount Dual Rail, Open Mono Slope Roof 0-30ft, 72 Cell(P) Rail Only																																													
Ground Snow Load	Exposure Category	Panel Angle	Wind Speed ->			95 mph			100 mph			105 mph			110 mph			115 mph			120 mph			130mph			140 mph			150 mph			160 mph			170 mph			180 mph			190 mph			200 mph			
			Roof Zone ->			1	2	3	1	2	3	1	2	3	1	2	3	1	2	3	1	2	3	1	2	3	1	2	3	1	2	3	1	2	3	1	2	3	1	2	3	1	2	3	1	2	3	
45 psf	B	0 to 7.5	Array Interior	66	64	61	66	63	60	66	62	59	65	61	58	64	60	57	63	59	56	62	57	53	60	55	51	59	53	49	57	52	48	55	50	46	54	48	44	52	47	42	51	45	40	44	39	33
			Array Edge	64	60	56	63	59	55	62	57	54	61	56	52	60	55	51	59	54	50	57	52	48	55	50	46	53	48	44	52	46	41	50	44	38	48	42	36	47	41	34	45	39	30			
		7.5 to 15	Array Interior	68	64	61	67	63	59	66	62	58	65	61	57	64	60	56	63	58	55	61	56	52	60	54	50	58	52	48	56	51	46	55	49	44	53	47	43	51	45	41	50	44	39	44	37	32
			Array Edge	64	59	55	63	58	54	62	57	53	61	55	51	60	54	50	58	53	49	56	51	46	54	48	44	52	46	42	51	44	40	49	43	38	47	41	36	45	39	34	44	37	32			
		15 to 30	Array Interior	69	63	59	67	62	57	66	60	56	65	59	54	64	57	53	62	56	51	60	53	49	58	51	46	55	49	44	53	47	41	51	44	39	49	42	36	48	40	35	46	38	33	27		
			Array Edge	63	57	52	62	55	51	60	54	49	59	52	48	57	51	46	56	49	44	53	47	41	51	44	38	49	41	36	45	39	34	44	36	32	42	34	30	40	33	28	38	31	27			
	30 to 45	Array Interior	82	75	68	81	73	65	79	70	62	78	68	59	76	65	57	74	62	54	70	58	50	65	54	47	61	50	44	58	47	41	54	45	39	51	42	37	49	40	35	46	38	33	28			
		Array Edge	75	64	56	73	61	53	70	58	51	68	56	49	65	54	47	62	51	45	58	48	41	54	44	38	50	41	36	47	39	34	45	36	32	42	34	30	40	33	28	38	31	27				
	C	0 to 7.5	Array Interior	65	61	57	64	59	56	63	58	55	62	57	53	61	56	52	60	55	51	58	53	49	56	51	47	54	49	45	53	47	42	51	45	40	49	43	38	48	42	36	46	40	34	40	37	
			Array Edge	61	56	52	59	54	50	58	53	49	57	52	48	56	51	46	55	49	45	53	47	43	51	45	39	49	43	37	47	41	34	45	39	32	43	37	30	42	35	29	40	33	27			
		7.5 to 15	Array Interior	65	60	56	63	59	55	62	58	54	61	56	52	60	55	51	59	54	50	57	52	47	55	50	45	53	47	43	52	46	41	50	44	39	48	42	37	46	40	35	45	38	33	28		
			Array Edge	60	55	51	59	53	49	58	52	48	56	51	46	55	49	45	54	48	44	52	46	41	50	43	39	47	41	36	46	39	34	44	37	32	42	35	30	40	33	29	38	31	27			
15 to 30		Array Interior	64	58	54	63	57	52	61	55	50	60	53	49	59	52	47	57	51	46	55	48	43	52	45	40	50	43	37	48	40	35	46	38	33	43	36	31	41	34	29	39	32	28				
		Array Edge	58	52	47	57	50	45	55	48	43	53	47	41	52	45	39	51	43	38	48	40	35	45	37	32	42	35	30	40	33	28	38	31	27	36	29	25	34	28	24	32	26	23				
30 to 45	Array Interior	77	66	58	74	63	55	72	60	53	70	58	50	67	55	48	65	53	46	60	49	43	56	46	40	52	43	37	49	40	35	46	38	33	44	36	31	41	34	29	39	32	28					
	Array Edge	66	55	48	63	52	45	60	50	43	58	47	41	57	45	39	53	44	38	49	40	35	46	37	32	43	35	30	40	33	28	38	31	27	36	29	25	34	28	24	32	26	23					
D	0 to 7.5	Array Interior	65	60	57	64	59	55	63	58	54	62	56	52	61	55	51	60	54	50	57	52	47	55	49	45	53	47	42	51	45	39	50	43	37	48	42	34	46	39	33	45	37	31	41	35	29	
		Array Edge	60	55	51	59	53	49	58	52	47	56	50	46	55	49	44	54	48	42	52	45	39	49	43	36	47	41	34	45	38	32	43	36	30	42	34	28	36	30	26	37	31	25				
	7.5 to 15	Array Interior	65	60	55	64	58	54	62	57	52	61	55	51	60	54	50	59	53	48	56	50	46	54	48	43	52	46	41	50	44	38	48	42	36	46	39	34	45	37	32	43	35	31	41	35	29	
		Array Edge	60	54	49	58	52	48	57	51	46	55	49	45	54	48	43	53	46	42	50	44	38	48	41	36	46	38	33	44	36	31	41	34	29	39	32	28	37	30	26	35	29	25				
	15 to 30	Array Interior	63	57	52	62	55	50	60	53	48	59	52	46	57	50	44	56	48	42	53	45	39	50	42	36	48	40	35	45	37	32	42	34	30	39	32	28	37	30	26	35	28	24	33	27	25	
		Array Edge	57	50	44	55	48	42	53	46	40	52	44	38	50	42	36	48	40	35	45	37	32	42	34	30	39	32	28	37	30	26	35	28	24	33	27	23	31	25	22	29	24	21				
30 to 45	Array Interior	74	61	53	71	58	51	68	56	48	65	53	46	62	51	44	60	49	43	55	45	39	51	42	36	48	39	34	45	37	32	42	35	30	40	33	28	38	31	27	36	30	26					
	Array Edge	61	50	44	58	48	42	56	46	40	53	44	38	51	42	36	49	40	35	45	37	32	42	34	30	39	32	28	37	30	26	35	28	25	33	27	23	31	25	22	30	24	21					
50 psf	B	0 to 7.5	Array Interior	63	62	59	63	61	58	63	60	57	63	59	56	62	58	55	61	57	54	60	56	52	58	54	50	57	52	48	55	50	47	54	49	45	53	47	43	51	46	42	50	44	40	44	39	40
			Array Edge	62	58	55	61	57	54	60	56	52	59	55	51	58	54	50	57	53	49	56	51	47	54	49	45	52	47	43	50	45	41	49	43	38	47	42	36	46	40	34	44	39	33	40		
		7.5 to 15	Array Interior	65	62	59	64	61	58	64	60	57	63	59	56	62	58	54	61	57	53	60	55	51	58	53	49	56	51	47	55	49	45	53	48	44	52	46	42	46	40	36	45	39	34	43	37	32
			Array Edge	62	58	54	61	56	53	60	55	52	59	54	50	58	53	49	57	52	48	55	50	46	53	48	43	51	46	42	49	44	40	48	42	38	46	40	36	45	39	34	43	37	32			
		15 to 30	Array Interior	67	62	58	66	60	56	64	59	55	63	58	53	62	56	52	61	55	50	59	52	48	56	50	46	54	48	43	52	46	41	50	44	39	49	42	36	47	40	35	45	38	33	41	37	
			Array Edge	62	56	51	60	54	50	59	53	48	58	51	47	56	50	45	55	49	44	52	46	41	50	44	38	48	41	36	46	39	34	44	36	32	42	34	30	40	33	28	38	31	27			
	30 to 45	Array Interior	81	74	67	80	72	65	78	69	62	77	67	59	75	65	57	73	62	54	69	58	50	65	54	47	61	50	44	58	47	41	54	45	39	51	42	37	49	40	35	46	38	33	41			
		Array Edge	74	64	56	72	61	53	69	58	51	67	56	49	65	54	47	62	51	45	58	48	41	54	44	38	50	41	36	47	39	34	45	36	32	42	34	30	40	33	28	38	31	27				
	C	0 to 7.5	Array Interior	62	59	56	61	58	54	61	57	53	60	56	52	59	54	51	58	53	50	56	51	48	55	50	46	53	48	44	51	46	42	50	44	40	48	43	38	47	41	36	45	40	34	40		
			Array Edge	59	54	51	58	53	49	57	52	48	56	51	47	54	49	46	53	48	44	51	46	42	50	44	39	48	42	37	46	40	34	44	39	32	43	37	30	43	37	30	41	35	29	40		
		7.5 to 15	Array Interior	62	58	55	61	57	54	61	56	52	60	55	51	59	54	50	58	53	49	56	51	47	54	49	44	52	47	42	50	45	41	49	43	39	47	41	37	46	40	35	44	38	33	41		
			Array Edge	58	54	50	57	52	48	56	51	47	55	50	46	54	48	44	53	47	43	51	45	41	49	43	39	47	41	36	45	39	34	43	37	32	41	35	30	40	33	29	38	31	27			
15 to 30		Array Interior	63	57																																												

Maximum Rail Spans (Inches)			Everest Solar 48-XL Flush-Mount Dual Rail, Open Mono Slope Roof 0-30ft, 72 Cell(P) Rail Only																																											
Ground Snow Load	Exposure Category	Panel Angle	Wind Speed ->	95 mph		100 mph		105 mph		110 mph		115 mph		120 mph		130mph		140 mph		150 mph		160 mph		170 mph		180 mph		190 mph		200 mph																
			Roof Zone ->	1	2	3	1	2	3	1	2	3	1	2	3	1	2	3	1	2	3	1	2	3	1	2	3	1	2	3	1	2	3	1	2	3										
70 psf	B	0 to 7.5	Array Interior	54	54	53	54	54	52	54	54	52	54	53	51	54	52	50	54	52	49	53	50	48	52	49	46	51	48	45	50	47	43	49	45	42	48	44	41	47	43	40	46	42	38	
		Array Edge	54	52	50	54	51	49	54	51	48	53	50	47	52	49	46	50	47	44	49	45	42	48	44	40	47	42	39	45	41	37	44	39	36	43	38	34	42	37	33					
		7.5 to 15	Array Interior	55	55	53	55	55	52	55	54	51	55	53	51	55	52	50	55	52	49	54	50	47	52	49	46	51	47	44	50	46	43	49	45	41	48	43	40	47	42	38	45	41	37	
		Array Edge	55	52	50	55	51	49	54	50	48	53	49	47	52	49	46	52	48	45	50	46	43	49	44	41	47	43	39	46	41	38	45	40	36	43	38	35	42	37	34	41	36	32		
	15 to 30	Array Interior	60	56	53	59	55	52	58	54	51	57	53	50	57	52	48	56	51	47	54	49	45	52	47	43	51	45	41	49	44	40	47	42	38	46	40	36	44	39	35	43	37	33		
	Array Edge	56	52	48	55	51	47	54	49	46	53	48	44	52	47	43	51	46	42	49	44	40	47	42	38	45	40	36	44	38	34	42	36	32	40	34	30	39	33	28	37	31	27			
	30 to 45	Array Interior	77	70	64	76	68	62	74	66	60	72	64	58	70	62	56	69	61	54	66	57	50	63	54	47	60	50	44	57	47	41	54	45	39	51	42	37	49	40	35	46	38	33		
	Array Edge	70	62	56	68	60	53	66	58	51	64	56	49	62	54	47	61	51	45	57	48	41	54	44	38	50	41	36	47	39	34	45	36	32	42	34	30	40	33	28	38	31	27			
	C	0 to 7.5	Array Interior	54	53	50	54	52	50	54	51	49	53	50	48	53	50	47	52	49	46	51	47	44	50	46	43	48	44	41	47	43	40	46	42	38	45	40	37	44	39	35	42	38	34	
		Array Edge	53	49	47	52	48	46	51	48	45	50	47	44	50	46	43	49	45	42	47	43	40	46	41	38	44	40	36	43	38	34	42	37	32	40	35	30	39	34	29	38	33	27		
		7.5 to 15	Array Interior	55	53	50	55	52	49	54	51	48	54	50	47	53	49	46	52	48	45	51	47	44	49	45	42	48	44	41	47	43	40	46	42	39	45	41	37	44	39	36	43	38	34	
		Array Edge	53	49	46	52	48	45	51	47	44	50	46	43	49	45	42	48	44	41	47	42	39	45	40	37	44	39	35	42	37	34	41	36	32	39	34	30	38	33	29	37	31	27		
15 to 30	Array Interior	57	53	49	56	51	48	55	50	46	54	49	45	53	48	44	52	47	43	50	45	41	48	43	39	46	41	37	44	39	35	43	37	33	41	36	31	40	34	29	38	32	28			
Array Edge	53	48	44	51	46	42	50	45	41	49	44	40	48	42	38	47	41	37	45	39	35	43	37	32	41	35	30	39	33	28	37	31	27	36	29	25	34	28	24	32	26	23				
30 to 45	Array Interior	71	63	57	69	61	55	67	59	53	65	57	50	64	55	48	62	53	46	59	49	43	56	46	40	52	43	37	49	40	35	46	38	33	44	36	31	41	34	29	39	32	28			
Array Edge	63	55	48	61	52	45	59	50	43	57	47	41	55	45	39	53	44	38	49	40	35	46	37	32	43	35	30	40	33	28	38	31	27	36	29	25	34	28	24	32	26	23				
D	0 to 7.5	Array Interior	57	53	51	56	52	50	55	51	48	54	51	47	54	50	46	53	49	45	51	47	44	50	45	42	48	44	40	47	42	38	45	40	37	44	39	34	43	38	33	41	36	31		
	Array Edge	53	49	46	52	48	45	51	47	44	51	46	43	50	45	42	49	44	40	47	42	38	45	40	36	44	38	34	42	37	32	40	35	30	39	34	28	38	32	26	36	31	25			
	7.5 to 15	Array Interior	57	53	50	56	52	49	55	51	48	54	50	47	53	49	46	52	48	45	51	46	43	49	44	41	48	43	39	46	41	37	45	39	36	43	38	34	42	36	32	40	35	31		
	Array Edge	53	49	45	52	48	44	51	46	43	50	45	42	49	44	40	48	43	39	46	41	37	44	39	35	43	37	33	41	36	31	39	34	29	38	32	28	36	30	26	35	29	25			
15 to 30	Array Interior	57	52	48	56	51	47	55	49	45	53	48	44	52	47	43	51	45	41	49	43	39	47	41	36	45	39	34	43	37	32	41	35	30	39	32	28	37	30	26	35	28	24	33	27	23
Array Edge	52	46	42	51	45	41	49	43	39	48	42	38	47	41	36	45	40	35	43	37	32	41	34	30	39	32	28	37	30	26	35	28	24	33	27	23	31	25	22	29	24	21				
30 to 45	Array Interior	69	61	53	67	58	51	65	56	48	63	53	46	61	51	44	59	49	43	55	45	39	51	42	36	48	39	34	45	37	32	42	35	30	40	33	28	38	31	27	36	30	26			
Array Edge	61	50	44	58	48	42	56	46	40	53	44	38	51	42	36	49	40	35	45	37	32	42	34	30	39	32	28	37	30	26	35	28	25	33	27	23	31	25	22	30	24	21				
80 psf	B	0 to 7.5	Array Interior	51	51	51	51	51	50	51	51	49	51	51	49	51	50	48	51	49	47	51	48	46	50	47	45	49	46	43	48	45	42	47	44	41	46	42	39	45	42	38	44	40	37	
		Array Edge	51	50	48	51	49	47	51	48	46	51	48	45	50	47	45	49	46	44	48	45	42	47	44	41	46	42	39	45	41	38	44	40	36	43	38	35	42	37	34	40	36	33		
		7.5 to 15	Array Interior	52	52	51	52	52	50	52	51	49	52	51	49	52	50	48	52	49	47	51	48	46	50	47	44	49	46	43	48	44	41	47	43	40	46	42	39	45	41	38	44	40	36	
		Array Edge	52	50	48	52	49	47	51	48	46	51	48	45	50	47	44	49	46	43	48	44	41	47	43	40	46	42	38	44	40	37	43	39	35	42	37	34	41	36	33	40	35	32		
	15 to 30	Array Interior	57	54	51	57	53	50	56	52	49	55	51	48	54	50	47	53	49	46	52	48	44	50	46	42	49	44	40	47	42	39	46	41	37	45	39	36	43	38	34	42	37	33		
	Array Edge	54	50	47	53	49	46	52	48	44	51	47	43	50	46	42	49	45	41	48	43	39	46	41	37	44	39	35	42	37	34	41	36	32	39	34	30	38	33	28	37	31	27			
	30 to 45	Array Interior	75	68	63	73	66	61	72	64	59	70	63	57	69	61	55	67	59	54	64	56	50	61	53	47	59	50	44	56	47	41	54	45	39	51	42	37	49	40	35	46	38	33		
	Array Edge	68	61	55	66	59	53	64	57	51	63	55	49	61	53	47	59	51	45	56	48	41	53	44	38	50	41	36	47	39	34	45	36	32	42	34	30	40	33	28	38	31	27			
	C	0 to 7.5	Array Interior	51	50	48	51	50	48	51	49	47	51	48	46	50	48	45	50	47	44	49	46	43	48	44	41	47	43	40	46	42	39	44	40	37	43	39	36	42	38	35	41	37	34	
		Array Edge	50	47	45	50	47	44	49	46	43	48	45	42	48	44	41	47	43	40	46	42	39	44	40	37	43	39	35	42	37	34	41	37	34	40	36	32	39	35	30	38	33	29		
		7.5 to 15	Array Interior	52	50	48	52	50	47	52	49	46	51	48	46	51	47	45	50	47	44	49	45	42	48	44	41	46	42	39	45	41	38	44	40	36	43	38	35	42	37	34	40	36	33	
		Array Edge	50	47	45	50	46	43	49	45	42	48	44	41	47	44	41	47	43	40	45	41	38	44	39	36	42	38	34</																	

Maximum Rail Spans (Inches)			Everest Solar 48-XL Flush-Mount Dual Rail, Open Mono Slope Roof 0-30ft, 72 Cell(P) Rail Only																																										
Ground Snow Load	Exposure Category	Panel Angle	Wind Speed -> Roof Zone ->	95 mph			100 mph			105 mph			110 mph			115 mph			120 mph			130mph			140 mph			150 mph			160 mph			170 mph			180 mph			190 mph			200 mph		
				1	2	3	1	2	3	1	2	3	1	2	3	1	2	3	1	2	3	1	2	3	1	2	3	1	2	3	1	2	3	1	2	3	1	2	3	1	2	3			
100 psf	B	0 to 7.5	Array Interior	46	46	46	46	46	46	46	46	46	46	46	45	46	46	45	46	46	44	46	45	43	46	44	42	45	43	41	45	42	40	44	41	39	43	40	38	42	39	37	42	38	36
			Array Edge	46	46	44	46	45	44	46	45	43	46	44	42	46	43	41	45	42	40	44	41	38	43	40	37	42	39	36	41	38	35	40	37	34	39	35	33	38	34	32			
		7.5 to 15	Array Interior	47	47	47	47	47	46	47	47	46	47	47	45	47	46	45	47	46	44	47	45	43	46	44	42	46	43	40	45	42	39	44	41	38	43	40	37	42	39	36	41	38	35
			Array Edge	47	46	44	47	46	44	47	45	43	47	44	42	46	44	41	46	43	41	45	42	39	44	41	38	43	39	37	42	38	35	41	37	34	40	36	33	39	35	32	38	34	31
		15 to 30	Array Interior	52	50	48	52	50	47	52	49	46	51	48	45	50	47	44	50	46	44	49	45	42	47	43	40	46	42	39	45	41	37	44	39	36	42	38	35	41	37	33	40	35	32
			Array Edge	50	47	44	50	46	43	49	45	42	48	44	41	47	43	40	46	42	39	45	41	37	43	39	36	42	37	34	41	36	33	39	35	31	38	33	30	37	32	28	35	31	27
		30 to 45	Array Interior	71	65	60	69	63	58	68	62	57	67	60	55	65	59	54	64	57	52	61	54	49	59	52	47	56	49	44	54	47	41	52	45	39	50	42	37	48	40	35	46	38	33
			Array Edge	65	58	53	63	56	51	62	55	50	60	53	48	59	52	47	57	50	45	54	47	41	52	44	38	49	41	36	47	39	34	45	36	32	42	34	30	40	33	28	38	31	27
	C	0 to 7.5	Array Interior	46	46	45	46	46	44	46	45	44	46	45	43	46	44	42	46	44	42	45	43	40	44	41	39	43	40	38	42	39	37	42	38	36	41	37	34	40	36	33	39	35	32
			Array Edge	46	44	42	46	43	41	45	43	41	45	42	40	44	41	39	44	41	38	43	39	37	41	38	35	40	37	34	39	36	33	38	34	31	37	33	30	36	32	29	35	31	27
		7.5 to 15	Array Interior	47	47	45	47	46	44	47	45	43	47	45	43	47	44	42	46	44	41	45	42	40	44	41	39	43	40	37	42	39	36	41	38	35	40	36	34	39	35	32	38	34	31
			Array Edge	47	44	42	46	43	41	45	43	40	45	42	39	44	41	38	44	40	38	42	39	36	41	37	35	40	36	33	39	35	32	38	34	31	36	32	29	35	31	28	34	30	27
		15 to 30	Array Interior	51	48	45	50	47	44	49	46	43	49	45	42	48	44	41	47	43	40	46	41	38	44	40	37	43	38	35	41	37	33	40	35	32	39	34	31	37	33	29	36	32	28
			Array Edge	48	44	41	47	43	40	46	42	38	45	41	37	44	40	36	43	39	35	41	37	34	40	35	32	38	34	30	37	32	28	35	31	27	34	29	25	33	28	24	32	26	23
		30 to 45	Array Interior	66	59	54	64	58	53	63	56	51	61	54	49	60	53	48	58	51	46	56	49	43	53	46	40	51	43	37	48	40	35	46	38	33	44	36	31	41	34	29	39	32	28
			Array Edge	59	52	47	58	51	45	56	49	43	54	47	41	53	45	39	51	44	38	49	40	35	46	37	32	43	35	30	40	33	28	38	31	27	36	29	25	34	28	24	32	26	23
	D	0 to 7.5	Array Interior	48	47	45	48	47	45	48	46	44	48	45	43	48	45	42	47	44	42	46	43	40	45	41	39	44	40	37	43	39	36	42	38	35	41	36	33	39	35	32	38	34	31
			Array Edge	47	45	42	47	44	41	46	43	40	45	42	39	45	41	39	44	41	38	43	39	36	41	37	34	40	36	33	39	35	32	38	33	30	36	32	28	35	31	26	34	30	25
		7.5 to 15	Array Interior	49	48	45	49	47	44	49	46	44	48	45	43	48	45	42	47	44	41	46	42	39	45	41	38	43	39	36	42	38	35	41	37	34	40	36	32	39	34	31	38	33	30
			Array Edge	48	44	42	47	43	41	46	43	40	45	42	39	45	41	38	44	40	37	42	38	35	41	37	34	39	35	32	38	34	31	37	32	29	36	31	28	34	30	26	33	29	25
		15 to 30	Array Interior	51	48	44	51	46	43	50	45	42	49	44	41	48	43	40	47	42	39	45	41	37	44	39	35	42	37	34	40	35	32	39	34	30	38	33	28	36	31	27	35	29	25
			Array Edge	48	43	40	46	42	38	45	41	37	44	40	36	43	39	35	42	38	34	41	36	32	39	34	30	37	32	28	35	30	26	34	28	24	33	27	23	31	25	22	29	24	21
		30 to 45	Array Interior	65	58	52	63	56	51	61	54	48	60	52	46	58	51	44	57	49	43	54	45	39	51	42	36	48	39	34	45	37	32	42	35	30	40	33	28	38	31	27	36	30	26
			Array Edge	58	50	44	56	48	42	54	46	40	52	44	38	51	42	36	49	40	35	45	37	32	42	34	30	39	32	28	37	30	26	35	28	25	33	27	23	31	25	22	30	24	21

Maximum Rail Spans (Inches)			Everest Solar 48-XL Flush-Mount Dual Rail, Open Mono Slope Roof 30-60ft, 72 Cell(L) Rail Only																																										
Ground Snow Load	Exposure Category	Panel Angle	Wind Speed ->		95 mph		100 mph		105 mph		110 mph		115 mph		120 mph		130mph		140 mph		150 mph		160 mph		170 mph		180 mph		190 mph		200 mph														
			Roof Zone ->		1	2	3	1	2	3	1	2	3	1	2	3	1	2	3	1	2	3	1	2	3	1	2	3	1	2	3	1	2	3	1	2	3								
0 psf	B	0 to 7.5	Array Interior	116	104	93	113	101	90	110	98	87	107	95	84	105	93	81	102	91	79	97	86	75	93	82	71	89	79	68	86	75	63	83	71	60	80	67	56	77	64	53	74	61	50
			Array Edge	104	92	80	101	89	78	98	87	75	95	84	73	93	82	70	91	80	68	86	76	64	82	70	59	79	66	55	75	62	52	71	58	48	67	55	46	64	52	43	61	50	41
		7.5 to 15	Array Interior	113	101	92	110	98	90	107	95	87	104	92	84	101	90	82	99	87	80	94	83	76	90	79	70	86	76	66	83	71	62	80	67	58	77	64	55	73	60	52	70	57	50
			Array Edge	101	89	82	98	86	79	95	84	76	92	81	73	90	79	70	87	77	67	83	71	62	79	67	58	76	62	54	71	58	51	67	55	48	64	52	45	60	49	43	57	47	41
	C	0 to 7.5	Array Interior	107	95	84	104	93	81	101	90	78	99	87	76	96	85	73	94	83	71	89	79	67	85	74	63	82	70	58	79	65	55	75	62	51	71	58	48	67	55	46	64	53	43
			Array Edge	95	84	73	93	82	70	90	79	68	87	77	65	85	74	62	83	71	60	79	66	55	74	61	51	70	57	47	65	54	44	62	51	42	58	48	39	55	45	37	53	43	35
		7.5 to 15	Array Interior	104	92	84	101	89	82	98	87	79	95	84	77	93	82	74	90	80	71	86	75	66	82	70	61	79	66	57	75	62	54	71	58	51	67	55	48	64	52	45	61	50	43
			Array Edge	92	81	73	89	79	70	87	76	66	84	73	63	82	70	61	80	67	58	75	62	54	70	58	50	66	54	47	62	51	44	58	48	41	55	45	39	52	43	37	50	41	35
	D	0 to 7.5	Array Interior	103	92	80	100	89	77	97	86	74	95	84	72	92	81	70	90	79	68	86	75	63	82	69	58	78	65	54	74	61	51	70	58	48	66	54	45	63	52	43	60	49	40
			Array Edge	92	81	69	89	78	67	86	75	64	84	72	61	81	69	58	79	66	55	75	61	51	69	57	47	65	53	44	61	50	41	58	47	39	54	45	37	52	42	35	49	40	33
		7.5 to 15	Array Interior	100	88	81	97	86	78	94	83	75	91	81	72	89	79	69	87	76	66	83	71	61	79	66	57	75	61	53	70	58	50	66	54	47	63	51	45	59	49	42	57	46	40
			Array Edge	88	78	68	86	75	65	83	71	62	81	68	59	79	65	57	76	63	54	71	58	50	66	54	47	61	50	44	58	47	41	54	45	39	51	42	36	48	40	35	46	38	33
5 psf	B	0 to 7.5	Array Interior	114	104	93	112	101	90	109	98	87	107	95	84	105	93	81	102	91	79	97	86	75	93	82	71	89	79	68	86	75	63	83	71	60	80	67	56	77	64	53	74	61	50
			Array Edge	104	92	80	101	89	78	98	87	75	95	84	73	93	82	70	91	80	68	86	76	64	82	70	59	79	66	55	75	62	52	71	58	48	67	55	46	64	52	43	61	50	41
		7.5 to 15	Array Interior	112	101	92	110	98	90	107	95	87	104	92	84	101	90	82	99	87	80	94	83	76	90	79	70	86	76	66	83	71	62	80	67	58	77	64	55	73	60	52	70	57	50
			Array Edge	101	89	82	98	86	79	95	84	76	92	81	73	90	79	70	87	77	67	83	71	62	79	67	58	76	62	54	71	58	51	67	55	48	64	52	45	60	49	43	57	47	41
C	0 to 7.5	Array Interior	102	90	83	99	88	80	96	85	78	94	83	75	91	80	71	89	78	69	84	73	64	81	68	59	77	64	55	73	60	52	69	56	49	65	53	46	62	50	44	59	48	42	
		Array Edge	90	80	71	88	77	67	85	74	64	83	71	61	80	68	59	78	65	56	73	60	52	68	56	48	64	52	45	60	49	42	56	46	40	53	44	38	50	41	36				
	7.5 to 15	Array Interior	103	91	83	100	88	80	97	85	78	94	83	75	92	81	72	89	78	69	85	73	64	81	68	59	77	64	55	73	60	52	69	56	49	65	53	46	62	51	44	59	48	42	
		Array Edge	91	80	71	88	77	68	85	74	64	83	71	62	81	68	59	78	65	56	73	60	52	68	56	49	64	52	45	60	49	42	56	46	40	53	44	38	51	41	36				
D	0 to 7.5	Array Interior	107	95	84	104	93	81	101	90	78	99	87	76	96	85	73	94	83	71	89	79	67	85	74	63	82	70	58	79	65	55	75	62	51	71	58	48	67	55	46	64	53	43	
		Array Edge	95	84	73	93	82	70	90	79	68	87	77	65	85	74	62	83	71	60	79	66	55	74	61	51	70	57	47	65	54	44	62	51	42	58	48	39	55	45	37	53	43	35	
	7.5 to 15	Array Interior	104	92	84	101	89	82	98	87	79	95	84	77	93	82	74	90	80	71	86	75	66	82	70	61	79	66	57	75	62	54	71	58	51	67	55	48	64	52	45	61	50	43	
		Array Edge	92	81	73	89	79	70	87	76	66	84	73	63	82	70	61	80	67	58	75	62	54	70	58	50	66	54	47	62	51	44	58	48	41	55	45	39	52	43	37	50	41	35	
10 psf	B	0 to 7.5	Array Interior	106	99	93	104	97	90	102	95	87	101	93	84	99	92	81	98	90	79	95	86	75	92	82	71	89	79	68	86	75	63	83	71	60	80	67	56	77	64	53	74	61	50
			Array Edge	99	91	80	97	89	78	95	87	75	93	84	73	92	82	70	90	80	68	86	76	64	82	70	59	79	66	55	75	62	52	71	58	48	67	55	46	64	52	43	61	50	41
		7.5 to 15	Array Interior	105	97	92	103	95	90	101	93	87	99	91	84	98	90	82	96	87	80	93	83	76	90	79	70	86	76	66	83	71	62	80	67	58	77	64	55	73	60	52	70	57	50
			Array Edge	97	89	82	95	86	79	93	84	76	91	81	73	90	79	70	87	77	67	83	71	62	79	67	58	76	62	54	71	58	51	67	55	48	64	52	45	62	50	43	57	47	41
C	0 to 7.5	Array Interior	102	90	83	99	88	80	96	85	78	94	83	75	91	80	71	89	78	69	84	73	64	81	68	59	77	64	55	73	60	52	69	56	49	65	53	46	62	50	44	59	48	42	
		Array Edge	90	80	71	88	77	67	85	74	64	83	71	61	80	68	59	78	65	56	73	60	52	68	56	48	64	52	45	60	49	42	56	46	40	53	44	38	50	41	36				
	7.5 to 15	Array Interior	103	91	83	100	88	80	97	85	78	94	83	75	92	81	72	89	78	69	85	73	64	81	68	59	77	64	55	73	60	52	69	56	49	65	53	46	62	51	44	59	48	42	
		Array Edge	91	80	71	88	77	68	85	74	64	83	71	62	81	68	59	78	65	56	73	60	52	68	56	49	64	52	45	60	49	42	56	46	40	53	44	38	51	41	36				
D	0 to 7.5	Array Interior	101	93	84	99	91	81	97	89	78	95	87	76	94	85	73	92	83	71	89	79	67	85	74	63	82	70	58	79	65	55	75	62	51	71	58	48	67	55	46	64	53	43	
		Array Edge	93	84	73	91	82	70	89	79	68	87	77	65	85	74	62	83	71	60	79	66	55	74	61	51	70	57	47	65	54	44	62	51	42	58	48	39	55	45	37				
	7.5 to 15	Array Interior	99	91	84	97	89	82	96	87	79	94	84	77	92	82	74	90	80	71	86	75	66	82	70	61	79	66	57	75	62	54	71	58	51	67	55	48	64	52	45	62	51	43	
		Array Edge	91	81	73	89	79	70	87	76	66	84	73	63	82	70	61	80	67	58</																									

Maximum Rail Spans (Inches)			Everest Solar 48-XL Flush-Mount Dual Rail, Open Mono Slope Roof 30-60ft, 72 Cell(L) Rail Only																																										
Ground Snow Load	Exposure Category	Panel Angle	Wind Speed ->	95 mph			100 mph			105 mph			110 mph			115 mph			120 mph			130mph			140 mph			150 mph			160 mph			170 mph			180 mph			190 mph			200 mph		
			Roof Zone ->	1	2	3	1	2	3	1	2	3	1	2	3	1	2	3	1	2	3	1	2	3	1	2	3	1	2	3	1	2	3	1	2	3	1	2	3	1	2	3			
15 psf	B	0 to 7.5	Array Interior	100	94	90	98	92	88	97	91	86	96	89	84	94	88	81	93	87	79	91	84	75	88	81	71	86	79	68	84	75	63	81	71	60	79	67	56	77	64	53	74	61	50
			Array Edge	94	88	80	92	86	78	91	84	75	89	82	73	88	81	70	87	79	68	84	76	64	81	70	59	79	66	55	75	62	52	71	58	48	67	55	46	64	52	43	61	50	41
		7.5 to 15	Array Interior	99	93	88	98	91	86	96	90	85	95	88	83	93	87	81	92	85	80	89	82	76	87	79	70	84	76	66	82	71	62	80	67	58	77	64	55	73	60	52	70	57	50
			Array Edge	93	86	81	91	84	79	90	82	76	88	81	73	87	79	70	85	77	67	82	71	62	79	67	58	76	62	54	71	58	51	67	55	48	64	52	45	63	49	43	57	47	41
		15 to 30	Array Interior	100	90	83	98	88	80	96	85	78	94	83	75	91	80	71	89	78	69	84	73	64	81	68	59	77	64	55	73	60	52	69	56	49	65	53	46	62	50	44	59	48	42
			Array Edge	90	80	71	88	77	67	85	74	64	83	71	61	80	68	59	78	65	56	73	60	52	68	56	48	64	52	45	60	49	42	56	46	40	53	44	38	50	41	36	48	39	34
	30 to 45	Array Interior	103	91	83	100	88	80	97	85	78	94	83	75	92	81	72	89	78	69	85	73	64	81	68	59	77	64	55	73	60	52	69	56	49	65	53	46	62	51	44	59	48	42	
		Array Edge	91	80	71	88	77	68	85	74	64	83	71	62	81	68	59	78	65	56	73	60	52	68	56	49	64	52	45	60	49	42	56	46	40	53	44	38	51	41	36	48	39	34	
	C	0 to 7.5	Array Interior	96	89	84	94	88	81	93	86	78	91	84	76	90	83	73	88	81	71	86	78	67	83	74	63	81	70	58	78	65	55	75	62	51	71	58	48	67	55	46	64	53	43
			Array Edge	89	82	73	88	81	70	86	79	68	84	77	65	83	74	62	81	71	60	78	66	55	74	61	51	70	57	47	65	54	44	62	51	42	58	48	39	55	45	37	53	43	35
		7.5 to 15	Array Interior	95	88	83	93	86	81	92	85	79	90	83	77	88	81	74	87	80	71	84	75	66	81	70	61	79	66	57	75	62	54	71	58	51	67	55	48	64	52	45	61	50	43
			Array Edge	88	81	73	86	79	70	85	76	66	83	73	63	81	70	61	80	67	58	75	62	54	70	58	50	66	54	47	62	51	44	58	48	41	55	45	39	52	43	37	50	41	35
15 to 30		Array Interior	94	83	75	91	80	71	88	78	68	86	74	65	83	71	62	81	68	60	77	63	55	72	59	51	67	55	48	63	52	45	59	49	42	56	46	40	53	44	38	51	41	36	
		Array Edge	83	70	61	80	67	58	78	64	56	74	61	53	71	59	51	68	56	49	63	52	45	59	48	42	55	45	39	52	42	37	49	40	34	46	38	33	44	36	31	41	34	29	
30 to 45	Array Interior	94	83	75	91	80	71	88	78	68	86	75	65	84	72	62	81	69	60	77	64	55	72	59	51	67	55	48	63	52	45	60	49	42	56	46	40	53	44	38	51	41	36		
	Array Edge	83	71	62	80	67	59	78	64	56	75	61	53	72	59	51	69	56	49	64	52	45	59	48	42	55	45	39	52	42	37	49	40	35	46	38	33	44	36	31	41	34	29		
D	0 to 7.5	Array Interior	94	87	80	92	85	77	91	84	74	89	82	72	88	80	70	86	79	68	83	75	63	81	69	58	78	65	54	74	61	51	70	58	48	66	54	45	62	52	43	60	49	40	
		Array Edge	87	80	69	85	78	67	84	75	64	82	72	61	80	69	58	79	66	55	73	61	51	69	57	47	65	53	44	61	50	41	58	47	39	54	45	37	52	42	35	49	40	33	
	7.5 to 15	Array Interior	93	86	80	91	84	78	89	82	75	88	80	72	86	79	69	85	76	66	82	71	61	79	66	57	75	61	53	70	58	50	66	54	47	63	51	45	59	49	42	57	46	40	
		Array Edge	86	78	68	84	75	65	82	71	62	80	68	59	79	65	57	76	63	54	71	58	50	66	54	47	61	50	44	58	47	41	54	45	39	51	42	36	49	40	35	46	38	33	
	15 to 30	Array Interior	90	79	70	87	76	66	84	73	63	82	70	61	80	67	58	78	64	56	72	59	51	67	55	48	63	51	45	59	48	42	56	45	39	52	43	37	50	41	35	47	39	33	
		Array Edge	79	66	57	76	63	55	73	60	52	70	57	50	67	55	47	64	52	46	59	48	42	55	45	39	52	42	36	48	39	34	45	37	32	43	35	30	41	33	29	39	32	27	
30 to 45	Array Interior	90	79	70	87	77	67	85	73	62	82	70	61	80	67	58	78	64	56	72	59	52	67	55	48	63	52	45	59	48	42	56	46	40	53	44	38	51	41	35	47	39	34		
	Array Edge	79	66	57	77	63	55	73	60	52	70	57	50	67	55	47	64	52	46	59	48	42	55	45	39	52	42	36	48	40	35	46	37	32	43	35	30	41	33	29	39	32	27		
20 psf	B	0 to 7.5	Array Interior	95	90	86	94	89	85	93	87	83	91	86	82	90	85	81	89	84	79	87	81	75	85	79	71	83	76	68	81	73	63	79	70	60	77	67	56	75	64	53	72	61	50
			Array Edge	90	85	80	89	83	78	87	82	75	86	80	73	85	79	70	84	77	68	81	73	64	79	70	59	76	66	55	73	62	52	70	58	48	67	55	46	64	52	43	61	50	41
		7.5 to 15	Array Interior	94	89	85	93	88	84	92	86	82	91	85	81	90	84	79	88	82	78	86	80	74	84	77	70	82	74	66	80	71	62	78	67	58	75	64	55	72	60	52	70	57	50
			Array Edge	89	83	79	88	82	77	86	80	75	85	79	72	84	77	70	82	75	67	80	71	62	77	67	58	74	62	54	71	58	51	67	55	48	64	52	45	62	49	43	57	47	41
		15 to 30	Array Interior	95	88	82	93	86	80	91	84	78	90	82	75	88	80	71	87	78	69	84	73	64	81	68	59	77	64	55	73	60	52	69	56	49	65	53	46	62	50	44	59	48	42
			Array Edge	88	80	71	86	77	67	84	74	64	82	71	61	80	68	59	78	65	56	73	60	52	68	56	48	64	52	45	60	49	42	56	46	40	53	44	38	50	41	36	48	39	34
	30 to 45	Array Interior	103	91	83	100	88	80	97	85	78	94	83	75	92	81	72	89	78	69	85	73	64	81	68	59	77	64	55	73	60	52	69	56	49	65	53	46	62	51	44	59	48	42	
		Array Edge	91	80	71	88	77	68	85	74	64	83	71	62	81	68	59	78	65	56	73	60	52	68	56	49	64	52	45	60	49	42	56	46	40	53	44	38	51	41	36	48	39	34	
	C	0 to 7.5	Array Interior	91	86	82	90	85	80	89	83	78	88	82	76	86	80	73	85	79	71	83	76	67	81	73	63	78	69	58	76	65	55	73	62	51	70	58	48	67	55	46	64	53	43
			Array Edge	86	80	73	85	78	70	83	77	68	82	74	65	80	72	62	79	70	60	76	66	55	73	61	51	69	57	47	65	54	44	62	51	42	58	48	39	57	45	37	53	43	35
		7.5 to 15	Array Interior	91	85	81	89	84	79	88	82	77	87	80	75	85	79	73	84	78	71	82	74	66	79	70	61	77	66	57	74	62	54	71	58	51	67	55	48	64	52	45	61	50	43
			Array Edge	85	79	72	84	77	70	82	74	66	80	72	63	79	70	61	78	67	58	74	63	54	70	58	50	66	54	47	62	51	44	58	48	41	55	45	39	52	43	37	50	41	35
15 to 30		Array Interior	92	83	75	90	80	71	88	78	68	86	74	65	83	71	62	81	68	60	77	63	55	72	59	51	67	55	48	63	52	45	59	49	42	56	46	40	53	44					

Maximum Rail Spans (Inches)			Everest Solar 48-XL Flush-Mount Dual Rail, Open Mono Slope Roof 30-60ft, 72 Cell(L) Rail Only																																														
Ground Snow Load	Exposure Category	Panel Angle	Wind Speed -> Roof Zone ->	95 mph			100 mph			105 mph			110 mph			115 mph			120 mph			130mph			140 mph			150 mph			160 mph			170 mph			180 mph			190 mph			200 mph						
				1	2	3	1	2	3	1	2	3	1	2	3	1	2	3	1	2	3	1	2	3	1	2	3	1	2	3	1	2	3	1	2	3	1	2	3	1	2	3	1	2	3				
30 psf	B	0 to 7.5	Array Interior	94	89	86	93	88	84	92	87	83	91	86	81	90	84	80	89	83	79	87	81	75	85	78	71	83	76	68	81	73	63	79	70	60	77	67	56	74	64	53	72	61	50				
			Array Edge	89	84	80	88	83	78	87	81	75	86	80	73	84	78	70	83	77	68	81	73	64	78	69	59	76	66	55	73	62	52	70	58	48	67	55	46	64	52	43	61	50	41				
		7.5 to 15	Array Interior	94	89	85	93	87	83	91	86	82	90	85	80	89	83	79	88	82	77	86	79	72	84	77	70	81	74	66	79	70	62	77	67	58	75	64	55	72	60	52	69	57	50				
			Array Edge	89	83	78	87	81	77	86	80	74	85	78	72	83	77	70	82	75	67	79	71	62	77	67	58	74	62	54	70	58	51	67	55	48	64	52	45	62	49	43	57	47	41				
		15 to 30	Array Interior	93	86	81	91	84	79	89	83	77	88	81	75	86	79	71	85	78	69	82	73	64	80	68	59	77	64	55	73	60	52	69	56	49	65	53	46	62	50	44	59	48	42				
			Array Edge	86	79	71	84	77	67	83	74	64	81	71	61	79	68	59	78	65	56	82	73	60	82	68	58	76	62	52	68	56	49	64	52	45	60	49	42	56	46	40	53	44	36	48	39	34	
	30 to 45	Array Interior	102	91	83	100	88	80	97	85	78	94	83	75	92	81	72	89	78	69	85	73	64	81	68	59	78	65	56	73	60	52	69	56	49	65	53	46	62	51	44	59	48	42					
		Array Edge	91	80	71	88	77	68	85	74	64	83	71	62	81	68	59	78	65	56	82	73	60	82	68	59	76	62	52	68	56	49	64	52	45	60	49	42	56	46	40	53	44	38	51	41	36	48	39
	C	0 to 7.5	Array Interior	91	86	81	90	84	80	88	83	78	87	81	76	86	80	73	85	79	71	82	76	67	80	72	63	78	69	58	75	65	55	73	62	51	70	58	48	67	55	46	64	53	43				
			Array Edge	86	80	73	84	78	70	83	76	68	81	74	65	80	72	62	79	70	60	76	66	55	72	61	51	69	57	47	65	54	44	62	51	42	58	48	39	55	45	37	53	43	35				
		7.5 to 15	Array Interior	90	85	80	89	83	79	88	82	77	86	80	75	85	79	72	84	77	70	81	73	66	79	70	61	76	66	57	73	62	54	70	58	51	67	55	48	64	52	45	61	50	43				
			Array Edge	85	78	72	83	76	69	82	74	66	80	72	63	79	69	61	77	67	58	73	62	54	70	58	50	66	54	47	62	51	44	58	48	41	55	45	39	52	43	37	50	41	35				
15 to 30		Array Interior	88	81	75	86	79	71	84	77	68	83	74	65	81	71	62	80	68	60	77	63	55	72	59	51	67	55	48	63	52	45	59	49	42	56	46	40	53	44	38	51	41	36					
		Array Edge	81	70	61	79	67	58	77	64	56	74	61	53	71	59	51	68	56	49	63	52	45	59	48	42	55	45	39	52	42	37	49	40	34	46	38	33	44	36	31	41	34	29					
30 to 45	Array Interior	94	83	75	91	80	71	88	78	68	86	75	65	84	72	62	81	69	60	77	64	55	72	59	51	67	55	48	63	52	45	60	49	42	56	46	40	53	44	38	51	41	36						
	Array Edge	83	71	62	80	67	59	78	64	56	75	61	53	72	59	51	69	56	49	64	52	45	59	48	42	55	45	39	52	42	37	49	40	35	46	38	33	44	34	29	39	32	27						
D	0 to 7.5	Array Interior	90	84	80	88	83	77	87	81	74	86	80	72	84	78	70	83	77	68	81	73	63	78	69	58	76	65	54	72	61	51	70	58	48	66	54	45	63	52	43	60	49	40					
		Array Edge	84	78	69	83	76	67	81	73	64	80	71	61	78	69	58	77	66	55	73	61	51	69	57	47	65	53	44	61	50	41	58	47	39	54	45	37	52	42	35	49	40	33					
	7.5 to 15	Array Interior	89	83	78	87	81	76	86	80	74	85	78	72	83	77	69	82	74	66	79	70	61	77	66	57	73	61	53	70	58	50	66	54	47	63	51	45	59	49	42	57	46	40					
		Array Edge	83	76	68	81	73	65	80	71	62	78	68	59	77	65	57	74	63	54	70	58	50	66	54	47	61	50	44	58	47	41	56	46	40	53	44	38	51	42	36	47	39	33					
	15 to 30	Array Interior	87	79	70	85	76	66	83	73	63	81	70	61	80	67	58	78	64	56	72	59	51	67	55	48	63	51	45	59	48	42	56	45	39	52	43	37	50	41	35	47	39	33					
		Array Edge	79	66	57	76	63	55	73	60	52	70	57	50	67	55	47	64	52	46	59	48	42	55	45	39	51	42	36	48	39	34	45	37	32	43	35	30	41	33	29	32	27						
30 to 45	Array Interior	90	79	70	87	77	67	85	73	64	82	70	61	80	67	58	78	64	56	72	59	52	67	55	48	64	53	46	59	49	42	55	45	39	52	43	37	50	41	35	47	39	34						
	Array Edge	79	66	57	77	63	55	73	60	52	70	57	50	67	55	48	64	53	46	59	49	42	55	45	39	51	42	36	48	40	34	46	37	32	43	35	30	41	33	29	32	27							
35 psf	B	0 to 7.5	Array Interior	91	87	83	90	86	82	89	85	81	88	84	80	87	83	79	86	81	77	85	79	74	83	77	71	81	74	67	79	71	63	77	68	60	75	66	56	72	63	53	70	61	50				
			Array Edge	87	82	78	86	81	77	85	80	74	84	78	72	83	77	70	81	75	68	79	71	64	77	68	59	74	65	55	71	62	52	68	58	48	66	55	46	63	52	43	61	50	41				
		7.5 to 15	Array Interior	91	87	83	90	85	82	89	84	80	88	83	79	87	82	77	86	80	76	84	78	72	82	75	69	80	72	65	78	69	62	80	72	65	78	69	62	76	66	58	73	64	55	70	60	52	
			Array Edge	87	81	77	85	80	75	84	78	72	83	77	70	82	75	68	80	73	66	78	69	62	82	75	68	72	62	54	68	58	51	69	58	51	66	55	48	64	52	45	60	49	43	57	47	41	
		15 to 30	Array Interior	90	84	80	89	83	78	88	81	76	86	80	74	85	78	71	83	77	69	81	72	64	78	68	59	75	64	55	72	60	52	68	56	49	65	49	42	56	46	40	53	44	38	50	41	36	
			Array Edge	84	78	71	83	75	67	81	73	64	80	71	61	78	68	59	77	65	56	72	60	52	68	56	48	64	52	45	60	49	42	56	46	40	53	44	38	50	41	36	48	39	34				
	30 to 45	Array Interior	101	91	83	99	88	80	97	85	78	94	83	75	92	81	72	89	78	69	85	73	64	81	68	59	77	64	55	73	60	52	69	56	49	65	53	46	62	51	44	59	48	42					
		Array Edge	91	80	71	88	77	68	85	74	64	83	71	62	81	68	59	78	65	56	73	60	52	68	56	49	64	52	45	60	49	42	56	46	40	53	44	38	51	41	36	48	39	34					
	C	0 to 7.5	Array Interior	88	84	80	87	82	78	86	81	77	85	80	75	84	79	73	83	77	71	81	74	67	79	70	63	76	67	58	74	64	55	71	62	51	68	58	48	66	55	46	64	53	43				
			Array Edge	84	78	72	82	76	70	81	74	68	80	72	65	79	70	62	77	68	60	74	65	55	70	61	51	67	57	47	64	54	44	62	51	42	58	48	39	56	45	37	53	43	35				
		7.5 to 15	Array Interior	88	83	79	87	81	77	86	80	75	84	79	73	83	77	71	82	76	69	80	72	65	78	68	61	75	65	57	72	62	54	69	58	51	66	55	48	64	52	45	61	50	43				
			Array Edge	83	77	70	81	75	68	80	72	66	79	70	63	77	68	61	76	66	58	72	62	54	68	58	50	65	54	47	62	51	44	58	48	41	55	45	39	52	43	37	50	41	35				
15 to 30		Array Interior	86	80	74	85	78	71	83	76	68	82	73	65	80	70	61	79	68	60	75																												

Maximum Rail Spans (Inches)			Everest Solar 48-XL Flush-Mount Dual Rail, Open Mono Slope Roof 30-60ft, 72 Cell(L) Rail Only																																																
Ground Snow Load	Exposure Category	Panel Angle	Wind Speed ->	95 mph		100 mph		105 mph		110 mph		115 mph		120 mph		130mph		140 mph		150 mph		160 mph		170 mph		180 mph		190 mph		200 mph																					
			Roof Zone ->	1	2	3	1	2	3	1	2	3	1	2	3	1	2	3	1	2	3	1	2	3	1	2	3	1	2	3	1	2	3	1	2	3															
45 psf	B	0 to 7.5	Array Interior	86	83	80	86	82	79	85	81	78	84	80	77	83	79	75	83	78	74	81	76	71	79	73	68	78	71	65	76	68	62	74	66	60	71	63	56	69	61	53	67	59	50						
			Array Edge	83	79	75	82	78	73	81	76	71	80	75	69	79	73	67	78	71	66	76	68	62	73	65	59	71	63	55	68	60	52	66	57	48	63	55	46	61	52	43	59	50	41						
		7.5 to 15	Array Interior	87	83	80	86	82	78	85	81	77	84	80	76	83	79	74	82	78	72	80	75	69	79	72	66	77	69	63	75	66	60	72	64	58	70	61	55	68	59	52	65	57	50						
			Array Edge	83	78	73	82	77	71	81	75	69	80	73	68	79	72	66	78	70	64	75	67	61	72	63	57	69	61	54	66	58	51	64	55	48	61	52	45	59	49	43	57	47	41						
		15 to 30	Array Interior	87	82	77	86	80	75	84	79	73	83	77	71	82	76	69	81	74	67	78	70	63	76	67	59	73	63	55	70	60	52	67	56	49	64	53	46	62	50	44	59	48	42						
			Array Edge	82	75	68	80	73	66	79	70	64	77	68	61	76	66	59	74	64	56	70	60	52	67	56	48	63	52	45	60	49	42	57	46	40	53	44	38	50	41	36	48	39	34						
	30 to 45	Array Interior	99	90	83	97	88	80	95	85	78	93	83	75	91	81	72	89	78	69	85	73	64	81	68	59	77	64	55	73	60	52	69	56	49	65	53	46	62	51	44	59	48	42							
		Array Edge	90	80	71	88	77	68	85	74	64	83	71	62	81	68	59	78	65	56	73	60	52	68	56	49	64	52	45	60	49	42	56	46	40	53	44	38	51	41	36	48	39	34							
	C	0 to 7.5	Array Interior	84	80	77	83	79	75	82	78	73	81	77	71	80	75	70	80	74	68	78	70	65	75	68	62	73	65	58	70	62	55	68	60	51	66	57	48	63	55	46	61	53	43						
			Array Edge	80	75	69	79	73	67	78	71	65	77	69	63	75	67	61	74	66	60	70	62	55	68	59	51	65	57	47	62	54	44	60	51	42	57	48	39	55	45	37	53	43	35						
		7.5 to 15	Array Interior	84	80	76	83	78	74	82	77	72	81	76	70	80	74	68	79	72	66	77	69	63	74	66	60	71	63	57	69	60	54	66	58	51	64	55	48	62	52	45	59	50	43						
			Array Edge	80	73	67	78	71	65	77	69	63	76	67	61	74	66	60	72	64	58	69	60	54	66	57	50	63	54	47	60	51	44	58	48	41	55	45	39	52	43	37	50	41	35						
15 to 30		Array Interior	83	77	71	82	75	69	80	73	66	79	71	64	78	69	62	76	67	60	73	63	55	69	59	51	66	55	48	63	52	45	59	49	42	56	46	40	53	44	38	51	41	36							
		Array Edge	77	68	61	75	66	58	73	64	56	71	61	53	69	59	51	67	56	49	63	52	45	59	48	42	55	45	39	52	42	37	49	40	34	46	38	33	44	36	31	41	34	29							
30 to 45	Array Interior	93	83	75	91	80	71	88	78	68	86	75	65	84	72	62	81	69	60	77	64	55	72	59	51	67	55	48	63	52	45	60	49	42	56	46	40	53	44	38	51	41	36								
	Array Edge	83	71	62	80	67	59	78	64	56	75	61	53	72	59	51	69	56	49	64	52	45	59	48	42	55	45	39	52	42	37	49	40	35	46	38	33	44	36	31	41	34	29								
D	0 to 7.5	Array Interior	85	80	76	84	79	74	83	78	72	82	76	70	80	74	68	79	73	66	77	69	63	75	66	58	72	63	54	69	60	51	66	58	48	64	54	45	62	52	43	59	49	40							
		Array Edge	80	74	68	79	72	66	78	70	63	76	68	61	74	66	58	73	64	55	69	60	51	66	57	47	62	53	44	60	50	41	58	47	39	54	45	37	52	42	35	49	40	33							
	7.5 to 15	Array Interior	84	79	75	83	78	72	82	76	70	81	74	68	80	73	66	79	71	64	76	67	61	73	64	57	70	61	53	67	58	50	64	54	47	61	50	44	58	47	41	54	45	39							
		Array Edge	79	72	66	78	70	64	76	68	61	74	66	59	73	64	57	71	62	54	67	58	50	64	54	47	61	50	44	58	47	41	54	45	39	51	42	36	49	40	35	46	38	33							
	15 to 30	Array Interior	83	76	69	81	73	66	80	71	63	78	69	61	76	67	58	74	64	56	70	59	51	67	55	48	63	51	45	59	48	42	56	45	39	52	43	37	50	41	35	47	39	33							
		Array Edge	76	66	57	73	63	55	71	60	52	69	57	50	67	55	47	64	52	46	59	48	42	55	45	39	51	42	36	48	39	34	45	37	32	43	35	30	41	33	29	39	32	27							
30 to 45	Array Interior	90	79	70	87	77	67	85	73	64	82	70	61	80	67	58	78	64	56	72	59	52	67	55	48	63	52	45	59	48	42	56	46	39	53	43	37	50	41	35	47	39	34								
	Array Edge	79	66	57	77	63	55	73	60	52	70	57	50	67	55	48	64	53	46	59	49	42	55	45	39	52	42	36	48	40	34	46	37	32	43	35	30	41	33	29	39	32	27								
50 psf	B	0 to 7.5	Array Interior	84	81	79	84	80	78	83	80	76	82	79	75	82	78	73	81	77	72	79	74	69	78	72	66	76	69	64	74	67	61	72	64	59	69	61	55	67	59	52	64	57	48	62	54	46	60	52	43
			Array Edge	81	78	73	80	76	71	80	74	69	79	73	68	78	71	66	77	70	64	74	67	61	72	64	59	69	61	55	67	59	52	64	57	48	62	54	46	60	52	43	58	50	41						
		7.5 to 15	Array Interior	85	81	78	84	80	77	83	79	76	82	78	74	81	77	72	81	76	71	79	73	68	77	70	65	75	68	62	73	65	59	71	63	57	68	60	54	65	57	51	63	55	48	60	52	45			
			Array Edge	81	77	72	80	75	70	79	73	68	78	72	66	77	70	64	76	68	63	73	65	60	70	62	57	68	60	54	65	57	51	63	55	48	60	52	45	58	49	43	56	47	41						
		15 to 30	Array Interior	85	80	76	84	79	74	83	78	72	82	76	70	81	74	68	80	72	66	77	69	62	74	66	59	71	62	55	69	60	52	66	56	49	63	52	45	60	49	42	56	46	40	53	44	38			
			Array Edge	80	74	67	79	71	65	78	69	63	76	67	61	74	65	59	72	63	56	69	60	52	66	56	48	62	52	45	60	49	42	56	46	40	53	44	38	50	41	36	48	39	34						
	30 to 45	Array Interior	98	90	83	96	88	80	94	85	78	92	83	75	90	81	72	88	78	69	85	73	64	81	68	59	77	64	55	73	60	52	69	56	49	65	53	46	62	51	44	59	48	42							
		Array Edge	90	80	71	88	77	68	85	74	64	83	71	62	81	68	59	78	65	56	73	60	52	68	56	49	64	52	45	60	49	42	56	46	40	53	44	38	51	41	36	48	39	34							
	C	0 to 7.5	Array Interior	82	79	75	81	78	73	81	76	71	80	75	70	79	73	68	78	72	67	76	69	64	74	66	61	71	64	58	69	61	55	67	59	51	64	57	48	62	54	46	60	52	43						
			Array Edge	79	73	68	78	71	66	76	69	64	75	68	62	73	66	60	72	64	59	69	61	55	66	58	51	64	56	47	61	53	44	59	51	42	57	48	39	54	45	37	52	43	35						
		7.5 to 15	Array Interior	82	78	74	81	77	72	80	75	70	79	74	68	78	72	67	78	71	65	75	67	62	72	65	59	70	62	56	67	59	54	65	57	51	63	55	48	61	52	45	59	50	43						
			Array Edge	78	72	66	77	70	64	75																																									

Maximum Rail Spans (Inches)			Everest Solar 48-XL Flush-Mount Dual Rail, Open Mono Slope Roof 30-60ft, 72 Cell(L) Rail Only																																																
Ground Snow Load	Exposure Category	Panel Angle	Wind Speed ->	95 mph		100 mph		105 mph		110 mph		115 mph		120 mph		130mph		140 mph		150 mph		160 mph		170 mph		180 mph		190 mph		200 mph																					
			Roof Zone ->	1	2	3	1	2	3	1	2	3	1	2	3	1	2	3	1	2	3	1	2	3	1	2	3	1	2	3	1	2	3	1	2	3															
70 psf	B	0 to 7.5	Array Interior	75	75	72	75	74	71	75	73	69	75	72	68	75	71	67	74	70	66	72	68	64	69	64	59	68	62	57	66	60	55	64	58	54	63	57	52	61	55	50	61	55	50						
			Array Edge	75	70	67	74	69	65	73	68	64	72	67	63	71	66	61	70	64	60	68	62	58	66	60	55	64	58	53	62	56	51	60	54	48	58	52	46	57	50	43	55	48	41						
		7.5 to 15	Array Interior	77	75	72	77	74	70	77	73	69	76	72	68	75	70	67	74	69	65	72	67	63	71	65	61	69	63	58	67	61	56	65	59	54	63	56	51	61	54	49	59	52	47	57	50	45	55	48	43
			Array Edge	75	70	66	74	69	65	73	67	63	72	66	62	70	65	60	69	64	59	67	61	56	65	59	54	63	56	51	61	54	49	59	52	47	57	50	45	55	48	43	53	47	41						
	C	0 to 7.5	Array Interior	75	72	68	75	71	67	74	69	66	73	68	64	72	67	63	71	66	62	69	64	59	67	62	57	65	59	55	64	57	53	62	55	51	60	54	48	58	52	46	57	50	43	55	48	41			
			Array Edge	72	67	63	71	65	61	69	64	60	68	63	58	67	61	57	66	60	55	64	58	53	62	55	50	59	53	47	57	51	44	55	49	42	54	47	39	52	45	37	50	43	35						
		7.5 to 15	Array Interior	76	72	68	75	70	66	74	69	66	73	68	64	72	66	62	71	65	61	69	63	58	67	60	56	65	58	53	63	56	51	61	54	49	59	52	47	57	50	45	55	48	43						
			Array Edge	72	66	62	70	65	60	69	63	59	68	62	57	66	60	55	65	59	54	63	56	51	60	54	49	58	51	46	56	49	44	54	47	41	52	45	39	50	43	37	48	41	35						
	D	0 to 7.5	Array Interior	77	71	66	76	69	64	74	67	62	73	65	60	71	64	58	70	62	57	67	59	54	64	56	51	64	56	51	61	54	48	59	51	45	57	49	42	55	46	40	53	44	38	51	41	36			
			Array Edge	71	63	58	69	61	56	67	60	54	65	58	52	64	56	51	62	55	49	59	52	45	56	48	42	54	45	39	51	42	37	49	40	34	46	38	33	44	36	31	41	34	29						
		15 to 30	Array Interior	89	81	75	87	80	71	85	78	68	83	75	65	82	72	62	80	69	60	77	64	55	72	59	51	67	55	48	63	52	45	60	49	42	56	46	40	53	44	38	51	41	36						
			Array Edge	81	71	62	80	67	59	78	64	56	75	61	53	72	59	51	69	56	49	64	52	45	59	48	42	55	45	39	52	42	37	49	40	35	46	38	33	44	36	31	41	34	29						
D	0 to 7.5	Array Interior	77	73	69	76	71	67	75	70	66	74	69	64	73	67	63	72	66	61	70	63	59	67	61	56	65	59	54	63	56	51	61	54	48	59	52	45	57	50	43	56	48	40	54	46	38				
		Array Edge	73	67	62	71	65	61	70	64	59	69	62	57	67	61	56	66	59	54	63	56	51	61	54	47	59	51	44	56	49	41	54	47	39	52	45	37	50	42	35	48	40	33							
	7.5 to 15	Array Interior	77	72	68	76	71	66	75	69	65	74	68	63	73	66	61	71	65	60	69	62	57	66	60	54	64	57	52	62	55	50	60	53	47	58	51	45	56	49	42	54	46	40	52	45	38				
		Array Edge	72	66	61	71	64	59	69	62	57	68	61	56	66	59	54	65	58	53	62	55	50	60	52	47	57	50	44	55	47	41	53	45	39	51	42	36	49	40	35	46	38	33							
D	15 to 30	Array Interior	77	70	64	76	68	62	74	66	60	72	64	59	70	62	57	69	61	55	66	58	51	63	55	48	60	51	45	57	48	42	55	45	39	52	43	37	50	41	35	47	39	33							
		Array Edge	70	62	56	68	60	54	66	58	52	64	56	50	62	54	47	61	52	46	58	48	42	55	45	39	51	42	36	48	39	34	45	37	32	43	35	30	41	33	29	39	32	27							
	30 to 45	Array Interior	87	79	70	85	77	67	84	73	64	82	70	61	80	67	58	78	64	56	72	59	52	67	55	48	63	52	45	59	48	42	56	46	39	53	43	37	50	41	35	47	39	34							
		Array Edge	79	66	57	77	63	55	73	60	52	70	57	50	67	55	48	64	53	46	59	49	42	55	45	39	52	42	36	48	40	34	46	37	32	43	35	30	41	33	29	39	32	27							
80 psf	B	0 to 7.5	Array Interior	71	71	69	71	70	68	71	69	67	71	69	66	71	67	64	69	65	62	68	63	60	66	62	58	64	58	54	62	56	52	60	54	50	58	52	48	57	50	46	55	49	43	53	47	41			
			Array Edge	71	68	64	70	66	63	69	65	62	69	64	61	68	63	59	67	62	58	65	60	56	63	58	54	62	56	52	60	54	50	58	52	48	57	50	46	55	49	43	53	47	41						
		7.5 to 15	Array Interior	72	72	69	72	71	68	72	70	66	72	69	65	72	68	64	71	67	63	69	65	61	68	63	59	66	61	57	65	59	55	63	57	53	61	55	50	59	53	48	57	51	46	55	49	44	54	47	43
			Array Edge	72	67	64	71	66	63	70	65	61	69	64	60	68	63	59	67	61	57	65	59	55	63	57	53	61	55	50	59	53	48	57	51	46	55	49	44	54	47	43	52	46	41						
	C	0 to 7.5	Array Interior	78	73	68	77	71	67	75	70	65	74	68	64	73	67	62	72	66	61	69	63	58	67	60	55	65	58	53	63	56	51	61	54	48	59	51	46	57	50	44	55	48	42						
			Array Edge	73	67	62	71	65	60	70	63	58	68	62	57	67	60	55	66	59	54	63	56	51	60	53	48	58	51	45	56	48	42	54	46	40	52	44	38	50	41	36	48	40	34						
		15 to 30	Array Interior	92	85	80	90	84	79	89	82	77	87	80	74	86	79	72	84	77	72	84	76	69	82	73	64	79	68	59	76	64	55	73	60	52	69	56	49	65	53	46	62	51	44	59	48	42			
			Array Edge	85	78	71	84	76	68	82	74	64	80	71	62	79	68	59	77	65	56	73	60	52	68	56	49	64	52	45	60	49	42	56	46	40	53	44	38	51	41	36	48	39	34						
	D	0 to 7.5	Array Interior	71	69	66	71	68	64	70	67	63	70	66	62	69	65	61	68	64	60	66	61	58	65	60	55	63	58	53	61	56	51	60	54	49	58	52	48	57	51	46	55	49	43						
			Array Edge	69	64	61	68	63	59	67	62	58	66	61	57	65	59	55	64	58	54	61	56	52	60	54	49	58	52	47	56	50	44	54	48	42	52	46	39	51	44	37	49	43	35						
		7.5 to 15	Array Interior	72	69	65	72	68	64	71	66	63	70	65	61	69	64	60	68	63	59	66	61	57	64	59	54	62	57	52	61	55	50	59	53	48	57	51	46	56	49	45	54	47	43						
			Array Edge	69	64	60	68	62	58	66	61	57	65	60	55	64	58	54	63	57	53	61	55	50	59	52	48	57	50	46	55	48	44	53	46	41	51	44	39	49	43	37	47	41	35						
D	15 to 30	Array Interior	74	68	64	73	67	62	71	65	60	70	64	59	69	62	57	67	61	56	65	58	53	62	55	50	60	53	48	58	50	45	56	48	42	53	46	40	52	44	38	50	41	36							
		Array Edge	68	62	57	67	60	55	65	58	53	64	57	51	62	55	50	61	53	48	58	51	45	55	48	42	53	45	39	50	42	37	48	40	34	46	38	33	44	36	31	41	34	29							
	30 to 45	Array Interior	87	80	74	85	79	71	84	77	68	82	74	65	81	72	62	79	69	60	76	64	55	72	59	51	67	55	48	63</																					



Maximum Rail Spans (Inches)			Everest Solar 48-XL Flush-Mount Dual Rail, Open Mono Slope Roof 30-60ft, 72 Cell(L) Rail Only																																												
Ground Snow Load	Exposure Category	Panel Angle	Wind Speed ->			95 mph			100 mph			105 mph			110 mph			115 mph			120 mph			130mph			140 mph			150 mph			160 mph			170 mph			180 mph			190 mph			200 mph		
			Roof Zone ->			1	2	3	1	2	3	1	2	3	1	2	3	1	2	3	1	2	3	1	2	3	1	2	3	1	2	3	1	2	3	1	2	3	1	2	3	1	2	3	1	2	3
100 psf	B	0 to 7.5	Array Interior	63	63	63	63	63	63	63	63	62	63	63	61	63	63	60	63	62	59	63	61	58	63	59	56	62	58	54	61	56	53	59	55	51	58	54	50	57	52	48	56	51	47		
			Array Edge	63	63	60	63	62	59	63	61	58	63	60	57	63	59	56	62	58	55	61	56	53	59	55	51	58	53	49	56	51	48	55	50	46	54	48	44	52	47	43	51	45	41		
		7.5 to 15	Array Interior	65	65	64	65	65	63	65	64	62	65	64	61	65	63	60	65	62	59	64	61	57	63	59	56	62	57	54	60	56	52	59	54	50	58	53	49	57	51	47	55	50	46		
			Array Edge	65	63	60	65	62	59	64	61	58	64	60	56	63	59	55	62	58	54	61	56	52	59	54	50	57	52	48	56	50	46	54	49	45	53	47	43	51	46	41	50	44	40		
		15 to 30	Array Interior	72	68	64	71	67	63	70	66	62	69	64	60	68	63	59	67	62	58	65	60	55	63	58	53	61	55	51	60	53	49	58	52	47	56	50	45	54	48	43	53	46	42		
			Array Edge	68	63	59	67	61	57	66	60	56	64	59	54	63	57	53	62	56	52	60	54	49	58	51	47	55	49	44	53	47	42	52	45	40	50	43	38	48	41	36	46	39	34		
		30 to 45	Array Interior	88	83	78	87	81	77	86	80	74	84	78	72	83	77	70	82	75	68	80	71	64	77	67	59	74	64	55	71	60	52	67	56	49	64	52	45	60	49	42	56	46	40		
			Array Edge	83	76	69	81	74	67	80	72	64	78	69	62	77	67	59	75	65	56	71	60	52	67	56	49	64	52	45	60	49	42	56	46	40	53	44	38	51	41	36	48	39	34		
	C	0 to 7.5	Array Interior	63	63	61	63	63	60	63	62	59	63	61	58	63	60	57	63	59	56	62	58	54	60	56	53	59	54	51	58	53	49	56	51	47	55	50	46	54	48	44	52	47	43		
			Array Edge	63	60	57	63	59	56	62	58	55	61	57	54	60	56	52	59	55	51	58	53	49	56	51	47	54	49	45	53	47	43	51	46	42	50	44	39	48	43	37	47	41	35		
		7.5 to 15	Array Interior	65	64	61	65	63	60	65	62	59	65	61	58	64	60	57	63	59	56	62	57	54	60	55	52	59	54	50	57	52	48	56	50	46	54	49	45	53	47	43	51	46	42		
			Array Edge	64	60	56	63	59	55	62	58	54	61	56	53	60	55	52	59	54	50	57	52	48	55	50	46	54	48	44	52	46	42	50	45	40	49	43	39	47	41	37	46	40	35		
		15 to 30	Array Interior	69	64	60	68	63	59	67	62	57	66	60	56	65	59	55	64	58	53	61	55	51	59	53	48	57	51	46	55	49	44	53	47	42	51	45	40	50	43	38	48	41	36		
			Array Edge	64	59	54	63	57	53	62	56	51	60	54	50	59	53	48	58	51	47	55	49	44	53	47	42	51	44	39	49	42	37	47	40	34	45	38	33	43	36	31	41	34	29		
		30 to 45	Array Interior	84	78	72	83	77	70	82	74	67	80	72	65	79	70	62	77	68	60	74	64	55	70	59	51	67	55	48	63	52	45	60	49	42	56	46	40	53	44	38	51	41	36		
			Array Edge	78	69	62	77	67	59	74	64	56	72	61	53	70	59	51	68	56	49	64	52	45	59	48	42	55	45	39	52	42	37	49	40	35	46	38	33	44	36	31	41	34	29		
	D	0 to 7.5	Array Interior	67	65	62	67	64	61	67	63	60	66	62	59	65	61	57	64	60	56	63	58	54	61	56	52	59	54	50	58	52	48	56	51	47	55	49	45	53	47	43	52	46	40		
			Array Edge	65	61	57	64	59	56	63	58	55	62	57	53	61	56	52	60	55	51	58	53	48	56	50	46	54	48	44	52	47	41	51	45	39	49	43	37	47	41	35	46	40	33		
		7.5 to 15	Array Interior	69	65	62	68	64	60	67	63	59	66	62	58	65	60	57	64	59	56	62	57	53	61	55	51	59	53	49	57	51	47	55	50	45	54	48	43	52	46	42	51	45	40		
			Array Edge	65	60	56	64	59	55	63	58	54	62	56	52	60	55	51	59	54	50	57	51	47	55	49	45	53	47	43	51	45	41	50	43	39	48	42	36	46	40	35	45	38	33		
		15 to 30	Array Interior	70	64	60	69	63	58	67	61	57	66	60	55	65	58	54	64	57	52	61	54	49	59	52	47	56	50	45	54	47	42	52	45	39	50	43	37	48	41	35	47	39	33		
			Array Edge	64	58	53	63	56	52	61	55	50	60	53	48	58	52	47	57	50	45	54	48	42	52	45	39	50	42	36	47	39	34	45	37	32	43	35	30	41	33	29	39	32	27		
		30 to 45	Array Interior	84	77	70	82	75	67	81	72	64	79	70	61	78	67	58	76	64	56	71	59	52	67	55	48	63	52	45	59	48	42	56	46	39	53	43	37	50	41	35	47	39	34		
			Array Edge	77	66	57	75	63	55	72	60	52	70	57	50	67	55	48	64	53	46	59	49	42	55	45	39	52	42	36	48	40	34	46	37	32	43	35	30	41	33	29	39	32	27		

Maximum Rail Spans (Inches)			Everest Solar 48-XL Flush-Mount Dual Rail, Open Mono Slope Roof 30-60ft, 72 Cell(P) Rail Only																																												
Ground Snow Load	Exposure Category	Panel Angle	Wind Speed ->	95 mph		100 mph		105 mph		110 mph		115 mph		120 mph		130mph		140 mph		150 mph		160 mph		170 mph		180 mph		190 mph		200 mph																	
			Roof Zone ->	1	2	3	1	2	3	1	2	3	1	2	3	1	2	3	1	2	3	1	2	3	1	2	3	1	2	3	1	2	3	1	2	3											
0 psf	B	0 to 7.5	Array Interior	93	83	75	91	81	72	88	79	69	86	76	67	84	73	64	82	71	62	78	66	57	74	61	52	69	57	49	65	54	46	62	51	43	59	48	40	56	46	38	53	44	36		
		Array Edge	83	73	64	81	69	60	79	66	57	76	63	55	73	61	52	71	59	50	66	54	46	61	51	42	57	47	40	54	44	37	51	42	35	48	40	33	46	38	31	44	36	29			
		7.5 to 15	Array Interior	91	81	73	88	78	69	86	76	66	83	73	64	81	70	61	79	67	59	75	62	54	70	58	51	66	54	47	62	51	44	59	48	42	55	46	40	53	43	38	50	41	36		
		Array Edge	81	69	60	78	66	57	76	63	55	73	60	53	70	58	50	67	55	48	62	51	45	58	48	42	54	45	39	51	42	36	48	40	34	46	37	32	43	35	31	41	34	29			
	15 to 30	Array Interior	82	70	62	80	67	59	77	64	56	74	61	54	71	59	51	68	57	49	64	52	46	59	49	42	56	46	40	52	43	37	49	40	35	47	38	33	44	36	31	42	34	30			
	Array Edge	70	58	51	67	56	48	64	53	46	61	51	44	59	49	42	57	47	40	52	43	37	49	40	35	46	37	32	43	35	30	40	33	29	38	31	27	36	30	26	34	28	24				
	30 to 45	Array Interior	83	71	62	80	68	59	78	65	56	75	62	54	72	59	52	69	57	50	64	53	46	60	49	43	56	46	40	52	43	37	49	41	35	47	38	33	44	36	31	42	34	30			
	Array Edge	71	59	51	68	56	49	65	53	46	62	51	44	59	49	42	57	47	41	53	43	37	49	40	35	46	38	32	43	35	30	41	33	29	38	31	27	36	30	26	34	28	24				
	C	0 to 7.5	Array Interior	86	76	67	84	73	64	81	70	61	79	67	58	77	64	55	74	62	53	69	57	49	65	53	45	61	50	42	57	47	39	54	44	37	51	42	35	48	40	33	46	38	31		
		Array Edge	76	63	55	73	61	52	70	58	49	67	55	47	64	53	45	62	51	43	57	47	39	53	44	37	50	41	34	47	39	32	44	36	30	42	34	28	40	33	27	38	31	25			
		7.5 to 15	Array Interior	83	73	64	81	69	61	79	66	58	76	63	55	73	61	53	71	58	51	66	54	47	61	50	44	57	47	41	54	44	39	51	42	36	48	40	34	46	37	33	43	36	31		
		Array Edge	73	60	52	69	57	50	66	55	48	63	52	46	61	50	44	58	48	42	54	45	39	50	41	36	47	39	34	44	36	32	42	34	30	40	32	28	37	31	27	36	29	25			
15 to 30	Array Interior	74	61	54	71	59	51	68	56	49	65	53	47	62	51	45	60	49	43	55	45	40	52	42	37	48	40	34	45	37	32	43	35	30	40	33	29	38	31	27	36	30	26				
Array Edge	61	51	44	59	48	42	56	46	40	53	44	38	51	42	37	49	40	35	45	37	32	42	35	30	40	32	28	37	30	26	35	29	25	33	27	23	31	26	22	30	24	21					
30 to 45	Array Interior	75	62	54	71	59	51	68	56	49	65	54	47	63	51	45	60	49	43	56	46	40	52	42	37	48	40	34	45	37	32	43	35	30	40	33	29	38	31	27	36	30	26				
Array Edge	62	51	44	59	48	42	56	46	40	53	44	38	51	42	37	49	40	35	46	38	33	43	35	30	40	32	28	37	30	26	35	29	25	33	27	23	31	26	22	30	24	21					
D	0 to 7.5	Array Interior	83	72	63	80	68	59	78	65	56	75	63	54	72	60	51	70	58	49	65	54	45	60	50	42	57	47	39	53	44	37	50	41	34	48	39	34	45	37	32	43	35	30	41	33	29
	Array Edge	72	60	51	68	57	48	65	54	46	62	51	44	60	50	42	58	48	40	54	44	37	50	41	34	47	39	32	44	36	30	41	34	28	39	32	26	37	30	25	35	29	24				
	7.5 to 15	Array Interior	80	68	60	78	65	57	75	62	54	72	59	52	69	57	50	66	55	48	61	51	44	57	47	41	54	44	38	50	41	36	48	39	34	45	37	32	43	35	30	41	33	29			
	Array Edge	68	56	49	65	54	47	62	51	45	59	49	43	57	47	41	55	45	39	51	42	36	47	39	34	44	36	31	41	34	29	39	32	28	37	30	26	35	29	25	33	27	23				
15 to 30	Array Interior	70	58	50	66	55	48	63	52	46	61	50	43	58	48	42	56	46	40	52	43	37	48	40	34	45	37	32	42	35	30	40	33	28	38	31	27	36	29	25	34	28	24				
Array Edge	58	47	41	55	45	39	52	43	37	50	41	36	48	39	34	46	38	33	43	35	30	40	32	28	37	30	26	35	28	24	33	27	23	31	25	22	29	24	21	28	23	20					
30 to 45	Array Interior	70	58	50	67	55	48	64	53	46	61	50	44	59	48	42	56	46	40	52	43	37	48	40	34	45	37	32	42	35	30	40	33	28	38	31	27	36	29	25	34	28	24				
Array Edge	58	48	41	55	45	39	53	43	37	50	41	36	48	39	34	46	38	33	43	35	30	40	32	28	37	30	26	35	28	25	33	27	23	31	25	22	29	24	21	28	23	20					
5 psf	B	0 to 7.5	Array Interior	91	83	75	90	81	72	88	79	69	86	76	67	84	73	64	81	70	61	78	66	57	74	61	52	69	57	49	65	54	46	62	51	43	59	48	40	56	46	38	53	44	36		
		Array Edge	83	73	64	81	69	60	79	66	57	76	63	55	73	61	52	71	59	50	66	54	46	61	51	42	57	47	40	54	44	37	51	42	35	48	40	33	46	38	31	44	36	29			
		7.5 to 15	Array Interior	90	81	73	88	78	69	86	76	66	83	73	64	81	70	61	79	67	59	75	62	54	70	58	51	66	54	47	62	51	44	59	48	42	55	46	40	53	43	38	50	41	36		
		Array Edge	81	69	60	78	66	57	76	63	55	73	60	53	70	58	50	67	55	48	62	51	45	58	48	42	54	45	39	51	42	36	48	40	34	46	37	32	43	35	31	41	34	29			
	15 to 30	Array Interior	82	70	62	80	67	59	77	64	56	74	61	54	71	59	51	68	57	49	64	52	46	59	49	42	56	46	40	52	43	37	49	40	35	47	38	33	44	36	31	42	34	30			
	Array Edge	70	58	51	67	56	48	64	53	46	61	51	44	59	49	42	57	47	40	52	43	37	49	40	35	46	37	32	43	35	30	40	33	29	38	31	27	36	30	26	34	28	24				
	30 to 45	Array Interior	83	71	62	80	68	59	78	65	56	75	62	54	72	59	52	69	57	50	64	53	46	60	49	43	56	46	40	52	43	37	49	41	35	47	38	33	44	36	31	42	34	30			
	Array Edge	71	59	51	68	56	49	65	53	46	62	51	44	59	49	42	57	47	41	53	43	37	49	40	35	46	38	32	43	35	30	41	33	29	38	31	27	36	30	26	34	28	24				
	C	0 to 7.5	Array Interior	86	76	67	84	73	64	81	70	61	79	67	58	77	64	55	74	62	53	69	57	49	65	53	45	61	50	42	57	47	39	54	44	37	51	42	35	48	40	33	46	38	31		
		Array Edge	76	63	55	73	61	52	70	58	49	67	55	47	64	53	45	62	51	43	57	47	39	53	44	37	50	41	34	47	39	32	44	36	30	42	34	28	40	33	27	38	31	25			
		7.5 to 15	Array Interior	83	73	64	81	69	61	79	66	58	76	63	55	73	61	53	71	58	51	66	54	47	61	50	44	57	47	41	54	44	39	51	42	36	48	40	34	46	37	33	43	36	31		
		Array Edge	73	60	52	69	57	50	66	55	48	63	52	46	61	50	44	58	48	42	54	45	39	50	41	36																					

Maximum Rail Spans (Inches)			Everest Solar 48-XL Flush-Mount Dual Rail, Open Mono Slope Roof 30-60ft, 72 Cell(P) Rail Only																																												
Ground Snow Load	Exposure Category	Panel Angle	Wind Speed -> Roof Zone ->	95 mph			100 mph			105 mph			110 mph			115 mph			120 mph			130mph			140 mph			150 mph			160 mph			170 mph			180 mph			190 mph			200 mph				
				1	2	3	1	2	3	1	2	3	1	2	3	1	2	3	1	2	3	1	2	3	1	2	3	1	2	3	1	2	3	1	2	3	1	2	3	1	2	3	1	2	3		
15 psf	B	0 to 7.5	Array Interior	80	75	69	79	73	67	78	71	66	77	69	64	75	68	62	74	66	60	71	63	57	68	60	52	65	57	49	63	54	46	60	51	43	58	48	40	56	46	38	53	44	36		
			Array Edge	75	67	61	73	65	59	71	63	57	69	61	55	68	60	52	66	58	50	63	54	46	60	51	42	57	47	40	54	44	37	51	42	35	48	40	33	46	38	31	44	36	29		
		7.5 to 15	Array Interior	79	73	68	78	71	66	77	70	64	76	68	62	74	66	60	72	64	58	69	61	54	66	58	51	63	54	47	61	51	44	58	48	42	55	46	40	53	43	38	50	41	36		
			Array Edge	73	65	60	71	63	57	70	61	55	68	59	53	66	58	50	64	55	48	61	51	45	58	48	42	54	45	39	51	42	36	48	40	34	46	37	32	43	35	31	41	34	29		
		15 to 30	Array Interior	80	70	62	79	67	59	77	64	56	74	61	54	71	59	51	68	57	49	64	52	46	59	49	42	56	46	40	52	43	37	49	40	35	46	37	32	43	35	30	42	34	30		
			Array Edge	70	58	51	67	56	48	64	53	46	61	51	44	59	49	42	57	47	40	52	43	37	49	40	35	46	37	32	43	35	30	40	33	29	38	31	27	36	30	26	34	28	24		
	30 to 45	Array Interior	83	71	62	80	68	59	78	65	56	75	62	54	72	59	52	69	57	50	64	53	46	60	49	43	56	46	40	52	43	37	49	41	35	47	38	33	44	36	31	42	34	30			
		Array Edge	71	59	51	68	56	49	65	53	46	62	51	44	59	49	42	57	47	41	53	43	37	49	40	35	46	38	32	43	35	30	41	33	29	38	31	27	36	30	26	34	28	24			
	C	0 to 7.5	Array Interior	77	69	64	75	67	62	73	65	60	71	64	58	70	62	55	68	60	53	65	57	49	62	53	45	59	50	42	57	47	39	54	44	37	51	42	35	48	40	33	46	38	31		
			Array Edge	69	61	55	67	59	52	65	57	49	64	55	47	62	53	45	60	51	43	57	47	39	53	44	37	50	41	34	47	39	32	44	36	30	42	34	28	40	33	27	38	31	25		
		7.5 to 15	Array Interior	76	68	62	74	66	60	72	64	58	70	62	55	68	60	53	66	58	51	63	54	47	60	50	44	57	47	41	54	44	39	51	42	36	48	40	34	46	37	33	43	36	31		
			Array Edge	68	59	52	66	57	50	64	55	48	62	52	46	60	50	44	58	48	42	54	45	39	50	41	36	47	39	34	44	36	32	42	34	30	40	32	28	37	31	27	36	29	25		
15 to 30		Array Interior	74	61	54	71	59	51	68	56	49	65	53	47	62	51	45	60	49	43	55	45	40	52	42	37	48	40	34	45	37	32	43	35	30	40	33	29	38	31	27	36	30	26			
		Array Edge	61	51	44	59	48	42	56	46	40	53	44	38	51	42	37	49	40	35	45	37	32	42	35	30	40	32	28	37	30	26	35	29	25	33	27	23	31	26	22	30	24	21			
30 to 45	Array Interior	75	62	54	71	59	51	68	56	49	65	54	47	63	51	45	60	49	43	56	46	40	52	42	37	48	40	34	45	37	32	43	35	30	40	33	29	38	31	27	36	30	26				
	Array Edge	62	51	44	59	48	42	56	46	40	54	44	38	51	42	37	49	40	35	46	37	32	42	35	30	40	32	28	37	30	26	35	29	25	33	27	23	31	26	22	30	24	21				
D	0 to 7.5	Array Interior	74	67	61	72	65	59	71	63	56	69	61	54	67	59	51	65	57	49	62	54	45	59	50	42	57	47	39	53	44	37	50	41	34	48	39	32	45	37	31	43	35	29			
		Array Edge	67	59	51	65	57	48	61	53	46	61	52	44	59	50	42	57	48	40	54	44	37	50	41	34	47	38	32	44	36	30	41	34	28	39	32	26	37	30	25	35	29	24			
	7.5 to 15	Array Interior	73	65	59	71	63	57	69	61	54	67	59	52	65	57	50	64	55	48	60	51	44	57	47	41	54	44	38	50	41	36	48	39	34	45	37	32	43	35	30	41	33	29			
		Array Edge	65	56	49	63	54	47	61	51	45	59	49	43	57	47	41	55	45	39	51	42	36	47	39	34	44	36	31	41	34	29	39	32	28	37	30	26	35	29	25	33	27	24			
	15 to 30	Array Interior	70	58	50	66	55	48	63	52	46	61	50	43	58	48	42	56	46	40	52	43	37	48	40	34	45	37	32	42	35	30	40	33	28	38	31	27	36	29	25	34	28	24			
		Array Edge	58	47	41	55	45	39	52	43	37	50	41	36	48	39	34	46	38	33	43	35	30	40	32	28	37	30	26	35	28	24	33	27	23	31	25	22	29	24	21	28	23	20			
30 to 45	Array Interior	70	58	50	67	55	48	64	53	46	61	50	44	59	48	42	56	46	40	52	43	37	48	40	34	45	37	32	42	35	30	40	33	29	38	31	27	36	29	25	34	28	24				
	Array Edge	58	48	41	55	45	39	53	43	37	50	41	36	48	39	34	46	38	33	43	35	30	40	32	28	37	30	26	35	28	24	33	27	23	31	25	22	29	24	21	28	23	20				
20 psf	B	0 to 7.5	Array Interior	75	70	66	74	68	64	73	67	62	72	65	61	70	64	59	69	63	58	67	60	55	64	57	52	62	55	49	60	53	46	58	50	43	56	48	40	54	46	38	52	44	36		
			Array Edge	70	64	59	68	62	57	67	60	55	65	59	54	64	57	52	63	56	50	60	53	46	57	50	42	55	47	40	53	44	37	50	42	35	48	40	33	46	38	31	44	36	29		
		7.5 to 15	Array Interior	75	69	64	74	67	63	72	66	61	71	64	59	70	63	58	68	61	56	65	58	53	63	56	50	61	53	47	58	50	44	55	47	41	53	44	39	46	42	54	46	40	52	43	38
			Array Edge	69	62	57	67	61	55	66	59	54	64	57	52	63	55	50	61	54	48	58	51	45	56	48	42	53	45	39	51	42	36	48	40	34	46	37	32	43	35	31	41	34	29		
		15 to 30	Array Interior	78	69	62	76	67	59	74	64	56	72	61	54	70	59	51	68	57	49	64	52	46	59	49	42	56	46	40	52	43	37	49	40	35	46	37	32	43	35	30	42	34	30		
			Array Edge	69	58	51	67	56	48	64	53	46	61	51	44	59	49	42	57	47	40	52	43	37	49	40	35	46	38	32	43	35	30	40	33	29	38	31	27	36	30	26	34	28	24		
	30 to 45	Array Interior	83	71	62	80	68	59	78	65	56	75	62	54	72	59	52	69	57	50	64	53	46	60	49	43	56	46	40	52	43	37	49	41	35	47	38	33	44	36	31	42	34	30			
		Array Edge	71	59	51	68	56	49	65	53	46	62	51	44	59	49	42	57	47	41	53	43	37	49	40	35	46	38	32	43	35	30	41	33	29	38	31	27	36	30	26	34	28	24			
	C	0 to 7.5	Array Interior	72	65	61	70	64	59	69	62	57	67	61	56	66	59	54	64	58	52	62	55	49	59	52	45	57	50	42	55	47	39	52	44	37	50	42	35	48	40	33	46	38	31		
			Array Edge	65	59	54	64	57	52	62	55	49	61	53	47	59	52	45	58	50	43	55	47	39	52	44	37	50	41	34	47	39	32	44	36	30	42	34	28	40	33	27	38	31	25		
		7.5 to 15	Array Interior	71	64	59	69	62	57	68	61	56	66	59	54	65	58	52	63	56	51	60	53	47	58	50	44	55	47	41	53	44	39	51	42	36	48	40	34	46	37	33	43	36	31		
			Array Edge	64	57	52	62	55	50	61	53	48	59	52	46	58	50	44	56	48	42	53	45	39	50	41	36	47	39	34	44	36	32	42	34	30	40	32	28	40	32	28	37	31	27		
15 to 30		Array Interior	72	61	54	70	59	51	67	56	49	65	53	47	62	51	45	60	49	43	53	45	40	52	42	37	48	40	34	45	37	32	42	35	30	40</											

Maximum Rail Spans (Inches)			Everest Solar 48-XL Flush-Mount Dual Rail, Open Mono Slope Roof 30-60ft, 72 Cell(P) Rail Only																																										
Ground Snow Load	Exposure Category	Panel Angle	Wind Speed ->	95 mph			100 mph			105 mph			110 mph			115 mph			120 mph			130mph			140 mph			150 mph			160 mph			170 mph			180 mph			190 mph			200 mph		
			Roof Zone ->	1	2	3	1	2	3	1	2	3	1	2	3	1	2	3	1	2	3	1	2	3	1	2	3	1	2	3	1	2	3	1	2	3	1	2	3	1	2	3	1	2	3
30 psf	B	0 to 7.5	Array Interior	75	69	65	73	68	63	72	66	62	71	65	60	70	64	59	68	62	57	66	59	55	64	57	52	61	55	49	59	52	46	57	50	43	55	48	40	53	46	38	52	44	36
			Array Edge	69	63	58	68	61	57	66	60	55	65	58	53	64	57	52	62	55	50	59	52	46	57	50	42	55	47	40	52	44	37	50	42	35	48	40	33	46	38	31			
		7.5 to 15	Array Interior	74	69	64	73	67	62	72	65	60	70	64	59	69	62	57	68	61	56	65	58	53	62	55	50	60	53	47	58	51	44	56	48	42	54	46	40	52	43	38	50	41	36
			Array Edge	69	62	57	67	60	55	65	58	53	64	57	52	62	55	50	61	54	48	58	51	45	55	48	42	53	45	39	51	42	36	48	40	34	46	37	32	43	35	31	41	34	29
	15 to 30	Array Interior	73	65	60	71	63	58	69	61	56	67	60	54	66	58	51	64	56	49	61	52	46	58	49	42	55	46	40	52	43	37	49	40	35	46	37	32	43	35	30	41	34	30	
		Array Edge	65	57	51	63	55	48	61	53	46	60	51	44	58	49	42	56	47	40	52	43	37	49	40	35	46	37	32	43	35	30	40	33	29	38	31	27	36	30	26	34	28	24	
	30 to 45	Array Interior	82	71	62	80	68	59	78	65	56	75	62	54	72	59	52	69	57	50	64	53	46	60	49	43	56	46	40	52	43	37	49	41	35	47	38	33	44	36	31	42	34	30	
		Array Edge	71	59	51	68	56	49	65	53	46	62	51	44	59	49	42	57	47	41	53	43	37	49	40	35	46	38	32	43	35	30	41	33	29	38	31	27	36	30	26	34	28	24	
	C	0 to 7.5	Array Interior	71	65	60	69	63	59	68	62	57	67	60	55	65	59	54	64	57	52	61	54	49	59	52	45	57	50	43	54	47	39	52	44	37	50	42	35	48	40	34	46	38	31
			Array Edge	65	58	53	63	56	51	62	55	49	60	53	47	59	52	45	57	50	44	54	47	39	52	44	37	49	41	34	47	39	32	44	36	30	42	34	28	40	33	27	38	31	25
		7.5 to 15	Array Interior	70	64	59	69	62	57	67	60	55	66	59	54	64	57	52	63	56	51	60	53	47	57	50	44	55	47	41	53	44	39	50	42	36	48	40	34	46	37	33	43	36	31
			Array Edge	64	57	52	62	55	50	60	53	48	59	52	46	57	50	44	56	48	42	53	45	39	50	41	36	47	39	34	44	36	32	42	34	30	40	32	28	37	31	27	36	29	25
15 to 30	Array Interior	67	60	54	66	58	51	64	56	49	62	53	47	60	51	45	58	49	43	55	45	40	52	42	37	48	40	34	45	37	32	42	35	30	40	33	29	38	31	27	36	30	26		
	Array Edge	60	51	44	58	48	42	56	46	40	53	44	38	51	42	37	49	40	35	45	37	32	42	35	30	40	32	28	37	30	26	35	29	25	33	27	23	31	26	22	30	24	21		
30 to 45	Array Interior	75	62	54	71	59	51	68	56	49	65	54	47	63	51	45	60	49	43	56	46	40	52	42	37	48	40	34	45	37	32	43	35	30	40	33	29	38	31	27	36	30	26		
	Array Edge	62	51	44	59	48	42	56	46	40	53	44	38	51	42	37	49	40	35	46	37	32	42	35	30	40	32	28	37	30	26	35	29	25	33	27	23	31	26	22	30	24	21		
D	0 to 7.5	Array Interior	70	63	58	68	61	56	67	60	55	65	58	53	64	57	51	62	55	49	59	52	45	57	50	43	54	47	39	52	44	37	50	41	34	48	39	32	45	37	31	43	35	29	
		Array Edge	63	56	51	61	54	48	60	53	46	58	51	44	57	49	42	55	48	40	52	44	37	50	41	34	47	38	32	44	36	30	41	34	28	39	32	26	37	30	25	35	29	24	
	7.5 to 15	Array Interior	69	62	57	67	60	55	65	58	53	64	57	51	62	55	50	61	53	48	58	51	44	55	47	41	53	44	38	50	41	36	48	39	34	45	37	32	43	35	30	41	33	29	
		Array Edge	62	55	49	60	53	47	58	51	45	57	49	43	55	47	41	53	45	39	51	42	36	47	39	34	44	36	31	41	34	29	39	32	28	37	30	26	35	29	25	33	27	24	
15 to 30	Array Interior	66	58	50	64	55	48	62	52	46	60	50	43	58	48	42	56	46	40	52	43	37	48	40	34	45	37	32	42	35	30	40	33	28	38	31	27	36	29	25	34	28	24		
	Array Edge	58	47	41	55	45	39	52	43	37	50	41	36	48	39	34	46	38	33	43	35	30	40	32	28	37	30	26	35	28	24	33	27	23	31	25	21	28	23	20					
30 to 45	Array Interior	70	58	50	67	55	48	64	53	46	61	50	44	59	48	42	56	46	40	52	43	37	48	40	34	45	37	32	42	35	30	40	33	29	38	31	27	36	29	25	34	28	24		
	Array Edge	58	48	41	55	45	39	53	43	37	50	41	36	48	39	34	46	38	33	43	35	30	40	32	28	37	30	26	35	28	25	33	27	23	31	25	21	28	23	20					
35 psf	B	0 to 7.5	Array Interior	71	67	63	70	65	61	69	63	59	68	62	57	66	60	56	65	59	54	63	56	52	61	54	49	58	52	47	56	50	44	54	48	42	52	46	40	51	43	38	49	41	36
			Array Edge	67	61	57	65	60	55	64	58	54	63	57	52	61	55	51	60	54	49	58	51	46	55	49	42	53	47	40	51	44	37	49	42	35	47	40	33	45	38	31	43	36	29
		7.5 to 15	Array Interior	71	66	62	70	65	60	69	63	59	68	62	57	66	60	56	65	59	54	63	56	52	61	54	49	58	52	47	56	50	44	54	48	42	52	46	40	51	43	38	49	41	36
			Array Edge	66	60	55	65	58	54	63	57	52	62	55	51	60	54	49	59	52	48	56	50	45	54	47	42	52	45	39	50	42	36	48	40	34	46	37	32	43	35	31	41	34	29
	15 to 30	Array Interior	70	64	58	69	62	56	67	60	55	66	58	53	64	57	51	62	55	49	60	52	46	57	49	42	54	46	40	52	43	37	49	40	35	46	37	32	43	35	30	41	34	30	
		Array Edge	64	56	51	62	54	48	60	52	46	58	51	44	57	49	42	55	47	40	52	43	37	49	40	35	46	37	32	43	35	30	40	33	29	38	31	27	36	30	26	34	28	24	
	30 to 45	Array Interior	81	71	62	79	68	59	78	65	56	75	62	54	72	59	52	69	57	50	64	53	46	60	49	43	56	46	40	52	43	37	49	41	35	47	38	33	44	36	31	42	34	30	
		Array Edge	71	59	51	68	56	49	65	53	46	62	51	44	59	49	42	57	47	41	53	43	37	49	40	35	46	38	32	43	35	30	41	33	29	38	31	27	36	30	26	34	28	24	
	C	0 to 7.5	Array Interior	68	63	58	67	61	57	65	60	55	64	58	54	63	57	52	62	56	51	59	53	48	57	51	45	55	48	42	53	46	39	51	44	37	49	42	35	47	40	33	46	38	31
			Array Edge	63	57	52	61	55	50	60	53	49	58	52	47	57	50	45	56	49	43	53	46	39	51	44	37	48	41	34	46	39	32	44	36	30	42	34	28	40	33	27	38	31	25
		7.5 to 15	Array Interior	68	62	57	66	60	56	65	59	54	63	57	52	62	56	51	61	54	49	58	52	47	56	49	44	54	47	41	51	44	39	49	42	36	47	40	34	46	37	33	43	36	31
			Array Edge	62	55	51	60	54	49	59	52	47	57	50	46	56	49	44	54	47	42	52	45	3																					

Maximum Rail Spans (Inches)			Everest Solar 48-XL Flush-Mount Dual Rail, Open Mono Slope Roof 30-60ft, 72 Cell(P) Rail Only																																																
Ground Snow Load	Exposure Category	Panel Angle	Wind Speed -> Roof Zone ->	95 mph			100 mph			105 mph			110 mph			115 mph			120 mph			130mph			140 mph			150 mph			160 mph			170 mph			180 mph			190 mph			200 mph								
				1	2	3	1	2	3	1	2	3	1	2	3	1	2	3	1	2	3	1	2	3	1	2	3	1	2	3	1	2	3	1	2	3	1	2	3	1	2	3	1	2	3						
45 psf	B	0 to 7.5	Array Interior	66	62	59	65	61	58	64	60	56	63	59	55	62	58	54	61	57	53	60	55	51	58	53	49	56	51	47	55	49	45	53	47	43	51	45	40	50	44	38	48	42	36	29					
			Array Edge	62	57	54	61	56	52	60	55	51	59	54	50	58	52	48	57	51	47	55	49	45	53	47	42	51	45	40	49	43	37	47	41	35	45	40	33	44	38	31	42	36	29						
		7.5 to 15	Array Interior	66	62	58	65	61	57	64	59	56	63	58	54	62	57	53	61	56	52	59	54	50	58	53	49	57	51	47	56	50	46	54	48	43	52	46	42	50	44	40	49	43	38	47	41	36			
			Array Edge	62	57	53	61	55	51	59	54	50	58	53	49	57	51	47	56	50	46	54	48	43	52	46	41	50	44	39	48	42	36	46	40	34	44	37	32	43	35	31	41	34	29						
		15 to 30	Array Interior	66	60	56	65	59	54	63	57	53	62	56	51	61	54	50	59	53	48	57	50	45	55	48	42	52	45	40	50	43	37	48	40	35	45	37	32	43	35	30	40	33	29	38	31	27	36	30	24
			Array Edge	60	54	49	59	52	47	57	51	46	56	49	44	54	48	42	53	46	40	50	43	37	48	40	35	47	40	35	45	37	32	43	35	30	40	33	29	38	31	27	36	30	26	34	28	24			
	30 to 45	Array Interior	79	70	62	78	68	59	75	65	56	73	62	54	71	59	52	69	57	50	64	53	46	60	49	43	56	46	40	52	43	37	49	41	35	47	38	33	44	36	31	42	34	30	40						
		Array Edge	70	59	51	68	56	49	65	53	46	62	51	44	59	49	42	57	47	41	53	43	37	49	40	35	46	38	32	43	35	30	41	33	29	38	31	27	36	30	26	34	28	24							
	C	0 to 7.5	Array Interior	63	59	55	62	58	54	61	56	53	60	55	51	59	54	50	58	53	49	56	51	47	54	49	44	52	47	42	50	45	39	49	43	37	47	41	35	46	40	33	44	38	31	40					
			Array Edge	59	54	50	58	52	48	56	51	47	55	50	45	54	48	44	53	47	43	51	45	39	49	43	37	47	41	34	45	39	32	43	36	30	41	34	28	40	33	27	38	31	25						
		7.5 to 15	Array Interior	63	58	54	62	57	53	61	56	52	60	54	50	58	53	49	57	52	48	55	49	45	53	47	43	51	45	41	49	43	39	48	41	36	46	40	34	44	37	33	43	36	31	40					
			Array Edge	58	53	48	57	51	47	56	50	46	54	48	44	53	47	43	52	46	41	49	43	39	47	41	36	45	39	34	43	36	32	41	34	30	40	32	28	37	31	27	36	29	25						
15 to 30		Array Interior	62	56	51	61	54	49	59	52	48	58	51	46	56	49	45	55	48	43	52	45	40	50	42	37	47	40	34	45	37	32	43	35	30	40	33	29	38	31	27	36	30	26							
		Array Edge	56	49	44	54	47	42	52	46	40	51	44	38	49	42	37	48	40	35	45	37	32	42	35	30	40	32	28	37	30	26	35	29	25	33	27	23	31	26	22	30	24	21							
30 to 45	Array Interior	73	62	54	71	59	51	68	56	49	65	54	47	63	51	45	60	49	43	56	46	40	52	42	37	48	40	34	45	37	32	43	35	30	40	33	29	38	31	27	36	30	26								
	Array Edge	62	51	44	59	48	42	56	46	40	54	44	38	51	42	37	49	40	35	46	37	32	42	35	30	40	32	28	37	30	26	35	29	25	33	27	23	31	26	22	30	24	21								
D	0 to 7.5	Array Interior	64	59	55	63	57	53	61	56	52	60	55	50	59	53	49	58	52	48	56	50	45	54	47	42	52	45	40	50	43	37	48	41	34	46	39	32	44	37	31	43	35	29	24						
		Array Edge	59	53	49	57	52	47	56	50	46	55	49	44	53	47	42	52	46	40	50	43	37	47	41	34	45	38	32	43	36	30	41	34	28	39	32	26	37	30	25	35	29	24							
	7.5 to 15	Array Interior	63	58	54	62	56	52	61	55	51	60	54	49	58	52	48	57	51	46	55	48	44	52	46	41	51	44	39	48	42	36	46	39	34	44	36	31	41	34	29	39	32	28	37	30	25				
		Array Edge	58	52	47	56	50	46	55	49	44	54	47	43	52	46	41	51	44	39	48	42	36	46	39	34	45	38	32	42	35	30	41	34	29	39	32	28	37	30	26	35	29	25							
	15 to 30	Array Interior	61	55	49	60	53	48	58	51	46	56	49	43	55	48	42	53	46	40	51	43	37	48	40	34	51	43	37	48	40	34	45	37	32	42	35	30	40	33	28	38	31	27	36	29	25				
		Array Edge	55	47	41	53	45	39	51	43	37	49	41	36	48	39	34	46	38	33	43	35	30	40	32	28	37	30	26	35	28	24	33	27	23	31	25	22	30	24	21	28	23	20							
30 to 45	Array Interior	70	58	50	67	55	48	64	53	46	61	50	44	59	48	42	56	46	40	52	43	37	48	40	34	45	37	32	40	32	28	37	30	26	35	28	25	33	27	23	31	26	22	30	24						
	Array Edge	58	48	41	55	45	39	53	43	37	50	41	36	48	39	34	46	38	33	43	35	30	40	32	28	37	30	26	35	28	24	33	27	23	31	25	22	30	24	21	28	23	20								
50 psf	B	0 to 7.5	Array Interior	64	60	57	63	59	55	62	58	54	61	57	53	60	56	52	59	55	51	57	52	49	56	50	46	54	49	45	52	47	43	51	45	41	49	43	39	48	42	38	46	40	36						
			Array Edge	60	56	52	59	55	51	58	54	50	57	52	49	56	51	47	55	50	46	53	48	44	51	46	42	50	44	40	48	42	37	46	41	35	45	39	33	43	38	31	42	36	29						
		7.5 to 15	Array Interior	64	60	57	63	59	55	62	58	54	61	57	53	60	56	52	59	55	51	57	52	49	56	50	46	54	49	45	52	47	43	51	45	41	49	43	39	48	42	38	46	40	36						
			Array Edge	60	55	52	59	54	50	58	53	49	57	52	48	56	50	46	55	49	45	52	47	43	50	45	41	49	43	39	47	41	36	45	39	34	43	37	32	42	35	31	40	34	29						
		15 to 30	Array Interior	64	59	55	63	58	53	62	56	52	61	55	50	59	53	49	58	52	48	56	49	45	53	47	42	51	45	40	49	43	37	47	40	35	46	38	33	47	40	35	46	38	31	42	34	30			
			Array Edge	59	53	48	58	51	47	56	50	45	55	48	44	53	47	42	52	46	40	49	43	37	47	40	35	45	37	32	43	35	30	40	33	29	38	31	27	36	30	26	34	28	24						
	30 to 45	Array Interior	78	70	62	77	67	59	74	65	56	72	62	54	70	59	52	68	57	50	64	53	46	60	49	43	56	46	40	52	42	37	48	40	34	45	37	32	43	35	30	41	34	29	38	31	27				
		Array Edge	70	59	51	67	56	49	65	53	46	62	51	44	59	49	42	57	47	41	53	43	37	49	40	35	46	38	32	43	35	30	41	33	29	38	31	27	36	30	26	34	28	24							
	C	0 to 7.5	Array Interior	61	57	54	60	56	53	59	55	51	58	54	50	57	53	49	56	52	48	55	50	46	53	48	44	51	46	42	49	44	39	48	42	37	46	41	35	45	39	33	43	38	31	40					
			Array Edge	57	52	49	56	51	47	55	50	46	54	49	45	53	47	43	52	46	42	50	44	39	48	42	37	46	40	34	44	38	32	44	38	32	42	36	30	41	34	28	39	33	27	38	31	25			
		7.5 to 15	Array Interior	61	57	53	60	55	52	59	54	50	58	53	49	57	52	48	56	51	47	54	48	44	52	46	42	51	45	41	48	43	39	46	41	36	45	39	34	43	37	33	42	36	31	40					
			Array Edge	57	52	48	55	50	46	54	49	45	53	47	43	52	46	42	51	45	41	48	43	39	46	41	36	44	39	34	43	36	32	41	34	30	39	32	28	37	31	27	36	29	25						
15 to 30		Array Interior</																																																	

Maximum Rail Spans (Inches)			Everest Solar 48-XL Flush-Mount Dual Rail, Open Mono Slope Roof 30-60ft, 72 Cell(P) Rail Only																																										
Ground Snow Load	Exposure Category	Panel Angle	Wind Speed -> Roof Zone ->	95 mph			100 mph			105 mph			110 mph			115 mph			120 mph			130mph			140 mph			150 mph			160 mph			170 mph			180 mph			190 mph			200 mph		
				1	2	3	1	2	3	1	2	3	1	2	3	1	2	3	1	2	3	1	2	3	1	2	3	1	2	3	1	2	3	1	2	3	1	2	3	1	2	3	1	2	3
70 psf	B	0 to 7.5	Array Interior	54	54	52	54	53	51	54	52	50	54	52	49	54	51	48	53	50	47	52	49	46	51	47	44	50	46	43	49	44	41	47	43	40	46	42	38	45	41	37	44	39	36
			Array Edge	54	51	48	53	50	47	52	49	46	52	48	45	51	47	44	50	46	43	49	45	41	47	43	40	46	41	38	44	40	36	43	38	35	42	37	33	41	36	31	39	35	29
		7.5 to 15	Array Interior	55	54	51	55	53	51	55	52	50	55	51	49	54	51	48	53	50	47	52	48	45	51	47	43	50	46	42	48	44	40	47	42	39	46	41	37	44	40	36	43	38	35
			Array Edge	54	50	48	53	49	46	52	48	45	51	48	44	51	47	43	50	46	42	48	44	40	47	42	39	45	40	37	44	39	35	41	36	32	39	33	29	38	31	27	36	30	26
	15 to 30	Array Interior	58	54	51	57	53	50	56	52	48	55	51	47	54	50	46	54	49	45	52	46	43	50	45	41	48	43	39	46	41	37	45	39	35	43	38	33	42	36	31	40	34	30	
		Array Edge	54	49	46	53	48	44	52	47	43	51	46	42	50	44	40	49	43	39	46	41	37	45	39	35	42	37	32	41	35	30	39	33	29	38	31	27	36	30	26	34	28	24	
	30 to 45	Array Interior	74	66	60	72	64	58	70	62	56	68	60	54	67	58	52	65	57	50	62	53	46	59	49	43	56	46	40	52	43	37	49	41	35	47	38	33	44	36	31	42	34	30	
		Array Edge	66	58	51	64	56	49	62	53	46	60	51	44	58	49	42	57	47	41	53	43	37	49	40	35	46	38	32	43	35	30	41	33	29	38	31	27	36	30	26	34	28	24	
	C	0 to 7.5	Array Interior	54	52	49	54	51	48	53	50	47	52	49	46	52	48	45	51	47	44	50	46	43	48	44	41	47	43	39	46	41	38	44	40	36	43	38	35	44	40	36	43	38	35
			Array Edge	52	48	45	51	47	44	50	46	43	49	45	42	48	44	41	47	43	40	46	41	38	44	40	36	43	38	34	41	36	32	40	35	30	38	34	28	41	36	32	36	31	25
		7.5 to 15	Array Interior	55	51	49	54	51	48	53	50	47	52	49	46	52	48	45	51	47	44	49	45	42	48	43	40	46	42	38	45	40	37	44	39	35	42	37	34	44	39	35	42	37	33
			Array Edge	51	48	44	51	46	43	50	45	42	49	44	41	48	43	40	47	42	39	45	40	37	43	39	35	42	37	33	40	35	32	39	34	30	37	32	28	36	31	27	35	29	25
15 to 30	Array Interior	55	51	47	54	49	46	53	48	44	52	47	43	51	46	42	50	45	41	48	43	39	46	41	37	44	39	34	42	37	32	41	35	30	39	33	29	38	31	27	36	30	26		
	Array Edge	51	46	42	49	44	40	48	43	39	47	42	38	46	40	36	45	39	35	43	37	32	41	35	30	39	32	28	37	30	26	35	29	25	33	27	23	31	26	22	30	24	21		
30 to 45	Array Interior	68	60	54	66	58	51	64	56	49	62	54	47	61	51	45	59	49	43	56	46	40	52	42	37	48	40	34	45	37	32	43	35	30	40	33	29	38	31	27	36	30	26		
	Array Edge	60	51	44	58	48	42	56	46	40	54	44	38	51	42	37	49	40	35	46	37	32	42	35	30	40	32	28	37	30	26	35	29	25	33	27	23	31	26	22	30	24	21		
D	0 to 7.5	Array Interior	56	52	49	55	51	48	54	50	47	53	49	46	52	48	45	52	47	44	50	46	42	48	44	40	47	42	38	45	40	37	44	39	34	43	37	32	41	36	31	40	35	29	
		Array Edge	52	48	45	51	47	44	50	46	42	49	45	41	48	44	40	47	43	39	46	41	37	44	40	36	43	38	34	41	36	32	40	35	30	39	34	28	37	32	26	36	30	25	
	7.5 to 15	Array Interior	56	52	49	55	51	48	54	50	46	53	49	45	52	48	44	51	47	43	49	45	41	48	43	39	46	41	37	45	39	36	43	38	34	42	36	32	40	35	30	39	33	29	
		Array Edge	52	47	44	51	46	42	50	45	41	49	44	40	48	43	39	47	42	38	45	39	36	43	38	34	41	36	31	39	34	29	38	32	28	36	30	26	35	29	25	33	27	24	
15 to 30	Array Interior	56	50	46	54	49	45	53	47	43	52	46	42	51	45	41	49	44	40	47	41	37	45	39	34	43	37	32	41	35	30	39	33	28	38	31	27	36	29	25	34	28	24		
	Array Edge	50	45	40	49	43	39	47	42	37	46	40	36	45	39	34	44	38	33	41	35	30	39	32	28	37	30	26	35	28	24	33	27	23	31	25	22	29	24	21	28	23	20		
30 to 45	Array Interior	67	58	50	65	55	48	63	53	46	61	50	44	59	48	42	56	46	40	52	43	37	48	40	34	45	37	32	42	35	30	40	33	28	38	31	27	36	29	25	34	28	24		
	Array Edge	58	48	41	55	45	39	53	43	37	50	41	36	48	39	34	46	38	33	43	35	30	40	32	28	37	30	26	35	28	25	33	27	23	31	25	22	29	24	21	28	23	20		
80 psf	B	0 to 7.5	Array Interior	51	51	49	51	51	49	51	49	47	51	49	47	51	49	46	51	48	46	50	47	44	49	45	42	47	43	40	45	42	39	44	40	37	43	39	36	42	37	34			
			Array Edge	51	49	46	51	48	45	50	47	44	49	46	44	49	45	43	48	45	42	47	43	40	45	42	39	44	40	37	43	39	36	42	37	34	41	36	33	39	35	31	38	34	29
		7.5 to 15	Array Interior	52	51	49	52	51	49	52	50	48	52	49	47	52	49	46	51	48	45	50	46	44	49	45	42	48	44	41	46	42	39	45	41	38	44	40	37	43	39	35	42	37	34
			Array Edge	51	48	46	51	48	45	50	47	44	49	46	43	49	45	42	48	44	41	46	42	39	45	41	38	44	39	36	42	38	35	41	37	33	40	35	32	39	34	31	37	33	29
	15 to 30	Array Interior	56	52	49	55	51	48	54	50	47	53	49	46	52	48	45	52	47	44	50	45	42	48	43	40	47	42	38	45	40	36	44	38	35	42	37	33	41	36	31	39	34	30	
		Array Edge	52	48	44	51	47	43	50	45	42	49	44	41	48	43	40	47	42	38	45	40	36	43	38	35	42	36	32	40	35	30	38	33	29	37	31	27	36	30	26	34	28	24	
	30 to 45	Array Interior	72	65	59	70	63	57	68	61	55	67	59	53	65	57	52	63	56	50	60	53	46	58	49	43	55	46	40	52	43	37	49	41	35	47	38	33	44	36	31	42	34	30	
		Array Edge	65	57	51	63	55	49	61	53	46	59	51	44	57	49	42	56	47	41	53	43	37	49	40	35	46	38	32	43	35	30	41	33	29	38	31	27	36	30	26	34	28	24	
	C	0 to 7.5	Array Interior	51	49	47	51	49	46	51	48	45	50	47	45	49	46	44	49	46	44	48	44	41	46	43	40	45	41	38	44	40	37	43	39	36	42	37	34	41	36	33	40	35	31
			Array Edge	49	46	44	49	45	43	48	44	42	47	43	41	46	42	39	44	40	37	43	39	35	41	37	34	40	36	32	39	34	30	37	33	28	36	32	27	35	31	25			
		7.5 to 15	Array Interior	52	49	47	51	49	46	51	48	45	50	47	44	50	46	43	49	45	42	47	44	41	46	42	39	45	41	37	44	39	36	42	38	35	41	37	33	40	35	32	39	34	31
			Array Edge	49	46	43	49	45	42	48	44	41	47	43	40	46	42	39	45	41	38	44	39	36	42	38	34	40	36	32	39	35	31	38	33	30	37	32	28	34	29	25			
15 to 30	Array Interior	53	49	46	52	48	45	51	47	43	50	46	42	49	45	41	48	44	40	47	42	38	45	40	36	43	38	34	41	36	32	40	35	30	38	33	29	37	31	27	36	30	26		
	Array Edge	49																																											

Maximum Rail Spans (Inches)			Everest Solar 48-XL Flush-Mount Dual Rail, Open Mono Slope Roof 30-60ft, 72 Cell(P) Rail Only																																										
Ground Snow Load	Exposure Category	Panel Angle	Wind Speed -> Roof Zone ->	95 mph			100 mph			105 mph			110 mph			115 mph			120 mph			130mph			140 mph			150 mph			160 mph			170 mph			180 mph			190 mph			200 mph		
				1	2	3	1	2	3	1	2	3	1	2	3	1	2	3	1	2	3	1	2	3	1	2	3	1	2	3	1	2	3	1	2	3	1	2	3	1	2	3			
100 psf	B	0 to 7.5	Array Interior	46	46	46	46	46	45	46	46	44	46	46	44	46	45	43	46	45	43	46	44	41	45	43	40	44	41	39	43	40	38	43	39	37	42	38	36	41	37	35	40	37	34
			Array Edge	46	45	43	46	44	42	46	44	42	46	43	41	45	42	40	45	42	39	44	41	38	43	39	37	41	38	35	40	37	34	39	36	33	38	35	32	37	34	31	37	33	29
		7.5 to 15	Array Interior	47	47	46	47	47	45	47	46	44	47	46	44	47	45	43	47	45	42	46	43	41	45	42	40	44	41	39	43	40	37	42	39	36	42	38	35	41	37	34	40	36	33
			Array Edge	47	45	43	47	44	42	46	44	41	46	43	41	45	42	40	45	42	39	43	40	37	42	39	36	41	37	35	40	36	33	39	35	32	38	34	31	37	33	30	36	32	29
		15 to 30	Array Interior	52	49	46	51	48	45	50	47	44	50	46	43	49	45	42	48	45	42	47	43	40	45	41	38	44	40	37	43	38	35	42	37	34	40	36	32	39	34	31	38	33	30
			Array Edge	49	45	42	48	44	41	47	43	40	46	42	39	45	41	38	45	40	37	43	38	35	41	37	33	40	35	32	38	34	30	37	32	29	36	31	27	34	30	26	33	28	24
		30 to 45	Array Interior	68	62	57	67	60	55	65	58	53	64	57	52	62	55	50	61	54	49	58	51	46	56	48	43	53	46	40	51	43	37	49	41	35	47	38	33	44	36	31	42	34	30
			Array Edge	62	55	50	60	53	48	58	51	46	57	50	44	55	48	42	54	47	41	51	43	37	48	40	35	46	38	32	43	35	30	41	33	29	38	31	27	36	30	26	34	28	24
	C	0 to 7.5	Array Interior	46	46	44	46	45	43	46	44	42	46	44	42	46	43	41	45	43	40	44	41	39	43	40	38	42	39	36	41	38	35	40	37	34	39	36	33	38	35	32	38	34	31
			Array Edge	46	43	41	45	42	40	44	42	39	44	41	38	43	40	38	43	39	37	41	38	35	40	37	34	39	35	32	38	34	31	37	33	30	36	32	28	35	31	27	34	30	25
		7.5 to 15	Array Interior	47	46	44	47	45	43	47	44	42	46	44	42	46	43	41	45	42	40	44	41	39	43	40	37	42	39	36	41	37	34	40	36	33	39	35	32	38	34	31	37	33	30
			Array Edge	46	43	41	45	42	40	44	41	39	44	41	38	43	40	37	42	39	36	41	37	35	40	36	33	39	35	32	37	33	30	36	32	29	35	31	28	34	30	27	33	29	25
		15 to 30	Array Interior	50	46	43	49	45	42	48	44	41	47	43	40	46	42	39	46	42	38	44	40	36	43	38	35	41	36	33	40	35	32	38	34	30	37	32	29	36	31	27	35	30	26
			Array Edge	46	42	39	45	41	38	44	40	37	43	39	36	42	38	35	42	37	34	40	35	32	38	33	30	36	32	28	35	30	26	34	29	25	32	27	23	31	26	22	30	24	21
		30 to 45	Array Interior	64	57	52	62	55	50	60	53	48	59	52	47	57	50	45	56	49	43	53	46	40	50	42	37	48	40	34	45	37	32	43	35	30	40	33	29	38	31	27	36	30	26
			Array Edge	57	50	44	55	48	42	53	46	40	52	44	38	50	42	37	49	40	35	46	37	32	42	35	30	40	32	28	37	30	26	35	29	25	33	27	23	31	26	22	30	24	21
	D	0 to 7.5	Array Interior	48	47	45	48	46	44	48	45	43	47	44	42	47	44	41	46	43	40	45	42	39	44	40	37	43	39	36	42	38	35	40	36	33	39	35	32	38	34	31	37	33	29
			Array Edge	47	44	41	46	43	40	45	42	39	44	41	38	44	40	37	43	39	36	42	38	35	40	36	33	39	35	32	38	33	30	36	32	28	35	31	26	34	30	25	33	29	24
		7.5 to 15	Array Interior	49	47	44	49	46	43	48	45	42	47	44	42	47	43	41	46	43	40	45	41	38	44	40	37	42	38	35	41	37	34	40	36	32	39	34	31	38	33	30	36	32	29
			Array Edge	47	43	40	46	42	39	45	41	38	44	40	37	43	40	36	43	39	36	41	37	34	40	35	32	38	34	31	37	32	29	36	31	28	34	30	26	33	29	25	32	27	24
		15 to 30	Array Interior	50	46	43	49	45	42	48	44	41	47	43	40	47	42	39	46	41	37	44	39	36	42	37	34	40	36	32	39	34	30	37	32	28	36	31	27	35	29	25	33	28	24
			Array Edge	46	42	38	45	40	37	44	39	36	43	38	35	42	37	34	41	36	33	39	34	30	37	32	28	36	30	26	34	28	24	32	27	23	31	25	22	29	24	21	28	23	20
		30 to 45	Array Interior	63	55	50	61	54	48	59	52	46	58	50	44	56	48	42	54	46	40	51	43	37	48	40	34	45	37	32	42	35	30	40	33	28	38	31	27	36	29	25	34	28	24
			Array Edge	55	48	41	54	45	39	52	43	37	50	41	36	48	39	34	46	38	33	43	35	30	40	32	28	37	30	26	35	28	25	33	27	23	31	25	22	29	24	21	28	23	20

Maximum Rail Spans (Inches)			Everest Solar X80 Flush-Mount Dual Rail, Open Mono Slope Roof 0-30ft, 72 Cell(L) Rail Only																																																						
Ground Snow Load	Exposure Category	Panel Angle	Wind Speed ->																																																						
			95 mph			100 mph			105 mph			110 mph			115 mph			120 mph			130mph			140 mph			150 mph			160 mph			170 mph			180 mph			190 mph			200 mph															
			Roof Zone ->																																																						
			1	2	3	1	2	3	1	2	3	1	2	3	1	2	3	1	2	3	1	2	3	1	2	3	1	2	3	1	2	3	1	2	3	1	2	3	1	2	3	1	2	3	1	2	3	1	2	3	1	2	3				
0 psf	B	0 to 7.5	Array Interior	180	163	148	177	158	143	172	154	138	168	150	133	164	146	129	160	143	125	153	136	119	147	130	111	141	124	104	136	117	97	131	110	91	126	105	86	120	99	81	115	95	77	110	91	74	105	86	70	99	82	66	95	78	63
		Array Edge	163	145	128	158	141	124	154	137	119	150	133	116	146	130	111	143	126	106	136	117	97	130	110	90	124	103	84	117	97	79	110	91	74	105	86	70	99	82	66	95	78	63													
		7.5 to 15	Array Interior	176	158	145	172	153	141	167	149	137	163	145	133	159	141	130	155	138	126	148	131	118	142	125	110	136	118	103	131	111	97	126	105	91	120	99	86	114	94	82	109	90	78	104	87	71	99	81	67	90	73	64			
		Array Edge	158	140	129	153	136	124	149	132	119	145	129	114	141	125	109	138	120	105	131	111	97	125	104	90	118	97	85	111	91	79	105	86	75	99	81	71	94	77	67	90	73	64													
	15 to 30	Array Interior	161	143	131	156	138	127	152	134	121	147	130	116	144	127	111	140	123	107	133	114	99	127	106	92	120	99	86	113	93	81	107	88	76	101	83	72	96	79	68	91	75	65	86	70	56	81	65	53							
	Array Edge	143	126	110	138	120	105	134	115	100	130	110	96	127	105	92	123	101	88	114	94	81	106	87	76	99	81	71	93	76	66	88	72	63	83	68	59	79	65	56	75	61	53														
	30 to 45	Array Interior	162	148	131	162	144	127	157	140	122	153	136	118	149	131	117	145	127	112	141	123	107	134	114	99	128	106	93	121	100	87	114	94	81	107	88	77	102	83	72	96	79	69	92	75	65	89	72	63							
	Array Edge	144	127	111	139	121	105	135	115	101	131	110	96	127	106	92	123	102	88	114	94	82	106	87	76	100	82	71	94	77	67	88	72	63	83	68	59	79	65	56	75	61	53														
	C	0 to 7.5	Array Interior	166	148	131	162	144	127	157	140	122	153	136	118	149	132	115	146	129	110	139	121	101	133	113	94	127	106	87	121	100	82	114	94	77	108	89	72	103	85	68	98	80	65	93	76	66									
		Array Edge	148	131	113	144	127	107	140	123	102	136	117	97	132	113	93	129	108	89	121	100	82	113	93	76	106	87	71	100	82	66	94	77	62	89	73	59	85	69	56	80	66	53													
		7.5 to 15	Array Interior	161	143	132	157	139	127	152	135	123	148	131	117	144	128	113	141	124	108	134	115	100	128	107	93	122	100	87	114	94	82	108	89	77	102	84	73	97	80	69	93	76	66												
		Array Edge	143	127	111	139	122	106	135	116	101	131	111	97	128	107	93	124	102	89	115	95	83	107	88	77	100	83	72	94	78	67	89	73	63	84	69	60	80	66	57	76	62	54													
15 to 30	Array Interior	146	129	114	141	124	108	137	119	103	133	114	99	130	109	95	126	104	91	117	97	84	109	90	78	102	84	73	96	79	69	91	75	65	86	70	61	82	67	58	78	64	55														
Array Edge	129	108	94	124	102	89	119	98	85	114	93	81	109	90	78	104	86	75	97	79	69	89	73	64	83	68	59	78	64	55	73	60	52	69	56	49	65	53	46	61	50	44	58	48	41												
30 to 45	Array Interior	147	129	114	142	125	109	138	119	104	134	114	99	130	109	95	127	105	91	118	97	84	110	90	79	103	84	73	97	79	69	91	75	65	86	71	61	82	67	58	78	64	55														
Array Edge	129	108	94	125	103	90	119	98	85	114	94	82	109	90	78	105	86	75	97	79	69	89	73	64	83	68	59	78	64	55	73	60	52	69	56	49	65	53	46	61	50	44	58	48	41												
D	0 to 7.5	Array Interior	159	141	124	154	137	119	150	133	115	146	129	110	142	126	105	139	121	101	132	112	93	126	105	86	119	98	80	112	92	75	105	87	70	100	82	66	95	78	63	90	74	60													
	Array Edge	141	124	104	137	119	98	133	113	94	129	108	89	126	104	85	121	100	82	112	92	75	105	86	70	98	81	65	82	76	61	77	62	54	72	57	48	67	54	47	64	51	44	61	48	41											
	7.5 to 15	Array Interior	154	136	124	149	132	119	145	128	113	141	124	109	137	119	104	134	114	100	127	106	93	120	99	86	113	93	81	106	87	76	100	82	71	94	78	67	90	74	64	85	70	61													
	Array Edge	136	118	103	132	112	98	128	107	93	124	103	89	119	98	86	114	94	82	106	87	76	99	81	71	83	76	66	77	62	54	72	67	58	78	64	55	70	60	52	65	54	47	62	50	44	58	48	41								
15 to 30	Array Interior	138	120	105	134	115	100	130	110	95	126	105	91	122	100	87	117	96	84	108	89	78	101	83	72	94	78	67	89	73	63	84	69	60	79	65	56	75	61	53	71	58	51														
Array Edge	120	99	86	115	94	82	110	90	78	105	86	75	100	83	72	96	79	69	89	73	64	83	68	59	78	64	55	73	60	52	69	56	49	65	53	46	61	50	44	58	48	41															
30 to 45	Array Interior	139	121	106	135	115	100	131	110	96	127	105	92	122	101	88	118	97	84	109	89	78	101	83	72	95	78	67	89	73	63	84	69	60	79	65	56	75	62	53	72	59	51														
Array Edge	121	100	87	115	95	82	110	90	79	105	86	75	101	83	72	97	79	69	89	73	64	83	68	59	78	64	55	73	60	52	69	56	49	65	53	46	62	50	44	59	48	41															
5 psf	B	0 to 7.5	Array Interior	174	162	148	172	158	143	169	154	138	166	150	133	163	146	129	160	143	125	153	136	119	147	130	111	141	124	104	136	117	97	131	110	91	126	105	86	120	99	81	115	95	77												
		Array Edge	162	145	128	158	141	124	154	137	119	150	133	116	146	130	111	143	126	106	136	117	97	130	110	90	124	103	84	117	97	79	110	91	74	105	86	70	99	82	66	95	78	63													
		7.5 to 15	Array Interior	173	158	145	169	153	141	166	149	137	163	145	133	159	141	130	155	138	126	148	131	118	142	125	110	136	118	103	131	111	97	126	105	91	120	99	86	114	94	82	109	90	78												
		Array Edge	158	140	129	153	136	124	149	132	119	145	129	114	141	125	109	138	120	105	131	111	97	125	104	90	118	97	85	111	91	79	105	86	75	99	81	71	94	77	67	90	73	64													
	15 to 30	Array Interior	161	143	131	156	138	127	152	134	121	147	130	116	144	127	111	140	123	107	133	114	99	127	106	92	120	99	86	113	93	81	107	88	76	101	83	72	96	79	68	91	75	65													
	Array Edge	143	126	110	138	120	105	134	115	100	130	110	96	127	105	92	123	101	88	114	94	81	106	87	76	99	81	71	93	76	66	88	72	63	83	68	59	79	65	56	75	61	53														
	30 to 45	Array Interior	162	144	131	157	139	127	153	135	122	149	131	117	145	127	112	141	123	107	134	114	99	128	106	93	121	100	87	114	94	81	107	88	77	102	83	72	96	79	69	92	75	65													
	Array Edge	144	127	111	139	121	105	135	115	101	131	110	96	127	106	92	123	102	88	114	94	82	106	87	76	100	82	71	94	77	67	88	72	63	83	68	59	79	65	56	75	61	53														



Maximum Rail Spans (Inches)			Everest Solar X80 Flush-Mount Dual Rail, Open Mono Slope Roof 0-30ft, 72 Cell(L) Rail Only																																										
Ground Snow Load	Exposure Category	Panel Angle	Wind Speed -> Roof Zone ->	95 mph			100 mph			105 mph			110 mph			115 mph			120 mph			130mph			140 mph			150 mph			160 mph			170 mph			180 mph			190 mph			200 mph		
				1	2	3	1	2	3	1	2	3	1	2	3	1	2	3	1	2	3	1	2	3	1	2	3	1	2	3	1	2	3	1	2	3	1	2	3	1	2	3	1	2	3
15 psf	B	0 to 7.5	Array Interior	151	144	138	150	142	135	148	140	133	146	138	131	144	136	128	143	133	125	139	130	119	136	126	111	132	120	104	129	115	97	126	110	91	122	105	86	118	99	81	114	95	77
			Array Edge	144	135	128	142	132	124	140	130	119	138	128	116	136	125	110	133	122	106	130	116	97	126	110	90	122	103	84	115	97	79	110	91	74	105	86	70	99	82	66	95	78	63
		7.5 to 15	Array Interior	151	143	136	149	140	133	147	138	131	145	136	129	143	134	126	141	131	123	138	127	117	134	122	110	130	117	103	127	111	97	123	105	91	118	99	86	114	94	82	109	90	78
			Array Edge	143	133	125	140	130	121	138	128	117	136	125	114	134	122	109	131	118	105	127	111	97	122	104	90	117	97	85	111	91	79	105	86	75	99	81	71	94	77	67	90	73	64
		15 to 30	Array Interior	143	142	131	143	138	127	143	134	121	143	130	116	143	127	111	140	123	107	133	114	99	127	106	92	120	99	86	113	93	81	107	88	76	101	83	72	96	79	68	91	75	65
			Array Edge	142	126	110	138	120	105	134	115	100	130	110	96	127	105	92	123	101	88	114	94	81	106	87	76	99	81	71	93	76	66	88	72	63	83	68	59	79	65	56	75	61	53
	30 to 45	Array Interior	147	144	131	147	139	127	147	135	122	147	131	117	145	127	112	141	123	107	134	114	99	128	106	93	121	100	87	114	94	81	107	88	77	102	83	72	96	79	69	92	75	65	
		Array Edge	144	127	111	139	121	105	135	115	101	131	110	96	127	106	92	123	102	88	114	94	82	106	87	76	100	82	71	94	77	67	88	72	63	83	68	59	79	65	56	75	61	53	
	C	0 to 7.5	Array Interior	145	137	130	143	134	127	141	132	122	139	129	118	137	127	115	135	125	110	131	118	101	128	113	94	123	106	87	118	100	82	113	94	77	108	89	72	103	85	68	98	80	65
			Array Edge	137	127	113	134	123	107	132	119	102	129	116	97	127	112	93	125	108	89	118	100	82	113	93	76	106	87	71	100	82	66	94	77	62	89	73	59	85	69	56	80	66	53
		7.5 to 15	Array Interior	144	135	127	142	132	124	140	130	120	137	127	116	135	124	113	133	121	108	129	115	100	125	107	93	119	100	87	114	94	82	108	89	77	102	84	73	97	80	69	93	76	66
			Array Edge	135	123	111	132	119	106	130	115	101	127	111	97	124	107	93	121	102	89	115	95	83	107	88	77	100	83	72	94	78	67	89	73	63	84	69	60	80	66	57	76	62	54
15 to 30		Array Interior	143	129	114	141	124	108	137	119	103	133	114	99	130	109	95	126	104	91	117	97	84	109	90	78	102	84	73	96	79	69	91	75	65	86	70	61	82	67	58	78	64	55	
		Array Edge	129	108	94	124	102	89	119	98	85	114	93	81	109	90	78	104	86	75	97	79	69	90	74	64	84	69	60	79	65	56	75	61	53	70	58	50	67	55	47	64	52	45	
30 to 45	Array Interior	147	129	114	142	125	109	138	119	104	134	114	99	130	109	95	127	105	91	118	97	84	110	90	79	103	84	73	97	79	69	91	75	65	86	71	61	82	67	58	78	64	55		
	Array Edge	129	108	94	125	103	90	119	98	85	114	94	82	109	90	78	105	86	75	97	80	69	90	74	64	84	69	60	79	65	56	75	61	53	71	58	50	67	55	47	64	52	45		
D	0 to 7.5	Array Interior	142	133	124	140	130	119	137	128	115	135	125	110	133	121	105	131	118	101	127	112	93	122	105	86	116	98	80	111	92	75	105	87	70	100	82	66	95	78	63	90	74	60	
		Array Edge	133	120	104	130	116	98	128	113	94	125	108	89	121	104	85	118	100	82	112	92	75	105	86	70	98	81	65	92	76	61	87	71	57	82	67	54	78	64	51	74	61	48	
	7.5 to 15	Array Interior	140	130	121	138	128	117	136	125	113	133	121	109	131	118	104	129	114	100	124	106	93	118	99	86	112	93	81	106	87	76	100	82	71	94	78	67	90	74	64	85	70	61	
		Array Edge	130	117	103	128	112	98	125	107	93	121	103	89	118	98	86	114	94	82	106	87	76	99	81	71	93	76	66	87	71	62	82	67	58	78	64	55	74	60	52	70	57	50	
	15 to 30	Array Interior	138	120	105	134	115	100	130	110	95	126	105	91	122	100	87	117	96	84	108	89	78	101	83	72	94	78	67	89	73	63	84	69	60	79	65	56	75	61	53	71	58	51	
		Array Edge	120	99	86	115	94	82	110	90	78	105	86	75	100	83	72	96	79	69	89	73	64	83	68	59	78	64	55	73	60	52	69	56	49	65	53	46	61	50	44	58	48	41	
30 to 45	Array Interior	139	121	106	135	115	100	131	110	96	127	105	92	122	101	88	118	97	84	109	89	78	101	83	72	95	78	67	89	73	63	84	69	60	79	65	56	75	62	53	72	59	51		
	Array Edge	121	100	87	115	95	82	110	90	79	105	86	75	100	83	72	97	79	69	89	73	64	83	68	59	78	64	55	73	60	52	69	56	49	65	53	46	61	50	44	59	48	41		
20 psf	B	0 to 7.5	Array Interior	143	137	131	142	136	130	140	134	128	139	132	126	138	130	123	136	129	120	133	125	115	130	120	110	128	115	104	124	111	97	120	106	91	117	102	86	113	99	81	109	95	77
			Array Edge	137	130	123	136	128	119	134	125	116	132	122	113	130	119	110	129	117	106	125	111	97	120	106	90	115	101	84	111	97	79	106	91	74	102	86	70	99	82	66	95	78	63
		7.5 to 15	Array Interior	143	137	131	142	135	129	140	133	127	139	131	124	137	129	121	135	127	118	132	122	112	129	117	107	126	112	102	122	107	97	118	103	91	113	99	86	110	94	82	106	90	78
			Array Edge	137	128	120	135	126	116	133	123	113	131	120	109	129	117	106	127	113	103	122	108	97	117	102	90	112	97	85	107	91	79	103	86	75	99	81	71	94	77	67	90	73	64
		15 to 30	Array Interior	134	134	130	134	134	127	134	133	121	134	130	116	134	127	111	134	123	107	132	114	99	127	106	92	120	99	86	113	93	81	107	88	76	101	83	72	96	79	68	91	75	65
			Array Edge	134	126	110	134	120	105	133	115	100	130	110	96	127	105	92	123	101	88	114	94	81	106	87	76	99	81	71	93	76	66	88	72	63	83	68	59	79	65	56	75	61	53
	30 to 45	Array Interior	141	141	131	141	139	127	141	135	122	141	131	117	141	127	112	141	123	107	134	114	99	128	106	93	121	100	87	114	94	81	107	88	77	102	83	72	96	79	69	92	75	65	
		Array Edge	141	127	111	139	121	105	135	115	101	131	110	96	127	106	92	123	102	88	114	94	82	106	87	76	100	82	71	94	77	67	88	72	63	83	68	59	79	65	56	75	61	53	
	C	0 to 7.5	Array Interior	139	131	125	137	129	121	135	127	118	133	125	115	132	122	112	130	119	109	127	113	101	122	108	94	117	103	87	113	99	82	109	94	77	105	89	72	101	85	68	98	80	65
			Array Edge	131	121	111	129																																						

Maximum Rail Spans (Inches)			Everest Solar X80 Flush-Mount Dual Rail, Open Mono Slope Roof 0-30ft, 72 Cell(L) Rail Only																																																			
Ground Snow Load	Exposure Category	Panel Angle	Wind Speed -> Roof Zone ->	95 mph			100 mph			105 mph			110 mph			115 mph			120 mph			130mph			140 mph			150 mph			160 mph			170 mph			180 mph			190 mph			200 mph											
				1	2	3	1	2	3	1	2	3	1	2	3	1	2	3	1	2	3	1	2	3	1	2	3	1	2	3	1	2	3	1	2	3	1	2	3	1	2	3	1	2	3									
30 psf	B	0 to 7.5	Array Interior	142	136	131	141	135	129	140	133	127	138	131	125	137	129	122	135	128	120	133	124	114	130	119	109	127	114	104	123	110	97	120	106	91	116	102	86	112	98	81	109	95	77									
			Array Edge	136	129	122	135	127	118	133	124	115	131	121	112	129	119	109	128	116	106	124	110	97	119	105	90	114	100	84	110	96	79	106	91	74	102	86	70	98	82	66	95	78	63									
		7.5 to 15	Array Interior	142	136	130	141	134	128	139	132	126	138	130	123	136	128	120	135	126	117	131	121	111	128	116	106	125	111	101	121	107	97	117	103	91	113	99	86	109	94	82	105	90	78									
			Array Edge	136	128	119	134	125	115	132	122	112	130	119	109	128	116	106	126	113	103	121	107	97	116	102	90	111	97	85	107	91	79	103	86	75	99	81	71	94	77	67	90	73	64									
	C	0 to 7.5	Array Interior	120	120	120	120	120	120	120	120	118	120	120	114	120	120	111	120	118	107	120	112	99	120	106	92	117	99	86	112	93	81	107	88	76	101	83	72	96	79	68	91	75	65									
			Array Edge	120	120	110	120	117	105	120	113	100	120	109	96	120	105	92	118	101	88	112	94	81	106	87	76	99	81	71	93	76	66	88	72	63	83	68	59	79	65	56	75	61	53									
		30 to 45	Array Interior	128	128	128	128	128	127	128	128	122	128	128	117	128	127	112	128	123	107	128	114	99	128	106	93	122	100	87	114	94	82	106	87	76	100	82	71	94	77	67	88	72	63	83	68	59	79	65	56	75	61	53
			Array Edge	128	127	111	128	121	105	128	115	101	128	110	96	127	106	92	123	102	88	114	94	82	106	87	76	100	82	71	94	77	67	88	72	63	83	68	59	79	65	56	75	61	53									
	D	0 to 7.5	Array Interior	138	130	124	136	128	121	134	126	117	132	124	114	131	121	111	129	118	108	126	113	101	121	108	94	117	104	90	110	83	71	102	87	77	98	82	66	94	77	62	89	73	59	80	66	53						
			Array Edge	130	120	110	128	117	107	126	113	102	124	110	97	121	107	93	118	104	89	113	99	82	108	93	76	103	87	71	98	82	66	94	77	62	89	73	59	85	69	56	80	66	53									
		7.5 to 15	Array Interior	137	129	121	135	127	118	133	124	114	131	121	111	130	118	108	128	115	105	124	110	99	119	104	93	114	100	87	109	94	82	105	89	77	101	84	73	97	80	69	93	76	66									
			Array Edge	129	117	107	127	114	104	124	110	100	121	107	97	118	104	93	115	101	89	110	95	83	104	88	77	100	83	72	94	78	67	89	73	63	84	69	60	80	66	57	76	62	54									
E	0 to 7.5	Array Interior	120	120	112	120	120	108	120	116	103	120	112	99	120	109	95	120	104	91	115	97	84	109	90	78	102	84	73	96	79	69	91	75	65	86	70	61	82	67	58	78	64	55										
		Array Edge	120	108	94	120	102	89	116	98	85	112	93	81	109	90	78	104	86	75	97	79	69	90	74	64	84	69	60	79	65	56	75	61	53	70	58	50	67	55	47	64	52	45										
	30 to 45	Array Interior	128	128	114	128	125	109	128	119	104	128	114	99	128	109	95	127	105	91	118	97	84	110	90	79	103	84	73	97	79	69	91	75	65	86	71	61	82	67	58	78	64	55										
		Array Edge	128	108	94	125	103	90	125	103	90	119	98	85	114	94	82	109	86	75	97	80	69	90	74	64	84	69	60	79	65	56	75	61	53	71	58	50	67	55	47	64	52	45										
35 psf	B	0 to 7.5	Array Interior	136	128	119	134	125	116	132	122	112	130	119	109	128	116	105	126	113	101	121	108	93	116	102	86	112	98	80	107	92	75	103	87	70	99	82	66	95	78	63	90	74	60									
			Array Edge	128	115	104	125	112	98	122	108	94	119	105	89	116	102	85	113	99	82	108	92	75	102	86	70	98	81	65	92	76	61	87	71	57	82	67	54	78	64	51	74	61	48									
		7.5 to 15	Array Interior	135	126	116	133	123	113	131	119	109	129	116	106	127	113	103	124	110	100	119	104	93	113	99	86	108	93	81	104	87	76	100	82	71	94	78	67	90	74	64	85	70	61									
			Array Edge	126	112	102	123	108	98	119	105	93	116	102	89	113	98	86	110	94	82	104	87	76	99	81	71	93	76	66	87	71	62	82	67	58	78	64	55	74	60	52	70	57	50									
	C	0 to 7.5	Array Interior	124	119	105	124	115	100	124	110	95	123	105	91	120	100	87	116	96	84	108	89	78	101	83	72	94	78	67	89	73	63	84	69	60	79	65	56	75	61	53	71	58	51									
			Array Edge	119	99	86	115	94	82	110	90	78	105	86	75	100	83	72	96	79	69	89	73	64	83	68	59	78	64	55	73	60	52	69	56	49	65	53	46	62	50	44	58	48	41									
		15 to 30	Array Interior	132	121	106	132	115	100	131	110	96	127	105	92	122	101	88	118	97	84	109	89	78	101	83	72	95	78	67	89	73	63	84	69	60	79	65	56	75	62	53	72	59	51									
			Array Edge	121	100	87	115	95	82	110	90	79	105	86	75	101	83	72	97	79	69	89	73	64	83	68	59	78	64	55	73	60	52	69	56	49	65	53	46	62	50	44	59	48	41									
	D	0 to 7.5	Array Interior	127	116	108	125	113	104	122	110	101	120	107	97	117	105	93	115	102	89	112	100	87	105	92	76	101	87	71	96	82	66	92	77	62	89	73	59	85	69	56	80	66	53									
			Array Edge	133	126	118	132	123	115	130	120	111	128	118	108	127	115	106	125	112	103	120	107	97	115	102	93	111	98	87	107	93	82	103	89	77	99	84	73	95	80	69	92	76	66									
		7.5 to 15	Array Interior	114	114	114	114	114	114	114	114	114	114	114	112	114	114	108	114	114	105	114	110	99	114	104	92	114	99	86	110	93	81	105	88	76	101	83	72	96	79	68	91	75	65									
			Array Edge	114	114	107	114	114	104	114	111	100	114	107	96	114	104	92	114	101	88	114	104	91	104	87	76	99	81	71	93	76	66	88	72	63	83	68	59	79	65	56	75	61	53									
E	0 to 7.5	Array Interior	123	123	123	123	123	123	123	123	122	123	123	117	123	123	112	123	123	107	123	114	99	123	106	93	121	100	87	114	94	81	106	87	76	102	87	71	94	77	67	88	73	63										
		Array Edge	123	123	111	123	121	105	123	115	101	123	110	96	123	106	92	123	102	88	114	94	82	106	87	76	100	82	71	94	77	67	88	72	63	83	68	59	79	65	56	75	61	53										
	15 to 30	Array Interior	134	127	120	132	125	117	131	122	114	129	120	111	128	117	108	126	115	106	122	110	100	117	105	94	113	101	87	109	96	82	105	92	77	102	89	72	98	85	68	95	80	65										
		Array Edge	127	116	108	125	113	104	122	110	101	120	107	97	117	105	93	115	102	89	112	100	87	105	92	76	101	87	71	96	82	66	92	77	62	89	73	59	85	69	56	80	66	53										
F	0 to 7.5	Array Interior	133	126	118	132	123	115	130	120	111	128	118	108	127	115	106	125	112	103	120	107	97	115	102	93	111	98	87	107	93	82	103	89	77	99	84	73	95															

Maximum Rail Spans (Inches)			Everest Solar X80 Flush-Mount Dual Rail, Open Mono Slope Roof 0-30ft, 72 Cell(L) Rail Only																																											
Ground Snow Load	Exposure Category	Panel Angle	Wind Speed ->	95 mph			100 mph			105 mph			110 mph			115 mph			120 mph			130mph			140 mph			150 mph			160 mph			170 mph			180 mph			190 mph			200 mph			
			Roof Zone ->	1	2	3	1	2	3	1	2	3	1	2	3	1	2	3	1	2	3	1	2	3	1	2	3	1	2	3	1	2	3	1	2	3	1	2	3	1	2	3	1	2	3	
45 psf	B	0 to 7.5	Array Interior	129	126	121	129	124	118	128	122	116	127	120	114	126	118	112	125	117	110	122	113	105	119	109	101	116	106	98	113	102	94	110	99	91	107	95	86	104	92	81	101	89	77	
		Array Edge	126	118	111	124	116	109	122	113	106	120	111	104	118	108	101	117	107	99	113	102	94	109	98	90	106	94	84	102	91	79	99	87	74	95	84	70	92	81	66	89	78	63		
		7.5 to 15	Array Interior	117	117	117	117	117	117	117	117	115	117	117	113	117	117	110	117	115	108	117	111	104	117	107	99	114	104	95	111	100	91	108	96	88	105	93	85	102	90	81	99	87	78	
		Array Edge	117	117	110	117	114	107	117	112	104	117	109	101	117	107	99	115	105	96	111	100	92	107	96	87	104	92	83	100	88	79	96	84	75	93	81	71	90	77	67	87	73	64		
		15 to 30	Array Interior	105	105	105	105	105	105	105	105	105	105	105	104	105	105	101	105	105	101	105	102	96	105	101	91	105	96	86	105	92	81	101	88	76	98	83	72	94	79	68	91	75	65	
		Array Edge	105	105	103	105	105	100	105	105	97	105	105	94	105	100	91	105	98	88	105	92	81	101	87	76	105	96	81	101	92	76	98	76	66	88	72	63	83	68	59	79	65	56	75	61
	30 to 45	Array Interior	115	115	115	115	115	115	115	115	115	115	115	115	115	115	112	115	115	107	115	114	99	115	106	93	115	106	93	114	94	81	107	88	77	102	83	72	96	79	69	92	75	65		
	Array Edge	115	115	111	115	115	105	115	115	101	115	110	96	115	106	92	115	102	88	114	94	82	106	87	76	100	82	71	94	77	67	88	72	63	83	68	59	79	65	56	75	61	53			
	C	0 to 7.5	Array Interior	127	119	113	126	117	110	124	115	108	122	113	105	120	111	103	118	108	101	114	104	96	111	100	92	107	96	87	104	93	82	101	89	77	97	86	72	94	83	68	91	80	65	
		Array Edge	119	110	102	117	107	100	115	105	97	113	102	94	111	100	92	108	97	89	104	93	82	100	89	76	96	85	71	93	81	66	89	77	62	86	73	59	83	69	56	80	66	53		
		7.5 to 15	Array Interior	117	117	111	117	116	109	117	114	106	117	111	103	117	109	101	117	107	98	113	102	94	109	98	89	105	94	85	102	90	82	98	86	77	95	83	73	92	80	69	89	76	66	
		Array Edge	117	108	100	116	105	97	114	103	94	111	100	92	109	98	89	107	95	87	102	90	82	98	86	77	94	82	72	90	78	67	86	73	63	83	69	60	80	66	57	76	62	54		
15 to 30		Array Interior	105	105	105	105	105	102	105	105	99	105	105	96	105	103	93	105	100	90	105	95	84	103	90	78	99	84	73	94	79	69	90	75	65	86	70	61	82	67	58	78	64	55		
Array Edge		105	102	92	105	99	89	105	95	85	105	92	81	103	89	78	100	86	75	95	79	69	90	74	64	84	69	60	79	65	56	75	61	53	70	58	50	67	55	47	64	52	45			
30 to 45	Array Interior	115	115	114	115	115	109	115	115	104	115	114	99	115	109	95	115	105	91	115	97	81	110	90	79	103	84	73	97	79	69	91	75	65	86	71	61	82	67	58	78	64	55			
Array Edge	115	108	94	115	103	90	115	98	85	114	94	82	109	90	78	105	86	75	97	80	69	90	74	64	84	69	60	79	65	56	75	61	53	71	58	50	67	55	47	64	52	45				
D	0 to 7.5	Array Interior	128	119	112	126	117	109	124	114	106	122	111	103	120	109	101	118	107	98	113	102	93	109	97	86	105	93	80	102	89	75	98	86	70	94	82	66	91	78	63	88	74	60		
	Array Edge	119	108	100	117	105	97	114	102	94	111	100	89	109	97	85	107	94	82	102	90	75	97	85	70	93	81	65	89	76	61	86	71	57	82	67	54	78	64	51	74	61	48			
	7.5 to 15	Array Interior	127	118	110	126	115	107	123	112	104	121	109	101	118	107	98	116	104	95	112	99	76	107	95	86	103	90	81	99	86	76	95	82	71	92	78	67	88	74	64	85	70	61		
	Array Edge	118	106	97	115	103	94	112	100	91	109	97	88	107	94	85	104	92	82	99	87	76	95	81	71	90	76	66	86	71	62	82	67	58	78	64	55	74	60	52	70	57	50			
	15 to 30	Array Interior	110	110	102	110	108	98	110	105	95	110	102	91	110	99	87	110	96	84	104	89	78	99	83	72	94	78	67	89	73	63	84	69	60	79	65	56	75	61	53	71	58	51		
	Array Edge	110	98	86	108	94	82	105	90	78	102	86	75	99	83	72	96	79	69	89	73	64	83	68	59	78	64	55	73	60	52	69	56	49	65	53	46	61	50	44	58	48	41			
30 to 45	Array Interior	119	119	106	119	115	100	119	110	96	119	105	92	119	105	92	118	97	84	109	87	74	101	83	72	95	78	67	89	73	64	83	68	59	78	64	55	73	60	52	69	56	49			
Array Edge	119	100	87	115	95	82	110	90	79	105	86	75	101	83	72	97	79	69	89	73	64	83	68	59	78	64	55	73	60	52	69	56	49	65	53	46	61	50	44	59	48	41				
50 psf	B	0 to 7.5	Array Interior	125	122	117	125	120	115	125	118	113	124	117	111	122	115	107	121	113	107	119	110	103	115	106	99	112	103	96	110	100	92	107	97	89	104	94	86	101	91	81	99	88	77	
		Array Edge	122	114	108	120	112	106	118	110	104	117	108	101	115	106	99	113	104	97	110	100	92	106	96	88	103	93	84	100	89	79	97	86	74	94	83	70	91	80	66	88	77	63		
		7.5 to 15	Array Interior	114	114	114	114	114	114	114	114	112	114	114	110	114	114	108	114	112	105	114	109	101	114	105	97	111	101	93	108	98	90	105	95	86	102	91	83	99	88	80	97	85	77	
		Array Edge	114	114	107	114	111	104	114	109	102	114	107	99	114	105	97	112	102	95	109	98	90	105	94	86	101	90	82	98	87	78	95	83	75	91	80	71	88	77	67	85	73	64		
		15 to 30	Array Interior	102	102	102	102	102	102	102	102	102	102	102	102	102	102	102	102	102	100	102	102	95	102	99	90	102	95	86	102	91	81	100	87	76	96	83	72	93	79	68	90	75	65	
		Array Edge	102	102	102	102	102	98	102	102	95	102	101	93	102	99	90	102	96	87	102	91	81	99	86	76	95	81	71	91	76	66	87	72	63	83	68	59	79	65	56	75	61	53		
	30 to 45	Array Interior	112	112	112	112	112	112	112	112	112	112	112	112	112	112	112	112	112	107	112	112	107	112	112	107	112	106	93	112	94	81	107	88	77	102	83	72	96	79	69	92	75	65		
	Array Edge	112	112	111	112	112	105	112	112	101	112	110	96	112	106	92	112	102	88	112	102	88	112	104	82	106	87	76	100	82	71	94	77	67	88	72	63	83	68	59	79	65	56	75	61	53
	C	0 to 7.5	Array Interior	123	116	110	121	114	107	120	112	105	118	110	103	116	108	101	115	106	99	111	102	94	108	98	90	105	94	87	102	91	82	98	88	77	95	84	72	93	82	68	90	79	65	
		Array Edge	116	107	100	114	105	97	112	102	95	110	100	92	108	98	90	106	95																											



Maximum Rail Spans (Inches)			Everest Solar X80 Flush-Mount Dual Rail, Open Mono Slope Roof 0-30ft, 72 Cell(L) Rail Only																																												
Ground Snow Load	Exposure Category	Panel Angle	Wind Speed ->			95 mph			100 mph			105 mph			110 mph			115 mph			120 mph			130mph			140 mph			150 mph			160 mph			170 mph			180 mph			190 mph			200 mph		
			Roof Zone ->	1	2	3	1	2	3	1	2	3	1	2	3	1	2	3	1	2	3	1	2	3	1	2	3	1	2	3	1	2	3	1	2	3	1	2	3	1	2	3	1	2	3		
100 psf	B	0 to 7.5	Array Interior	90	90	90	90	90	90	90	90	90	90	90	89	90	90	88	90	90	87	90	89	85	90	87	83	90	85	81	88	83	79	87	81	76	85	79	74	84	78	72	82	76	71		
			Array Edge	90	90	88	90	90	86	90	89	85	90	88	84	90	87	83	90	85	81	89	83	79	87	81	76	85	79	74	83	77	71	81	74	69	79	72	67	78	70	65	76	68	63		
		7.5 to 15	Array Interior	92	92	92	92	92	92	92	92	90	92	92	89	92	92	88	92	91	87	92	89	85	92	87	82	90	85	80	89	83	78	87	81	75	85	79	73	84	77	71	82	75	69		
			Array Edge	92	91	88	92	90	86	92	89	85	92	88	83	92	86	82	91	85	81	89	83	78	87	80	75	85	78	72	83	75	70	81	73	67	79	71	65	77	69	63	75	67	61		
		15 to 30	Array Interior	83	83	83	83	83	83	83	83	83	83	83	83	83	83	83	83	83	83	83	83	83	83	83	80	83	83	77	83	80	74	83	78	71	83	75	69	82	73	66	79	70	64		
			Array Edge	83	83	83	83	83	83	83	83	83	83	83	81	83	83	80	83	83	78	83	83	78	83	80	74	83	77	71	83	74	68	80	71	65	78	68	62	75	66	59	73	63	56	70	61
		30 to 45	Array Interior	91	91	91	91	91	91	91	91	91	91	91	91	91	91	91	91	91	91	91	91	91	91	91	91	91	91	87	91	91	81	91	88	77	91	83	72	91	79	69	91	75	65		
			Array Edge	91	91	91	91	91	91	91	91	91	91	91	91	91	91	91	91	91	88	91	91	82	91	87	76	91	82	71	91	77	67	88	72	63	83	68	59	79	65	56	75	61	53		
	C	0 to 7.5	Array Interior	90	90	89	90	90	87	90	90	86	90	89	85	90	87	84	90	86	82	89	84	80	88	82	77	86	80	75	84	78	73	82	76	70	80	74	68	79	72	66	77	70	64		
			Array Edge	90	87	83	90	86	82	90	84	80	89	83	79	87	82	77	86	80	76	84	78	73	82	75	70	80	73	67	78	70	65	76	68	62	74	66	59	72	64	56	70	62	53		
		7.5 to 15	Array Interior	92	92	89	92	91	87	92	90	86	92	89	85	92	87	83	92	86	82	90	84	79	88	81	76	86	79	74	84	77	71	82	74	69	80	72	67	78	70	64	76	68	62		
			Array Edge	92	87	83	91	86	81	90	84	79	89	83	78	87	81	76	86	80	75	84	77	71	81	74	68	79	71	66	77	69	63	74	66	61	72	64	58	70	62	56	68	60	54		
		15 to 30	Array Interior	83	83	83	83	83	83	83	83	83	83	83	83	83	83	81	83	83	79	83	82	76	83	79	72	83	76	69	82	73	66	79	70	63	77	67	61	74	65	58	72	63	55		
			Array Edge	83	83	81	83	83	78	83	82	76	83	80	74	83	78	72	83	77	70	82	73	66	79	70	63	76	66	60	73	64	56	70	61	53	67	58	50	65	55	47	63	52	45		
		30 to 45	Array Interior	91	91	91	91	91	91	91	91	91	91	91	91	91	91	91	91	91	91	91	91	84	91	90	79	91	84	73	91	79	69	91	75	65	86	71	61	82	67	58	78	64	55		
			Array Edge	91	91	91	91	91	90	91	91	85	91	91	82	91	90	78	91	86	75	91	80	69	90	74	64	84	69	60	79	65	56	75	61	53	71	58	50	67	55	47	64	52	45		
	D	0 to 7.5	Array Interior	95	94	90	95	92	88	95	91	87	95	90	85	94	88	84	93	87	82	91	85	79	89	82	77	87	79	74	84	77	71	82	75	69	80	72	66	78	70	63	76	68	60		
			Array Edge	94	88	83	92	87	82	91	85	80	90	83	78	88	82	76	87	80	75	85	77	71	82	74	68	79	71	65	77	69	61	75	66	57	72	64	54	70	61	51	68	59	48		
		7.5 to 15	Array Interior	97	94	90	97	92	88	97	91	86	95	90	85	94	88	83	93	87	81	91	84	78	88	81	75	86	78	72	84	75	69	81	73	67	79	71	64	77	68	62	75	66	60		
			Array Edge	94	88	82	92	86	80	91	84	79	90	82	77	88	81	75	87	79	73	84	76	70	81	73	66	78	70	63	75	67	61	73	64	58	71	62	55	68	59	52	66	57	50		
		15 to 30	Array Interior	86	86	86	86	86	86	86	86	83	86	86	81	86	86	79	86	84	77	86	80	73	86	77	70	83	73	66	80	70	63	77	67	60	74	65	56	72	61	53	69	58	51		
			Array Edge	86	85	79	86	83	76	86	81	74	86	78	72	86	76	69	84	74	67	80	70	64	77	67	59	73	64	55	70	60	52	67	56	49	65	53	46	61	50	44	58	48	41		
		30 to 45	Array Interior	94	94	94	94	94	94	94	94	94	94	94	92	94	94	88	94	94	84	94	89	78	94	83	72	94	78	67	89	73	63	84	69	60	79	65	56	75	62	53	72	59	51		
			Array Edge	94	94	87	94	94	82	94	90	79	94	86	75	94	83	72	94	79	69	89	73	64	83	68	59	78	64	55	73	60	52	69	56	49	65	53	46	62	50	44	59	48	41		

Maximum Rail Spans (Inches)			Everest Solar X80 Flush-Mount Dual Rail, Open Mono Slope Roof 0-30ft, 72 Cell(P) Rail Only																																										
Ground Snow Load	Exposure Category	Panel Angle	Wind Speed ->	95 mph		100 mph		105 mph		110 mph		115 mph		120 mph		130mph		140 mph		150 mph		160 mph		170 mph		180 mph		190 mph		200 mph															
			Roof Zone ->	1	2	3	1	2	3	1	2	3	1	2	3	1	2	3	1	2	3	1	2	3	1	2	3	1	2	3	1	2	3	1	2	3									
0 psf	B	0 to 7.5	Array Interior	144	131	118	142	127	113	138	123	108	135	118	103	132	114	98	129	109	94	122	102	86	114	95	80	107	89	75	101	84	70	96	79	65	91	75	62	87	72	58	83	68	55
		Array Edge	131	112	97	127	107	92	123	103	87	118	99	83	114	95	80	109	91	76	102	85	70	95	79	65	89	74	60	84	69	57	79	65	53	75	62	50	72	59	47	68	56	45	
		7.5 to 15	Array Interior	142	127	113	138	122	108	134	117	103	131	112	99	128	108	95	124	104	91	116	97	85	109	90	79	102	85	74	96	80	69	91	75	66	86	71	62	82	68	59	78	64	56
		Array Edge	127	107	94	122	102	89	117	98	85	112	94	82	108	90	78	104	86	75	97	80	70	90	75	65	85	70	61	80	66	57	75	62	54	71	59	51	68	56	48	64	53	46	
	15 to 30	Array Interior	129	109	96	125	104	91	120	100	87	115	96	84	110	92	80	106	88	77	99	82	71	92	76	66	86	71	62	81	67	58	77	63	55	73	60	52	69	57	49	66	54	47	
	Array Edge	109	91	79	104	86	75	100	83	72	96	79	69	92	76	66	88	73	63	82	67	59	76	63	54	71	59	51	67	55	48	63	52	45	60	49	42	57	46	40	54	44	38		
	30 to 45	Array Interior	130	110	97	126	105	92	121	101	88	116	96	84	112	92	81	107	89	77	100	82	72	93	77	67	87	72	62	82	67	58	77	63	55	73	60	52	69	57	49	66	54	47	
	Array Edge	110	91	80	105	87	76	101	83	72	96	79	69	92	76	66	89	73	63	82	68	59	77	63	55	72	59	51	67	55	48	63	52	45	60	49	42	57	46	40	54	44	38		
	C	0 to 7.5	Array Interior	133	116	101	130	111	95	126	106	91	122	102	86	117	98	82	113	94	79	105	87	73	98	81	67	92	76	63	87	72	59	82	68	55	78	64	52	74	61	49	70	58	47
		Array Edge	116	97	81	111	92	77	106	88	73	102	84	70	98	81	67	94	78	64	87	72	59	81	67	55	76	63	51	72	59	48	68	56	45	64	53	42	61	50	40	58	47	38	
		7.5 to 15	Array Interior	129	110	97	126	105	92	121	101	88	116	97	84	111	93	81	107	89	78	100	83	72	93	77	67	87	72	63	82	68	59	78	64	56	74	61	53	70	57	50	67	55	47
		Array Edge	110	92	80	105	87	76	101	84	73	97	80	70	93	77	67	89	74	64	83	68	59	77	63	55	72	59	52	68	56	48	64	53	46	61	50	43	57	47	41	55	45	39	
15 to 30	Array Interior	113	94	82	108	89	78	103	85	74	99	82	71	95	78	68	91	75	65	84	70	61	79	65	56	74	61	53	69	57	49	65	54	46	62	51	44	59	48	42	56	46	40		
Array Edge	94	77	67	89	74	64	85	70	61	82	67	58	78	64	56	75	62	54	70	57	50	65	53	46	61	50	43	57	47	40	54	44	38	51	41	36	48	39	34	46	37	32			
30 to 45	Array Interior	114	94	82	109	90	78	104	86	75	99	82	71	95	79	68	92	75	66	85	70	61	79	65	56	74	61	53	70	57	49	66	54	47	62	51	44	59	48	42	56	46	40		
Array Edge	94	78	68	90	74	64	86	71	61	82	67	59	79	65	56	75	62	54	70	57	50	65	53	46	61	50	43	57	47	40	54	44	38	51	41	36	48	39	34	46	37	32			
D	0 to 7.5	Array Interior	127	108	92	123	103	87	118	98	83	113	94	79	109	90	76	105	87	72	97	81	67	91	75	62	85	70	57	80	66	54	76	62	51	72	59	48	68	56	45	65	53	43	
	Array Edge	108	89	75	103	85	71	98	81	67	94	78	64	90	75	61	87	72	59	81	66	54	75	62	50	70	58	47	66	54	44	62	51	41	59	48	39	56	46	37	53	44	35		
	7.5 to 15	Array Interior	122	102	90	117	98	85	112	93	82	107	89	78	103	86	75	99	82	72	92	76	67	86	71	62	81	67	58	76	63	54	72	59	51	68	56	48	64	53	46	61	50	44	
	Array Edge	102	85	74	98	81	70	93	77	67	89	74	64	86	71	62	82	68	59	76	63	55	71	58	51	67	55	47	63	51	45	59	48	42	56	46	40	53	43	38	50	41	36		
15 to 30	Array Interior	104	87	76	100	83	72	95	79	69	91	75	66	88	72	63	84	69	60	78	64	56	73	60	52	68	56	48	64	52	45	60	49	43	57	47	40	54	44	38	51	42	36		
Array Edge	87	71	62	83	68	59	79	65	56	75	62	54	72	59	52	69	57	49	64	53	46	60	49	42	56	46	40	52	43	37	49	40	35	47	38	33	44	36	31	42	34	30			
30 to 45	Array Interior	105	87	76	100	83	72	96	79	69	92	76	66	88	73	63	85	70	60	78	64	56	73	60	52	68	56	48	64	52	45	60	49	43	57	47	40	54	44	38	51	42	36		
Array Edge	87	72	62	83	68	59	79	65	56	76	62	54	73	59	52	70	57	49	64	53	46	60	49	42	56	46	40	52	43	37	49	40	35	47	38	33	44	36	31	42	34	30			
5 psf	B	0 to 7.5	Array Interior	140	130	118	138	127	113	136	123	108	133	114	103	131	114	98	129	109	94	122	102	86	114	95	80	107	89	75	101	84	70	96	79	65	91	75	62	87	72	58	83	68	55
		Array Edge	130	112	97	127	107	92	123	103	87	118	99	83	114	95	80	109	91	76	102	85	70	95	79	65	89	74	60	84	69	57	79	65	53	75	62	50	72	59	47	68	56	45	
		7.5 to 15	Array Interior	139	127	113	136	122	108	133	117	103	131	112	99	128	108	95	124	104	91	116	97	85	109	90	79	102	85	74	96	80	69	91	75	66	86	71	62	82	68	59	78	64	56
		Array Edge	127	107	94	122	102	89	117	98	85	112	94	82	108	90	78	104	86	75	97	80	70	90	75	65	85	70	61	80	66	57	75	62	54	71	59	51	68	56	48	64	53	46	
	15 to 30	Array Interior	129	109	96	125	104	91	120	100	87	115	96	84	110	92	80	106	88	77	99	82	71	92	76	66	86	71	62	81	67	58	77	63	55	73	60	52	69	57	49	66	54	47	
	Array Edge	109	91	79	104	86	75	100	83	72	96	79	69	92	76	66	88	73	63	82	67	59	76	63	54	71	59	51	67	55	48	63	52	45	60	49	42	57	46	40	54	44	38		
	30 to 45	Array Interior	130	110	97	126	105	92	121	101	88	116	96	84	112	92	81	107	89	77	100	82	72	93	77	67	87	72	62	82	67	58	77	63	55	73	60	52	69	57	49	66	54	47	
	Array Edge	110	91	80	105	87	76	101	83	72	96	79	69	92	76	66	89	73	63	82	68	59	77	63	55	72	59	51	67	55	48	63	52	45	60	49	42	57	46	40	54	44	38		
	C	0 to 7.5	Array Interior	132	116	101	129	111	95	126	106	91	122	102	86	117	98	82	113	94	79	105	87	73	98	81	67	92	76	63	87	72	59	82	68	55	78	64	52	74	61	49	70	58	47
		Array Edge	116	97	81	111	92	77	106	88	73	102	84	70	98	81	67	94	78	64	87	72	59	81	67	55	76	63	51	72	59	48	68	56	45	64	53	42	61	50	40	58	47	38	
		7.5 to 15	Array Interior	129	110	97	126	105	92	121	101	88	116	97	84	111	93	81	107	89	78	100	83	72	93	77	67	87	72	63	82	68	59	78	64	56	74	61	53	70	57</				

Maximum Rail Spans (Inches)				Everest Solar X80 Flush-Mount Dual Rail, Open Mono Slope Roof 0-30ft, 72 Cell(P) Rail Only																																															
Ground Snow Load	Exposure Category	Panel Angle	Wind Speed ->	95 mph			100 mph			105 mph			110 mph			115 mph			120 mph			130mph			140 mph			150 mph			160 mph			170 mph			180 mph			190 mph			200 mph								
			Roof Zone ->	1	2	3	1	2	3	1	2	3	1	2	3	1	2	3	1	2	3	1	2	3	1	2	3	1	2	3	1	2	3	1	2	3	1	2	3	1	2	3	1	2	3						
15 psf	B	0 to 7.5	Array Interior	119	111	104	118	108	101	116	106	98	113	104	96	111	101	93	109	99	91	105	95	86	102	90	80	98	87	75	94	83	70	91	79	65	88	75	62	85	72	58	82	68	55						
			Array Edge	111	101	93	108	98	90	106	95	87	104	93	83	101	90	80	99	88	76	95	83	70	90	79	65	87	74	60	83	69	57	79	65	53	75	62	50	72	59	47	68	56	45						
		7.5 to 15	Array Interior	119	109	102	117	107	99	114	104	96	112	102	93	110	99	91	108	97	88	104	92	84	99	88	79	96	84	74	92	80	69	88	75	66	85	71	62	82	68	59	78	64	56						
			Array Edge	109	98	90	107	96	87	104	93	84	102	90	82	99	88	78	97	85	75	92	80	70	87	75	65	84	70	61	80	66	57	75	62	54	71	59	51	68	56	48	64	53	46						
		15 to 30	Array Interior	115	109	96	115	104	91	115	100	87	113	96	84	110	92	80	106	88	77	99	82	71	92	76	66	86	71	62	81	67	58	77	63	55	73	60	52	69	57	49	66	54	47						
			Array Edge	109	91	79	104	86	75	100	83	72	96	79	69	92	76	66	88	73	63	82	67	59	76	63	54	71	59	51	67	55	48	63	52	45	60	49	42	57	46	40	54	44	38						
	30 to 45	Array Interior	118	110	97	118	105	92	118	101	88	116	96	84	112	92	81	107	89	77	100	82	72	93	77	67	87	72	62	82	67	58	77	63	55	73	60	52	69	57	49	66	54	47							
		Array Edge	110	91	80	105	87	76	101	83	72	96	79	69	92	76	66	89	73	63	82	68	59	77	63	55	72	59	51	67	55	48	63	52	45	60	49	42	57	46	40	54	44	38							
	C	0 to 7.5	Array Interior	112	102	95	110	100	92	108	97	89	105	95	86	103	92	82	101	90	79	96	85	73	92	81	67	85	72	59	81	67	55	76	63	51	72	59	48	68	56	45	64	53	42	61	50	40	58	47	38
			Array Edge	102	91	81	100	89	77	97	86	73	95	83	70	92	81	67	90	78	64	85	72	59	81	67	55	76	63	51	72	59	48	68	56	45	64	53	42	61	50	40	58	47	38						
		7.5 to 15	Array Interior	111	100	92	108	97	89	106	95	86	103	92	84	101	89	81	99	87	78	94	82	72	90	77	67	86	72	63	82	68	59	78	64	56	74	61	53	70	57	50	67	55	47						
			Array Edge	100	89	80	97	86	76	95	83	73	92	80	70	89	77	67	87	74	64	82	68	59	77	63	55	72	59	52	68	56	48	64	53	46	61	50	43	57	47	41	55	45	39						
15 to 30		Array Interior	111	94	82	108	89	78	103	85	74	99	82	71	95	78	68	91	75	65	84	70	61	79	65	56	74	61	53	69	57	49	65	54	46	62	51	44	59	48	42	56	46	40							
		Array Edge	94	77	67	89	74	64	85	70	61	82	67	58	78	64	56	75	62	54	70	57	50	65	53	46	61	50	43	57	47	40	54	44	38	51	41	36	48	39	34	46	37	32							
30 to 45	Array Interior	114	94	82	109	90	78	104	86	75	99	82	71	95	79	68	92	75	66	85	70	61	79	65	56	74	61	53	70	57	49	66	54	47	62	51	44	59	48	42	56	46	40								
	Array Edge	94	78	68	90	74	64	86	71	61	82	67	59	79	65	56	75	62	54	70	57	50	65	53	46	61	50	43	57	47	40	54	44	38	51	41	36	48	39	34	46	37	32								
D	0 to 7.5	Array Interior	108	98	90	106	95	87	103	92	83	101	90	79	99	87	76	96	85	76	92	80	72	88	76	67	84	72	63	80	66	54	76	62	51	72	59	48	68	56	45	65	53	43							
		Array Edge	98	87	75	95	84	71	92	81	67	90	78	64	87	75	61	85	72	59	80	66	54	75	62	50	70	58	47	66	54	44	62	51	41	59	48	39	56	46	37	53	44	35							
	7.5 to 15	Array Interior	107	96	87	104	93	84	101	90	82	99	87	78	96	85	75	94	82	72	89	76	67	85	71	62	81	67	58	76	63	54	72	59	51	68	56	48	64	53	46	61	50	44							
		Array Edge	96	84	74	93	81	70	90	77	67	87	74	64	85	71	62	82	68	59	76	63	55	71	58	51	67	55	47	63	51	45	59	48	42	56	46	40	53	43	38	50	41	36							
	15 to 30	Array Interior	104	87	76	100	83	72	95	79	69	91	75	66	88	72	63	84	69	60	78	64	56	73	60	52	68	56	48	64	52	45	60	49	43	57	47	40	54	44	38	51	42	36							
		Array Edge	87	71	62	83	68	59	79	65	56	75	62	54	72	59	52	69	57	49	64	53	46	60	49	42	56	46	40	52	43	37	49	40	35	47	38	33	44	36	31	42	34	30							
30 to 45	Array Interior	105	87	76	100	83	72	96	79	69	92	76	66	88	73	63	85	70	60	78	64	56	73	60	52	68	56	48	64	52	45	60	49	43	57	47	40	54	44	38	51	42	36								
	Array Edge	87	72	62	83	68	59	79	65	56	76	62	54	73	59	52	70	57	49	64	53	46	60	49	42	56	46	40	52	43	37	49	40	35	47	38	33	44	36	31	42	34	30								
20 psf	B	0 to 7.5	Array Interior	110	103	97	109	101	95	107	99	93	105	97	91	103	95	89	102	93	87	99	90	83	96	86	79	93	83	75	90	80	70	87	77	65	84	74	62	81	71	58	79	68	55						
			Array Edge	103	95	88	101	93	86	99	90	83	97	88	81	95	86	79	93	84	76	90	80	70	86	76	65	83	73	60	80	69	57	77	65	53	74	62	50	71	59	47	68	56	45						
		7.5 to 15	Array Interior	110	102	96	108	100	94	107	98	91	105	96	89	103	94	87	101	92	85	98	88	81	94	84	77	91	81	73	88	77	69	85	74	66	82	71	62	79	68	59	76	64	56						
			Array Edge	102	93	86	100	91	84	98	88	81	96	86	79	94	84	76	92	82	74	88	78	70	84	74	65	81	71	62	77	66	57	74	62	54	71	59	51	68	56	48	64	53	46						
		15 to 30	Array Interior	108	105	95	108	101	91	108	98	87	108	95	84	106	92	80	103	88	77	98	82	71	92	76	66	86	71	62	81	67	58	77	63	55	73	60	52	69	57	49	66	54	47						
			Array Edge	105	91	79	101	86	75	98	83	72	95	79	69	92	76	66	88	73	63	82	67	59	76	63	54	71	59	51	67	55	48	63	52	45	60	49	42	57	46	40	54	44	38						
	30 to 45	Array Interior	113	110	97	113	105	92	113	101	88	113	96	84	112	92	81	107	89	77	100	82	72	93	77	67	87	72	62	82	67	58	77	63	55	73	60	52	69	57	49	66	54	47							
		Array Edge	110	91	80	105	87	76	101	83	72	96	79	69	92	76	66	89	73	63	82	68	59	77	63	55	72	59	51	67	55	48	63	52	45	60	49	42	57	46	40	54	44	38							
	C	0 to 7.5	Array Interior	105	96	90	103	94	87	102	92	85	99	90	83	97	88	81	95	86	78	91	82	73	88	78	67	85	74	63	81	71	59	78	68	55	75	64	52	73	61	49	70	58	47						
			Array Edge	96	87	80	94	85	77	92	82	73	90	80	70	88	78	67	86	75	64	82	71	59	78	67	55	74	63	51	71	59	48	68	56	45	64	53	42	61	50	40	58	47	38						
		7.5 to 15	Array Interior	104	95	88	102	92	85	100	90	83	98	88	80	95	86	78	93	83	76	90	79	72	86	75	67	82	72	63	79	68	59																		

Maximum Rail Spans (Inches)				Everest Solar X80 Flush-Mount Dual Rail, Open Mono Slope Roof 0-30ft, 72 Cell(P) Rail Only																																												
Ground Snow Load	Exposure Category	Panel Angle	Wind Speed ->	95 mph			100 mph			105 mph			110 mph			115 mph			120 mph			130mph			140 mph			150 mph			160 mph			170 mph			180 mph			190 mph			200 mph					
			Roof Zone ->	1	2	3	1	2	3	1	2	3	1	2	3	1	2	3	1	2	3	1	2	3	1	2	3	1	2	3	1	2	3	1	2	3	1	2	3	1	2	3	1	2	3			
30 psf	B	0 to 7.5	Array Interior	108	102	97	107	100	94	106	98	92	104	96	90	103	95	88	101	93	86	98	89	82	95	86	79	92	82	75	89	79	70	86	76	65	83	73	62	81	71	58	78	68	55			
			Array Edge	102	94	88	100	92	85	98	90	83	96	87	80	95	85	78	93	83	76	89	79	70	86	76	65	82	72	60	79	69	57	76	65	53	73	62	50	71	59	47	68	56	45			
		7.5 to 15	Array Interior	109	101	95	107	99	93	105	97	91	104	95	88	102	93	86	100	91	84	97	87	80	93	84	76	87	77	69	84	74	66	81	71	62	78	68	59	76	64	56	76	64	56			
			Array Edge	101	93	86	99	90	83	97	88	81	95	85	78	93	83	76	91	81	74	87	77	70	84	73	65	80	70	61	77	66	57	74	62	54	71	59	51	68	56	48	64	53	46			
	15 to 30	Array Interior	96	96	90	96	95	87	96	93	85	96	90	82	96	88	80	96	85	77	92	81	71	88	76	66	84	71	62	80	67	58	77	63	55	73	60	52	69	57	49	66	54	47				
		Array Edge	96	87	79	95	84	75	93	81	72	90	79	69	88	76	66	85	73	63	81	67	59	76	63	54	71	59	51	67	55	48	63	52	45	60	49	42	57	46	40	54	44	38				
	30 to 45	Array Interior	103	103	97	103	103	92	103	101	88	103	96	84	103	92	81	103	89	77	100	82	72	93	77	67	87	72	62	82	67	58	77	63	55	73	60	52	69	57	49	66	54	47				
		Array Edge	103	91	80	103	87	76	101	83	72	96	79	69	92	76	66	89	73	63	82	68	59	77	63	55	72	59	51	67	55	48	63	52	45	60	49	42	57	46	40	54	44	38				
	C	0 to 7.5	Array Interior	103	96	89	102	93	87	100	91	84	98	89	82	96	87	80	94	85	78	87	77	67	84	74	63	81	71	59	78	68	55	75	64	52	72	61	49	70	58	47	67	55	47			
			Array Edge	96	86	79	93	84	77	91	82	73	89	79	70	87	77	67	85	75	64	81	71	59	77	67	55	74	63	51	71	59	48	68	56	45	64	53	42	61	50	40	58	47	38			
		7.5 to 15	Array Interior	103	94	87	101	92	85	99	89	82	97	87	80	95	85	78	93	83	76	89	79	72	85	75	67	81	71	59	76	64	56	73	61	53	70	57	50	67	55	47	64	52	45			
			Array Edge	94	84	77	92	82	75	89	79	72	87	77	70	85	75	67	83	73	64	79	68	59	75	63	55	72	59	52	68	56	48	64	53	46	61	50	43	57	47	41	55	45	39			
15 to 30	Array Interior	96	89	81	96	86	78	95	83	74	92	81	71	89	78	68	87	75	65	83	70	61	78	65	56	83	70	61	78	65	56	74	61	53	69	57	49	65	54	46	62	51	44	59	48	42		
	Array Edge	89	77	67	86	74	64	83	70	61	81	67	58	78	64	56	75	62	54	70	57	50	65	53	46	61	50	43	57	47	40	54	44	38	51	41	36	48	39	34	46	37	32					
30 to 45	Array Interior	103	94	82	103	90	78	103	86	75	99	82	71	95	79	68	92	75	66	85	70	61	79	65	56	84	70	61	79	65	56	74	61	53	70	57	49	66	54	47	62	51	44	59	48	42		
	Array Edge	94	78	68	90	74	64	86	71	61	82	67	59	79	65	56	75	62	54	70	57	50	65	53	46	61	50	43	57	47	40	54	44	38	51	41	36	48	39	34	46	37	32					
D	0 to 7.5	Array Interior	101	93	86	99	90	83	97	88	81	95	86	79	93	83	76	91	81	72	87	77	67	84	74	62	80	70	57	77	66	54	74	62	51	71	59	48	68	56	45	65	53	43				
		Array Edge	93	83	75	90	80	71	88	78	67	86	76	64	83	73	61	81	71	59	77	66	54	74	62	50	74	62	50	66	54	44	62	51	41	59	48	39	56	46	37	53	44	35				
	7.5 to 15	Array Interior	100	91	84	98	88	81	96	86	79	94	84	74	91	81	74	89	79	72	85	75	67	82	71	62	78	67	58	75	63	54	72	59	51	68	56	48	64	53	46	61	50	44	57	47	41	
		Array Edge	91	81	73	88	78	70	86	76	67	84	73	64	81	71	62	78	68	59	75	63	55	71	58	51	67	55	47	63	51	45	59	48	42	56	46	40	53	43	38	50	41	36				
15 to 30	Array Interior	97	85	76	94	82	72	91	79	69	89	75	66	86	72	63	84	69	60	78	64	56	73	60	52	68	56	48	64	52	45	60	49	43	57	47	40	54	44	38	51	42	36	47	41	35		
	Array Edge	85	71	62	82	68	59	79	65	56	75	62	54	72	59	52	69	57	49	64	53	46	60	49	42	56	46	40	52	43	37	49	40	35	47	38	33	44	36	31	42	34	30					
30 to 45	Array Interior	105	87	76	100	83	72	96	79	69	92	76	66	88	73	63	85	70	60	78	64	56	73	60	52	68	56	48	64	52	45	60	49	43	57	47	40	54	44	38	51	42	36	47	41	35		
	Array Edge	87	72	62	83	68	59	79	65	56	76	62	54	73	59	52	69	57	49	64	53	46	60	49	42	56	46	40	52	43	37	49	40	35	47	38	33	44	36	31	42	34	30					
35 psf	B	0 to 7.5	Array Interior	103	98	93	103	96	91	101	94	89	100	93	87	98	91	85	97	89	83	94	86	80	91	83	77	86	77	70	83	74	65	80	71	60	77	68	57	74	65	53	72	62	50	69	59	47
			Array Edge	98	91	85	96	89	83	94	87	80	93	85	78	91	83	76	89	81	74	86	77	70	83	74	65	80	71	60	77	68	57	74	65	53	72	62	50	69	59	47	67	56	45			
		7.5 to 15	Array Interior	104	97	92	103	96	90	101	94	88	99	92	86	98	90	84	96	88	82	93	85	78	90	81	75	87	78	71	84	75	68	82	72	65	79	69	62	77	67	59	74	64	56	74	64	56
			Array Edge	97	89	83	96	87	81	94	85	79	92	83	76	90	81	74	88	79	72	85	75	68	81	72	65	78	69	61	75	65	57	72	62	54	69	59	51	67	56	48	64	53	46			
	15 to 30	Array Interior	92	92	88	92	92	85	92	90	83	92	88	80	92	85	78	92	83	76	90	79	71	86	75	66	82	71	62	79	67	58	76	63	55	73	60	52	69	57	49	66	54	47				
		Array Edge	92	85	77	92	82	75	90	80	72	88	77	69	85	75	66	83	73	63	79	67	59	75	63	54	71	59	51	67	55	48	63	52	45	60	49	42	57	46	40	54	44	38				
	30 to 45	Array Interior	99	99	97	99	99	92	99	99	88	99	96	84	99	92	81	99	89	77	99	82	72	93	77	67	87	72	62	82	67	58	77	63	55	73	60	52	69	57	49	66	54	47				
		Array Edge	99	91	80	99	87	76	99	83	72	96	79	69	92	76	66	89	73	63	82	68	59	77	63	55	72	59	51	67	55	48	63	52	45	60	49	42	57	46	40	54	44	38				
	C	0 to 7.5	Array Interior	99	92	86	97	90	84	96	88	82	94	86	80	92	84	78	91	82	76	88	79	72	84	75	67	81	72	63	79	69	59	76	67	55	73	64	52	71	61	49	68	58	47			
			Array Edge	92	84	77	90	81	75	88	79	73	86	77	70	84	75	67	82	73	64	79	70	59	75	66	55	72	63	51	69	59	48	67	56	45	64	53	42	61	50	40	58	47	38			
		7.5 to 15	Array Interior	99	91	85	97	89	82	95	87	80	93	85	78	91	83	76	90	81	74	86	77	70	83	73	67	80	70	63	77	67	59	74	64	56	71	61	53	69	57	50	66	55	47			
			Array Edge	91	82	75	89	80	73	87	77	71	85	75	68	83	73	66	81	71	64	77	67	59	73	63	55	70	59	52	67	56	48	64	53	46	61	50	43	57	47	41	55	45	39			
15 to 30	Array Interior	92	87	79	92	84	76	92	81																																							



Maximum Rail Spans (Inches)			Everest Solar X80 Flush-Mount Dual Rail, Open Mono Slope Roof 0-30ft, 72 Cell(P) Rail Only																																												
Ground Snow Load	Exposure Category	Panel Angle	Wind Speed ->	95 mph		100 mph		105 mph		110 mph		115 mph		120 mph		130mph		140 mph		150 mph		160 mph		170 mph		180 mph		190 mph		200 mph																	
			Roof Zone ->	1	2	3	1	2	3	1	2	3	1	2	3	1	2	3	1	2	3	1	2	3	1	2	3	1	2	3	1	2	3	1	2	3											
45 psf	B	0 to 7.5	Array Interior	94	91	87	94	89	85	93	88	84	92	87	82	91	85	80	90	84	79	88	81	76	85	78	73	83	76	70	81	73	68	79	71	65	77	69	62	75	66	58	73	64	55		
		Array Edge	91	85	80	89	83	78	88	82	76	87	80	74	85	78	73	84	77	71	81	74	68	78	71	65	76	68	60	73	65	57	71	63	53	69	60	50	66	58	47	64	56	45			
		7.5 to 15	Array Interior	94	91	86	94	89	84	94	88	83	92	86	81	91	85	79	90	83	78	87	80	74	85	77	71	82	74	69	80	72	66	78	69	63	75	67	61	73	65	58	71	62	56		
		Array Edge	91	84	79	89	82	77	88	81	75	86	79	73	85	77	71	83	75	69	80	72	66	77	69	63	74	66	60	72	63	57	69	61	54	67	58	51	65	56	48	62	53	46			
	15 to 30	Array Interior	85	85	84	85	85	81	85	85	79	85	84	77	85	82	75	85	80	73	85	76	69	82	73	66	79	69	62	76	66	58	73	63	55	70	60	52	68	57	49	65	54	47			
	Array Edge	85	81	74	85	79	72	85	76	70	84	74	68	82	72	65	80	70	63	76	66	59	73	63	54	69	59	51	66	55	48	63	52	45	60	49	42	57	46	40	54	44	38				
	30 to 45	Array Interior	92	92	92	92	92	92	92	92	88	92	92	84	92	92	81	92	89	77	92	82	72	92	77	67	92	77	67	87	72	62	82	67	58	77	63	55	73	60	52	69	57	49	66	54	47
	Array Edge	92	91	80	92	87	76	92	83	72	92	79	69	92	76	66	89	73	63	82	68	59	77	63	55	72	59	51	67	55	48	63	52	45	60	49	42	57	46	40	54	44	38				
	C	0 to 7.5	Array Interior	92	86	81	90	84	79	89	83	78	88	81	76	86	80	74	85	78	72	82	75	69	80	72	66	77	69	63	75	67	59	72	64	55	70	62	52	68	59	49	66	57	47		
		Array Edge	86	79	74	84	77	72	83	75	70	81	74	68	80	72	66	78	70	64	75	67	59	72	64	55	69	61	51	67	58	48	64	56	45	62	53	42	59	50	40	57	47	38			
		7.5 to 15	Array Interior	85	83	76	85	80	74	85	78	71	85	76	69	83	74	67	81	72	65	78	68	61	74	65	56	71	61	53	68	57	49	65	54	46	62	51	44	59	47	41	55	45	39		
		Array Edge	83	73	67	80	71	64	78	69	61	76	66	58	74	64	56	72	62	54	68	57	49	65	53	46	61	50	43	57	47	40	54	44	38	51	41	36	48	39	34	46	37	32			
15 to 30	Array Interior	92	92	82	92	90	78	92	86	75	92	82	71	92	79	68	92	75	66	85	70	61	79	65	56	74	61	53	70	57	49	66	54	47	62	51	44	59	48	42	56	46	40				
Array Edge	92	78	68	90	74	64	86	71	61	82	67	59	79	65	56	75	62	54	70	57	50	65	53	46	61	50	43	57	47	40	54	44	38	51	41	36	48	39	34	46	37	32					
30 to 45	Array Interior	93	86	80	91	84	78	89	82	76	88	80	74	86	78	72	85	77	71	82	73	67	79	70	62	76	67	57	73	64	54	70	62	51	68	59	48	66	56	45	63	53	43				
Array Edge	86	78	72	84	76	70	82	74	67	80	72	64	78	70	61	77	68	59	73	64	54	70	61	50	67	58	47	64	54	44	62	51	41	59	48	39	56	46	37	53	44	35					
D	0 to 7.5	Array Interior	92	85	79	90	83	77	89	81	74	87	79	72	85	77	70	84	75	69	80	71	65	77	68	62	74	65	58	71	62	54	68	59	51	66	56	48	63	53	46	61	50	44			
	Array Edge	85	76	70	83	74	68	81	72	65	79	70	63	77	68	61	75	66	59	71	62	55	68	58	51	65	55	48	62	51	45	59	48	42	56	46	40	53	43	38	50	41	36				
	7.5 to 15	Array Interior	88	80	73	88	78	71	85	76	68	83	73	66	81	71	63	79	69	60	75	64	56	71	60	52	68	56	48	64	52	45	60	49	43	57	47	40	54	44	38	51	42	36			
	Array Edge	80	70	62	78	68	59	76	65	56	73	62	54	71	59	52	69	57	49	64	53	46	60	49	42	56	46	40	52	43	37	49	40	35	47	38	33	44	36	31	42	34	30				
15 to 30	Array Interior	95	87	76	95	83	72	95	79	69	92	76	66	88	73	63	85	70	60	78	64	56	73	60	52	68	56	48	64	52	45	60	49	43	57	47	40	54	44	38	51	42	36				
Array Edge	87	72	62	83	68	59	79	65	56	76	62	54	73	59	52	70	57	49	64	53	46	60	49	42	56	46	40	52	43	37	49	40	35	47	38	33	44	36	31	42	34	30					
30 to 45	Array Interior	90	88	84	90	86	83	90	85	81	89	84	80	88	83	78	87	81	77	85	79	74	83	76	71	81	73	67	79	72	66	77	69	64	75	67	62	73	65	58	71	62	55				
Array Edge	82	82	78	86	81	76	85	79	74	84	78	73	83	76	71	81	75	70	79	72	67	76	69	64	74	67	60	72	64	57	69	62	53	67	59	50	65	57	47	63	55	45					
50 psf	B	0 to 7.5	Array Interior	92	88	84	91	86	82	90	85	80	89	84	79	88	82	77	87	81	76	85	78	73	82	75	70	80	73	67	78	70	65	76	68	62	74	66	60	72	64	58	70	61	56		
		Array Edge	88	82	77	86	80	75	85	78	73	84	77	71	82	75	70	81	74	68	78	71	65	75	68	62	73	65	59	70	62	56	68	60	54	66	57	51	64	55	48	61	53	46			
		7.5 to 15	Array Interior	82	82	82	82	82	80	82	82	76	82	80	74	82	78	72	82	75	68	80	71	65	77	68	62	74	65	58	72	63	55	69	60	52	67	57	49	64	54	47					
		Array Edge	82	79	73	82	77	71	82	75	69	82	73	67	80	71	65	78	69	63	75	65	59	71	62	54	68	59	51	65	55	48	63	52	45	60	49	42	57	46	40	54	44	38			
	15 to 30	Array Interior	90	90	90	90	90	90	90	90	88	90	90	84	90	90	81	90	89	77	90	82	72	90	77	67	87	72	62	82	67	58	77	63	55	73	60	52	69	57	49	66	54	47			
	Array Edge	90	90	80	90	87	76	90	83	72	90	79	69	90	76	66	89	73	63	82	68	59	77	63	55	72	59	51	67	55	48	63	52	45	60	49	42	57	46	40	54	44	38				
	30 to 45	Array Interior	89	83	79	87	82	77	86	80	76	85	79	74	84	77	72	82	76	71	80	73	68	78	70	65	75	68	62	73	65	59	71	63	55	69	61	52	67	59	49	65	57	47			
	Array Edge	83	77	72	82	75	70	80	74	68	79	72	66	77	70	65	76	69	63	73	66	59	70	63	55	68	60	51	65	57	48	63	55	45	61	53	42	59	50	40	57	47	38				
	C	0 to 7.5	Array Interior	89	83	78	87	81	76	86	80	75	85	78	73	83	76	71	82	75	69	79	72	66	77	69	63	74	66	60	72	64	58	69	61	55	67	59	53	65	57	50	63	55	47		
		Array Edge	83	76	71	81	74	69	80	72	67	78	70	65	76	69	63	75	67	61	72	64	58	69	61	55	66	58	52	64	55	48	61	53	46	59	50	43	57	47	41	55	45	39			
		7.5 to 15	Array Interior	82	81	75	82	79	72	82	77	70	82	75	68	81	73	66	80	71	64	76	67	61	73	64	56	70	61	53	67	57	49	64	54	46	62	51	44	59	48	42	56	46	40		
		Array Edge	81	72	66	79	70	63	77	68	61	75	65	58	73	63	56	71	62	54	67	57	50	64	53	46	61	50	43																		



Maximum Rail Spans (Inches)			Everest Solar X80 Flush-Mount Dual Rail, Open Mono Slope Roof 0-30ft, 72 Cell(P) Rail Only																																													
Ground Snow Load	Exposure Category	Panel Angle	Wind Speed ->			95 mph			100 mph			105 mph			110 mph			115 mph			120 mph			130mph			140 mph			150 mph			160 mph			170 mph			180 mph			190 mph			200 mph			
			Roof Zone ->			1	2	3	1	2	3	1	2	3	1	2	3	1	2	3	1	2	3	1	2	3	1	2	3	1	2	3	1	2	3	1	2	3	1	2	3	1	2	3	1	2	3	
100 psf	B	0 to 7.5	Array Interior	65	65	65	65	65	65	65	65	65	65	65	64	65	65	63	65	65	63	65	64	61	65	62	59	65	61	58	64	60	56	63	58	55	61	57	54	60	56	52	59	54	51			
			Array Edge	65	65	63	65	65	62	65	64	61	65	63	60	65	62	59	65	61	58	64	60	57	62	58	55	61	57	53	60	55	51	58	53	50	57	52	48	56	50	46	54	49	45			
		7.5 to 15	Array Interior	66	66	66	66	66	66	66	66	65	66	66	64	66	66	63	66	65	63	66	64	61	66	62	59	65	61	57	64	59	56	62	58	54	61	56	53	60	55	51	59	54	50			
			Array Edge	66	66	63	66	65	62	66	64	61	66	63	60	66	62	59	65	61	58	64	59	56	62	58	54	61	56	52	59	54	50	58	53	48	56	51	47	55	49	45	54	48	44			
		15 to 30	Array Interior	66	66	66	66	66	66	66	66	66	66	66	64	66	66	63	66	66	62	66	64	60	66	62	57	65	60	55	64	58	53	62	56	51	60	54	49	59	52	47	57	50	46			
			Array Edge	66	66	63	66	65	61	66	64	60	66	63	59	66	62	57	66	60	56	64	58	53	62	55	51	60	53	49	58	51	46	56	49	44	54	47	42	52	46	40	50	44	38			
		30 to 45	Array Interior	73	73	73	73	73	73	73	73	73	73	73	73	73	73	73	73	73	73	73	73	70	73	73	67	73	70	62	73	67	58	73	63	55	70	59	51	67	55	48	63	52	45	60	49	42
			Array Edge	73	73	73	73	73	73	73	73	71	73	73	68	73	73	66	73	71	63	73	67	59	73	63	55	70	59	51	67	55	48	63	52	45	60	49	42	57	46	40	54	44	38			
	C	0 to 7.5	Array Interior	65	65	64	65	65	63	65	64	62	65	64	61	65	63	60	65	62	59	64	61	57	63	59	56	62	57	54	60	56	52	59	54	51	58	53	49	57	51	47	55	50	46			
			Array Edge	65	63	60	65	62	59	64	61	58	64	60	57	63	59	55	62	58	54	61	56	52	59	54	50	57	52	48	56	51	47	54	49	45	53	47	42	51	46	40	50	44	38			
		7.5 to 15	Array Interior	66	66	64	66	65	63	66	65	62	66	64	61	66	63	60	66	62	59	64	60	57	63	59	55	62	57	53	60	55	51	59	54	49	57	52	48	56	50	46	55	49	45			
			Array Edge	66	63	59	65	62	58	65	60	57	64	59	56	63	58	55	62	57	54	60	55	51	59	53	49	57	51	47	55	50	45	54	48	44	52	46	42	50	44	40	49	43	39			
		15 to 30	Array Interior	66	66	64	66	66	62	66	65	61	66	64	60	66	63	58	66	61	57	65	59	54	63	57	52	61	54	50	59	52	48	57	50	46	55	48	44	53	47	42	52	45	40			
			Array Edge	66	62	58	66	61	56	65	59	55	64	58	53	63	56	52	61	55	50	59	52	48	57	50	45	54	48	43	52	46	40	50	44	38	48	41	36	47	39	34	45	37	32			
		30 to 45	Array Interior	73	73	73	73	73	73	73	73	72	73	73	70	73	73	68	73	73	66	73	69	61	73	65	56	72	61	53	69	57	49	66	54	47	62	51	44	59	48	42	56	46	40			
			Array Edge	73	73	67	73	72	64	73	70	61	73	67	59	73	65	56	73	62	54	69	57	50	65	53	46	61	50	43	57	47	40	54	44	38	51	41	36	48	39	34	46	37	32			
	D	0 to 7.5	Array Interior	69	67	65	69	66	64	69	66	62	68	65	61	68	64	60	67	63	59	65	61	57	64	59	55	62	57	53	61	55	51	59	54	49	58	52	48	56	50	45	55	49	43			
			Array Edge	67	63	60	66	62	59	66	61	57	65	60	56	64	59	55	63	58	54	61	55	51	59	53	49	57	51	47	55	49	44	54	48	41	52	46	39	50	44	37	49	43	35			
		7.5 to 15	Array Interior	70	68	64	70	66	63	70	65	62	69	64	61	68	63	60	67	62	58	65	60	56	63	58	54	62	56	52	60	54	50	58	52	48	57	51	46	55	49	45	54	47	43			
			Array Edge	68	63	59	66	62	58	65	60	56	64	59	55	63	58	54	62	57	52	60	54	50	58	52	48	56	50	46	54	48	44	52	46	42	51	44	40	49	43	38	47	41	36			
		15 to 30	Array Interior	69	68	63	69	66	62	69	65	60	69	63	58	68	62	57	67	60	55	64	58	53	62	55	50	60	53	48	57	50	45	55	48	43	52	44	38	50	42	36						
			Array Edge	68	61	56	66	60	55	65	58	53	63	56	51	62	55	50	60	53	48	58	51	46	55	48	42	53	46	40	50	43	37	48	40	35	46	38	33	44	36	31	42	34	30			
		30 to 45	Array Interior	76	76	74	76	76	72	76	76	69	76	74	66	76	72	63	76	70	60	76	64	56	72	60	52	68	56	48	64	52	45	60	49	43	57	47	40	54	44	38	51	42	36			
			Array Edge	76	71	62	76	68	59	76	65	56	74	62	54	72	59	52	70	57	49	64	53	46	60	49	42	56	46	40	52	43	37	49	40	35	47	38	33	44	36	31	42	34	30			

Maximum Rail Spans (Inches)			Everest Solar X80 Flush-Mount Dual Rail, Open Mono Slope Roof 30-60ft, 72 Cell(L) Rail Only																																													
Ground Snow Load	Exposure Category	Panel Angle	Wind Speed ->	95 mph			100 mph			105 mph			110 mph			115 mph			120 mph			130mph			140 mph			150 mph			160 mph			170 mph			180 mph			190 mph			200 mph					
			Roof Zone ->	1	2	3	1	2	3	1	2	3	1	2	3	1	2	3	1	2	3	1	2	3	1	2	3	1	2	3	1	2	3	1	2	3	1	2	3	1	2	3						
0 psf	B	0 to 7.5	Array Interior	173	154	138	168	150	133	164	146	129	159	142	125	155	138	121	152	135	117	145	128	109	139	121	101	133	113	94	128	107	88	122	101	82	116	95	78	110	91	74	105	86	70			
		Array Edge	154	137	120	150	133	116	146	129	110	142	125	105	138	120	100	135	116	96	128	107	88	121	100	82	113	94	76	107	88	71	101	83	67	95	78	63	91	74	60	86	71	57				
		7.5 to 15	Array Interior	168	149	137	163	145	133	159	141	129	154	137	125	150	133	120	147	130	116	140	123	107	134	115	100	128	107	94	122	101	88	116	95	83	109	90	78	104	86	74	99	81	71	87	67	58
		Array Edge	149	133	119	145	128	114	141	124	108	137	119	104	133	114	99	130	109	95	123	101	88	115	95	82	107	88	77	101	83	72	95	78	68	90	74	64	86	70	61	81	67	51				
	15 to 30	Array Interior	152	134	122	147	130	116	143	126	111	139	121	106	135	116	102	132	112	97	125	104	90	117	96	84	110	90	78	103	85	74	97	80	69	92	76	66	87	72	62	83	68	59				
	Array Edge	134	115	100	130	110	96	126	105	91	121	100	87	116	96	83	112	92	80	104	85	74	96	79	69	90	74	64	85	70	60	80	65	57	76	62	54	72	59	51	68	56	48					
	30 to 45	Array Interior	153	135	122	148	131	117	144	127	111	140	122	106	136	117	102	133	112	98	126	104	91	118	97	84	110	91	79	104	85	74	98	80	70	92	76	66	88	72	62	83	68	59				
	Array Edge	135	116	101	131	110	96	127	105	91	122	101	87	117	96	84	112	92	80	104	85	74	97	79	69	91	74	64	85	70	60	80	66	57	76	62	54	72	59	51	68	56	48					
	C	0 to 7.5	Array Interior	159	142	124	155	138	120	151	134	116	147	130	111	143	126	106	139	122	101	133	113	93	127	105	87	120	99	81	113	93	75	106	88	71	101	83	67	96	79	63	91	75	60			
		Array Edge	142	125	105	138	120	99	134	114	94	130	109	90	126	105	86	122	101	82	113	93	76	105	87	70	99	81	66	93	76	61	88	72	58	83	68	54	79	64	52	75	61	49				
		7.5 to 15	Array Interior	154	137	125	150	133	120	146	129	114	142	125	109	138	120	105	135	115	101	128	107	93	121	100	87	113	93	81	107	88	76	101	83	72	95	78	68	90	74	64	86	71	61			
		Array Edge	137	119	104	133	113	99	129	108	94	125	103	90	120	99	86	115	95	83	107	88	77	100	82	71	93	77	67	88	72	62	83	68	59	78	64	56	74	61	53	71	58	50				
15 to 30	Array Interior	139	121	106	135	116	101	131	110	96	127	106	92	123	101	88	118	97	85	109	90	78	102	84	73	95	78	68	90	73	64	84	69	60	80	65	57	76	62	54	72	59	51					
Array Edge	121	100	87	116	95	83	110	91	79	106	87	76	101	83	72	97	80	69	90	74	64	84	69	60	78	64	56	73	60	52	69	57	49	65	53	46	62	51	44	59	48	42						
30 to 45	Array Interior	140	122	106	136	116	101	132	111	97	128	106	92	123	102	88	119	98	85	110	90	78	102	84	73	96	78	68	90	74	64	85	69	60	80	66	57	76	62	54	72	59	51					
Array Edge	122	101	87	116	96	83	111	91	79	106	87	76	102	83	72	98	80	69	90	74	64	84	69	60	78	64	56	73	60	52	69	57	49	65	54	46	62	51	44	59	48	42						
D	0 to 7.5	Array Interior	153	136	119	149	132	114	145	128	108	141	124	103	137	119	99	134	114	94	127	106	87	119	99	81	112	92	75	105	87	70	99	82	66	94	77	62	89	73	59	85	70	56				
	Array Edge	136	118	97	132	112	92	128	107	88	124	102	84	119	98	80	114	94	77	106	87	71	99	81	65	92	76	61	87	71	57	82	67	54	77	63	51	73	60	48	70	57	46					
	7.5 to 15	Array Interior	148	131	118	144	127	112	140	123	107	136	117	102	132	113	98	129	108	94	121	100	87	113	93	81	106	87	76	100	82	71	94	77	67	89	73	63	85	69	60	80	66	57				
	Array Edge	131	111	97	127	106	92	123	101	88	117	97	84	113	93	81	108	89	77	100	82	72	93	77	67	90	73	62	82	67	58	77	63	55	73	60	52	69	57	49	66	54	47					
15 to 30	Array Interior	133	114	99	129	108	94	125	103	90	120	99	86	115	95	82	110	91	79	102	84	73	95	78	68	89	73	63	84	69	60	79	65	56	75	61	53	71	58	50	67	55	48					
Array Edge	114	94	81	108	89	77	103	85	74	99	81	71	95	78	68	91	75	65	84	69	60	78	64	56	73	60	52	69	56	49	65	53	46	61	50	43	58	47	41	55	45	39						
30 to 45	Array Interior	134	114	100	130	109	95	126	104	90	121	99	86	116	95	83	111	91	79	103	84	73	96	78	68	89	73	64	84	69	60	79	65	56	75	61	53	71	58	50	67	55	48					
Array Edge	114	94	82	109	89	78	104	85	74	99	81	71	95	78	68	91	75	65	84	69	60	78	64	56	73	60	52	69	56	49	65	53	46	61	50	43	58	47	41	55	45	39						
5 psf	B	0 to 7.5	Array Interior	169	154	138	166	150	133	163	146	129	159	142	125	155	138	121	152	135	117	145	128	109	139	121	101	133	113	94	128	107	88	122	101	82	116	95	78	110	91	74	105	86	70			
		Array Edge	154	137	120	150	133	116	146	129	110	142	125	105	138	120	100	135	116	96	128	107	88	121	100	82	113	94	76	107	88	71	101	83	67	95	78	63	91	74	60	86	71	57				
		7.5 to 15	Array Interior	166	149	137	163	145	133	159	141	129	154	137	125	150	133	120	147	130	116	140	123	107	134	115	100	128	107	94	122	101	88	116	95	83	109	90	78	104	86	74	99	81	71			
		Array Edge	149	133	119	145	128	114	141	124	108	137	119	104	133	114	99	130	109	95	123	101	88	115	95	82	107	88	77	101	83	72	95	78	68	90	74	64	86	70	61	81	67	58				
	15 to 30	Array Interior	152	134	122	147	130	116	143	126	111	139	121	106	135	116	102	132	112	97	125	104	90	117	96	84	110	90	78	103	85	74	97	80	69	92	76	66	87	72	62	83	68	59				
	Array Edge	134	115	100	130	110	96	126	105	91	121	100	87	116	96	83	112	92	80	104	85	74	96	79	69	90	74	64	85	70	60	80	65	57	76	62	54	72	59	51	68	56	48					
	30 to 45	Array Interior	153	135	122	148	131	117	144	127	111	140	122	106	136	117	102	133	112	98	126	104	91	118	97	84	110	91	79	104	85	74	98	80	70	92	76	66	88	72	62	83	68	59				
	Array Edge	135	116	101	131	110	96	127	105	91	122	101	87	117	96	84	112	92	80	104	85	74	97	79	69	91	74	64	85	70	60	80	66	57	76	62	54	72	59	51	68	56	48					
	C	0 to 7.5	Array Interior	159	142	124	155	138	120	151	134	116	147	130	111	143	126	106	139	122	101	133	113	93	127	105	87	120	99	81	113	93	75	106	88	71	101	83	67	96	79	63	91	75	60			
		Array Edge	142	125	105	138	120	99	134	114	94	130	109	90	126	105	86	122	101	82	113	93	76	105	87	70	99	81																				

Maximum Rail Spans (Inches)			Everest Solar X80 Flush-Mount Dual Rail, Open Mono Slope Roof 30-60ft, 72 Cell(L) Rail Only																																													
Ground Snow Load	Exposure Category	Panel Angle	Wind Speed ->	95 mph			100 mph			105 mph			110 mph			115 mph			120 mph			130mph			140 mph			150 mph			160 mph			170 mph			180 mph			190 mph			200 mph					
			Roof Zone ->	1	2	3	1	2	3	1	2	3	1	2	3	1	2	3	1	2	3	1	2	3	1	2	3	1	2	3	1	2	3	1	2	3	1	2	3	1	2	3	1	2	3			
15 psf	B	0 to 7.5	Array Interior	148	140	133	146	138	131	144	135	128	142	133	125	140	131	121	138	129	117	135	124	109	131	118	101	128	113	94	124	107	88	119	101	82	114	95	78	110	91	74	105	86	70	100	81	64
		Array Edge	140	130	120	138	128	116	135	125	110	133	121	105	131	118	100	129	114	96	124	107	88	118	100	82	113	94	76	107	88	71	101	83	67	95	78	63	91	74	60	86	71	57				
		7.5 to 15	Array Interior	147	138	131	145	136	128	143	133	126	141	131	122	139	129	119	137	126	115	133	120	107	129	114	100	125	107	94	120	101	88	115	95	83	109	90	78	104	86	74	99	81	71	94	77	67
		Array Edge	138	128	118	136	125	114	133	121	108	131	117	104	129	114	99	126	109	95	120	101	88	114	95	82	107	88	77	101	83	72	95	78	68	90	74	64	86	70	61	81	67	58				
		15 to 30	Array Interior	143	134	122	143	130	116	143	126	111	139	121	106	135	116	102	132	112	97	125	104	90	117	96	84	110	90	78	103	85	74	97	80	69	92	76	66	87	72	62	83	68	59	78	64	54
		Array Edge	134	115	100	130	110	96	126	105	91	121	100	87	116	96	83	112	92	80	104	85	74	96	79	69	90	74	64	85	70	60	80	65	57	76	62	54	72	59	51	68	56	48				
	30 to 45	Array Interior	147	135	122	147	131	117	144	127	111	140	122	106	136	117	102	133	112	98	126	104	91	118	97	84	110	91	79	104	85	74	98	80	70	92	76	66	88	72	62	83	68	59	78	64	54	
	Array Edge	135	116	101	131	110	96	127	105	91	122	101	87	117	96	84	112	92	80	104	85	74	97	79	69	91	74	64	85	70	60	80	66	57	76	62	54	72	59	51	68	56	48					
	C	0 to 7.5	Array Interior	142	133	124	140	130	120	138	128	116	136	126	111	134	122	106	131	119	101	127	112	93	123	105	87	117	99	81	112	93	75	106	88	71	101	83	67	96	79	63	91	75	60			
		Array Edge	133	121	105	130	117	99	128	113	94	126	109	90	122	105	86	119	101	82	112	93	76	105	87	70	99	81	66	93	76	61	88	72	58	83	68	54	79	64	52	75	61	49				
		7.5 to 15	Array Interior	141	131	122	138	128	118	136	126	114	134	122	109	132	118	105	129	115	101	125	107	93	119	100	87	113	93	81	107	88	76	101	83	72	95	78	68	90	74	64	86	71	61			
		Array Edge	131	117	104	128	113	99	126	108	94	122	103	90	118	99	86	115	95	83	107	88	77	100	82	71	93	77	67	88	72	62	83	68	59	78	64	56	74	61	53	71	58	50				
15 to 30		Array Interior	139	121	106	135	116	101	131	110	96	127	106	92	123	101	88	118	97	85	109	90	78	102	84	73	95	78	68	90	73	64	84	69	60	80	65	57	76	62	54	72	59	51				
Array Edge		121	100	87	116	95	83	110	91	79	106	87	76	101	83	72	97	80	69	90	74	64	84	69	60	78	64	56	73	60	52	69	57	49	65	53	46	62	51	44	59	48	42					
30 to 45	Array Interior	140	122	106	136	116	101	132	111	97	128	106	92	123	102	88	119	98	85	110	90	78	102	84	73	96	78	68	90	74	64	85	69	60	80	66	57	76	62	54	72	59	51					
Array Edge	122	101	87	116	96	83	111	91	79	106	87	76	102	83	72	98	80	69	90	74	64	84	69	60	78	64	56	73	60	52	69	57	49	65	54	46	62	51	44	59	48	42						
D	0 to 7.5	Array Interior	139	130	119	137	127	114	135	124	108	132	120	103	130	117	99	128	113	94	123	106	87	117	99	81	112	92	75	105	87	70	99	82	66	94	77	62	89	73	59	85	70	56				
	Array Edge	130	116	97	127	112	92	124	107	88	120	102	84	117	98	80	113	94	77	106	87	71	99	81	65	92	76	61	87	71	57	82	67	54	77	63	49	73	60	48	70	57	46					
	7.5 to 15	Array Interior	138	127	117	135	124	112	133	120	107	130	116	102	128	113	98	126	108	94	119	100	87	113	93	81	106	87	76	100	82	71	94	77	67	89	73	63	85	69	60	80	66	57				
	Array Edge	127	111	97	124	106	92	120	101	88	116	97	84	113	93	81	108	89	77	100	82	72	93	77	67	91	75	62	82	67	58	77	63	55	73	60	52	69	57	49	66	54	47					
	15 to 30	Array Interior	133	114	99	129	108	94	125	103	90	120	99	86	115	95	82	110	91	79	102	84	73	95	78	68	89	73	63	84	69	60	79	65	56	75	61	53	71	58	50	67	55	48				
	Array Edge	114	94	81	108	89	77	103	85	74	99	81	71	95	78	68	91	75	65	84	69	60	78	64	56	73	60	52	69	56	49	65	53	46	61	50	43	58	47	41	55	45	39					
30 to 45	Array Interior	134	114	100	130	109	95	126	104	90	121	99	86	116	95	83	111	91	79	103	84	73	96	78	68	89	73	64	84	69	60	79	65	56	75	61	53	71	58	50	67	55	48					
Array Edge	114	94	82	109	89	78	104	85	74	99	81	71	95	78	68	91	75	65	84	69	60	78	64	56	73	60	52	69	56	49	65	53	46	61	50	43	58	47	41	55	45	39						
20 psf	B	0 to 7.5	Array Interior	141	134	128	139	132	126	138	130	123	136	128	120	134	126	117	133	124	114	130	118	108	126	113	101	122	108	94	118	104	88	114	100	82	110	95	78	106	91	74	102	86	70			
		Array Edge	134	126	116	132	122	112	130	119	109	128	116	105	126	113	100	124	110	96	118	104	88	113	99	82	108	94	76	104	88	71	100	83	67	95	78	63	91	74	60	86	71	57				
		7.5 to 15	Array Interior	140	133	127	139	131	124	137	129	120	135	127	117	133	124	114	132	121	111	128	115	105	124	110	100	120	105	94	115	100	88	111	95	83	107	90	78	103	86	74	99	81	71			
		Array Edge	133	123	113	131	120	109	129	116	106	127	113	103	124	110	99	121	107	95	115	101	88	110	95	82	105	88	77	100	83	72	95	78	68	90	74	64	86	70	61	81	67	58				
		15 to 30	Array Interior	126	126	121	126	126	116	126	124	111	126	120	106	126	116	102	126	112	97	123	104	90	117	96	84	110	90	78	103	85	74	97	80	69	92	76	66	87	72	62	83	68	59			
		Array Edge	126	115	100	126	110	96	124	105	91	120	100	87	116	96	83	112	92	80	104	85	74	96	79	69	90	74	64	85	70	60	80	65	57	76	62	54	72	59	51	68	56	48				
	30 to 45	Array Interior	134	134	122	134	131	117	134	127	111	134	122	106	134	117	102	133	112	98	126	104	91	118	97	84	110	91	79	104	85	74	98	80	70	92	76	66	88	72	62	83	68	59				
	Array Edge	134	116	101	131	110	96	127	105	91	122	101	87	117	96	84	112	92	80	104	85	74	97	79	69	91	74	64	85	70	60	80	66	57	76	62	54	72	59	51	68	56	48					
	C	0 to 7.5	Array Interior	136	128	120	134	126	116	132	123	113	130	120	110	129	117	106	127	114	101	122	108	93	117	103	87	112	98	81	108	93	75	104	88	71	100	83	67	96	79	63	91	75	60			
		Array Edge	128	116	105	126	112	99	123	109	94	120	106	90	117	103	86																															



Maximum Rail Spans (Inches)			Everest Solar X80 Flush-Mount Dual Rail, Open Mono Slope Roof 30-60ft, 72 Cell(L) Rail Only																																																		
Ground Snow Load	Exposure Category	Panel Angle	Wind Speed ->	95 mph			100 mph			105 mph			110 mph			115 mph			120 mph			130mph			140 mph			150 mph			160 mph			170 mph			180 mph			190 mph			200 mph										
			Roof Zone ->	1	2	3	1	2	3	1	2	3	1	2	3	1	2	3	1	2	3	1	2	3	1	2	3	1	2	3	1	2	3	1	2	3	1	2	3	1	2	3											
45 psf	B	0 to 7.5	Array Interior	128	122	116	127	120	114	126	118	111	125	116	109	123	114	107	121	112	105	118	108	100	114	104	96	111	100	92	108	97	88	104	93	82	101	90	78	98	87	74	96	84	70								
			Array Edge	122	113	106	120	111	103	118	108	101	116	106	98	114	104	96	112	101	93	108	97	88	104	93	82	100	89	76	97	85	71	93	82	67	90	78	63	87	74	60	84	71	57								
		7.5 to 15	Array Interior	118	118	115	118	118	112	118	117	110	118	115	107	118	113	105	118	110	103	117	106	98	113	102	94	109	96	80	106	94	86	102	91	82	98	86	77	94	82	72	91	78	68	86	74	61	81	67	58		
			Array Edge	118	112	104	118	109	101	117	107	99	115	104	96	113	102	93	110	99	91	106	95	86	102	90	82	98	86	77	94	82	72	91	78	68	87	74	64	84	70	61	81	67	58								
		15 to 30	Array Interior	105	105	105	105	105	105	105	105	104	105	105	101	105	105	98	105	105	95	105	95	90	105	94	84	103	90	78	99	85	74	95	80	69	91	76	66	87	72	62	83	68	59								
			Array Edge	105	105	97	105	103	94	105	100	91	105	97	87	105	94	83	105	91	80	99	85	74	94	79	69	90	74	64	85	70	60	80	65	57	76	62	54	72	59	51	68	56	48								
	30 to 45	Array Interior	115	115	115	115	115	115	115	115	111	115	115	106	115	115	102	115	112	98	115	112	98	115	104	91	115	97	84	110	91	79	104	85	74	97	79	69	91	74	64	85	70	60	80	66	57	76	62	54	72	59	51
		Array Edge	115	115	101	115	110	96	115	105	91	115	101	87	115	96	84	112	92	80	104	85	74	97	79	69	91	74	64	85	70	60	80	66	57	76	62	54	72	59	51	68	56	48									
	C	0 to 7.5	Array Interior	125	116	109	123	114	106	121	111	104	119	109	101	117	107	99	115	104	97	111	100	92	107	96	87	103	92	81	100	88	75	96	85	71	93	81	67	90	78	63	87	75	60								
			Array Edge	116	106	98	114	103	95	111	101	93	109	98	90	107	96	86	104	93	82	100	89	76	96	84	70	92	80	66	88	76	61	85	72	58	81	68	54	78	64	52	75	61	49								
		7.5 to 15	Array Interior	118	115	107	118	112	105	118	110	102	118	107	99	116	105	97	113	102	94	109	98	89	105	93	85	101	89	81	97	86	76	94	82	72	91	78	68	87	74	64	84	71	61								
			Array Edge	115	104	96	112	101	93	110	98	90	107	96	87	105	93	85	102	91	82	98	86	77	93	81	71	89	77	67	86	72	62	82	68	59	78	64	56	74	61	53	71	58	50								
15 to 30		Array Interior	105	105	101	105	105	97	105	104	94	105	101	91	105	98	88	105	95	85	103	90	78	98	84	73	94	78	68	89	73	64	84	69	60	80	65	57	76	62	54	72	59	51									
		Array Edge	105	97	87	105	94	83	104	90	79	101	87	76	98	83	72	95	80	69	90	74	64	84	69	60	78	64	56	73	60	52	69	57	49	65	53	46	62	51	44	59	48	42									
30 to 45	Array Interior	115	115	106	115	115	101	115	111	97	115	106	92	115	102	88	115	98	85	110	90	78	102	84	73	96	78	68	90	74	64	85	69	60	80	66	57	76	62	54	72	59	51										
	Array Edge	115	101	87	115	96	83	111	91	79	106	87	76	102	83	72	98	80	69	90	74	64	84	69	60	78	64	56	74	60	52	69	57	49	66	54	46	62	51	44	59	48	42										
D	0 to 7.5	Array Interior	126	116	108	124	113	105	121	111	102	119	108	100	117	105	97	114	103	94	110	98	87	106	94	81	102	90	75	98	86	70	94	82	66	91	77	62	88	73	59	84	70	56									
		Array Edge	116	105	96	113	102	92	111	99	88	108	96	84	105	93	80	103	91	77	98	86	71	94	81	65	90	76	61	86	71	57	82	67	54	77	63	51	73	60	48	70	57	46									
	7.5 to 15	Array Interior	125	114	106	123	111	103	120	109	100	118	106	97	115	103	94	113	100	92	108	96	87	103	91	81	99	87	76	95	82	71	91	77	67	88	73	63	85	69	60	80	66	57									
		Array Edge	114	102	93	111	99	90	109	96	87	106	93	84	103	91	81	100	88	77	96	82	72	91	77	67	87	72	62	82	67	58	77	63	55	73	60	52	69	57	49	66	54	47									
	15 to 30	Array Interior	110	108	98	110	104	94	110	101	90	110	98	86	109	95	82	106	91	79	100	84	73	95	78	68	89	73	63	84	69	60	79	65	56	75	61	53	71	58	50	67	55	48									
		Array Edge	108	94	81	104	89	77	101	85	74	98	81	71	95	78	68	91	75	65	84	69	60	78	64	56	73	60	52	69	56	49	65	53	46	61	50	43	58	47	41	55	45	39									
30 to 45	Array Interior	119	114	100	119	109	95	119	104	90	119	99	86	116	95	83	111	91	79	103	84	73	96	78	68	89	73	64	84	69	60	79	65	56	75	61	53	71	58	50	67	55	48										
	Array Edge	114	94	82	109	89	78	104	85	74	99	81	71	95	78	68	91	75	65	84	69	60	78	64	56	73	60	52	69	56	49	65	53	46	61	50	43	58	47	41	55	45	39										
50 psf	B	0 to 7.5	Array Interior	125	119	113	124	117	111	122	115	109	121	113	106	119	111	104	117	109	102	114	105	98	111	102	94	108	98	90	105	95	87	102	91	82	99	88	78	96	85	74	94	83	70								
			Array Edge	119	110	104	117	108	101	115	106	99	113	104	96	111	101	94	109	99	92	105	95	87	102	91	82	98	87	76	95	84	71	91	80	67	88	77	63	85	74	60	83	71	57								
		7.5 to 15	Array Interior	114	114	112	114	114	110	114	114	107	114	112	105	114	110	103	114	108	100	114	104	96	110	100	92	107	96	88	103	93	84	100	89	81	97	86	78	94	83	74	91	80	71								
			Array Edge	114	109	102	114	107	99	114	104	97	112	102	94	110	99	92	108	97	89	104	93	85	100	89	81	96	85	77	93	81	72	89	78	68	86	74	64	83	70	61	80	67	58								
		15 to 30	Array Interior	102	102	102	102	102	102	102	102	102	102	102	96	102	102	96	102	102	94	102	98	89	102	93	84	101	89	78	97	85	74	94	80	69	90	76	66	87	72	62	83	68	59								
			Array Edge	102	102	96	102	101	92	102	98	89	102	95	86	102	93	83	102	90	80	98	85	74	93	79	69	89	74	64	85	70	60	80	65	57	76	62	54	72	59	51	68	56	48								
	30 to 45	Array Interior	112	112	112	112	112	112	112	112	111	112	112	106	112	112	102	112	112	102	112	112	98	112	104	91	112	97	84	110	91	79	104	85	74	98	80	70	92	76	66	88	72	62	83	68	59						
		Array Edge	112	112	101	112	110	96	112	105	91	112	101	87	112	96	84	112	92	80	104	85	74	97	79	69	91	74	64	85	70	60	80	66	57	76	62	54	72	59	51	68	56	48									
	C	0 to 7.5	Array Interior	121	113	106	119	111	104	117	108	101	115	106	99	113	104	97	111	102	95	108	98	90	104	94	86	101	90	81	98	87	75	94	83	71	91	80	67	88	77	63	86	75	60								
			Array Edge	113	104	96	111	101	93	108	98	91	106	96	88	104	94	86	102	91	82	98	87																														

Maximum Rail Spans (Inches)				Everest Solar X80 Flush-Mount Dual Rail, Open Mono Slope Roof 30-60ft, 72 Cell(L) Rail Only																																												
Ground Snow Load	Exposure Category	Panel Angle	Wind Speed ->	95 mph			100 mph			105 mph			110 mph			115 mph			120 mph			130mph			140 mph			150 mph			160 mph			170 mph			180 mph			190 mph			200 mph					
			Roof Zone ->	1	2	3	1	2	3	1	2	3	1	2	3	1	2	3	1	2	3	1	2	3	1	2	3	1	2	3	1	2	3	1	2	3	1	2	3	1	2	3	1	2	3			
70 psf	B	0 to 7.5	Array Interior	107	106	102	107	105	100	107	103	99	107	102	97	106	100	95	105	99	94	103	96	91	101	93	88	98	91	85	96	88	82	94	85	79	91	83	76	89	80	74	87	78	70			
			Array Edge	106	100	95	105	98	93	103	97	91	102	95	89	100	93	87	99	91	85	96	88	82	93	85	78	91	82	75	88	79	71	85	76	67	83	73	63	80	71	60	78	68	57			
		7.5 to 15	Array Interior	104	104	102	104	104	100	104	103	98	104	102	96	104	100	95	104	99	93	103	95	89	100	92	86	99	90	84	95	87	80	84	74	67	81	71	64	78	69	61	76	66	58			
			Array Edge	104	100	94	104	98	92	103	96	90	102	94	88	100	92	86	99	90	84	95	87	80	92	83	76	89	80	73	86	77	70	84	74	67	81	71	64	78	69	61	76	66	58			
		15 to 30	Array Interior	93	93	93	93	93	93	93	93	93	93	93	93	93	93	93	93	93	93	93	92	84	93	88	80	93	85	78	92	81	73	88	77	69	84	73	64	81	70	60	78	68	59			
			Array Edge	93	93	90	93	93	87	93	92	85	93	90	82	93	88	80	93	85	78	92	81	73	88	77	69	84	73	64	81	70	60	78	68	57	85	75	66	82	72	62	80	68	59			
	30 to 45	Array Interior	101	101	101	101	101	101	101	101	101	101	101	101	101	101	101	101	101	101	101	101	98	101	101	91	101	97	84	101	91	79	101	85	74	97	79	69	91	74	64	85	70	60	80	66	57	
		Array Edge	101	101	101	101	101	96	101	101	91	101	101	87	101	96	84	101	92	80	101	85	74	97	79	69	91	74	64	85	70	60	80	66	57	76	62	54	76	62	54	71	58	49				
	C	0 to 7.5	Array Interior	107	102	97	106	100	95	105	99	93	104	97	91	102	95	90	101	94	88	98	90	84	96	87	81	93	84	78	90	81	75	88	79	71	85	76	67	83	74	63	81	71	60			
			Array Edge	102	95	89	100	93	87	99	91	85	97	89	83	95	87	81	94	85	79	90	82	75	87	78	70	84	75	66	81	72	61	79	69	58	76	67	54	74	64	52	71	61	49			
		7.5 to 15	Array Interior	104	102	96	104	100	94	104	98	92	104	96	90	102	94	88	101	93	86	98	89	83	95	86	79	92	83	76	89	80	73	86	77	70	84	74	67	80	71	60	78	67	57			
			Array Edge	102	94	88	100	92	85	98	90	83	96	88	81	94	86	79	93	84	77	89	80	73	86	76	69	83	73	66	80	70	62	77	67	59	74	64	56	71	61	53	69	58	50			
15 to 30		Array Interior	93	93	93	93	93	90	93	93	88	93	93	85	93	91	83	93	88	81	93	84	77	91	84	76	91	80	72	87	76	68	84	73	64	81	69	60	78	65	57	75	62	54	72	59	51	
		Array Edge	93	90	82	93	87	80	93	85	77	93	82	75	91	80	72	88	78	69	84	73	64	80	69	60	76	64	56	73	60	52	69	57	49	65	53	46	62	51	44	59	48	42				
30 to 45	Array Interior	101	101	101	101	101	101	101	101	97	101	101	92	101	101	88	101	98	85	101	90	78	101	84	73	96	78	68	90	74	64	96	57	49	66	54	46	62	52	44	59	48	42					
	Array Edge	101	101	101	101	96	101	101	91	101	101	87	101	96	84	101	92	80	101	85	74	97	79	69	91	74	64	85	70	60	80	66	57	76	62	54	72	59	51	68	56	48						
D	0 to 7.5	Array Interior	110	103	98	108	101	95	107	99	93	105	97	91	104	96	89	102	94	87	99	90	83	96	87	80	93	83	75	90	80	70	87	77	66	84	74	62	82	71	59	79	69	56				
		Array Edge	103	95	88	101	93	86	99	91	84	97	88	81	96	86	79	94	84	77	90	80	71	87	77	65	83	73	61	80	70	57	77	67	54	74	63	51	71	60	48	69	57	46				
	7.5 to 15	Array Interior	108	103	96	108	100	94	107	98	92	105	96	89	103	94	87	101	92	85	98	88	81	94	85	77	91	81	74	88	78	70	85	75	67	82	72	63	79	69	60	77	66	57				
		Array Edge	103	94	87	100	91	84	98	89	82	96	86	79	94	84	77	92	82	75	88	78	71	85	74	67	91	81	74	88	78	70	85	75	67	82	72	62	79	69	60	77	66	57				
	15 to 30	Array Interior	96	96	91	96	96	89	96	94	86	96	91	83	96	89	81	96	86	78	93	82	73	89	78	68	85	73	63	82	69	60	78	65	56	75	61	53	71	58	50	67	55	48				
		Array Edge	96	88	80	96	85	77	94	82	74	91	80	71	89	77	68	86	75	65	82	69	60	78	64	56	73	60	52	69	56	49	65	53	46	61	50	43	58	47	41	55	45	39				
30 to 45	Array Interior	105	105	100	105	105	95	105	104	90	105	99	86	105	93	83	105	91	79	103	84	73	96	78	68	89	73	64	84	69	60	79	65	56	75	61	53	71	58	50	67	55	48					
	Array Edge	105	94	82	105	89	78	104	85	74	99	81	71	95	78	68	91	75	65	84	69	60	78	64	56	73	60	52	69	56	49	65	53	46	61	50	43	58	47	41	55	45	39					
80 psf	B	0 to 7.5	Array Interior	100	100	98	100	100	96	100	99	95	100	97	93	100	96	92	100	95	90	98	92	87	96	90	85	94	87	82	92	85	79	80	73	85	77	71	83	74	67	80	72	63	78	69	60	
			Array Edge	100	96	91	100	94	90	99	93	88	97	91	86	96	90	84	95	88	83	92	85	80	90	82	76	87	80	73	85	77	71	83	74	67	80	72	63	78	69	60	76	67	57			
		7.5 to 15	Array Interior	100	100	98	100	100	96	100	99	94	100	97	93	100	96	91	100	95	90	99	92	86	96	89	83	94	86	80	92	84	78	89	81	75	87	79	72	85	76	69	79	70	63	76	67	61
			Array Edge	100	96	91	100	94	89	99	92	87	97	91	85	96	89	83	95	87	81	92	84	78	89	81	75	86	78	72	84	75	69	81	72	66	79	70	63	76	67	61	74	65	58			
		15 to 30	Array Interior	89	89	89	89	89	89	89	89	89	89	89	89	89	89	89	89	89	89	89	86	89	86	82	89	86	82	89	82	75	89	79	72	86	76	69	83	73	66	81	70	62	78	68	59	
			Array Edge	89	89	88	89	89	85	89	89	83	89	88	81	89	85	78	89	83	76	89	79	72	86	76	68	82	72	64	79	69	60	76	65	57	73	62	54	70	59	51	68	56	48			
	30 to 45	Array Interior	97	97	97	97	97	97	97	97	97	97	97	97	97	97	97	97	97	97	97	97	97	97	97	97	97	97	97	97	97	97	97	97	97	97	97	97	97	97	97	97	97	97	97			
		Array Edge	97	97	97	97	97	96	97	97	91	97	97	87	97	96	84	97	92	80	97	85	74	97	79	69	87	74	64	85	70	60	80	66	57	76	62	54	72	59	51	68	56	48				
	C	0 to 7.5	Array Interior	100	97	93	100	96	92	100	95	90	99	93	88	98	92	87	97	90	85	94	87	82	92	85	79	90	82	76	87	79	73	85	77	70	83	74	67	80	72	63	78	70	60			
			Array Edge	97	91	86	96	90	84	95	88	82	93	86	80	92	84	78	90	83	77	87	79	73	85	76	70	82	73	66	79	70	61	77	68	58	74	65	54	72	63	52	70	61	49			
		7.5 to 15	Array Interior	100	97	93	100	96	91	100	94	89	99	93	87	98	91	85	97	89	84	94	86	80	91	83	77	89	80	74	86	78	71	84	75	68	81	72	66	79	70	63	77	68	61			
			Array Edge	97	91	85	96	89	83	94	87	81	93	85	79	91	83	77	89	81	75	86	78	71	83	74	68	80	71	65	78	68	62	75	66	59	72	63	56	70	61	53	68	58	50			



Maximum Rail Spans (Inches)			Everest Solar X80 Flush-Mount Dual Rail, Open Mono Slope Roof 30-60ft, 72 Cell(L) Rail Only																																																
Ground Snow Load	Exposure Category	Panel Angle	Wind Speed -> Roof Zone ->	95 mph			100 mph			105 mph			110 mph			115 mph			120 mph			130mph			140 mph			150 mph			160 mph			170 mph			180 mph			190 mph			200 mph								
				1	2	3	1	2	3	1	2	3	1	2	3	1	2	3	1	2	3	1	2	3	1	2	3	1	2	3	1	2	3	1	2	3	1	2	3	1	2	3									
100 psf	B	0 to 7.5	Array Interior	90	90	90	90	90	89	90	90	88	90	90	87	90	89	86	90	88	84	90	86	82	89	84	80	88	82	77	86	80	75	84	78	73	83	76	71	81	74	69	79	72	67						
			Array Edge	90	89	85	90	88	84	90	86	82	90	85	81	89	84	80	88	83	78	86	80	75	84	78	73	82	75	70	80	73	68	78	71	65	76	69	63	74	67	60	72	65	57						
		7.5 to 15	Array Interior	92	92	91	92	92	89	92	92	88	92	90	87	92	89	85	92	88	84	91	86	81	90	84	79	88	81	76	86	79	74	84	77	72	82	75	69	80	73	67	79	71	65						
			Array Edge	92	89	85	92	88	83	92	86	82	90	85	80	89	84	79	88	82	77	86	79	74	84	77	71	81	74	69	79	72	66	77	69	64	75	67	61	73	65	59	71	63	57						
		15 to 30	Array Interior	83	83	83	83	83	83	83	83	83	83	83	83	83	83	83	83	83	83	83	83	83	83	83	83	83	83	83	83	83	83	83	83	83	83	83	83	83	83	83	83	83	83	83	83	83	83		
			Array Edge	83	83	83	83	83	83	81	83	83	79	83	83	77	83	82	75	83	80	73	83	76	70	82	73	66	79	70	63	76	67	60	73	64	57	71	61	54	68	59	51	66	56	48					
		30 to 45	Array Interior	91	91	91	91	91	91	91	91	91	91	91	91	91	91	91	91	91	91	91	91	91	91	91	91	91	91	91	91	91	91	91	91	91	91	91	91	91	91	91	91	91	91	91	91	91	91	91	
			Array Edge	91	91	91	91	91	91	91	91	91	91	91	87	91	91	84	91	91	80	91	85	74	91	79	69	91	74	64	85	70	60	80	66	57	76	62	54	72	59	51	68	56	48						
	C	0 to 7.5	Array Interior	90	90	87	90	89	85	90	88	84	90	87	83	90	85	81	89	84	80	88	82	77	86	80	75	84	77	72	82	75	70	80	73	67	78	71	65	76	69	63	74	67	60						
			Array Edge	90	85	81	89	84	79	88	82	78	87	81	76	85	79	74	84	78	73	82	75	70	80	73	67	77	70	64	75	68	61	73	65	58	71	63	54	69	61	52	67	59	49						
		7.5 to 15	Array Interior	92	90	87	92	89	85	92	88	84	92	87	82	91	85	81	90	84	79	88	81	76	85	79	73	83	76	71	81	74	68	79	72	66	77	69	63	75	67	61	73	65	59						
			Array Edge	90	85	80	89	83	78	88	82	77	87	80	75	85	79	73	84	77	72	81	74	68	79	71	65	76	68	63	74	66	60	72	63	58	69	61	55	67	59	53	65	57	50						
		15 to 30	Array Interior	83	83	83	83	83	83	83	83	83	83	83	83	83	83	83	83	83	83	83	83	83	83	83	83	83	83	83	83	83	83	83	83	83	83	83	83	83	83	83	83	83	83	83	83	83	83	83	83
			Array Edge	83	83	77	83	81	75	83	79	73	83	77	71	83	75	69	82	73	67	79	70	63	75	66	60	72	63	56	69	60	52	67	57	49	64	53	46	62	51	44	59	48	42						
		30 to 45	Array Interior	91	91	91	91	91	91	91	91	91	91	91	91	91	91	88	91	91	85	91	90	78	91	84	73	91	78	68	90	74	64	85	69	60	80	66	57	76	62	54	72	59	51						
			Array Edge	91	91	87	91	91	83	91	91	79	91	87	76	91	83	72	91	80	69	90	74	64	84	69	60	78	64	56	74	60	52	69	57	49	66	54	46	62	51	44	59	48	42						
	D	0 to 7.5	Array Interior	95	92	88	95	91	86	95	89	85	94	88	83	93	87	82	91	85	80	89	82	77	87	80	74	84	77	71	82	75	69	80	72	66	78	70	62	76	67	59	74	65	56						
			Array Edge	92	86	81	91	84	79	89	83	77	88	81	76	87	79	74	85	78	72	82	75	69	80	72	65	77	69	61	75	66	57	72	64	54	70	61	51	67	59	48	65	57	46						
		7.5 to 15	Array Interior	97	92	88	96	91	86	95	89	84	94	87	82	93	86	81	91	84	79	89	81	76	86	78	73	84	76	70	81	73	67	79	70	64	76	68	62	74	66	59	72	63	57						
			Array Edge	92	86	80	91	84	78	89	82	76	87	80	74	86	78	72	84	76	70	81	73	67	78	70	64	81	73	67	73	64	58	70	62	55	68	59	52	66	57	49	63	54	47						
		15 to 30	Array Interior	86	86	85	86	86	83	86	86	81	86	85	78	86	83	76	86	81	74	86	77	70	83	74	67	80	70	63	77	67	60	74	64	56	71	61	53	69	58	50	66	55	48						
			Array Edge	86	82	76	86	80	73	86	78	71	85	76	69	83	73	67	81	71	64	77	68	60	74	64	56	70	60	52	67	56	49	64	53	46	61	50	43	58	47	41	55	45	39						
		30 to 45	Array Interior	94	94	94	94	94	94	94	94	90	94	94	86	94	94	83	94	91	79	94	84	73	94	78	68	89	73	64	84	69	60	79	65	56	75	61	53	71	58	50	67	55	48						
			Array Edge	94	94	82	94	89	78	94	85	74	94	81	71	94	78	68	91	75	65	84	69	60	78	64	56	73	60	52	69	56	49	65	53	46	61	50	43	58	47	41	55	45	39						

Maximum Rail Spans (Inches)			Everest Solar X80 Flush-Mount Dual Rail, Open Mono Slope Roof 30-60ft, 72 Cell(P) Rail Only																																										
Ground Snow Load	Exposure Category	Panel Angle	Wind Speed ->	95 mph		100 mph		105 mph		110 mph		115 mph		120 mph		130mph		140 mph		150 mph		160 mph		170 mph		180 mph		190 mph		200 mph															
			Roof Zone ->	1	2	3	1	2	3	1	2	3	1	2	3	1	2	3	1	2	3	1	2	3	1	2	3	1	2	3	1	2	3	1	2	3									
0 psf	B	0 to 7.5	Array Interior	139	123	109	135	118	103	131	113	98	128	108	93	124	104	89	120	100	85	112	93	78	105	87	72	98	82	67	93	77	63	88	72	59	83	69	56	79	65	53	75	62	50
		Array Edge	123	103	88	118	98	83	113	94	79	108	90	75	104	87	72	100	83	69	93	77	63	87	72	59	82	67	55	77	63	51	72	60	48	69	56	45	65	53	43	62	51	41	
		7.5 to 15	Array Interior	135	117	103	131	112	99	127	107	94	123	103	90	118	99	87	114	95	83	106	88	77	99	82	72	93	77	67	88	73	63	83	69	60	79	65	56	75	62	53	71	59	51
		Array Edge	117	98	86	112	93	82	107	89	78	103	85	75	99	82	72	95	79	69	88	73	64	82	68	59	77	64	55	73	60	52	69	56	49	65	53	46	62	50	44	59	48	42	
	15 to 30	Array Interior	120	100	88	115	95	83	110	91	80	105	87	76	101	84	73	97	80	70	90	75	65	84	69	60	79	65	56	74	61	53	70	57	50	66	54	47	63	52	45	60	49	42	
	Array Edge	100	83	72	95	79	69	91	75	66	87	72	63	84	69	60	80	66	58	75	61	53	69	57	49	65	53	46	61	50	43	57	47	41	54	44	39	52	42	36	49	40	35		
	30 to 45	Array Interior	121	101	88	116	96	84	111	92	80	106	88	77	102	84	73	98	81	70	91	75	65	85	70	61	79	65	57	74	61	53	70	58	50	66	54	47	63	52	45	60	49	43	
	Array Edge	101	83	73	96	79	69	92	76	66	88	72	63	84	69	60	81	66	58	75	61	53	70	57	50	65	53	46	61	50	43	58	47	41	54	45	39	52	42	37	49	40	35		
	C	0 to 7.5	Array Interior	128	108	93	124	104	88	119	99	84	114	95	80	110	91	76	105	88	73	98	81	67	92	76	62	86	71	58	81	67	54	76	63	51	72	60	48	69	56	45	65	54	43
		Array Edge	108	90	75	104	86	71	99	82	68	95	79	65	91	75	62	88	72	59	81	67	55	76	62	51	71	58	47	67	55	44	63	52	41	60	49	39	56	46	37	54	44	35	
		7.5 to 15	Array Interior	123	103	90	118	98	86	113	94	82	108	90	79	104	86	75	100	83	72	93	77	67	87	72	62	81	67	58	77	63	55	72	59	52	68	56	49	65	53	46	62	51	44
		Array Edge	103	85	75	98	81	71	94	78	68	90	74	65	86	71	62	83	68	60	77	63	55	72	59	51	67	55	48	63	52	45	59	49	42	56	46	40	53	44	38	51	41	36	
15 to 30	Array Interior	105	87	76	100	83	73	96	79	69	92	76	66	88	73	63	85	70	61	79	65	56	73	60	52	69	56	49	64	53	46	61	50	43	57	47	41	54	45	39	52	42	37		
Array Edge	87	72	63	83	69	60	79	65	57	76	62	54	73	60	52	70	57	50	65	53	46	60	49	43	56	46	40	53	43	37	50	41	35	47	38	33	45	36	31	42	35	30			
30 to 45	Array Interior	106	88	77	101	84	73	97	80	69	93	76	66	89	73	64	85	70	61	79	65	56	74	60	52	69	56	49	65	53	46	61	50	43	58	47	41	55	45	39	52	42	37		
Array Edge	88	72	63	84	69	60	80	66	57	76	63	54	73	60	52	70	58	50	65	53	46	60	49	43	56	46	40	53	43	37	50	41	35	47	38	33	44	35	30						
D	0 to 7.5	Array Interior	122	102	87	116	97	82	112	93	78	107	89	74	103	85	71	99	82	68	92	76	62	86	71	58	81	67	58	76	63	51	72	59	52	68	56	49	65	54	47	62	51	44	
	Array Edge	102	85	70	97	81	66	93	77	63	89	74	60	85	71	58	82	68	55	76	63	51	71	58	47	66	55	48	62	51	41	59	48	39	56	46	36	53	43	34	50	41	33		
	7.5 to 15	Array Interior	116	97	85	111	92	81	106	88	77	102	84	74	98	81	71	94	78	68	87	72	63	81	67	58	76	63	55	72	59	51	68	56	48	64	53	46	61	50	43	58	47	41	
	Array Edge	97	80	70	92	76	66	88	73	63	84	70	61	81	67	58	78	64	56	72	59	51	67	55	48	63	51	45	59	48	42	56	46	39	53	43	37	50	41	35	47	39	34		
15 to 30	Array Interior	99	82	71	94	78	68	90	74	65	86	71	62	83	68	59	79	65	57	74	60	52	68	56	49	64	53	46	60	49	43	57	46	40	54	44	38	51	42	36	48	39	34		
Array Edge	82	67	59	78	64	56	74	61	53	71	58	51	68	56	49	65	54	46	60	50	43	56	46	40	53	43	37	49	40	35	46	38	33	44	36	31	42	34	29	39	32	28			
30 to 45	Array Interior	100	82	72	95	78	68	91	75	65	87	71	62	83	68	59	80	66	57	74	60	52	69	56	49	64	53	46	60	49	43	57	47	41	54	44	38	51	42	36	48	40	34		
Array Edge	82	68	59	78	64	56	75	61	53	71	59	51	68	56	49	66	54	47	61	50	43	56	46	40	53	43	37	49	40	35	46	38	33	44	36	31	42	34	29	40	32	28			
5 psf	B	0 to 7.5	Array Interior	136	123	109	133	118	103	131	113	98	128	108	93	124	104	89	120	100	85	112	93	78	105	87	72	98	82	67	93	77	63	88	72	59	83	69	56	79	65	53	75	62	50
		Array Edge	123	103	88	118	98	83	113	94	79	108	90	75	104	87	72	100	83	69	93	77	63	87	72	59	82	67	55	77	63	51	72	60	48	69	56	45	65	53	43	62	51	41	
		7.5 to 15	Array Interior	134	117	103	131	112	99	127	107	94	123	103	90	118	99	87	114	95	83	106	88	77	99	82	72	93	77	67	88	73	63	83	69	60	79	65	56	75	62	53	71	59	51
		Array Edge	117	98	86	112	93	82	107	89	78	103	85	75	99	82	72	95	79	69	88	73	64	82	68	59	77	64	55	73	60	52	69	56	49	65	53	46	62	50	44	59	48	42	
	15 to 30	Array Interior	120	100	88	115	95	83	110	91	80	105	87	76	101	84	73	97	80	70	90	75	65	84	69	60	79	65	56	74	61	53	70	57	50	66	54	47	63	52	45	60	49	42	
	Array Edge	100	83	72	95	79	69	91	75	66	87	72	63	84	69	60	80	66	58	75	61	53	69	57	49	65	53	46	61	50	43	57	47	41	54	44	39	52	42	36	49	40	35		
	30 to 45	Array Interior	121	101	88	116	96	84	111	92	80	106	88	77	102	84	73	98	81	70	91	75	65	85	70	61	79	65	57	74	61	53	70	58	50	66	54	47	63	52	45	60	49	43	
	Array Edge	101	83	73	96	79	69	92	76	66	88	72	63	84	69	60	81	66	58	75	61	53	70	57	50	65	53	46	61	50	43	57	47	41	54	45	39	52	42	37	49	40	35		
	C	0 to 7.5	Array Interior	128	108	93	124	104	88	119	99	84	114	95	80	110	91	76	105	88	73	98	81	67	92	76	62	86	71	58	81	67	54	76	63	51	72	60	48	69	56	45	65	54	43
		Array Edge	108	90	75	104	86	71	99	82	68	95	79	65	91	75	62	88	72	59	81	67	55	76	62	51	71	58	47	67	55	44	63	52	41	60	49	39	56	46	37	54	44	35	
		7.5 to 15	Array Interior	123	103	90	118	98	86	113	94	82	108	90	79	104	86	75	100	83	72	93	77	67	87	72	62	81	67	58	77	63	55	72	59	52	68	56	49	65	53	46	62	51	44
		Array Edge	103	85	75	98	81	71	94	78	68																																		

Maximum Rail Spans (Inches)			Everest Solar X80 Flush-Mount Dual Rail, Open Mono Slope Roof 30-60ft, 72 Cell(P) Rail Only																																																
Ground Snow Load	Exposure Category	Panel Angle	Wind Speed ->		95 mph			100 mph			105 mph			110 mph			115 mph			120 mph			130mph			140 mph			150 mph			160 mph			170 mph			180 mph			190 mph			200 mph							
			Roof Zone ->		1	2	3	1	2	3	1	2	3	1	2	3	1	2	3	1	2	3	1	2	3	1	2	3	1	2	3	1	2	3	1	2	3	1	2	3	1	2	3	1	2	3					
15 psf	B	0 to 7.5	Array Interior	116	106	99	113	103	96	111	101	93	109	98	90	107	96	88	105	94	85	100	89	78	96	85	72	92	81	67	89	77	63	85	72	59	82	69	56	79	65	53	75	62	50						
			Array Edge	106	95	87	103	92	83	101	90	79	98	87	75	96	85	72	94	82	69	89	77	63	85	72	59	81	67	55	77	63	51	72	60	48	69	56	45	65	53	43	62	51	41						
		7.5 to 15	Array Interior	115	104	96	112	101	93	110	99	91	107	96	88	105	94	85	103	91	83	98	87	77	94	82	72	91	79	69	87	73	64	82	68	59	77	64	55	73	60	52	69	56	49	65	53	46	72	60	52
			Array Edge	104	93	85	101	90	82	110	99	87	96	84	75	94	82	72	91	79	69	87	73	64	82	68	59	77	64	55	73	60	52	69	56	49	65	53	46	72	60	54	62	50	44	59	48	42			
		15 to 30	Array Interior	115	100	88	113	95	83	109	91	80	105	87	76	101	84	73	97	80	70	90	75	65	84	69	60	79	65	56	74	61	53	70	57	50	66	54	47	63	52	45	60	49	42						
			Array Edge	100	83	72	95	79	69	91	75	66	87	72	63	84	69	60	80	66	58	75	61	53	69	57	49	65	53	46	61	50	43	57	47	41	54	44	39	52	42	36	49	40	35						
	30 to 45	Array Interior	118	101	88	116	96	84	111	92	80	106	88	77	102	84	73	98	81	70	91	75	65	85	70	61	91	75	65	85	70	61	79	65	57	74	61	53	70	58	50	66	54	47	63	52	45	60	49	43	
		Array Edge	101	83	73	96	79	69	92	76	66	88	72	63	84	69	60	81	66	58	75	61	53	70	57	50	65	53	46	61	50	43	58	47	41	54	45	39	52	42	37	49	40	35							
	C	0 to 7.5	Array Interior	109	98	90	106	96	88	104	93	84	101	90	80	99	88	76	97	85	73	92	81	67	88	76	62	84	71	58	81	67	54	76	63	51	72	60	48	69	56	45	65	54	43						
			Array Edge	98	87	75	96	84	71	93	81	68	90	79	65	88	75	62	85	72	59	81	67	55	76	62	51	71	58	47	67	55	44	63	52	41	60	49	39	56	46	37	54	44	35						
		7.5 to 15	Array Interior	107	96	88	105	93	85	102	90	82	99	88	79	97	85	75	94	83	72	90	77	67	85	72	62	81	67	58	77	63	55	72	59	52	68	56	49	65	53	46	62	51	44						
			Array Edge	96	84	75	93	81	71	90	78	68	88	74	65	85	71	62	83	68	60	77	63	55	72	59	51	67	55	48	63	52	45	59	49	42	56	46	40	53	44	38	51	41	36						
15 to 30		Array Interior	105	87	76	100	83	73	96	79	69	92	76	66	88	73	63	85	70	61	79	65	56	73	60	52	69	56	49	64	53	46	61	50	43	57	47	41	54	45	39	52	42	37							
		Array Edge	87	72	63	83	69	60	79	65	57	76	62	54	73	60	52	70	57	50	65	53	46	60	49	43	56	46	40	53	43	37	50	41	35	47	38	33	45	36	31	42	35	30							
30 to 45	Array Interior	106	88	77	101	84	73	97	80	69	93	76	66	89	73	64	85	70	61	79	65	56	74	60	52	69	56	49	65	53	46	61	50	43	58	47	41	55	45	39	52	42	37								
	Array Edge	88	72	63	84	69	60	80	66	57	76	63	54	70	58	50	70	58	50	65	53	46	60	49	43	56	46	40	53	43	37	50	41	35	47	38	33	45	36	32	42	35	30								
D	0 to 7.5	Array Interior	105	95	87	103	92	82	100	89	78	98	86	74	95	84	71	93	81	68	88	76	62	84	71	58	80	67	54	76	62	51	72	59	47	68	56	45	64	53	42	61	50	40							
		Array Edge	95	83	70	92	80	66	89	77	63	86	74	60	84	71	58	81	68	55	78	63	51	71	58	47	66	55	44	62	51	41	59	48	39	56	46	36	53	43	34	50	41	33							
	7.5 to 15	Array Interior	104	92	84	101	89	81	98	86	77	95	84	74	93	81	71	90	78	68	86	72	63	81	67	58	76	63	55	72	59	51	68	56	48	64	53	46	61	50	43	58	47	41							
		Array Edge	92	80	70	89	76	66	86	73	63	84	70	61	81	67	58	78	64	56	72	59	51	67	55	48	63	51	45	59	48	42	56	46	39	53	43	37	50	41	35	47	39	34							
	15 to 30	Array Interior	99	82	71	94	78	68	90	74	65	86	71	62	83	68	59	79	65	57	74	60	52	68	56	49	74	60	52	68	56	49	60	49	43	57	46	40	54	44	38	51	42	36	48	39	34				
		Array Edge	82	67	59	78	64	56	74	61	53	71	58	51	68	56	49	65	54	46	60	50	43	56	46	40	53	43	37	49	40	35	46	38	33	44	36	31	42	34	29	39	32	28							
30 to 45	Array Interior	100	82	72	95	78	68	91	75	65	87	71	62	83	68	59	80	66	57	74	61	53	69	56	49	70	57	50	64	53	46	60	49	43	57	47	40	54	44	38	51	42	36	48	40	34					
	Array Edge	82	68	59	78	64	56	75	61	53	71	59	51	68	56	49	66	54	47	61	50	43	56	46	40	53	43	37	49	40	35	47	38	33	44	36	31	42	34	29	39	32	28								
20 psf	B	0 to 7.5	Array Interior	107	99	93	105	97	91	103	95	88	102	93	86	100	91	84	98	89	82	95	85	78	91	81	72	88	78	67	85	75	63	82	72	59	79	69	56	76	65	53	74	62	50						
			Array Edge	99	90	83	97	88	81	95	86	78	93	83	75	91	81	72	89	79	69	85	75	63	81	71	59	78	67	55	75	63	51	72	60	48	69	56	45	65	53	43	62	51	41						
		7.5 to 15	Array Interior	107	98	91	105	96	89	103	94	86	101	91	84	99	89	82	97	87	80	93	83	76	89	79	72	86	76	67	83	72	63	80	69	60	77	65	56	74	62	53	71	59	51						
			Array Edge	98	89	81	96	86	79	94	84	76	91	81	74	89	79	71	87	77	69	83	73	64	79	68	59	76	64	55	72	60	52	69	56	49	65	53	46	62	50	44	59	48	42						
		15 to 30	Array Interior	108	98	88	108	95	83	105	91	80	102	87	76	99	84	73	96	80	70	90	75	65	84	69	60	79	65	56	74	61	53	70	57	50	66	54	47	63	52	45	60	49	42						
			Array Edge	98	83	72	95	79	69	91	75	66	87	72	63	84	69	60	80	66	58	75	61	53	69	57	49	65	53	46	61	50	43	57	47	41	54	44	39	52	42	36	49	40	35						
	30 to 45	Array Interior	113	101	88	113	96	84	111	92	80	106	88	77	102	84	73	98	81	70	91	75	65	85	70	61	79	65	57	74	61	53	70	58	50	66	54	47	63	52	45	60	49	43							
		Array Edge	101	83	73	96	79	69	92	76	66	88	72	63	84	69	60	81	66	58	70	57	50	65	53	46	61	50	43	58	47	41	54	45	39	52	42	37	49	40	35										
	C	0 to 7.5	Array Interior	102	93	86	100	91	84	98	88	81	96	86	79	94	84	76	92	82	73	88	78	67	84	74	62	81	71	58	78	67	54	74	63	51	72	60	48	69	56	45	65	54	43						
			Array Edge	93	83	75	91	81	71	88	78	68	86	76	65	84	74	62	82	72	59	78	67	55	74	62	51	71	58	47	67	55	44	63	52	41	60	49	39	56	46	37	54	44	35						
		7.5 to 15	Array Interior	101	91	84	98	89	82	96	86	79	94	84	77	92	82	74	90	80	72	86	75	67	82	72	62	78	67	58	75	63	55	72	59	52	68	56	49	65	53	46	62	51	44						
			Array Edge	91	81	74	89	78	71	86	76	68	84	74	65	82	71	62	80	68	60	75	63	55	72	59	51	67	55	48	63	52	45	59	49	42	56	46	40	53	44	38	51	41	36						
15 to 30		Array Interior	102	87	76	99	83	73																																											

Maximum Rail Spans (Inches)			Everest Solar X80 Flush-Mount Dual Rail, Open Mono Slope Roof 30-60ft, 72 Cell(P) Rail Only																																															
Ground Snow Load	Exposure Category	Panel Angle	Wind Speed ->	95 mph			100 mph			105 mph			110 mph			115 mph			120 mph			130mph			140 mph			150 mph			160 mph			170 mph			180 mph			190 mph			200 mph							
			Roof Zone ->	1	2	3	1	2	3	1	2	3	1	2	3	1	2	3	1	2	3	1	2	3	1	2	3	1	2	3	1	2	3	1	2	3	1	2	3	1	2	3	1	2	3					
30 psf	B	0 to 7.5	Array Interior	106	98	92	104	96	90	102	94	88	101	92	86	99	90	83	97	88	81	94	84	77	90	81	72	87	78	67	84	74	63	81	71	59	79	68	56	76	65	53	73	62	50					
		Array Edge	98	90	83	96	87	80	94	85	78	92	83	75	90	81	72	88	79	69	84	75	63	81	71	59	78	67	55	74	63	51	71	60	48	68	56	45	65	53	43	62	51	41						
		7.5 to 15	Array Interior	106	97	91	104	95	88	102	93	86	100	91	84	98	88	81	96	86	79	92	82	75	89	79	71	85	75	67	82	72	63	79	69	60	76	65	56	73	62	53	71	59	51					
		Array Edge	97	88	81	95	85	78	93	83	76	91	81	73	88	78	71	86	76	69	92	82	72	86	76	69	79	68	59	75	64	55	72	60	52	69	56	49	65	53	46	62	50	44	59	48	42			
	15 to 30	Array Interior	96	93	85	96	90	82	96	87	79	96	85	76	93	82	73	91	80	70	87	75	65	82	69	60	79	65	56	74	61	53	70	57	50	66	54	47	63	52	45	60	49	42						
	Array Edge	93	81	72	90	79	69	87	75	66	85	72	63	82	69	60	80	66	58	75	61	53	69	57	49	65	53	46	61	50	43	57	47	41	54	44	39	52	42	36	49	40	35							
	30 to 45	Array Interior	103	101	88	103	96	84	103	92	80	103	88	77	102	84	73	98	81	70	91	75	65	85	70	61	91	75	65	85	70	61	79	65	57	74	61	53	70	58	50	66	54	47	63	52	45	60	49	43
	Array Edge	101	83	73	96	79	69	92	76	66	88	72	63	84	69	60	81	66	58	75	61	53	70	57	50	65	53	46	61	50	43	58	47	41	54	45	39	52	42	37	49	40	35							
	C	0 to 7.5	Array Interior	101	92	86	99	90	83	97	88	81	95	85	78	93	83	76	91	81	73	87	77	67	84	74	62	80	70	58	77	67	54	74	63	51	71	60	48	69	56	45	65	54	43					
		Array Edge	92	83	75	90	80	71	88	78	68	85	76	65	83	73	62	81	71	59	77	67	55	74	62	51	70	58	47	67	55	44	63	52	41	60	49	39	56	46	37	54	44	35						
		7.5 to 15	Array Interior	100	91	84	98	88	81	95	86	79	93	83	76	91	81	74	89	79	72	85	75	67	82	71	62	78	67	58	75	63	55	72	59	52	68	56	49	65	53	46	62	51	44					
		Array Edge	91	81	73	88	78	71	86	76	68	83	73	65	81	71	62	79	68	60	75	63	55	71	59	51	67	55	48	63	52	45	59	49	42	56	46	40	53	44	38	51	41	36						
15 to 30	Array Interior	96	85	76	93	82	73	90	79	69	88	76	66	85	73	63	83	70	61	78	65	56	73	60	52	69	56	49	64	53	46	61	50	43	57	47	41	54	45	39	52	42	37							
Array Edge	85	72	63	82	69	60	79	65	57	76	62	54	73	60	52	70	57	50	65	53	46	60	49	43	56	46	40	53	43	37	50	41	35	47	38	33	45	36	31	42	35	30								
30 to 45	Array Interior	103	88	77	101	84	73	97	80	69	93	76	66	89	73	64	85	70	61	79	65	56	74	60	52	69	56	49	65	53	46	61	50	43	58	47	41	55	45	39	52	42	37							
Array Edge	88	72	63	84	69	60	80	66	57	76	63	54	73	60	52	70	58	50	65	53	46	60	49	43	56	46	40	53	43	37	50	41	35	47	38	33	45	36	32	42	35	30								
D	0 to 7.5	Array Interior	99	90	83	97	87	80	94	85	78	92	83	74	90	80	71	88	78	68	84	74	62	81	71	58	77	67	54	74	62	51	71	59	47	68	56	45	64	53	42	61	50	40						
	Array Edge	90	80	70	87	77	66	85	75	63	83	72	60	80	70	58	78	68	55	74	63	51	71	58	47	66	55	44	62	51	41	59	48	39	56	46	36	53	43	34	50	41	33							
	7.5 to 15	Array Interior	98	88	81	95	85	78	93	83	75	91	80	73	88	78	71	86	76	68	82	72	63	78	67	58	75	65	57	72	59	51	68	56	48	64	53	46	61	50	43	58	47	41						
	Array Edge	88	78	70	85	75	66	83	72	63	80	70	61	78	67	58	76	64	56	72	59	51	67	55	48	63	53	45	59	48	42	56	46	40	53	43	37	50	41	35	47	39	34							
15 to 30	Array Interior	94	82	71	91	78	68	88	74	63	85	71	62	83	68	59	79	65	57	74	60	52	68	56	49	64	53	46	60	49	43	57	46	40	54	44	38	51	42	36	48	39	34							
Array Edge	82	67	59	78	64	56	74	61	53	71	58	51	68	56	49	65	54	46	60	50	43	56	46	40	53	46	40	53	43	37	49	40	35	46	38	33	44	36	31	42	34	29	39	32	28					
30 to 45	Array Interior	100	82	72	95	78	68	91	75	65	87	71	62	81	68	59	80	66	57	74	61	53	69	56	49	64	53	46	60	49	43	57	47	40	54	44	38	51	42	36	48	40	34							
Array Edge	82	68	59	78	64	56	75	61	53	71	59	51	68	56	49	66	54	47	61	50	43	56	46	40	53	46	40	53	43	37	49	40	35	44	36	31	42	34	29	40	32	28								
35 psf	B	0 to 7.5	Array Interior	101	95	89	100	93	87	98	91	85	97	89	83	98	87	81	93	85	79	90	82	76	87	79	72	85	76	67	82	73	63	79	70	63	77	67	56	74	65	53	72	62	50					
		Array Edge	95	87	81	93	85	78	91	82	76	89	80	74	87	78	72	85	77	69	82	73	63	79	69	59	76	66	55	73	63	51	70	60	48	67	56	45	65	53	43	62	51	41						
		7.5 to 15	Array Interior	101	94	88	99	92	86	98	90	83	96	88	81	94	86	79	93	84	77	89	80	73	86	77	70	83	74	67	80	70	63	77	68	60	74	65	56	72	62	53	69	59	51					
		Array Edge	94	85	79	92	83	76	90	81	74	88	79	72	86	76	70	84	74	68	80	71	64	77	67	59	74	64	55	70	60	52	68	58	49	65	53	46	62	50	44	59	48	42						
	15 to 30	Array Interior	92	90	83	92	88	80	92	85	78	92	83	75	91	80	73	89	78	70	85	74	65	81	69	60	77	65	56	74	61	53	70	57	50	66	54	47	63	52	45	60	49	42						
	Array Edge	90	80	72	88	77	69	85	75	66	83	72	63	80	69	60	78	66	58	74	61	53	69	57	49	65	53	46	61	50	43	57	47	41	54	44	39	52	42	36	49	40	35							
	30 to 45	Array Interior	99	99	88	99	96	84	99	92	80	99	88	77	99	84	73	98	81	70	91	75	65	85	70	61	79	65	57	74	61	53	70	58	50	66	54	47	63	52	45	60	49	43						
	Array Edge	99	83	73	96	79	69	92	76	66	88	72	63	84	69	60	81	66	58	75	61	53	70	57	50	65	53	46	61	50	43	58	47	41	54	45	39	52	42	37	49	40	35							
	C	0 to 7.5	Array Interior	97	89	83	95	87	81	93	85	79	91	83	76	89	81	74	88	79	72	84	75	67	81	72	62	78	69	58	75	66	54	72	63	51	70	60	48	67	56	45	65	54	43					
		Array Edge	89	80	74	87	78	71	85	76	68	83	74	65	81	72	62	79	70	59	75	66	55	72	62	51	69	58	47	66	55	44	63	52	41	60	49	39	56	46	37	54	44	35						
		7.5 to 15	Array Interior	96	88	81	94	85	79	92	83	77	90	81	74	88	79	72	86	77	70	83	73	67	79	70	62	76	67	58	73	63	55	70	59	52	68	56	49	65	53	46	62	51	44					
		Array Edge	88	79	72	85	76	69	83	74	67	81	72	65	79	70	62	77	68	60	73	63	55	70	59	51	67	55	48	63	52	45	59	49	42	56	46	40	53	44	38	51	41	36						
15 to 30	Array Interior	92	83	75	91	80	72	88	77	69	86	75	66	83	73	63	81	70	61	77	65	56	73	60	52																									

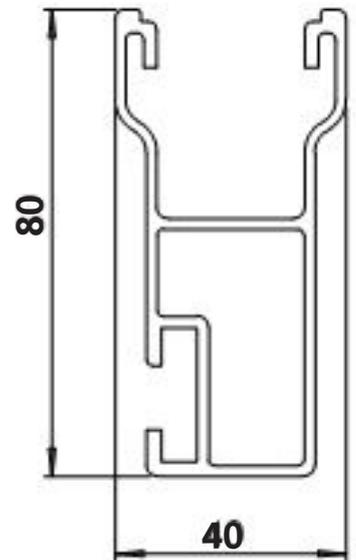
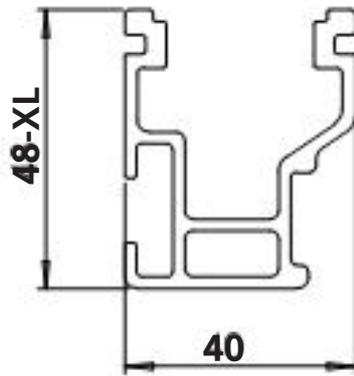
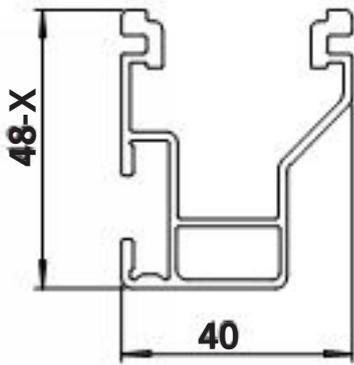
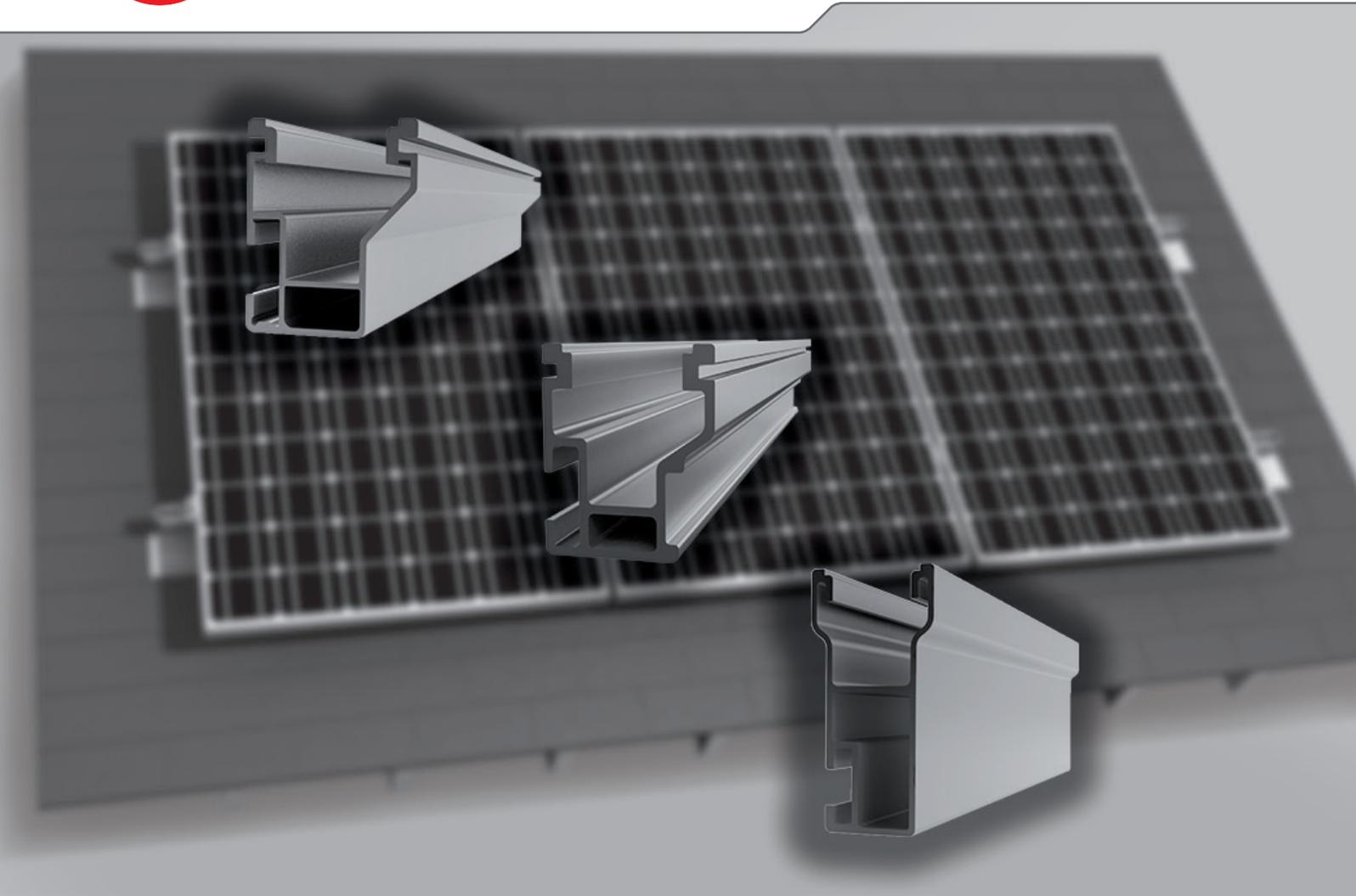
Maximum Rail Spans (Inches)			Everest Solar X80 Flush-Mount Dual Rail, Open Mono Slope Roof 30-60ft, 72 Cell(P) Rail Only																																													
Ground Snow Load	Exposure Category	Panel Angle	Wind Speed ->	95 mph			100 mph			105 mph			110 mph			115 mph			120 mph			130mph			140 mph			150 mph			160 mph			170 mph			180 mph			190 mph			200 mph					
			Roof Zone ->	1	2	3	1	2	3	1	2	3	1	2	3	1	2	3	1	2	3	1	2	3	1	2	3	1	2	3	1	2	3	1	2	3	1	2	3	1	2	3	1	2	3			
45 psf	B	0 to 7.5	Array Interior	93	88	84	92	87	82	91	85	80	90	84	78	88	82	77	87	81	75	85	78	72	82	75	69	80	72	66	77	70	63	75	67	59	73	65	56	71	62	53	69	60	50			
			Array Edge	88	82	76	87	80	74	85	78	73	84	76	71	82	75	69	81	73	67	79	71	65	78	70	62	73	65	59	70	62	55	68	59	52	65	56	49	63	53	46	60	50	41			
		7.5 to 15	Array Interior	94	88	83	92	86	81	91	84	79	89	83	77	88	81	75	87	79	74	84	76	70	81	73	67	79	70	64	76	68	62	74	65	59	71	63	56	69	60	53	67	58	51			
			Array Edge	88	81	75	86	79	73	81	74	71	83	75	69	81	73	67	79	71	65	76	68	62	73	65	59	70	62	55	68	59	52	65	56	49	63	53	46	60	50	44	58	48	42			
	15 to 30	Array Interior	85	85	79	85	84	77	85	81	75	85	79	73	85	77	70	84	75	68	81	71	65	77	68	60	74	65	56	71	61	53	68	57	50	66	54	47	63	52	45	60	49	42				
		Array Edge	85	77	70	84	74	67	81	72	65	79	70	63	77	68	60	75	66	58	71	61	53	68	57	49	64	55	46	61	50	43	57	47	41	54	44	39	52	42	36	49	40	35				
	30 to 45	Array Interior	92	92	88	92	92	84	92	92	80	92	88	77	92	84	73	92	81	70	91	75	65	85	70	61	79	65	57	74	61	53	70	58	50	66	54	47	63	52	45	60	49	43				
		Array Edge	92	83	73	92	79	69	92	76	66	88	72	63	84	69	60	81	66	58	75	61	53	70	57	50	65	53	46	61	50	43	58	47	41	54	45	39	52	42	37	49	40	35				
	C	0 to 7.5	Array Interior	90	84	78	88	82	77	87	80	75	85	78	73	84	77	71	82	75	69	80	72	66	77	69	62	74	66	58	72	63	54	69	61	51	67	59	48	65	56	45	63	54	43			
			Array Edge	84	76	71	82	74	69	80	72	67	88	71	65	77	69	62	75	67	59	72	64	55	69	61	51	66	58	47	63	55	44	58	47	41	59	49	39	56	46	37	54	44	35			
		7.5 to 15	Array Interior	89	83	77	88	81	75	86	79	73	85	77	71	83	75	69	82	74	68	72	64	58	70	60	54	76	67	61	73	64	58	70	62	55	68	59	48	65	56	49	63	53	46	61	51	44
			Array Edge	83	75	69	81	73	67	79	71	65	77	69	63	75	67	61	74	65	59	70	62	55	67	59	51	64	55	48	62	52	45	59	49	42	56	46	40	53	44	38	51	41	36			
15 to 30	Array Interior	85	79	73	85	77	70	84	75	68	82	72	66	80	70	63	78	68	61	74	65	56	71	60	52	67	56	49	64	53	46	61	50	43	57	47	41	54	45	39	52	42	37					
	Array Edge	79	70	63	77	67	60	75	65	57	72	62	54	70	60	52	68	57	50	65	53	46	60	49	43	56	46	40	53	43	37	50	41	35	47	38	33	45	36	31	42	35	30					
30 to 45	Array Interior	92	88	77	92	84	73	92	80	69	92	76	66	89	73	64	85	70	61	79	65	56	74	60	52	69	56	49	65	53	46	61	50	43	58	47	41	55	45	39	52	42	37					
	Array Edge	88	72	63	84	69	60	80	66	57	76	63	54	73	60	52	70	58	50	65	53	46	60	49	43	56	46	40	53	43	37	50	41	35	47	38	33	45	36	32	42	35	30					
D	0 to 7.5	Array Interior	91	84	78	89	82	76	87	80	74	86	78	72	84	76	70	82	74	68	79	71	62	76	67	58	73	64	54	70	62	51	68	59	47	65	56	45	63	53	42	61	50	40				
		Array Edge	84	75	69	82	73	66	80	71	63	78	69	60	74	65	58	74	65	55	67	58	47	63	55	44	62	51	41	59	48	39	56	46	36	53	43	34	50	41	33							
	7.5 to 15	Array Interior	90	82	76	88	80	74	86	78	72	85	76	70	83	74	68	81	72	66	78	69	62	74	65	58	71	62	55	68	59	51	65	55	48	62	51	45	59	48	42	61	50	43				
		Array Edge	82	74	67	80	71	65	78	69	63	76	67	61	74	65	58	72	63	56	69	59	51	65	55	48	62	51	45	59	48	42	56	46	39	53	43	37	50	41	35	47	39	34				
15 to 30	Array Interior	87	77	70	85	75	68	83	73	65	80	70	62	78	68	59	76	65	57	72	60	52	68	56	49	62	50	43	56	46	40	53	43	37	49	40	35	46	38	33	44	36	31					
	Array Edge	77	67	59	75	64	56	73	61	53	70	58	51	68	56	49	65	54	46	60	50	43	56	46	40	53	43	37	49	40	35	46	38	33	44	36	31	42	34	29	39	32	28					
30 to 45	Array Interior	95	82	72	95	78	68	91	75	65	87	71	62	83	68	59	80	66	57	74	61	53	69	56	49	64	53	46	60	49	43	57	47	40	54	44	38	51	42	36	48	40	34					
	Array Edge	82	68	59	78	64	56	75	61	53	71	59	51	68	56	49	66	54	47	61	50	43	56	46	40	53	43	37	49	40	35	47	38	33	44	36	31	42	34	29	40	32	28					
50 psf	B	0 to 7.5	Array Interior	90	85	81	89	84	80	88	83	78	87	81	76	86	80	75	84	78	73	82	76	71	80	73	68	78	71	65	76	68	63	73	65	59	68	60	51	66	58	48	64	56	45	61	53	43
			Array Edge	85	79	75	84	78	73	83	76	71	81	74	69	80	73	67	78	71	66	76	68	63	73	65	59	71	63	55	68	60	51	66	58	48	64	56	45	61	53	43	59	51	41			
		7.5 to 15	Array Interior	90	85	81	89	84	79	88	82	77	87	80	75	85	79	74	84	77	72	82	75	69	79	72	66	77	70	64	75	67	61	72	64	58	69	61	55	67	58	52	64	56	49	62	56	46
			Array Edge	85	79	73	84	77	71	82	75	69	80	73	68	79	72	66	77	70	64	75	67	61	72	64	58	69	61	55	67	58	52	64	56	49	62	56	49	62	53	46	60	50	44			
	15 to 30	Array Interior	82	82	78	82	82	76	82	80	73	82	78	71	82	76	69	82	74	67	79	70	64	76	67	60	73	64	56	70	61	53	67	57	50	65	54	47	62	52	45	60	49	42				
		Array Edge	82	75	69	82	73	66	80	71	64	78	69	62	76	67	60	74	65	58	67	57	49	64	53	46	61	50	43	57	47	41	54	44	39	52	42	36	49	40	35							
	30 to 45	Array Interior	90	90	88	90	90	84	90	90	80	90	88	77	90	84	73	90	81	70	90	75	65	85	70	61	79	65	57	74	61	53	70	58	50	66	54	47	63	52	45	60	49	43				
		Array Edge	90	83	73	90	79	69	90	76	66	88	72	63	90	84	69	60	81	66	58	70	57	50	65	53	46	61	50	43	58	47	41	54	45	39	52	42	37	49	40	35						
	C	0 to 7.5	Array Interior	87	81	76	85	80	75	84	78	73	83	76	71	81	75	70	80	73	68	78	70	65	75	68	62	73	65	58	70	62	54	68	60	51	66	58	48	64	56	45	62	54	43			
			Array Edge	81	74	69	80	73	67	78	71	65	76	69	64	75	67	62	73	66	59	70	63	55	68	60	51	65	57	47	62	54	44	60	52	41	58	49	39	56	46	37	54	44	35			
		7.5 to 15	Array Interior	87	80	75	85	79	74	84	77	72	82	75	70	81	74	68	79	72	66	77	69	63	74	66	60	71	63	57	69	61	55	66	58	52	64	56	49	62	53	46	60	51	44			
			Array Edge	80	73	68	79	71	66	77	69	64	75	68	62	74	66	60	72	64	58	69	61	55	66	58	51	63	55	48	61	52	45	58	49	42	56	46	40	53	44	38	51	41	36			
15 to 30	Array Interior	82	78	71	82	75	69	82	73	67	80	71	65	78	69	63	76	67	61	73	64	56	69	60	52	66	56	49	63	53	46	61	50	43	57	47												

Maximum Rail Spans (Inches)			Everest Solar X80 Flush-Mount Dual Rail, Open Mono Slope Roof 30-60ft, 72 Cell(P) Rail Only																																													
Ground Snow Load	Exposure Category	Panel Angle	Wind Speed ->	95 mph		100 mph		105 mph		110 mph		115 mph		120 mph		130mph		140 mph		150 mph		160 mph		170 mph		180 mph		190 mph		200 mph																		
			Roof Zone ->	1	2	3	1	2	3	1	2	3	1	2	3	1	2	3	1	2	3	1	2	3	1	2	3	1	2	3	1	2	3	1	2	3												
70 psf	B	0 to 7.5	Array Interior	77	76	73	77	75	72	77	74	71	77	73	70	77	72	69	76	71	67	74	69	65	72	67	63	71	65	61	69	63	59	67	61	57	66	60	55	64	58	53	63	56	50	61	55	49
			Array Edge	76	72	68	75	71	67	74	69	65	73	68	64	72	67	63	71	66	61	69	63	59	67	61	56	65	59	54	63	57	51	61	55	48	60	53	45	58	51	43	56	49	41			
		7.5 to 15	Array Interior	79	77	73	79	75	72	79	74	71	78	73	69	77	72	68	76	71	67	74	69	64	72	66	62	70	64	60	68	62	57	67	60	55	65	58	53	63	56	51	61	55	50	60	53	45
			Array Edge	77	72	68	75	70	66	74	69	65	73	68	63	72	66	62	71	65	60	69	62	57	66	60	55	64	58	53	62	55	50	60	53	48	58	51	46	56	49	44	55	48	42			
		15 to 30	Array Interior	74	74	72	74	74	70	74	74	69	74	72	67	74	71	65	74	69	64	73	66	61	71	63	58	68	61	55	66	58	53	64	56	50	61	54	47	59	52	45	57	49	42	55	47	40
			Array Edge	74	70	65	74	68	63	74	66	61	72	65	59	71	63	58	69	61	56	66	58	53	63	55	49	61	53	48	58	50	43	56	47	41	54	44	39	52	42	36	49	40	35			
	30 to 45	Array Interior	81	81	81	81	81	81	81	81	80	81	81	77	81	81	73	81	80	70	81	80	70	81	75	65	81	70	61	79	65	57	74	61	53	70	58	50	66	54	47	63	52	45	60	49	43	
		Array Edge	81	81	73	81	79	69	81	76	66	81	72	63	81	69	60	80	66	58	75	61	53	70	57	50	65	53	46	61	50	43	58	47	41	54	45	39	52	42	37	49	40	35				
	C	0 to 7.5	Array Interior	77	73	70	76	72	68	75	71	67	74	70	66	74	69	64	73	67	63	71	65	61	69	63	58	67	61	57	65	59	54	63	57	51	61	55	48	60	53	45	58	51	43	56	49	41
			Array Edge	73	68	64	72	67	63	71	65	61	70	64	59	69	63	58	67	61	57	65	59	54	63	56	51	61	54	47	59	52	44	57	50	41	55	48	39	53	46	37	51	44	35			
		7.5 to 15	Array Interior	78	73	69	77	72	68	76	70	66	74	69	65	73	68	63	72	67	62	70	64	59	68	62	57	66	59	54	64	57	52	62	55	50	60	53	48	58	51	46	57	49	44			
			Array Edge	73	68	63	72	66	61	70	64	60	69	63	58	68	62	57	67	60	55	64	57	52	62	55	50	59	52	47	57	50	45	55	48	42	53	46	40	51	44	38	49	41	36			
15 to 30		Array Interior	74	72	67	74	70	65	74	69	63	74	67	61	73	65	60	71	64	58	68	60	55	65	58	52	63	55	49	60	52	46	58	50	43	56	47	41	54	45	39	52	42	37	50	41	35	
		Array Edge	72	65	59	70	63	57	69	61	55	67	59	54	65	57	52	64	56	50	60	53	46	58	49	43	55	46	40	52	43	37	50	40	35	48	38	33	45	36	31	42	35	30				
30 to 45	Array Interior	81	81	77	81	81	73	81	80	69	81	76	66	81	73	64	81	70	61	79	65	56	74	60	52	69	56	49	65	53	46	61	50	43	58	47	41	55	45	39	52	42	37	49	40	35		
	Array Edge	81	72	63	81	69	60	80	66	57	76	63	54	73	60	52	70	58	50	65	53	46	60	49	43	56	46	40	53	43	37	50	41	35	47	38	33	44	35	30	42	35	30					
D	0 to 7.5	Array Interior	79	74	70	78	73	69	77	71	67	76	70	65	75	69	64	73	67	63	71	65	60	69	62	57	67	61	55	65	58	51	62	55	47	60	53	44	58	50	41	55	48	39	53	46	34	
		Array Edge	74	68	64	73	67	62	71	65	60	70	64	59	69	62	57	67	61	55	65	58	51	62	55	47	60	53	44	58	50	41	55	48	39	53	46	36	51	43	34	50	41	33				
	7.5 to 15	Array Interior	79	74	69	78	72	68	77	71	66	75	69	64	74	68	63	73	66	61	70	63	58	68	61	56	66	58	53	63	56	51	61	54	48	59	52	46	57	50	43	55	47	41	54	47	41	
		Array Edge	74	67	62	72	66	60	71	64	59	69	62	57	68	61	55	66	59	54	63	56	51	61	53	48	58	51	45	56	48	42	54	46	39	52	43	37	50	41	35	47	39	34				
	15 to 30	Array Interior	77	71	66	77	69	64	75	68	62	74	66	60	72	64	58	70	62	56	67	59	52	64	56	49	61	53	46	58	49	43	56	46	40	53	43	37	50	40	35	48	38	33	45	36	31	
		Array Edge	71	63	57	69	61	55	68	59	53	66	57	51	64	56	49	62	54	46	59	50	43	56	46	40	53	43	37	49	40	35	46	38	33	44	36	31	42	34	29	39	32	28				
30 to 45	Array Interior	84	82	72	84	78	68	84	75	65	84	71	62	83	68	59	80	66	57	78	61	53	69	56	49	64	53	46	60	49	43	57	47	40	54	44	38	51	42	36	48	40	34					
	Array Edge	82	68	59	78	64	56	75	61	53	71	59	51	68	56	49	66	54	47	61	50	43	56	46	40	53	43	37	49	40	35	47	38	33	44	36	31	42	34	29	40	32	28					
80 psf	B	0 to 7.5	Array Interior	72	72	70	72	72	69	72	70	67	72	70	67	72	68	65	71	66	63	69	65	61	68	63	59	66	61	57	65	59	55	63	57	53	61	55	51	59	53	48	58	52	45	56	50	43
			Array Edge	72	69	66	72	68	64	71	67	63	70	66	62	69	65	61	68	63	59	66	61	57	65	59	55	63	57	53	61	55	51	59	53	48	58	52	45	56	50	43	55	48	41			
		7.5 to 15	Array Interior	74	73	70	74	72	69	74	71	68	74	70	67	73	69	66	73	68	64	71	66	62	69	64	60	68	62	58	66	60	56	64	58	54	62	56	51	60	54	49	58	52	47	57	50	45
			Array Edge	73	69	65	72	68	64	71	66	62	70	65	61	69	64	60	68	63	58	66	60	56	64	58	54	62	56	51	60	54	49	58	52	47	57	50	45	55	48	44	53	47	42			
		15 to 30	Array Interior	71	71	70	71	71	68	71	71	67	71	70	65	71	68	64	71	67	62	71	64	59	69	62	57	66	59	54	64	57	52	62	55	49	60	53	47	58	51	45	56	49	42	54	47	41
			Array Edge	71	68	63	71	66	61	71	65	60	70	63	58	68	61	56	67	60	55	64	57	52	62	54	49	59	52	46	57	50	44	55	47	41	53	44	39	51	42	36	49	40	35			
	30 to 45	Array Interior	78	78	78	78	78	78	78	78	78	78	78	76	78	78	73	78	78	70	78	75	65	78	70	61	78	65	57	74	61	53	70	58	50	66	54	47	63	52	45	60	49	43				
		Array Edge	78	78	73	78	78	69	78	75	66	78	72	63	78	69	60	78	66	58	75	61	53	70	57	50	65	53	46	61	50	43	58	47	41	54	45	39	52	42	37	49	40	35				
	C	0 to 7.5	Array Interior	72	70	67	72	69	66	72	68	65	71	67	63	70	66	62	69	65	61	68	63	59	66	61	57	64	59	54	63	57	52	61	55	51	59	53	48	58	52	45	56	50	43			
			Array Edge	70	66	62	69	64	61	68	63	59	67	62	58	66	61	56	65	59	55	63	57	53	61	55	50	59	53	47	57	51	44	55	49	41	53	47	39	52	45	37	50	44	35			
		7.5 to 15	Array Interior	74	70	67	73	69	65	72	68	64	71	67	63	70	65	61	69	64	60	68	62	58	66	60	55	6																				

Maximum Rail Spans (Inches)			Everest Solar X80 Flush-Mount Dual Rail, Open Mono Slope Roof 30-60ft, 72 Cell(P) Rail Only																																															
Ground Snow Load	Exposure Category	Panel Angle	Wind Speed ->																																															
			95 mph			100 mph			105 mph			110 mph			115 mph			120 mph			130mph			140 mph			150 mph			160 mph			170 mph			180 mph			190 mph			200 mph								
			Roof Zone ->																																															
			1	2	3	1	2	3	1	2	3	1	2	3	1	2	3	1	2	3	1	2	3	1	2	3	1	2	3	1	2	3	1	2	3	1	2	3	1	2	3	1	2	3	1	2	3	1	2	3
100 psf	B	0 to 7.5	Array Interior	65	65	65	65	65	64	65	65	63	65	65	62	65	64	62	65	63	61	65	62	59	64	60	57	63	59	56	62	58	54	61	56	52	59	55	51	58	53	49	57	52	48					
			Array Edge	65	64	61	65	63	60	65	62	59	65	61	58	64	60	57	63	59	56	62	58	54	60	56	52	59	54	50	58	53	49	56	51	47	55	49	45	53	48	43	52	46	41					
		7.5 to 15	Array Interior	66	66	65	66	66	64	66	66	63	66	65	62	66	64	61	66	63	60	66	62	59	64	60	57	63	59	55	62	57	53	60	55	51	59	54	50	58	52	48	56	51	47					
			Array Edge	66	64	61	66	63	60	66	62	59	65	61	58	64	60	57	63	59	55	62	57	53	60	55	51	59	53	49	57	52	47	55	50	46	54	48	44	52	47	42	51	45	41					
		15 to 30	Array Interior	66	66	66	66	66	64	66	66	63	66	66	62	66	65	60	66	63	59	66	61	57	65	59	54	63	57	52	61	55	50	59	53	48	57	51	46	56	49	44	54	47	42					
			Array Edge	66	64	60	66	63	58	66	61	57	66	60	55	65	59	54	63	57	53	61	55	50	59	52	48	57	50	45	55	48	43	53	46	41	51	44	39	49	42	36	47	40	35					
		30 to 45	Array Interior	73	73	73	73	73	73	73	73	73	73	73	73	73	73	71	73	73	69	73	73	65	73	69	61	73	65	57	72	61	53	69	58	50	66	54	47	63	52	45	60	49	43					
			Array Edge	73	73	71	73	73	68	73	73	66	73	71	63	73	69	60	73	66	58	73	61	53	69	57	50	65	53	46	61	50	43	58	47	41	54	45	39	52	42	37	49	40	35					
	C	0 to 7.5	Array Interior	65	65	62	65	64	61	65	63	60	65	62	59	65	61	58	64	61	57	63	59	56	62	57	54	60	56	52	59	54	50	57	52	48	56	51	47	55	49	45	53	48	43					
			Array Edge	65	61	58	64	60	57	63	59	56	62	58	55	61	57	54	61	56	52	59	54	50	57	52	48	56	50	46	54	49	44	52	47	41	51	45	39	49	44	37	48	42	35					
		7.5 to 15	Array Interior	66	65	62	66	64	61	66	63	60	66	62	59	65	61	58	65	60	57	63	58	55	61	57	53	60	55	51	58	53	49	57	51	47	55	50	46	54	48	44	53	47	42					
			Array Edge	65	61	58	64	60	56	63	59	55	62	58	54	61	56	53	60	55	51	58	53	49	57	51	47	55	49	45	53	47	43	51	46	41	50	44	40	48	42	38	47	41	36					
		15 to 30	Array Interior	66	66	62	66	64	60	66	63	59	66	62	57	66	60	56	65	59	55	63	57	52	60	54	49	58	52	47	56	50	45	54	48	43	53	46	41	51	44	39	49	42	37					
			Array Edge	66	60	55	64	58	54	63	57	52	62	55	51	60	54	49	59	53	48	57	50	45	54	48	43	52	45	40	50	43	37	48	41	35	46	38	33	44	36	31	42	35	30					
		30 to 45	Array Interior	73	73	73	73	73	71	73	73	69	73	73	66	73	71	64	73	69	61	73	65	56	72	60	52	68	56	49	65	53	46	61	50	43	58	47	41	55	45	39	52	42	37					
			Array Edge	73	71	63	73	68	60	73	66	57	73	63	54	71	60	52	69	58	50	65	53	46	60	49	43	56	46	40	53	43	37	50	41	35	47	38	33	45	36	32	42	35	30					
	D	0 to 7.5	Array Interior	69	66	63	69	65	62	68	64	61	67	63	60	67	62	59	66	61	58	64	59	55	62	57	53	61	55	51	59	54	49	58	52	47	56	50	45	54	48	42	53	47	40					
			Array Edge	66	62	58	65	61	57	64	60	56	63	58	54	62	57	53	61	56	52	59	54	49	57	52	47	55	49	44	54	48	41	52	46	39	50	44	36	48	42	34	47	41	33					
		7.5 to 15	Array Interior	70	66	63	69	65	62	68	64	60	67	63	59	67	62	58	66	61	57	64	59	54	62	56	52	60	54	50	58	52	48	57	51	46	55	49	44	53	47	43	52	46	41					
			Array Edge	66	61	58	65	60	56	64	59	55	63	57	53	62	56	52	61	55	51	59	53	48	56	50	46	54	48	44	52	46	42	51	44	39	49	42	37	47	41	35	46	39	34					
		15 to 30	Array Interior	69	66	61	69	64	60	69	63	58	67	61	56	66	60	55	65	58	53	62	56	51	60	53	48	58	51	46	55	48	43	53	46	40	51	44	38	49	42	36	48	39	34					
			Array Edge	66	59	54	64	58	53	63	56	51	61	54	49	60	53	48	58	51	46	56	49	43	53	46	40	51	43	37	48	40	35	46	38	33	44	36	31	42	34	29	39	32	28					
		30 to 45	Array Interior	76	76	71	76	76	68	76	74	65	76	71	62	76	68	59	76	66	57	73	61	53	69	56	49	64	53	46	60	49	43	57	47	40	54	44	38	51	42	36	48	40	34					
			Array Edge	76	68	59	76	64	56	74	61	53	71	59	51	68	56	49	66	54	47	61	50	43	56	46	40	53	43	37	49	40	35	47	38	33	44	36	31	42	34	29	40	32	28					

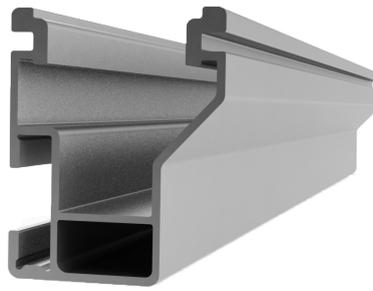


# CrossRail Rails





# CrossRail 48-X

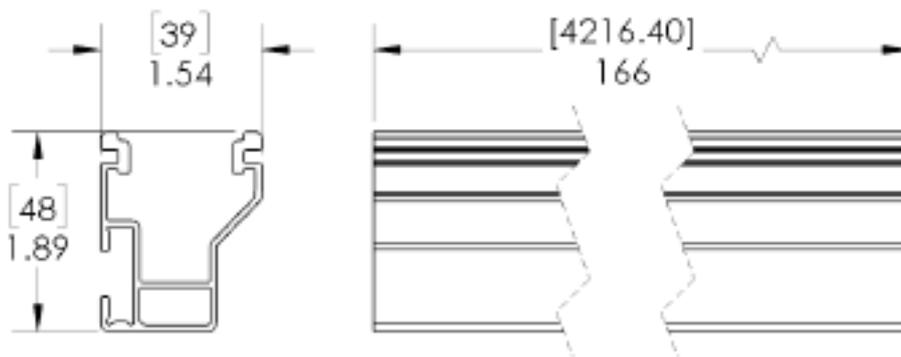


## Mechanical Properties

CrossRail 48-X	
Material	6000 Series Aluminum
Ultimate Tensile Strength	37.7 ksi (260 MPa)
Yield Strength	34.8 ksi (240 MPa)
Weight	0.56 lbs/ft (0.833 kg/m)
Finish	Mill or Dark Anodized

## Section Properties

CrossRail 48-X	
S <sub>x</sub>	0.199 in <sup>3</sup> (3.261 cm <sup>3</sup> )
S <sub>y</sub>	0.153 in <sup>3</sup> (2.507 cm <sup>3</sup> )
A (X-Section)	0.467 in <sup>2</sup> (3.013 cm <sup>2</sup> )



Dimensions in [mm] Inches

### Notes:

- ▶ Structural values and span charts determined in accordance with Aluminum Design Manual and ASCE 7-10 / 7-16
- ▶ UL2703 Listed System for Fire and Bonding

# CrossRail 48-XL

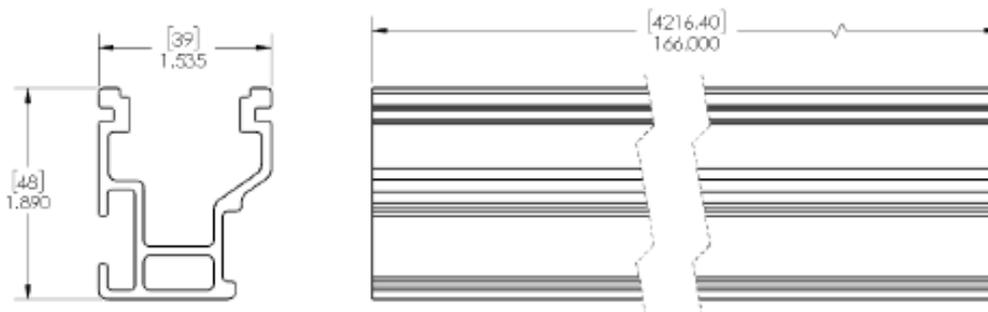


## Mechanical Properties

CrossRail 48-XL	
Material	6000 Series Aluminum
Ultimate Tensile Strength	37.7 ksi (260 MPa)
Yield Strength	34.8 ksi (240 MPa)
Weight	0.76 lbs/ft (1.13 kg/m)
Finish	Mill or Dark Anodized

## Section Properties

CrossRail 48-XL	
S <sub>x</sub>	0.279 in <sup>3</sup> (4.571 cm <sup>3</sup> )
S <sub>y</sub>	0.257 in <sup>3</sup> (4.213 cm <sup>3</sup> )
A (X-Section)	0.652 in <sup>2</sup> (4.207 cm <sup>2</sup> )



Dimensions in [mm] Inches

**Notes:**

- ▶ Structural values and span charts determined in accordance with Aluminum Design Manual and ASCE 7-10 / 7-16
- ▶ UL2703 Listed System for Fire and Bonding

# CrossRail 80

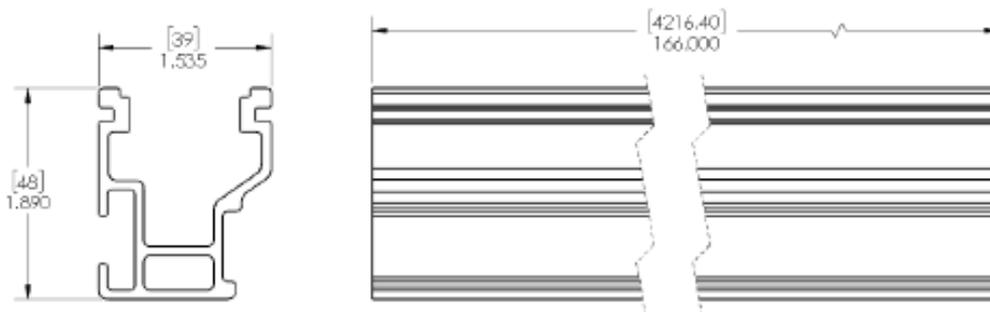


## Mechanical Properties

	CrossRail 80
Material	6000 Series Aluminum
Ultimate Tensile Strength	37.7 ksi (260 MPa)
Yield Strength	34.8 ksi (240 MPa)
Weight	0.76 lbs/ft (1.13 kg/m)
Finish	Mill or Dark Anodized

## Section Properties

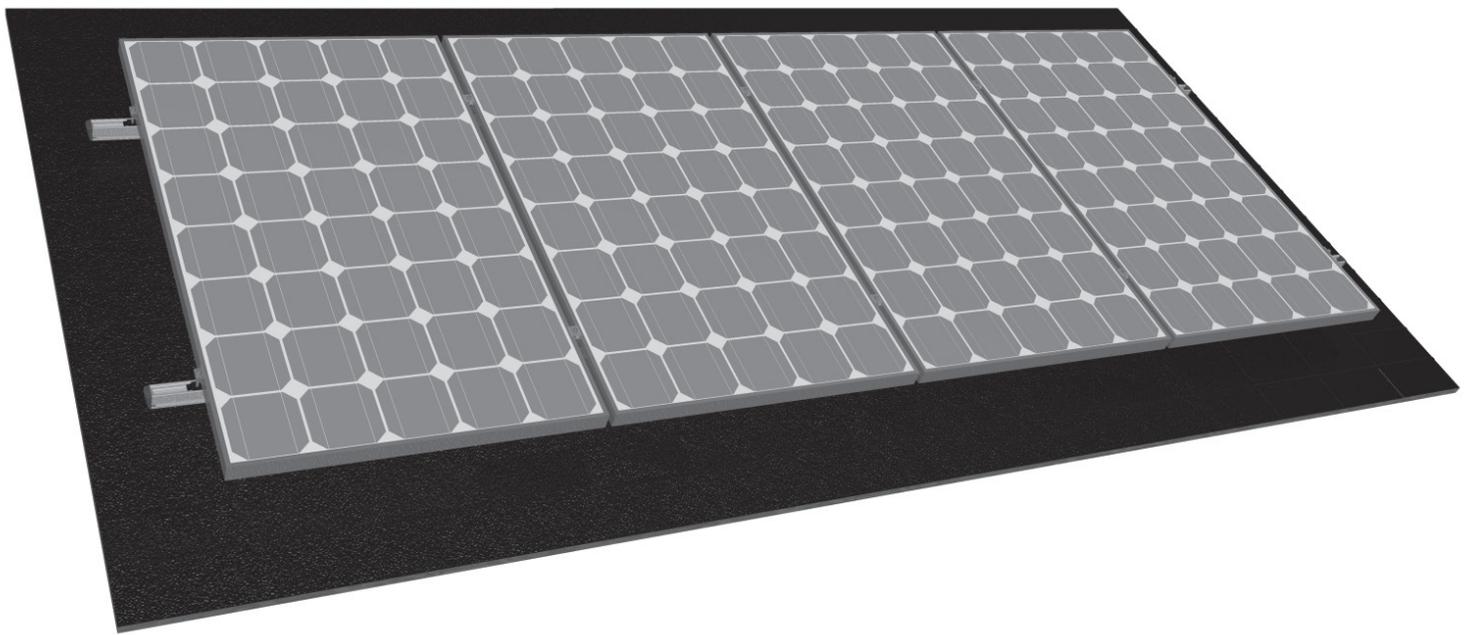
	CrossRail 80
Sx	0.279 in <sup>3</sup> (4.571 cm <sup>3</sup> )
Sy	0.257 in <sup>3</sup> (4.213 cm <sup>3</sup> )
A (X-Section)	0.652 in <sup>2</sup> (4.207 cm <sup>2</sup> )



Dimensions in [mm] Inches

### Notes:

- ▶ Structural values and span charts determined in accordance with Aluminum Design Manual and ASCE 7-10 / 7-16
- ▶ UL2703 Listed System for Fire and Bonding



**ASSEMBLY INSTRUCTIONS**  
**CROSSRAIL SYSTEM**



UL 2703 Listed System

# TABLE OF CONTENTS

TABLE OF CONTENTS	2
SAFETY REGULATIONS	3
MATERIALS REQUIRED	4
BONDING AND GROUNDING	6
FIRE RATING	7
MODULE COMPATIBILITY	8
ASSEMBLY	9
TERMS AND CONDITIONS	13

## ENGINEERING STRENGTH IS AT OUR CORE

With sophisticated product innovations and a deep customer focus, Everest Solar is the engineering leader for all your mounting system needs. We are the US division of K2 Systems, one of Europe’s market leaders with more than 4 GW installed.

We offer proven product solutions and innovative designs. Wind tunnel testing along with advanced structural and electrical validation to facilitate permitting, design and installation. Our designs result in cost competitive racking systems with dedicated support that will position you to win more projects.

We partner with our customers and suppliers for the long-term. High quality materials and cutting edge designs provide a durable, yet functional system. Our product line is comprised of a few, coordinated components that lower the cost of materials, and simplify installation, saving you time and money. All backed by German engineering, a long track record of quality and a company that is here to stay.

Thank you for choosing Everest Solar Systems for your Solar PV Project.

## GENERAL SAFETY INSTRUCTIONS

Everest Solar Systems' General Assembly Instructions must be followed to maintain the exclusive, limited product warranty. You can access these instructions at Everest's Technical Info Page:

**<http://everest-solarsystems.com/en-US/technical-product-information>** or by contacting us directly.

In general, the following applies:

- ▶ Systems should be installed by experienced contractors licensed and qualified to perform the work with professional workmanship and quality.
- ▶ Before installation, Contractor must verify that the system meets all applicable laws, regulations, ordinances, and codes. Contractor shall verify that the roof or other structures to which the system is being attached are capable of carrying the system loads. For information about the dead loads of the various system components, Contractor should review the Everest Technical information page at **<http://everest-solarsystems.com/en-US/technical-product-information>** or contact us directly.
- ▶ Contractor is solely responsible for work safety and accident prevention regulations and corresponding standards and regulations of the applicable occupational safety and health agency are followed, including:
  - ▶ Safety clothing is worn such as safety helmets, work shoes, and gloves.
  - ▶ Where required, Contractor should use fall protection, scaffolding with arrestor equipment and other approved methods for worker safety.
- ▶ Contractor shall verify that they are using the most current instructions by downloading the latest version from our website or contacting our office directly.
- ▶ Module manufacturer installation guides must be followed. Please use approved electrical bonding and grounding components that are required by the local or national codes and AHJ.
- ▶ A copy of these instructions must be on site, and read and understood by all workers during installation.
- ▶ In the event our general installation and assembly instructions are not followed, or that not all system components and assemblies are used according to these instructions, or that components are used which were not obtained from us, Everest Solar Systems is not liable for any resulting defects and damages, and the exclusive, limited warranty will be void.
- ▶ The exclusive, limited product warranty shall apply only if all instructions are strictly adhered to and the system is correctly installed. Everest Solar Systems disclaims any and all warranties, expressed or implied, including without limitation any warranties of merchantability and fitness for a particular purpose other than as set forth in the exclusive, limited warranty in the terms and conditions of sale, which can be viewed under on our website:  
**<http://everest-solarsystems.com/en-US/technical-product-information>**
- ▶ The VdS 3145:2011-07 applies to the proper technical maintenance, inspection and any necessary repair. This includes regular visual inspections and visual inspections in case of events. We recommend annual regular inspections including: inspection of all system components for damage by e.g. weather, animals, dirt, debris, build-up, growth, roof penetration, sealing, structural stability and corrosion. In addition, the tight fit of screws must be checked and if necessary, re-tightened in accordance with the torques mentioned in the assembly instructions.
- ▶ The dismantling of the system should be in reverse order of these assembly instructions.

# Mounting systems for solar technology



## CrossRail for Pitched Roof:

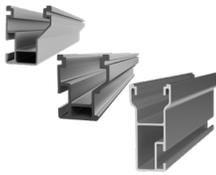
- ▶ High quality, German engineering
- ▶ UL 2703 Listed for bonding and fire
- ▶ Fast, simple installation
- ▶ No drilling, no bonding jumpers
- ▶ Pre-assembled universal module clamps with integrated bonding
- ▶ Robust bonding rail splices
- ▶ Low part count

## UL 2703 LISTED COMPONENTS

All components evaluated under UL 2703 and encompassed within Everest Solar System's UL 2703 Listing shown below



If you seek a UL Listed System, only the parts shown on this page are acceptable.



**CrossRail 48-X/48-XL/80<sup>1</sup>**  
 Material: aluminum  
 Finish: mill, dark anodized



**Burndy WEEB Lug 8.0 + Hardware**  
 Or **Burndy WEEB Lug 10.3 + Hardware<sup>4</sup>**  
 WEEB Lug Material: tin plated copper  
 Hardware: stainless steel



**Rail Connector Set<sup>1</sup>**  
 CR 80  
 Material: aluminum  
 Finish: mill, dark anodized  
 Hardware: stainless steel



**L-Foot with Hardware<sup>1,2</sup>**  
 Material: aluminum  
 Finish: mill, dark anodized  
 Hardware: stainless steel



**Structural Rail Connector Set<sup>1</sup>**  
 CR 48-X  
 Material: aluminum  
 Finish: mill, dark anodized  
 Hardware: stainless steel



**Climber Set CR48-X/48-XL/80, Hole**  
 Material: aluminum  
 Finish: mill  
 Hardware: stainless steel



**CrossRail Mid Clamp UL2703+ Set**  
 30 - 47 mm  
 Material: stainless steel  
 Finish: silver, dark



**Optional: Micro Inverter and Optimizer Mounting Kit<sup>1,3</sup>**  
 Material: stainless steel



**CrossRail End Clamp Set**  
 30 - 50 mm  
 Material: stainless steel  
 Finish: silver, dark



<sup>1</sup>Dark anodized rail must use Bonding T-Bolt and Bonding MK3 hardware.

<sup>2</sup>Use standard L-foot with third-party roof attachments and EverFlash L-foot with EverFlash Comp Flashing.

<sup>3</sup>The inverter hardware kit is not intended to replace the micro inverter ground and has only been evaluated to attach to the rail.

<sup>4</sup>For certain jurisdictions, this item is regarded as a single-use item for a UL 2703 Listed System.

## NON-UL LISTED COMPONENTS

Components in this section were not evaluated by UL for bonding



### Module Mid Clamp Set

Material: stainless steel  
Finish: mill, black  
Hardware: stainless steel



### Optional: End Cap for CrossRail 48-X/48-XL/80

CrossRail 48-X End Cap shown  
Material: glass fiber reinforced polyamide  
Finish: N/A  
Hardware: N/A



### Module End Clamp Set

Material: stainless steel  
Finish: mill, black  
Hardware: stainless steel



### Optional: External Omega Cable Clip

Material: polyamide, black



### EverFlash eComp Kit

Material: aluminum  
Finish: mill, dark anodized  
Hardware: stainless steel



### Optional: HEYClip SunRunner Cable Clip SS, S6404

Material: stainless steel  
Finish: N/A  
Hardware: N/A



### EverFlash qComp Kit

with Quick Mount PV® Elevated Water Seal technology  
Material: aluminum  
Finish: mill, dark anodized  
Hardware: stainless steel



### Optional: Burndy Omega Clip

Material: 304 stainless steel  
Finish: N/A  
Hardware: N/A

## TOOLS AND TORQUE SPECIFICATIONS REQUIRED

Everest Solar Systems are designed to make installation easy and fast. The basic tools required to assemble the parts are listed below as a guide.

### TOOLS REQUIRED

- ▶ Torque wrench (0 – 50 ft-lb)
- ▶ Cordless Drill (non-impact)
- ▶ 15mm Deep Socket
- ▶ 6mm Allen Drive (for M8 Allen Bolt)
- ▶ 1/2" Socket (for lag bolt)
- ▶ Measuring Tape
- ▶ String Line

### TORQUE SPECIFICATIONS

- ▶ M10 T-Bolts: 25.8 ft-lb (35 Nm)
- ▶ WEEB Lug 10.3: 15 ft-lb (20.3 Nm)
- ▶ M8 T-Bolts: 10 ft-lb (13.5 Nm)
- ▶ Climber Set:
  - M8 Allen Bolts: 11.8 ft-lb (16 Nm)
- ▶ Mid Clamp UL2703+
  - M8 Allen Bolts: 12 ft-lb (16.3 Nm)
- ▶ All other clamps:
  - M8 Allen Bolts: 10.3 ft-lb (14 Nm)

Tools and materials for the installation of third party items such as roof attachment products, roof covering and sealing products or items used for bonding and grounding are not listed here. Please refer to the instructions of those third party products.



## BONDING AND GROUNDING

Appropriate means of bonding and grounding are required by regulation. The information provided in this manual shall always be verified with local and national building codes.

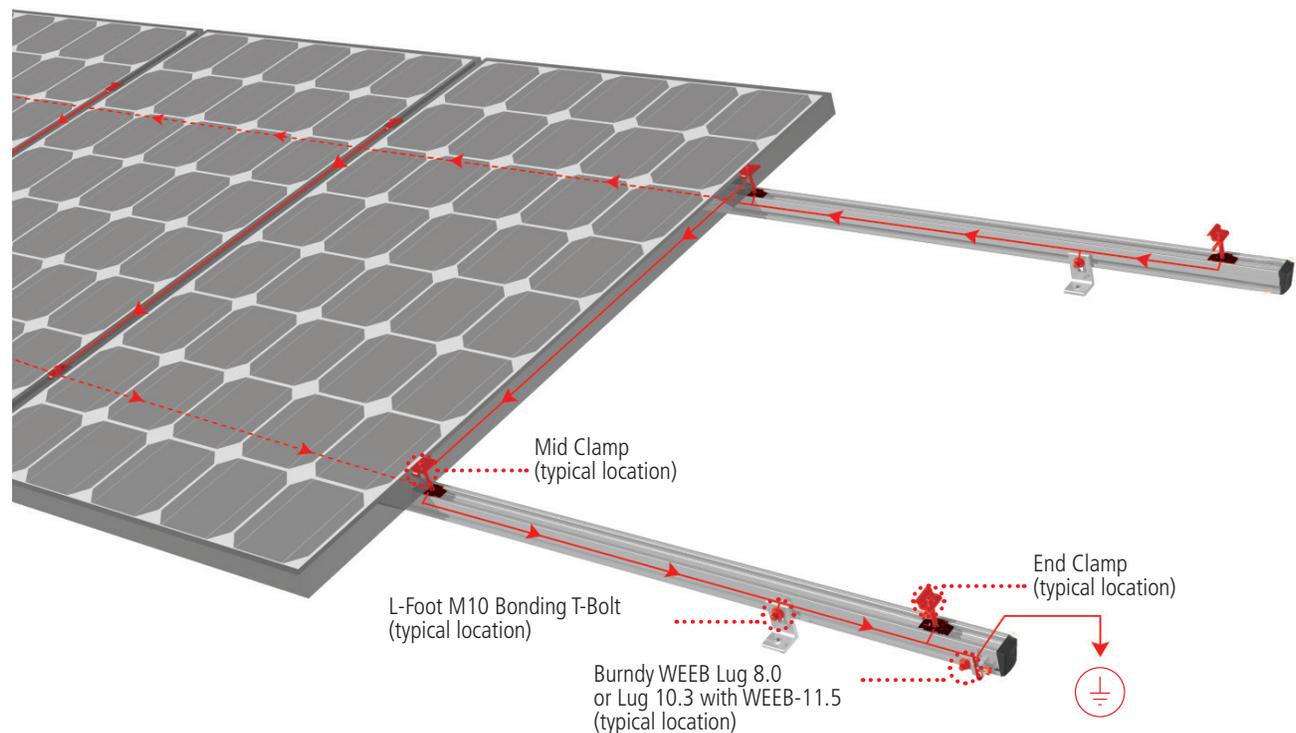
Everest Solar Systems has obtained a UL 2703 system listing from Underwriter's Laboratories (UL).

A sample bonding path diagram is shown in Figure 1 below. Your specific installation may vary, based upon site conditions and your AHJ's requirements.

Each electrical connection has been evaluated to a maximum fuse rating of 30A. At least one ground lug per row of modules must be used to ground all strings within each sub-array, although additional may be used for redundancy. When installed per these installation instructions, all connections meet the requirements of NEC 690.43.

This racking system may be used to ground and/or mount a PV module complying with UL 1703 only when the specific module has been evaluated for grounding and/or mounting in compliance with the included instructions.

The WEEB-LUG-10.3 utilizes the WEEB-11.5 as the bonding washer and thus carries the markings of the WEEB-11.5. The proper markings of the WEEB-LUG-10.3 are carried on the product label as required by Underwriters Laboratory (UL).



**Figure 1:** Bonding connections shown in red. For certain jurisdictions, bonding and grounding connections are identified at typical locations.

## CROSSRAIL FIRE RATING

The CrossRail 48-X/48-XL System has undergone fire performance testing in accordance with UL 2703, Fire Performance.

A System Class A fire rating is achieved when using CrossRail 48-X/48-XL under the following conditions:

- ▶ Roof slope of 2/12 inch rise per linear foot or greater.
- ▶ Used in combination with a UL 1703 Listed module with a fire performance rating of Type 1, Type 2, or Type 3. Consult the module manufacturer for specific fire performance rating information.
- ▶ CrossRail may be mounted using any stand-off height to maintain the Class A fire rating. Always consult the module manufacturer's installation instructions to ensure your installation is in compliance with their UL 1703 Listing.
- ▶ The results of the racking system do not improve a roof covering Class rating.

All documentation can be found on UL's Online Database as well as Everest Solar Systems' website.

## EVEREST CROSSRAIL SYSTEM WAS TESTED WITH THE FOLLOWING:

### NRTL Listed LG Modules:

- ▶ LGxxxS1C-G4
- ▶ LGxxxN1C-G4
- ▶ LGxxxS2WG4
- ▶ LGxxxN1K-G4
- ▶ LGxxxN2W-G4
- ▶ LGxxxN1K-A5
- ▶ LGxxxS1C-A5
- ▶ LGxxxN1C-A5
- ▶ LGxxxE1C-A5
- ▶ LGxxxE1K-A5

### NRTL Listed Canadian Solar Modules:

- ▶ CS6U-xxx
- ▶ CS6K-xxx
- ▶ CS6X-xxx
- ▶ CS6P-xxx
- ▶ CS6K-P-FG DYMOND
- ▶ CS6K-270M
- ▶ CS6K-275M

### NRTL Listed Solarworld Modules "Sunmodule":

- ▶ Plus SW XXX Mono
- ▶ Plus SW XXX Poly
- ▶ (all may be followed by "black")

### NRTL Listed Lumos Modules:

- ▶ LSXxxx-60M-B/C

### NRTL Listed Trina Solar Modules:

- ▶ DUOMAX SPECS 1. PEG14
- ▶ DUOMAX SPECS 2. PEG5
- ▶ DUOMAX SPECS 3. PEG5.07
- ▶ DUOMAX SPECS 4. PDG5

### NRTL Listed Prism Solar Modules:

- ▶ Bi48 xxx Bifacial
- ▶ Bi60 xxx Bifacial

### NRTL Listed Jinko Solar Modules:

- ▶ JKM xxxPP-72-DV
- ▶ JKM xxxPP-60-DV
- ▶ JKMxxx-P-60

### NRTL Listed Sunpreme Modules:

- ▶ GxB-xxx
- ▶ GxB-xxxSM
- ▶ GxB-xxxSL

### NRTL Listed Soluxtec Modules:

- ▶ FR xxx Wp
- ▶ Power Slate 54 Mono Dark Series
- ▶ Power Slate 54 Mono Series

### NRTL Listed V Energy Modules:

- ▶ Series 200 PV

### NRTL Listed Phono Solar Modules:

- ▶ PSxxxMG-20/U
- ▶ PSxxxPG-20/U

### NRTL Listed JA Solar Modules:

- ▶ JAP6(DG)
- ▶ JAM6(K)-60-xxx/4BB

### NRTL Listed Q Cells Modules:

- ▶ Q.Plus BFR-G4.1xxx
- ▶ Q.Pro BFR-G4.1xxx
- ▶ Q.Pro-G4.1/SCxxx

### UL Listed Hyundai Solar Modules:

- ▶ HiS-MxxxMG
- ▶ HiS-MxxxMI
- ▶ HiS-MxxxTI
- ▶ HiS-MxxxRI
- ▶ HiS-SxxxRI
- ▶ HiS-MxxxRG

### UL Listed Kyocera Modules:

- ▶ KUxxxMCA

### UL Listed Luxor Solar Modules:

- ▶ LX-xxxP
- ▶ LX-xxxM

### UL Listed SunPower Modules:

- ▶ SPR-E19-xxx
- ▶ SPR-E20-xxx

### UL Listed Yingli Solar Modules:

- ▶ YL-xxxP-29b
- ▶ YL-xxx-35b

### UL Listed Sanyo Electric Co Ltd of Panasonic Group Modules:

- ▶ VBHNxxxSA16
- ▶ VBHNxxxSA17
- ▶ VBHNxxxSA18
- ▶ VBHNxxxKA01
- ▶ VBHNxxxKA03
- ▶ VBHNxxxKA04

### UL Listed Mission Solar Modules:

- ▶ MSExxxSB1J

### NRTL Listed ET Solar Modules:

- ▶ ET-M660xxxBB

### NRTL Listed Axitec Solar Modules:

- ▶ AC-xxxP/156-60S
- ▶ AC-xxxM/156-60S

### NRTL Listed Silfab Modules

- ▶ SLAxxxM

### UL Listed Sharp Modules

- ▶ NU-SCxxx
- ▶ NU-SAxxx

### UL Listed Trina Solar Modules

- ▶ TSM-xxxDE14A
- ▶ TSM-xxxDD05A.08

(Where xxx is the wattage)

This racking system may be used to ground and/ or mount a PV module complying with UL 1703 only when the specific module has been evaluated for grounding and/ or mounting in compliance with the included instructions.

## ASSEMBLY: STEP BY STEP



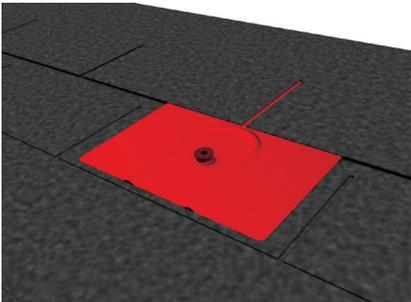
1

of 12

### PREPARE ROOF FOR EVERFLASH COMP SHINGLE FLASHING

Locate the rafters and snap horizontal and vertical lines to mark the installation position for each EverFlash flashing. Drill a pilot hole (1/4" diameter) for the lag bolt. Backfill with appropriate sealant. Always consult a professional roofer to ensure integrity is maintained.

Materials required: Tape measure, string line, drill



2

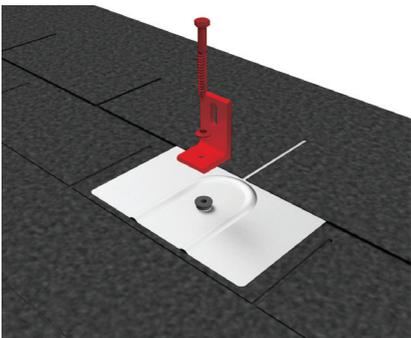
of 12

### INSERT EVERFLASH FLASHING

Insert the flashing so the top part is under the next row of shingles and pushed far enough up slope to prevent water infiltration through vertical joint in shingles. The leading edge of flashing must butt against upper row of nails to prevent turning when torqued.

**Important:** The flashing must not overhang the butt end of the shingle.

Materials required: EverFlash flashing



3

of 12

### ATTACH EVERFLASH L-FOOT

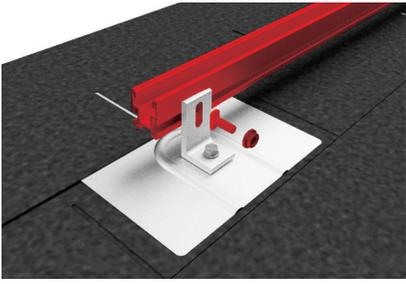
Line up pilot hole with the EverFlash flashing hole.

For EverFlash eComp Kit: Insert the lag bolt through the EPDM bonded washer, the L-foot, the gasketed hole in the flashing and into the rafter.

For EverFlash qComp Kit: Insert the lag bolt through the EPDM bonded washer, the L-foot, the elevated flute in the flashing and into the rafter.

**Torque:** The range is between 8.3 - 11.6 ft-lb depending on the type of wood and time of year. The visual indicator for proper torque is when the EPDM on the underside of the bonded washer begins to push out the sides as the washer compresses. If using an impact wrench to install the fasteners, be careful not to over torque the fastener. You may need to stop and use a ratchet to finish the install.

Materials required: Bolt, EverFlash L-foot and hardware, torque wrench with 1/2" socket



4  
of 12

## INSTALL CROSSRAIL

Insert the T-bolt through the L-foot slot and into the side channel of CrossRail. Turn the T-bolt clockwise ensuring that the mark at the end of the shaft is vertical, indicating proper alignment. Attach the M10 serrated hex nut and tighten to 25.8 ft-lb (35 Nm). Make sure that the top of the CrossRail is located above the top of the L-foot. Double check that the alignment marking on the end of the T-bolt shaft is vertical, to ensure it is properly engaged.

Due to thermal expansion, we recommend placing a gap of 1.25" -2.00" (3-5 cm) every 65 ft (20 m) between rails. Maximum allowable spacing between thermal expansion gaps shall not exceed 80 ft (24.4 m).

**Note:** Typically, rail cantilevers may not exceed 1/3 of the maximum allowable span. Refer to the engineering letters on Everest's website ([www.everest-solarsystems.com](http://www.everest-solarsystems.com)) for more detail on maximum spans and cantilevers.

Materials required: CrossRail, M10 T-bolt (use bonding T-bolt with dark rail), M10 serrated hex nut

## RAIL CONNECTOR INSTALLATION

5  
of 12

### ALIGN RAILS

Align the two rail ends next to each other.



6  
of 12

### SLIDE RAIL CONNECTOR

Slide the rail connector from below the rails, centering the connector between the two rail ends. Ensure the rail connector does not interfere with an L-foot or roof attachment.

**Note:** The rail connector for CrossRail 48-S contains mating features, thus must be inserted prior to aligning rails together (Step 5 above).



7  
of 12

### CONNECT RAILS

Attach the rail connector using two M10 T-bolts (use bonding T-bolts with dark rail) and hex nuts per side (4 total). Ensure that the slot on the bottom of the T-bolt is vertical, indicating that the T-bolt head is properly engaged in the rail channel.

Torque M10 serrated hex nuts to 25.8 ft-lb (35 Nm).





8  
of 12

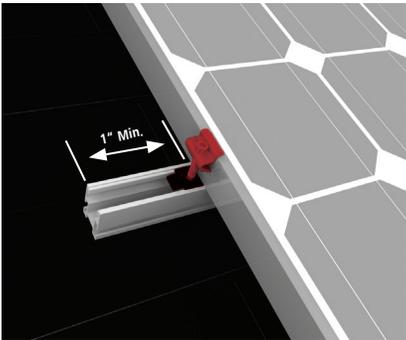
### OPTIONAL: ATTACH MICRO INVERTERS OR POWER OPTIMIZERS

Using the Micro Inverter Mounting Kit Hardware from Everest Solar Systems, attach your chosen device to the top channel of CrossRail. Torque M8 Allen bolt to 10.3 ft-lb (14 Nm).

**Note:** The inverter hardware kit is not intended to replace the micro inverter ground and has only been evaluated to attach to the rail.

Tightening torque: 10.3 ft-lb (14 Nm)

Materials required: Micro Inverter Mounting Kit includes: M8x20mm Allen Bolt, M8 lock washer, M8 flat washer, MK3



9  
of 12

### ATTACH END CLAMPS

Insert the MK3 slot nut of the pre-assembled end clamps into the top channel on CrossRail. While slightly lifting the plastic tabs, rotate 90 degrees clockwise to engage the MK3 into the channel.

Attach the end clamps to the module at the specified locations per the PV module manufacturer's installation instructions. Torque the M8 bolt to 10.3 ft-lb. Ensure the clamp sits flush against the frame of the PV module, the M8.

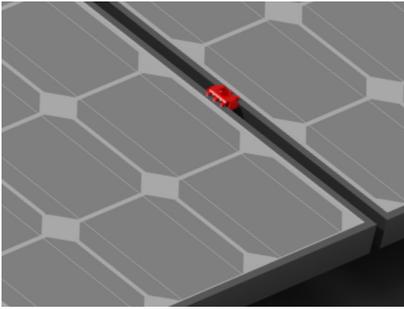
Never mount end clamps directly over a rail connector or at the end of the rail. Ensure a minimum gap of 1" (20mm) exists from the end of the rail to the clamp.

Tightening torque: 10.3 ft-lb (14 Nm).

**Important:** Verify module manufacturers recommended torque specification to ensure clamps are compatible.

**Note:** For certain jurisdictions, if clamp tension is released, the clamps need to be relocated on panel to ensure bonding path.

Materials required: End Clamp Set



10  
of 12

## ATTACH MID CLAMPS

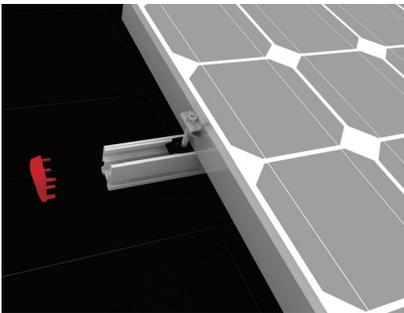
Insert the MK3 slot nut of the pre-assembled mid clamps into the top channel on CrossRail. While slightly lifting the plastic tabs, rotate 90 degrees clockwise to engage the MK3 into the channel.

Attach the mid clamps to the module at the specified locations per the PV module manufacturer's installation instructions. Torque the M8 bolt to 10.3 ft-lb. Ensure the modules are flush against the clamp, and torque.

**Important:** Verify module manufacturers recommended torque specification to ensure clamps are compatible.

**Note:** For certain jurisdictions, if clamp tension is released, the clamps need to be relocated on panel to ensure bonding path.

Materials required: Mid Clamp Set



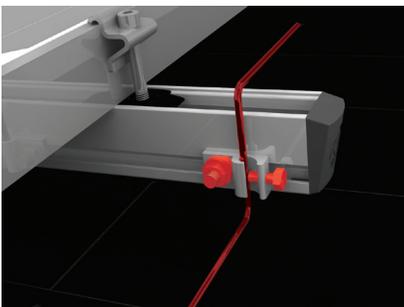
11  
of 12

## OPTIONAL: ATTACH END CAPS

Push the pins of the appropriate end cap into end of the rail.

CrossRail 48 End Cap shown.

Materials required: End cap



12  
of 12

## SYSTEM GROUNDING

CrossRail components are required to be electrically bonded and grounded via Burndy's WEEB Lug 8.0 or 10.3 Assembly (Burndy P/N 781810537572) and the use of either #6 or #8 AWG solid copper wire. A minimum of one WEEB Lug 8.0 or 10.3 is required per each independent row of modules. The lug must be attached to the side channel of CrossRail, as shown.

To attach the WEEB Lug 8.0 or 10.3, insert the M8/ M10 T-Bolt into the side slot on CrossRail and rotate clockwise 90 degrees. Attach the remaining components, as shown, tightening the M8 serrated hex nut to 10 ft-lb (13.5 Nm) or the M10 serrated hex nut to 15 ft-lb (20.3 Nm). Once the lug has been installed, a #6 or #8 AWG solid copper wire from a DC ground location external to the array must be inserted in the equipment ground conductor location on the lug. Torque the bolt to 5 ft-lb (6.7 Nm).

Materials required: WEEB Lug 8.0 or 10.3 Assembly

**Note:** Verify with your local jurisdiction that the WEEB Lug 8.0 or 10.3 is considered a single-use item in a UL 2703 Listed System.

**Warning:** Employ best industry practices to ensure that copper does not contact aluminum and galvanized steel.

# Mounting systems for solar technology



Ready!

## THANK YOU FOR CHOOSING AN EVEREST SOLAR SYSTEMS MOUNTING SYSTEM.

Systems from Everest Solar Systems are fast and simple to install. Please contact us if you have any questions or suggestions for improvements. We are looking forward to receive your call on our

**Service-Hotline +1 760.301.5300**

## TERMS AND CONDITIONS

Product images are for illustrative purposes only. Specifications are subject to change without notice. All sales of our products shall be subject to Everest Solar Systems terms and conditions, including the exclusive limited warranty set forth therein. The terms and conditions can be found at <http://www.everest-solarsystems.com/>

Everest Solar Systems, LLC  
2835 La Mirada Dr., Suite A  
Vista, CA 92081  
Service-Hotline +1.760.301.5300  
[info@everest-solarsystems.com](mailto:info@everest-solarsystems.com)  
[www.everest-solarsystems.com](http://www.everest-solarsystems.com)

K2 Systems International:  
World headquarters  
K2 Systems GmbH, Germany  
K2 Systems SARL, France  
K2 Systems SRL, Italy  
K2 Solar Mounting Solutions Ltd., UK

CrossRail Assembly Instructions US19-0918.  
Product images are for illustrative purposes only. Specifications are subject to change without notice. All sales of our products shall be subject to Everest Solar Systems terms and conditions, including the exclusive limited warranty set forth therein.