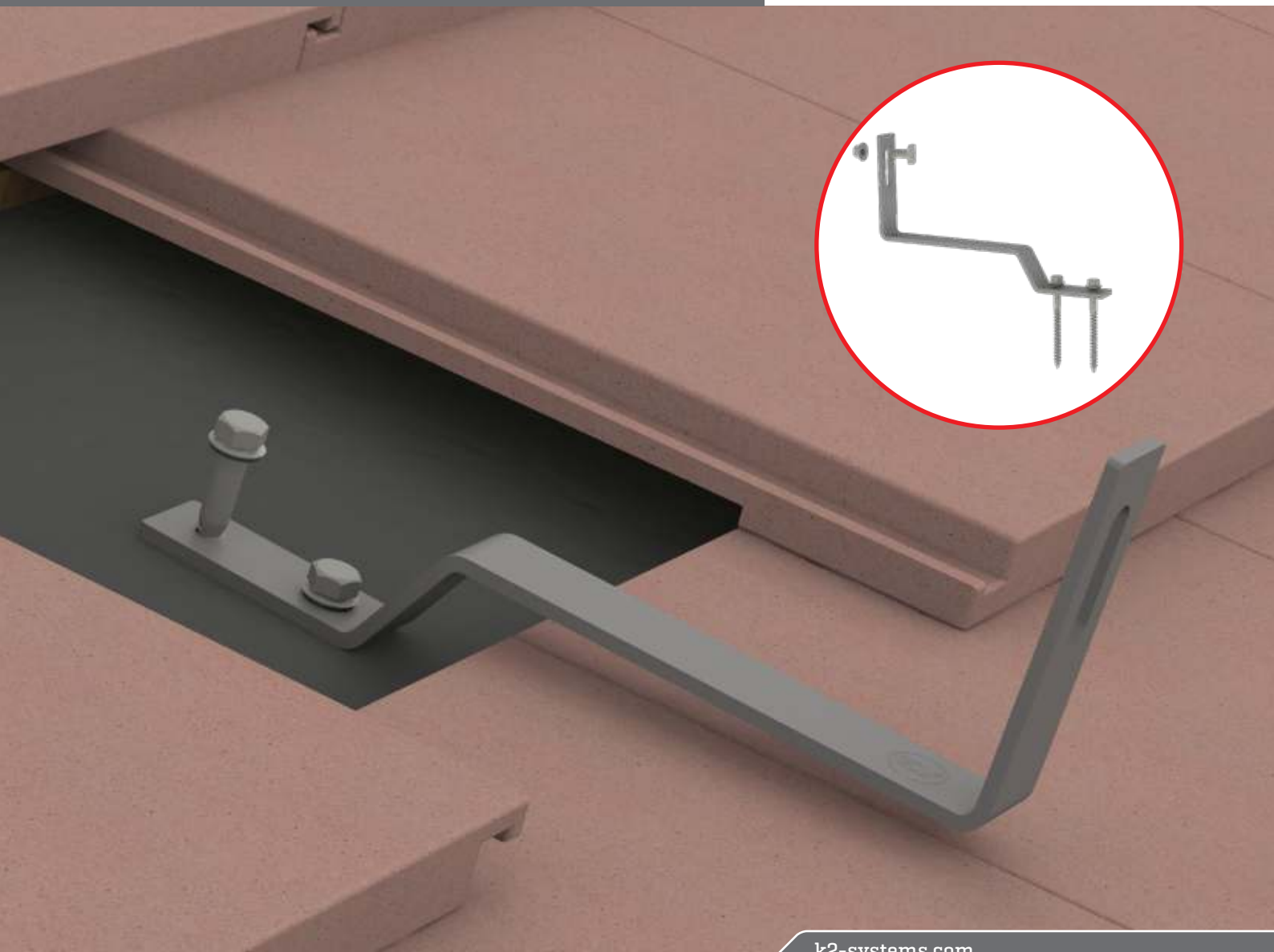
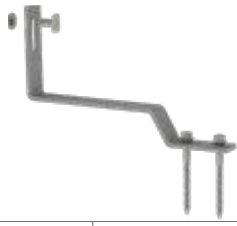


# Flat Tile Hook X

## QUICK GUIDE



# Components



Part Number	Description
4000141	Flat Tile Hook X, Kit

Kit includes:



Flat Tile Hook X  
Material: aluminum  
Finish: mill

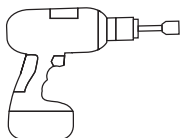
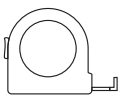


Lag Screws w/ EPDM Washers  
Material: stainless steel



T-Bolt & Hex Nut  
Material: stainless steel

# Tools overview



Torque wrench  
▶ 10-50 ft-lbs



13 mm dep socket  
▶ Torque 10 ft-lbs

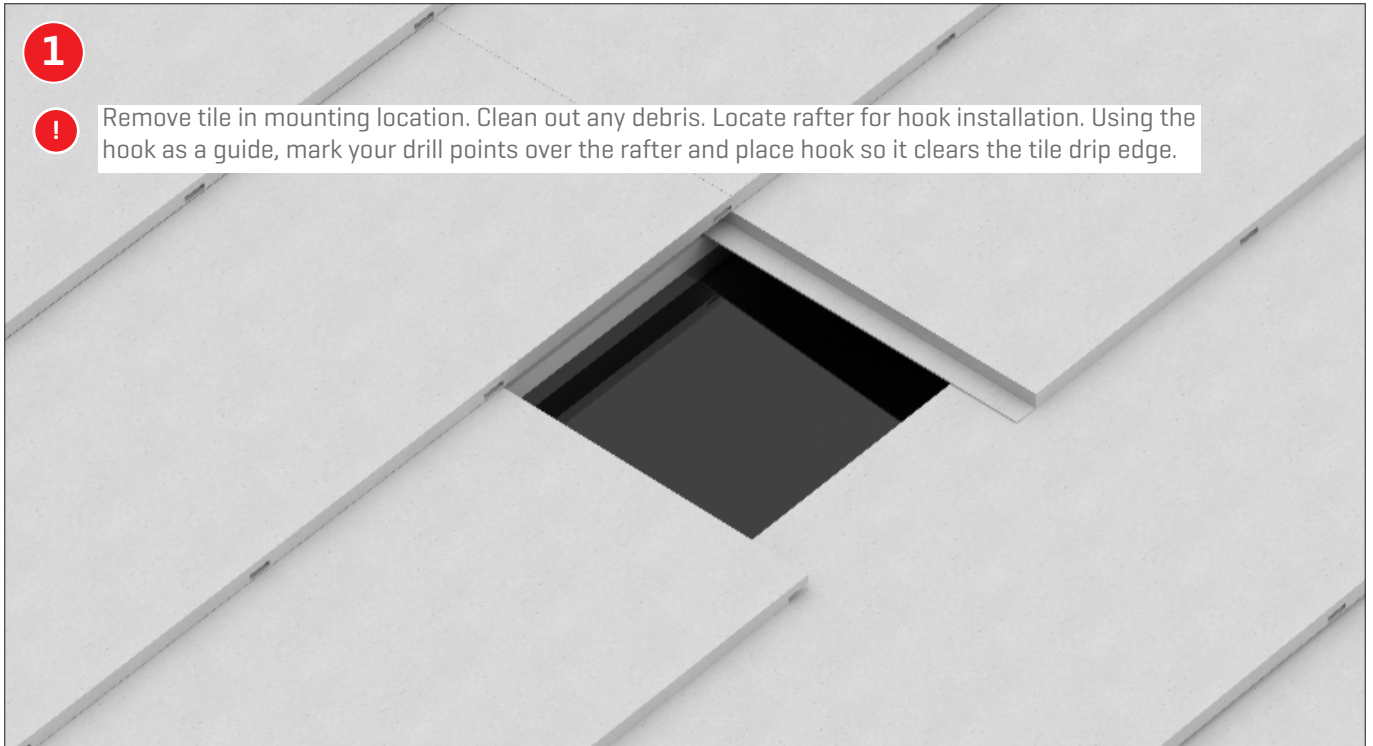
# Assembly



1



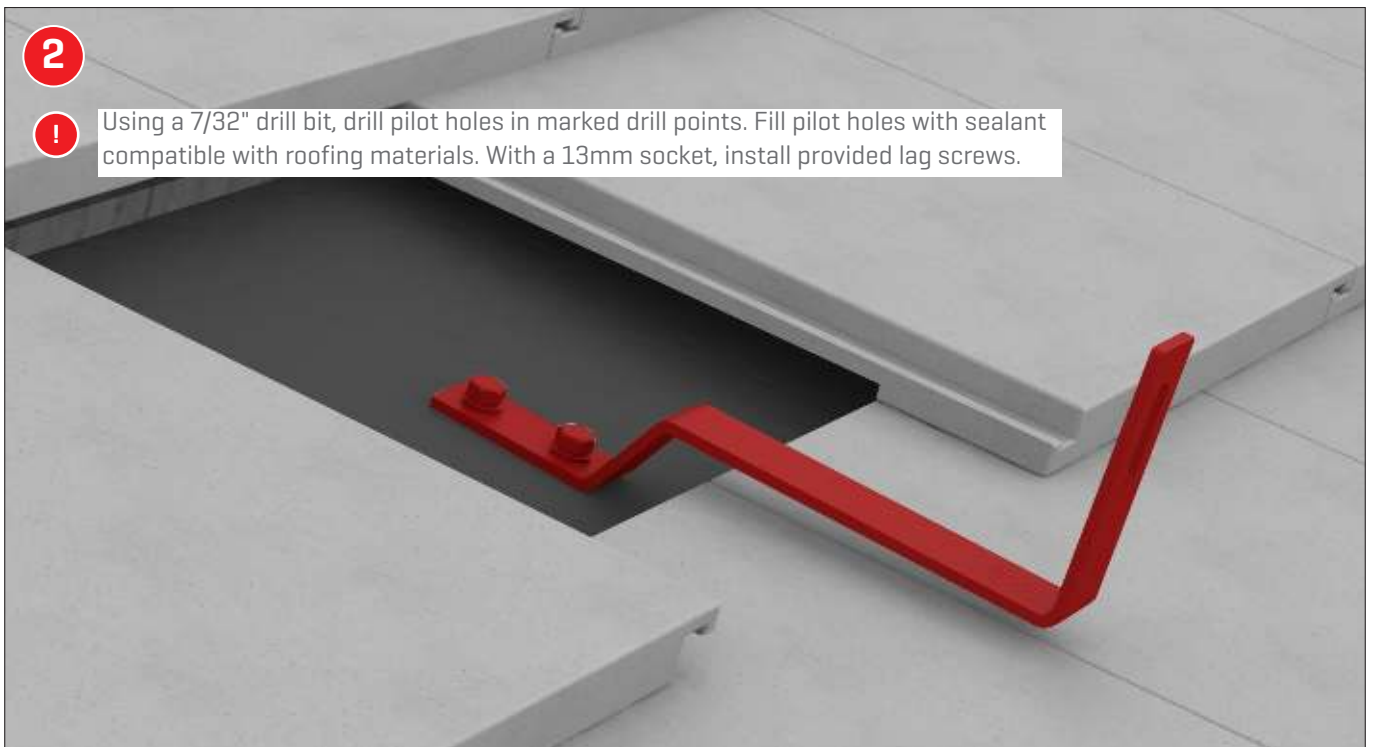
Remove tile in mounting location. Clean out any debris. Locate rafter for hook installation. Using the hook as a guide, mark your drill points over the rafter and place hook so it clears the tile drip edge.



2



Using a 7/32" drill bit, drill pilot holes in marked drill points. Fill pilot holes with sealant compatible with roofing materials. With a 13mm socket, install provided lag screws.



3

!

**A. Install Replacement Flashing**  
Mark and cut bottom edge of the flashing to allow the tile hook to pass through. Using roofing bars, prop up interlocking tiles to allow installation of replacement tile flashing. Place flashing and lower surrounding tiles to allow the flashing to sit properly.

**B. Grind/Notch Tile**  
Mark location of tile hook on the tile. Create a safe tile cutting station with proper safety precautions and equipment. Notch tile with a tile grinder or a tuck point diamond blade. Be sure tile is cut enough so that weather guards sit in their original position. *Some jurisdictions may require water or ventilation to prevent silica dust exposure. Always wear eye protection and safety mask.*

4

!

Insert the T-Bolt through the slot in the Flat Tile Hook X and into the side channel of CrossRail. Turn the T-Bolt clockwise ensuring that the mark at the end of the shaft is vertical, indicating proper alignment. Attach the serrated flange nut and tighten to 26 ft-lbs [35 Nm]. Double check that the alignment marking on the end of the T-Bolt shaft is vertical to ensure it is properly engaged. Refer to CrossRail Assembly Instructions for more detail on proper rail installation.

