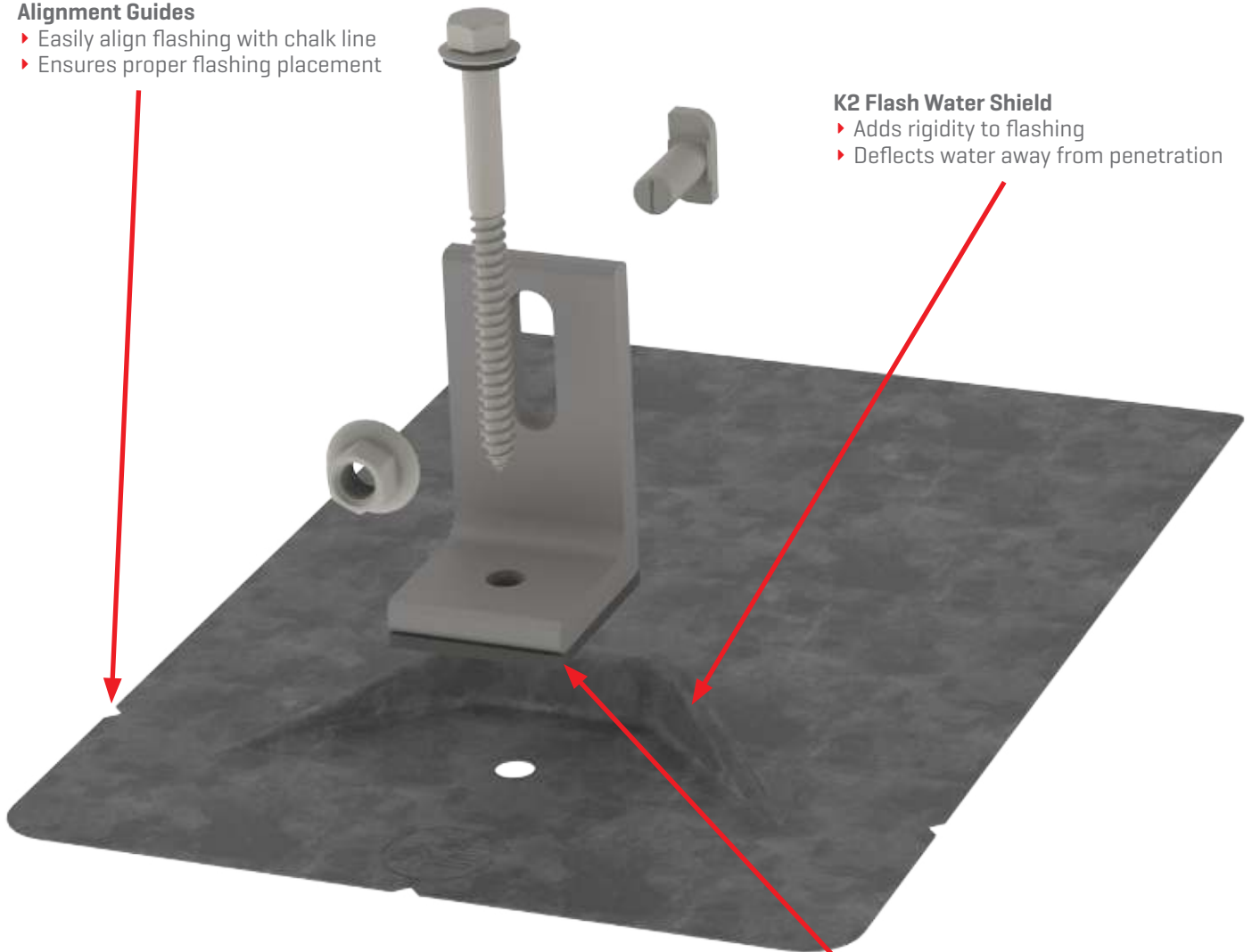


**Alignment Guides**

- ▶ Easily align flashing with chalk line
- ▶ Ensures proper flashing placement

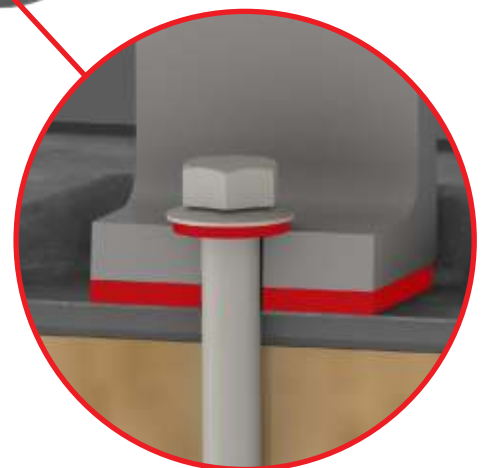
**K2 Flash Water Shield**

- ▶ Adds rigidity to flashing
- ▶ Deflects water away from penetration



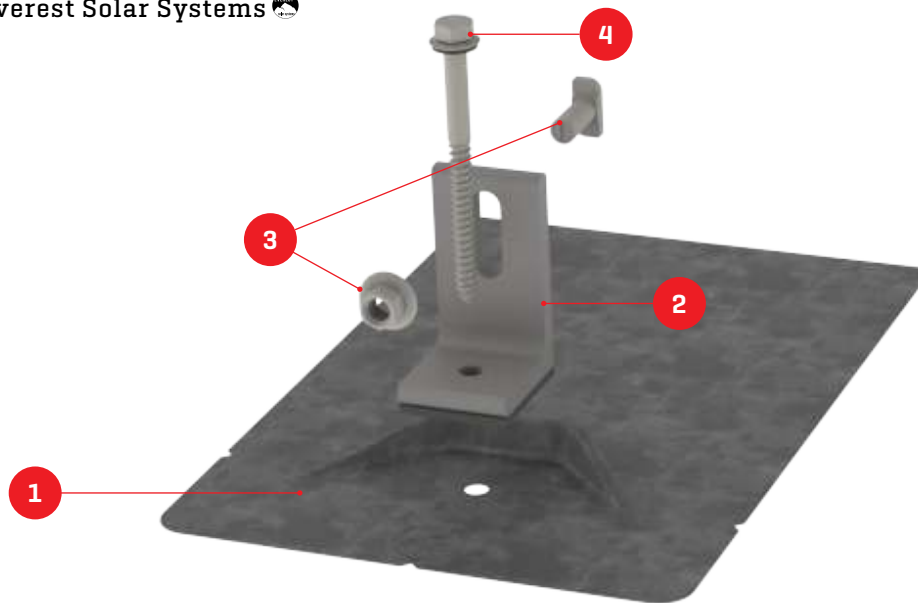
**Watertight Seal**

- ▶ EPDM sealing washer on lag bolt
- ▶ K2 EverSeal gasket seals L-Foot-Flashing connection



# K2 Flash Comp Kit

## TECHNICAL SHEET



Item Number	Description	Part Number
1	K2 Flash Comp Flashing	4000156   K2 Flash Comp Kit, Mill 4000157   K2 Flash Comp Kit, Dark
2	K2 Flash L-Foot	
3	T-Bolt & Hex Nut	
4	5/16" Lag Screw w/ EPDM Washer	

## Technical Data

K2 Flash Comp Kit	
Roof Type	Composition/asphalt shingle
Flashing Material	Galvalume [Mill] Painted galvalume [Dark]
L-Foot Material	Aluminum
Hardware Material	Stainless steel
Finish	Mill and Dark
Roof Connection	5/16" x 3" SS Lag Screw
Compatibility	CrossRail 44-X, 48-X, 48-XL, 80
Water Proof Testing	Water seal tested to UL 441 Section 27 rain test TAS 100-95 wind driven rain test Full submersion water test
Structural Testing	ASTM D 1761-12
Bonding	UL 2703 Listed L-Foot
Box/Kit Quantity	20