



DEPARTMENT OF REGULATORY AND ECONOMIC RESOURCES (RER)
 BOARD AND CODE ADMINISTRATION DIVISION

NOTICE OF ACCEPTANCE (NOA)

MIAMI-DADE COUNTY
 PRODUCT CONTROL SECTION
 11805 SW 26 Street, Room 208
 Miami, Florida 33175-2474
 T (786) 315-2590 F (786) 315-2599
www.miamidade.gov/economy

K2 Systems, LLC
4665 North Ave. Suite 1
Oceanside, CA 92056

SCOPE: This NOA is being issued under the applicable rules and regulations governing the use of construction materials. The documentation submitted has been reviewed and accepted by Miami-Dade County RER-Product Control Section to be used in Miami-Dade County and other areas where allowed by the Authority Having Jurisdiction (AHJ).

This NOA shall not be valid after the expiration date stated below. The Miami-Dade County Product Control Section (In Miami-Dade County) and/ or the AHJ (in areas other than Miami-Dade County) reserve the right to have this product or material tested for quality assurance purposes. If this product or material fails to perform in the accepted manner, the manufacturer will incur the expense of such testing and the AHJ may immediately revoke, modify, or suspend the use of such product or material within their jurisdiction. RER reserves the right to revoke this acceptance if it is determined by Miami-Dade County Product Control Section that this product or material fails to meet the requirements of the applicable building code.

This product is approved as described herein and has been designed to comply with the Florida Building Code, including the High Velocity Hurricane Zone.

DESCRIPTION: Splice Foot X, Splice Foot XL and L-Foot Ecofasten w/ eComp Flashing Aluminum Solar Mounts

APPROVAL DOCUMENT: Drawing titled "Splice Foot X, Splice Foot XL and Everflash eComp Kit", sheets 1 through 12 of 12, prepared by K2 Systems, dated on 01/11/2022, with revision C dated 07/07/2022, signed and sealed by Paul K. Zacher, P.E., bearing the Miami-Dade County Product Control revision stamp with the Notice of Acceptance number and expiration date by the Miami-Dade County Product Control Section.

MISSILE IMPACT RATING: None

LABELING: Each box shall bear a permanent label with the manufacturer's name or logo, city, state and following statement: "Miami-Dade County Product Control Approved or MDCPCA", unless otherwise noted herein.

Limitation: The allowable fastener uplift and lateral on drawing sheets 3 and 6 are total (for the 2 fasteners).

RENEWAL of this NOA shall be considered after a renewal application has been filed and there has been no change in the applicable building code negatively affecting the performance of this product.

TERMINATION of this NOA will occur after the expiration date or if there has been a revision or change in the materials, use, and/or manufacture of the product or process. Misuse of this NOA as an endorsement of any product, for sales, advertising or any other purposes shall automatically terminate this NOA. Failure to comply with any section of this NOA shall be cause for termination and removal of NOA.

ADVERTISEMENT: The NOA number preceded by the words Miami-Dade County, Florida, and followed by the expiration date may be displayed in advertising literature. If any portion of the NOA is displayed, then it shall be done in its entirety.

INSPECTION: A copy of this entire NOA shall be provided to the user by the manufacturer or its distributors and shall be available for inspection at the job site at the request of the Building Official.

This NOA **revises NOA # 22-0516.04** and consists of this page 1, evidence pages E-1 and E-2, as well as approval document mentioned above.

The submitted documentation was reviewed by **Carlos M. Utrera, P.E.**



NOA No: 22-0719.06
Expiration Date: February 17, 2027
Approval Date: August 25, 2022
Page 1

NOTICE OF ACCEPTANCE: EVIDENCE SUBMITTED

1. Evidence submitted under previous NOAs

A. DRAWINGS

1. Drawing titled “Splice Foot X and Everflash eComp Kit”, sheets 1 through 9 of 9, prepared by K2 Systems, dated on 01/11/2022, signed and sealed by Paul K. Zacher, P.E. on 05/09/2022.

B. TESTS “Submitted under NOA # 21-0727.03”

1. Test report on Uplift and Shear Allowable Loads of the eComp Flashing Solar Mount per ASTM D7147-11, prepared by Intertek, Test Report No. **M1451.02-119-18 R0**, dated 06/29/2021, signed and sealed by Daniel C. Culbert, P.E.
2. Test report on Uplift and Shear Allowable Loads of the Splice Foot per ASTM D7147-11, prepared by Intertek, Test Report No. **M1453.02-119-18 R0**, dated 06/29/2021, signed and sealed by Daniel C. Culbert, P.E.
3. Test report on Wind Driven Rain Resistance of the eComp Flashing per TAS 100(A)-95, prepared by Intertek, Test Report No. **M1451.01-109-18**, dated 05/18/2021, signed and sealed by Daniel C. Culbert, P.E.
4. Test report on Wind Driven Rain Resistance of the Splice Foot per TAS 100(A)-95, prepared by Intertek, Test Report No. **M1453.01-109-18**, dated 05/18/2021, signed and sealed by Daniel C. Culbert, P.E.

C. CALCULATIONS “Submitted under NOA # 21-0727.03”

1. Anchor calculations prepared by PZ Structural Engineers, dated 01/24/2022, signed and sealed by Paul K. Zacher, P.E.

D. MATERIAL CERTIFICATIONS

1. None.

E. QUALITY ASSURANCE

1. Miami-Dade Department of Regulatory and Economic Resources (RER).

F. STATEMENTS “Submitted under NOA # 21-0727.03”

1. Statement letter of code conformance to the 7th edition (2020) of the FBC issued by PZ Structural Engineers, dated 01/24/2022, signed and sealed by Paul K. Zacher, P.E.
2. Statement letter of no financial interest issued by PZ Structural Engineers, dated 07/13/2021, signed and sealed by Paul K. Zacher, P.E.



Carlos M. Utrera, P.E.
Product Control Examiner
NOA No: 22-0719.06
Expiration Date: February 17, 2027
Approval Date: August 25, 2022

NOTICE OF ACCEPTANCE: EVIDENCE SUBMITTED

2. New evidence submitted

A. DRAWINGS

1. Drawing titled “Splice Foot X, Splice Foot XL and Everflash eComp Kit”, sheets 1 through 12 of 12, prepared by K2 Systems, dated on 01/11/2022, with revision C dated 07/07/2022, signed and sealed by Paul K. Zacher, P.E.

B. TESTS

1. Test report on Uplift and Shear Allowable Loads of the Splice Foot XL Solar Mount per ASTM D7147-11, prepared by Intertek, Test Report No. **N8734.01-119-18-R0**, dated 06/29/2022, signed and sealed by Vinu J. Abraham, P.E.
3. Test report on Wind Driven Rain Resistance of the Splice Foot XL Solar Mount per TAS 100(A)-95, prepared by Intertek, Test Report No. **N2321.01-109-18**, dated 02/23/2022, signed and sealed by Vinu J. Abraham, P.E.

C. CALCULATIONS

1. Anchor calculations prepared by PZ Structural Engineers, dated 07/11/2022, signed and sealed by Paul K. Zacher, P.E.

D. MATERIAL CERTIFICATIONS

1. None.

E. QUALITY ASSURANCE

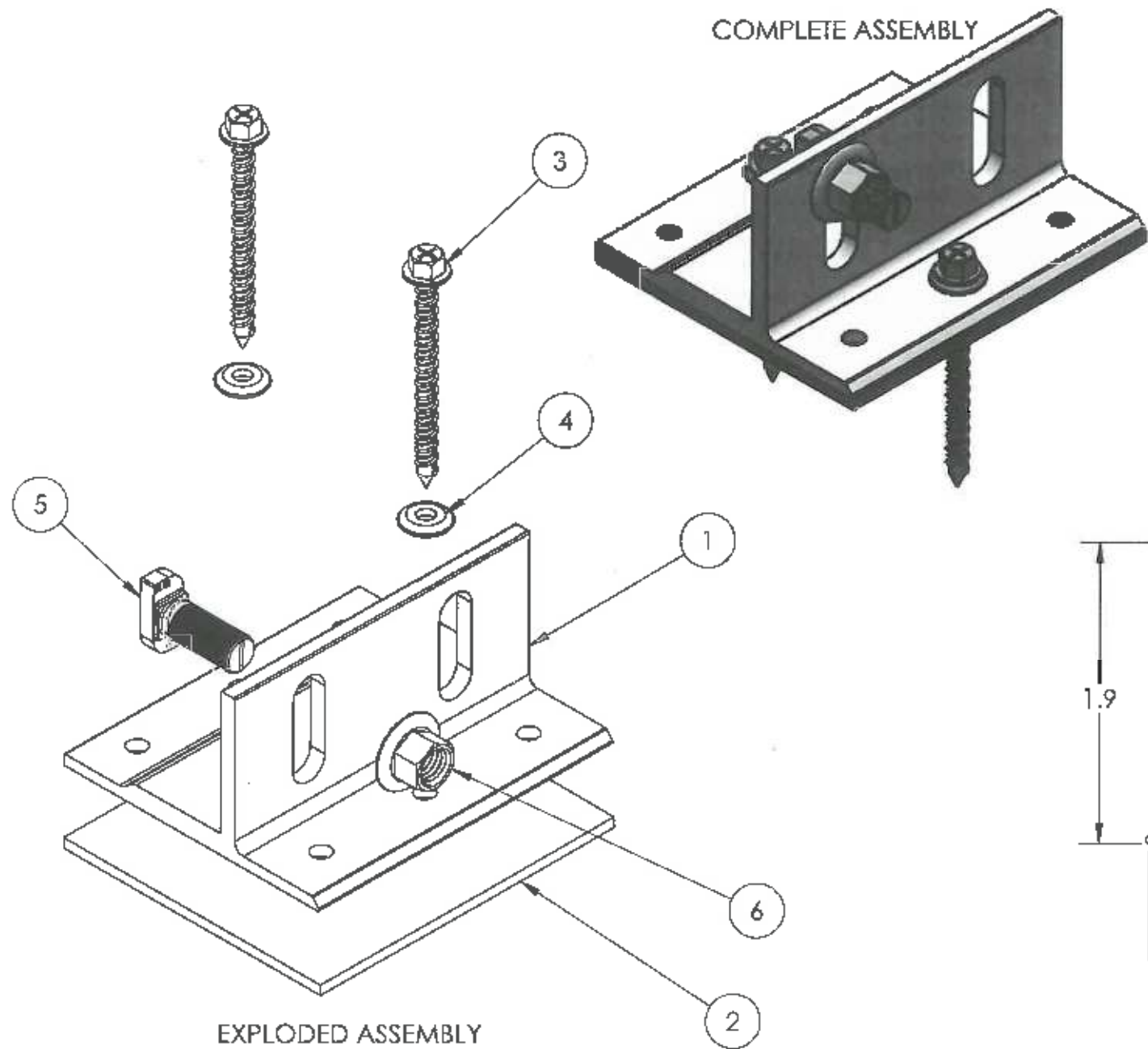
1. Miami-Dade Department of Regulatory and Economic Resources (RER).

F. STATEMENTS

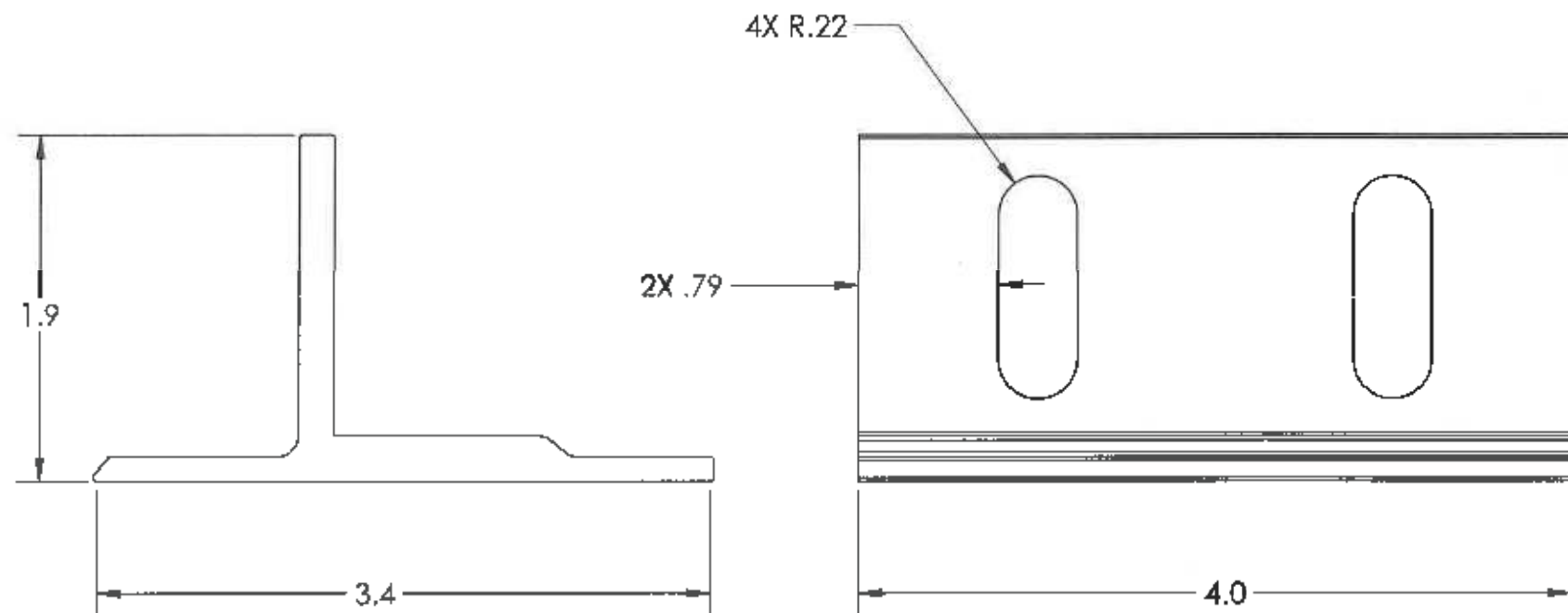
1. Statement letter of code conformance to the 7th edition (2020) of the FBC issued by PZ Structural Engineers, dated 07/11/2022, signed and sealed by Paul K. Zacher, P.E.
2. Statement letter of no financial interest issued by PZ Structural Engineers, dated 07/11/2022, signed and sealed by Paul K. Zacher, P.E.



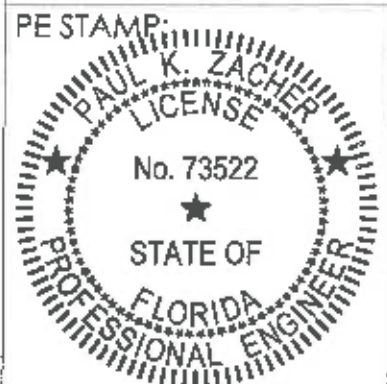
Carlos M. Utrera, P.E.
Product Control Examiner
NOA No: 22-0719.06
Expiration Date: February 17, 2027
Approval Date: August 25, 2022



PART BILL OF MATERIALS				
ITEM	QTY	DESCRIPTION	ALLOY MATERIAL	TEMPER
1	1	SPLICE FOOT X	AL 6005A	T61
2	1	SPLICE FOOT BUTYL, 3 1/2"X4"	N/A	N/A
3	2	K2 WOOD SCREW MINI	STAINLESS STEEL	N/A
4	2	SEALING WASHER	SS AND EPDM	N/A
5	1	T-BOLT 28/15 M10X25 SS	STAINLESS STEEL	N/A
6	1	HEX FLANGE NUT SERR, SS, M10	STAINLESS STEEL	N/A



SPLICE FOOT X DIMENSIONS



PE SIGNATURE: _____ PE DATE: 07/11/2022

PRODUCT REVISED
 as complying with the Florida
 Building Code
 NOA-No. 22-0719.06
 Expiration Date 02/17/2027
 By *[Signature]*
 Miami-Dade Product Control

K2 Systems
 4665 North Avenue Suite 1
 Oceanside, CA 92056
 phone 760.301.5300

DESCRIPTION:
 SPLICE FOOT X KIT ASSEMBLY

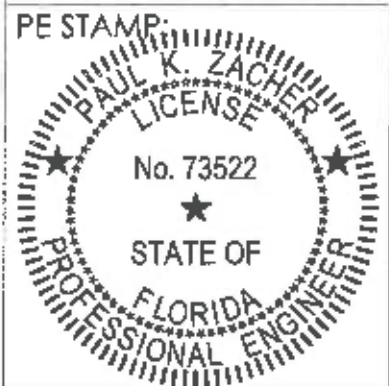
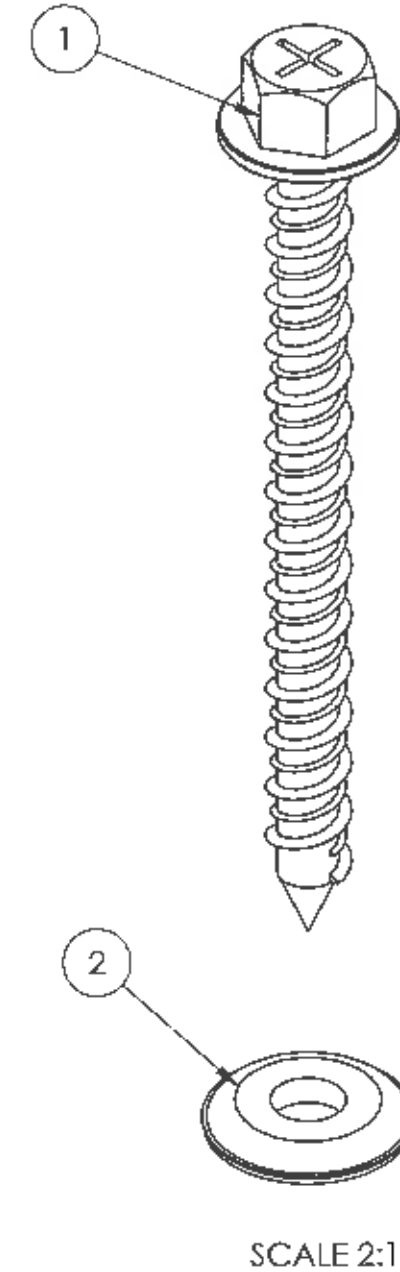
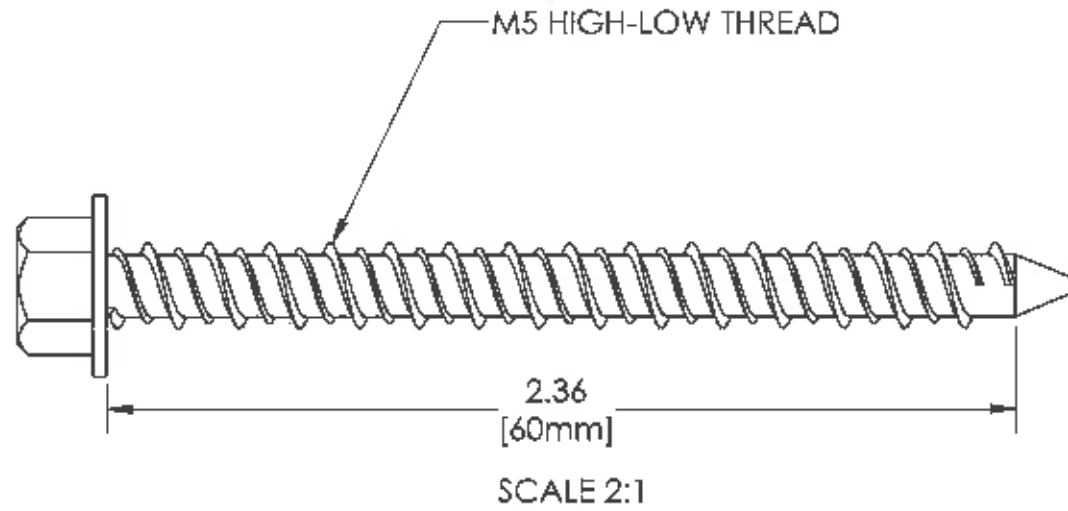
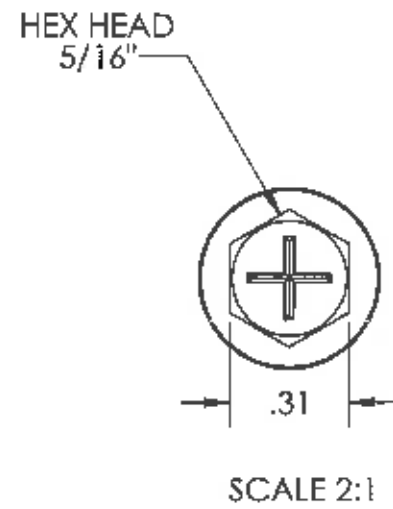
REVISION	DATE	DESCRIPTION
A	01/11/2022	INITIAL RELEASE
B	05/10/2022	
C	07/07/2022	

DRAWN BY
 R. ESTRADA

Project:
 Miami Dade County NOA

SCREW MATERIAL: STAINLESS STEEL 304

PART BILL OF MATERIALS			
ITEM	QTY	DESCRIPTION	MATERIAL
1	1	K2 WOOD SCREW MINI	STAINLESS STEEL
2	1	SEALING WASHER	STAINLESS STEEL AND EPDM



PE SIGNATURE: _____ PE DATE: 07/11/2022

PRODUCT REVISED
 as complying with the Florida Building Code
 NOA-No. 22-0719.06
 Expiration Date 02/17/2027
 By *[Signature]*
 Miami-Dade Product Control

K2 Systems
 4665 North Avenue Suite 1
 Oceanside, CA 92056
 phone 760.301.5300

DESCRIPTION:
 K2 WOOD SCREW MINI DETAIL

REVISION	DATE	DESCRIPTION
A	01/11/2022	INITIAL RELEASE
B	05/10/2022	
C	07/07/2022	

DRAWN BY
 R. ESTRADA

Project:
 Miami Dade County NOA

SPLICE FOOT X FOR COMPOSITION SHINGLE ROOF MOUNTING

REFER TO K2 ENGINEERING CHARTS FOR APPLICABLE CROSSRAIL SPANS

FOR USE AS A RAIL SPLICE, DISTANCE TO THE NEXT SPLICE FOOT X MOUNT MUST BE EQUAL OR LESS THAN THE MAX ALLOWABLE ATTACHMENT SPAN PER K2 ENGINEERING CHARTS

NO PILOT HOLE REQUIRED FOR SELF DRILLING SCREWS

REFER TO K2 CROSSRAIL INSTALATION MANUAL FOR HARDWARE TORQUE

STRUCTURAL MEMBER SPECIFICATIONS:

MINIMUM WOOD GRADE = SPF #2

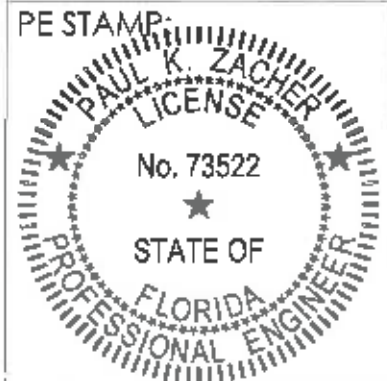
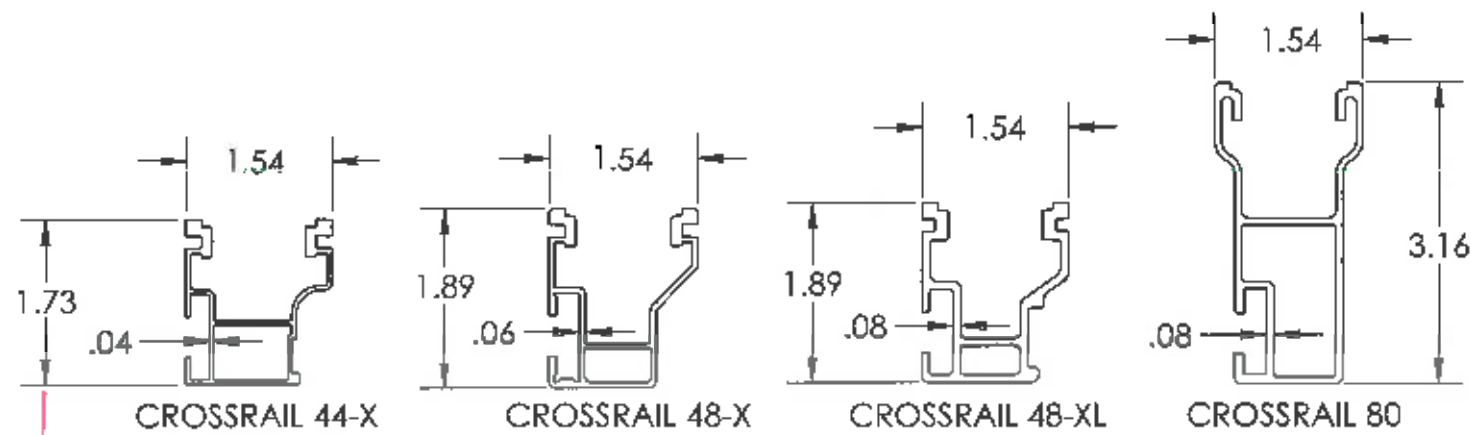
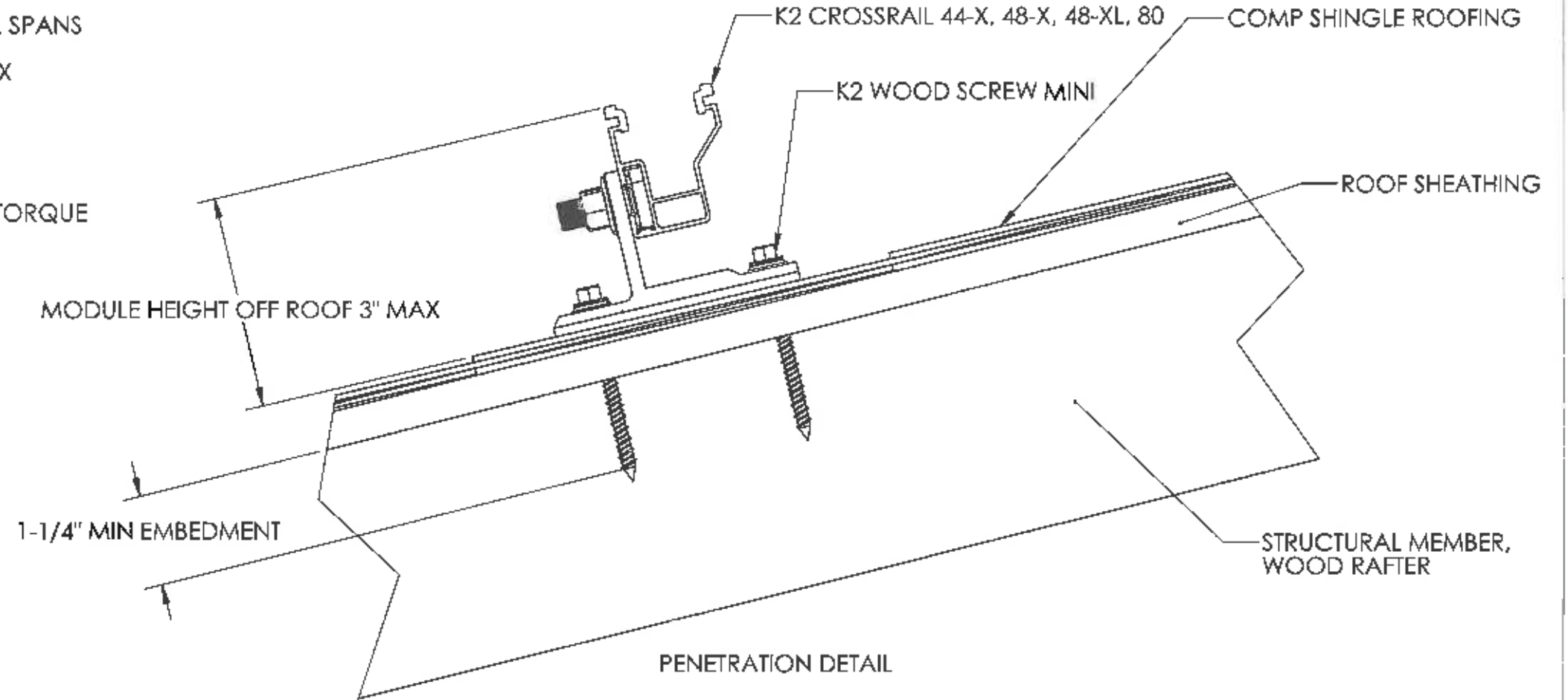
MINIMUM SPECIFIC GRAVITY = 0.42

ALLOWABLE FASTENER UPLIFT = 507.7 LBS

ALLOWABLE FASTENER LATERAL = 216 LBS

MINIMUM FASTENER EDGE DISTANCE = 0.3"

MINIMUM FASTENER END DISTANCE = 1.4"



PE SIGNATURE: _____ PE DATE: 07/11/2022

PRODUCT REVISED
 as complying with the Florida Building Code
 NOA-No. 22-0719.06
 Expiration Date 02/17/2027
 By *[Signature]*
 Miami-Dade Product Control

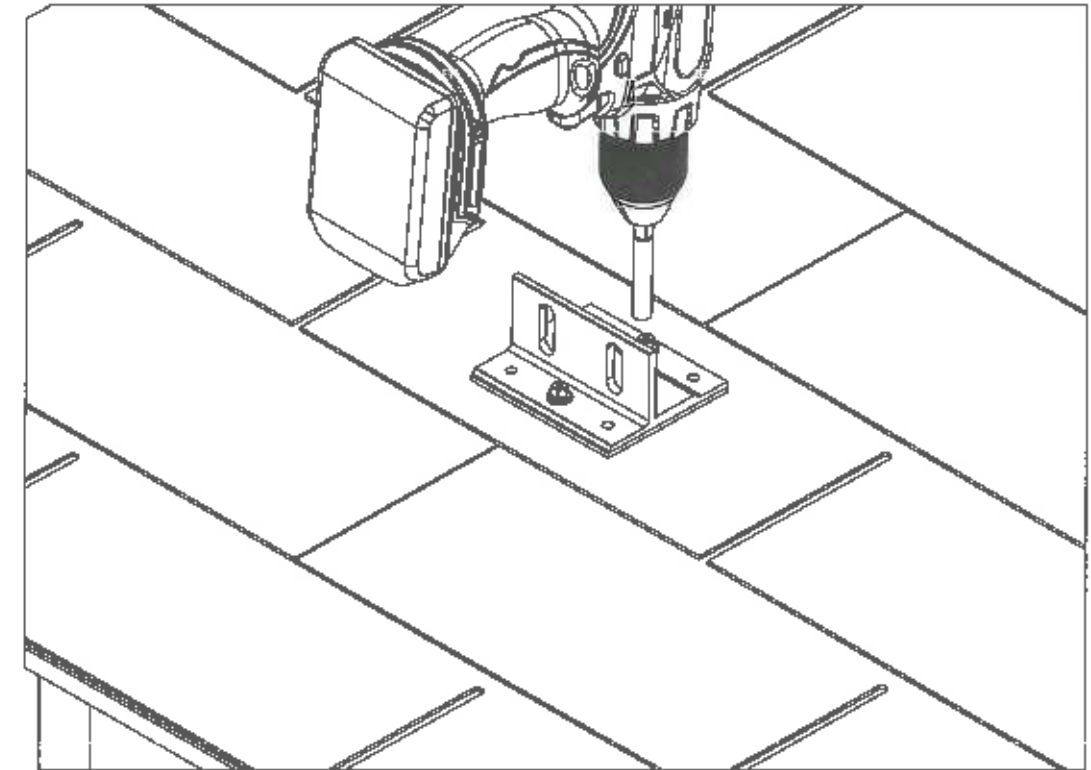
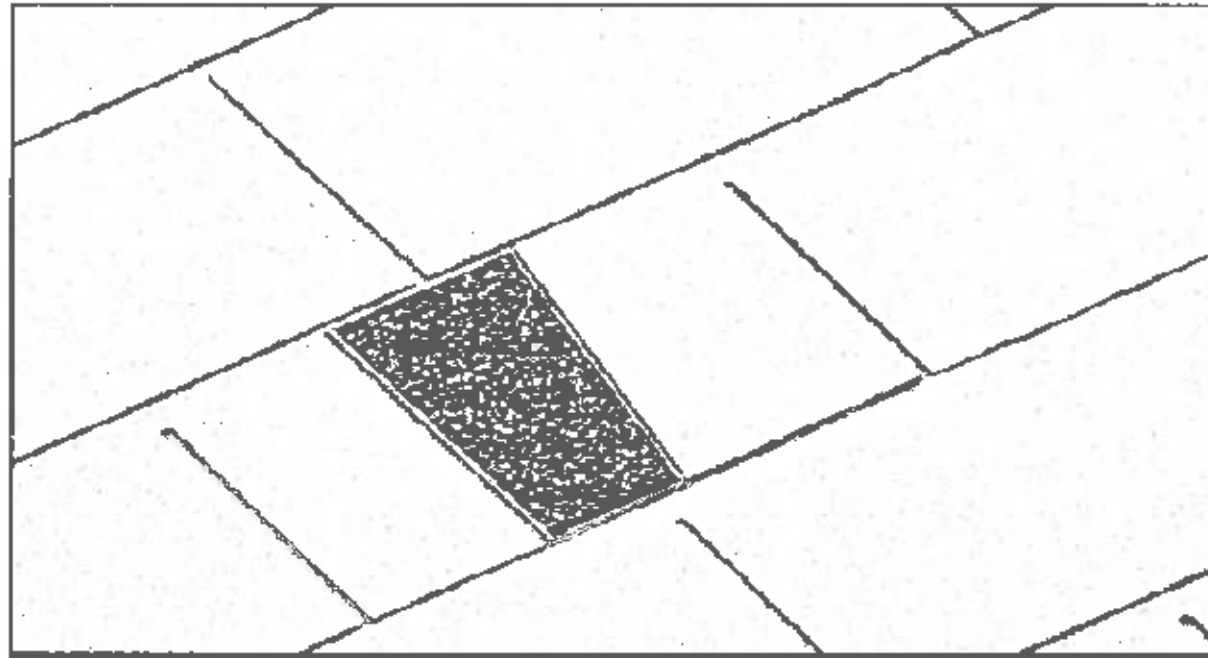
K2 Systems
 4665 North Avenue Suite 1
 Oceanside, CA 92056
 phone 760.301.5300

DESCRIPTION:
 SPLICE FOOT X ATTACHMENT DETAIL

REVISION	DATE	DESCRIPTION
A	01/11/2022	INITIAL RELEASE
B	05/10/2022	
C	07/07/2022	

DRAWN BY: R. ESTRADA
 Project: Miami Dade County NOA

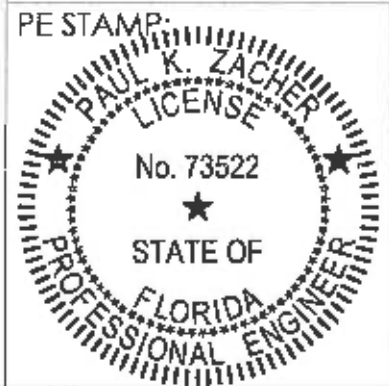
REUIRED TOOLS:
 5/16" SOCKET
 SOCKET WRENCH
 COMP SHINGLE START COURSE OR K2 BUTYL (FOR UNEVEN SURFACES)



STEP 1:
 Corner out and mark array on roof. Snap chalk lines for rail location within shingle course. (Refer to module manufacturer frame clamping zones). Mark mounting locations over rafters and chalk lines within shingle course. Refer to engineering letters for allowable mount spacing.

STEP 1 (CONTINUED):
LEVELING UNEVEN ROOF SURFACES:
 If shingle surface is not level, use an additional piece of K2 butyl or a standard comp shingle starter course to level out the roof surface under the Splice Foot.

STEP 2:
 Locate the rafter and clean roofing surface for mount placement. Peel back protective paper from butyl, and stick down mount on a single shingle course with the two center holes lining up over the rafter. Position all mounts in the same direction with the long side towards the ridge. Drive provided lag screws into the rafter until the EPDM seal begins to deform, providing a positive seal. Do not over torque.



PE SIGNATURE: _____ PE DATE: 07/11/2022

PRODUCT REVISED
 as complying with the Florida Building Code
 NOA-No. 22-0719.06
 Expiration Date 02/17/2027
 By *[Signature]*
 Miami-Dade Product Control

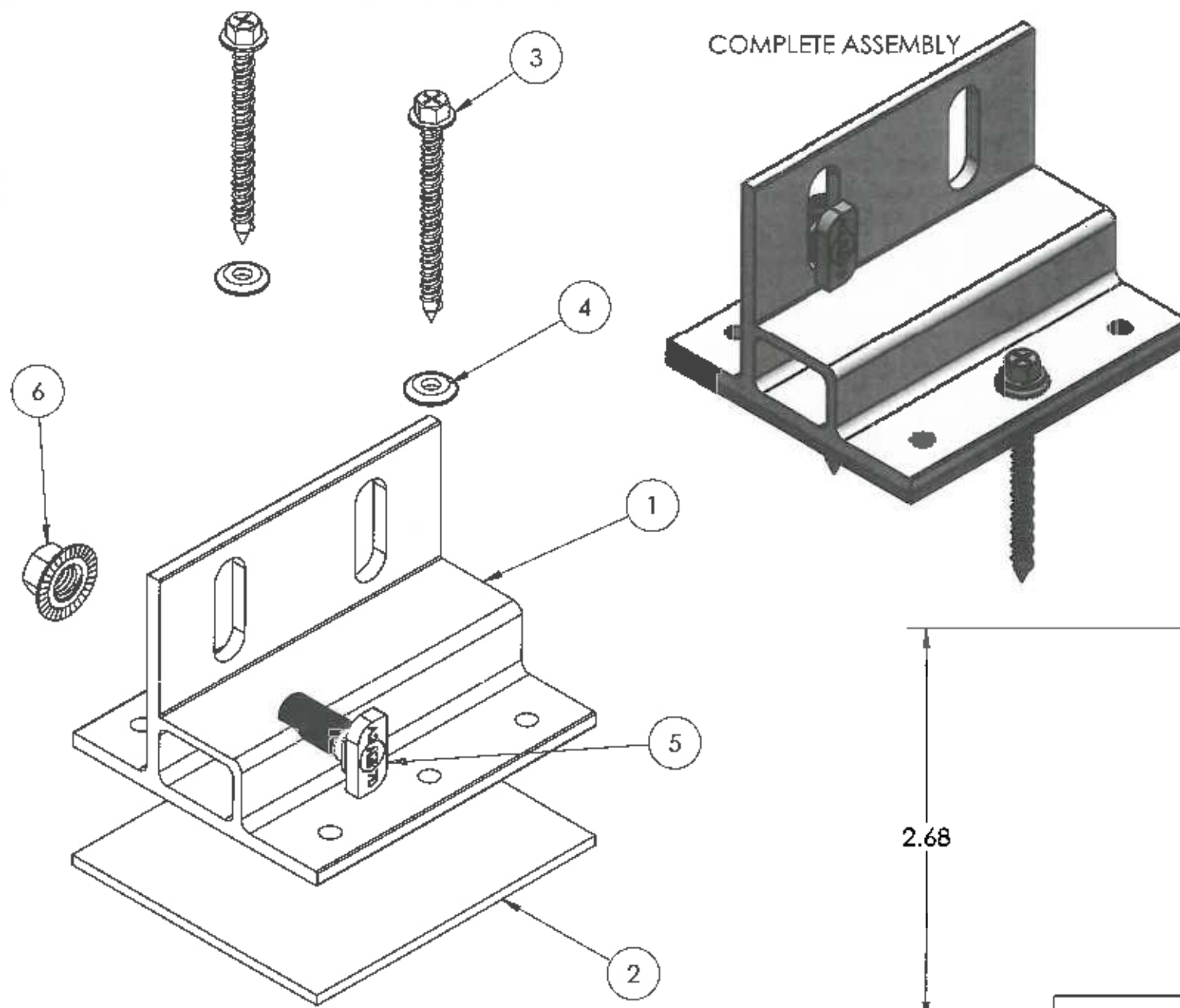
 K2 Systems
 4665 North Avenue Suite 1
 Oceanside, CA 92056
 phone 760.301.5300

DESCRIPTION:
 SPLICE FOOT X INSTALLATION

REVISION	DATE	DESCRIPTION
A	01/11/2022	INITIAL RELEASE
B	05/10/2022	
C	07/07/2022	

DRAWN BY
 R. ESTRADA

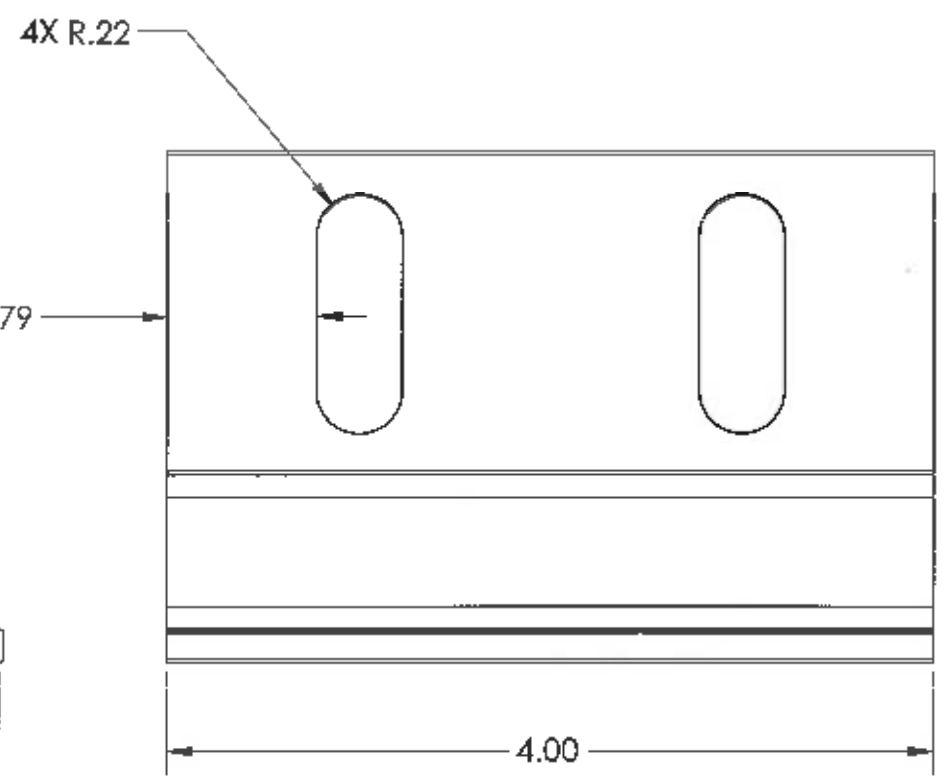
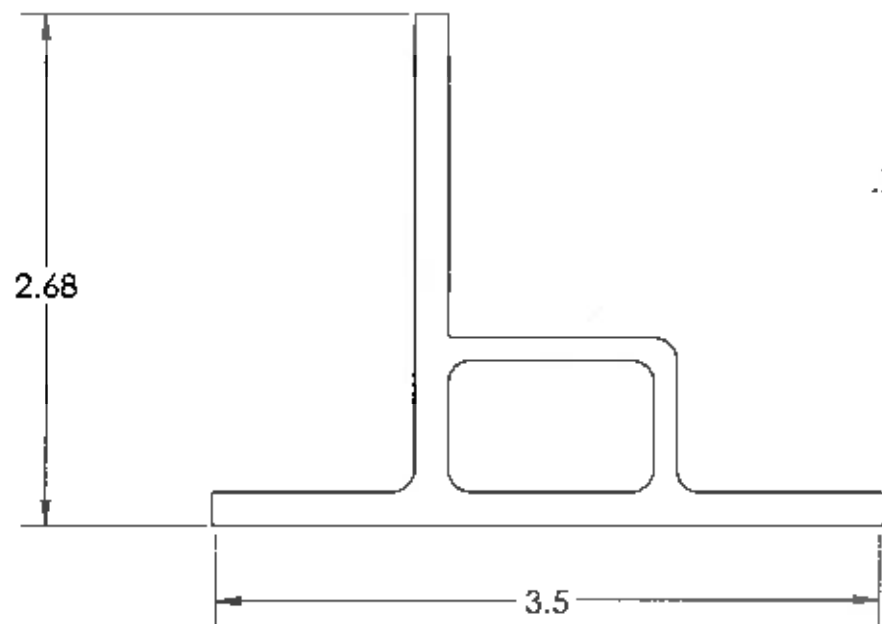
Project:
 Miami Dade County NOA



COMPLETE ASSEMBLY

EXPLODED ASSEMBLY

PART BILL OF MATERIALS				
ITEM	QTY	DESCRIPTION	ALLOY MATERIAL	TEMPER
1	1	SPLICE FOOT XL	AL 6005A	T61
2	1	SPLICE FOOT BUTYL, 3 1/2"X4"	N/A	N/A
3	2	K2 WOOD SCREW MINI	STAINLESS STEEL	N/A
4	2	SEALING WASHER	SS AND EPDM	N/A
5	1	T-BOLT 28/15 M10X25 SS	STAINLESS STEEL	N/A
6	1	HEX FLANGE NUT SERR, SS, M10	STAINLESS STEEL	N/A



SPLICE FOOT XL DIMENSIONS



PE SIGNATURE: _____ PE DATE: 07/11/2022

PRODUCT REVISED
 as complying with the Florida Building Code
 NOA-No. 22-0719.06
 Expiration Date 02/17/2027
 By *[Signature]*
 Miami-Dade Product Control

K2 Systems
 4665 North Avenue Suite I
 Oceanside, CA 92056
 phone 760.301.5300

DESCRIPTION:
 SPLICE FOOT XL KIT ASSEMBLY

REVISION	DATE	DESCRIPTION
A	01/11/2022	INITIAL RELEASE
B	05/10/2022	
C	07/07/2022	

DRAWN BY
 R. ESTRADA

Project:
 Miami Dade County NOA

SPLICE FOOT XL FOR COMPOSITION SHINGLE ROOF MOUNTING

REFER TO K2 ENGINEERING CHARTS FOR APPLCABLE CROSSRAIL SPANS

FOR USE AS A RAIL SPLICE, DISTANCE TO THE NEXT SPLICE FOOT XL MOUNT MUST BE EQUAL OR LESS THAN THE MAX ALLOWABLE ATTACHMENT SPAN PER K2 ENGINEERING CHARTS

NO PILOT HOLE REQUIRED FOR SELF DRILLING SCREWS

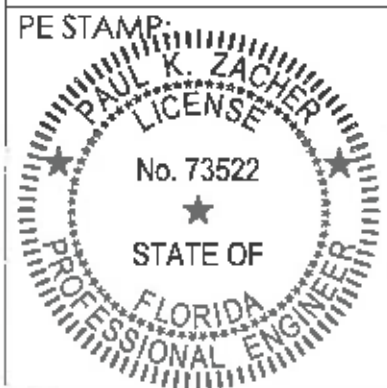
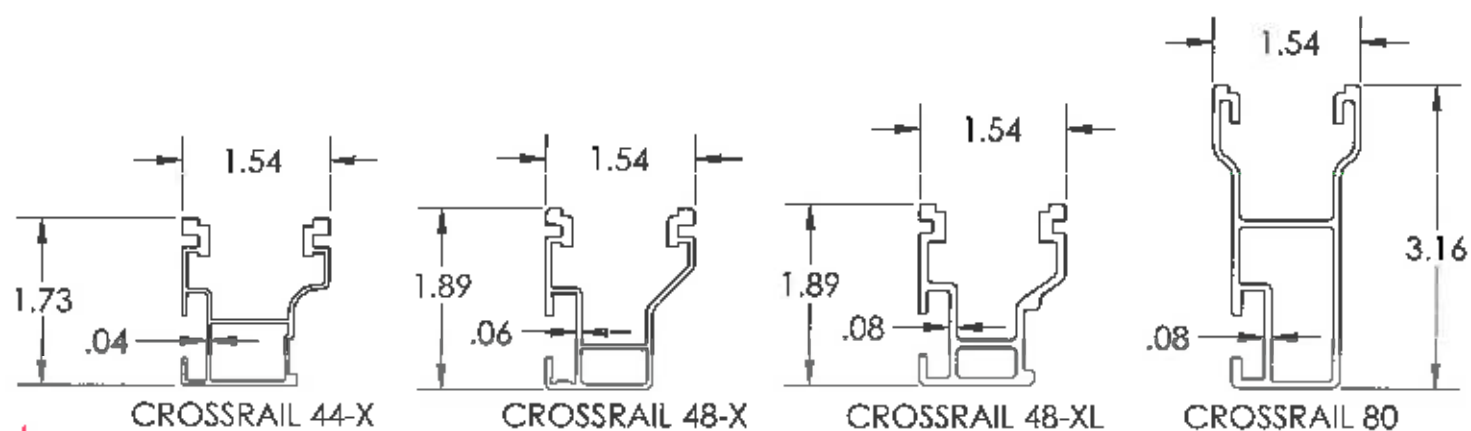
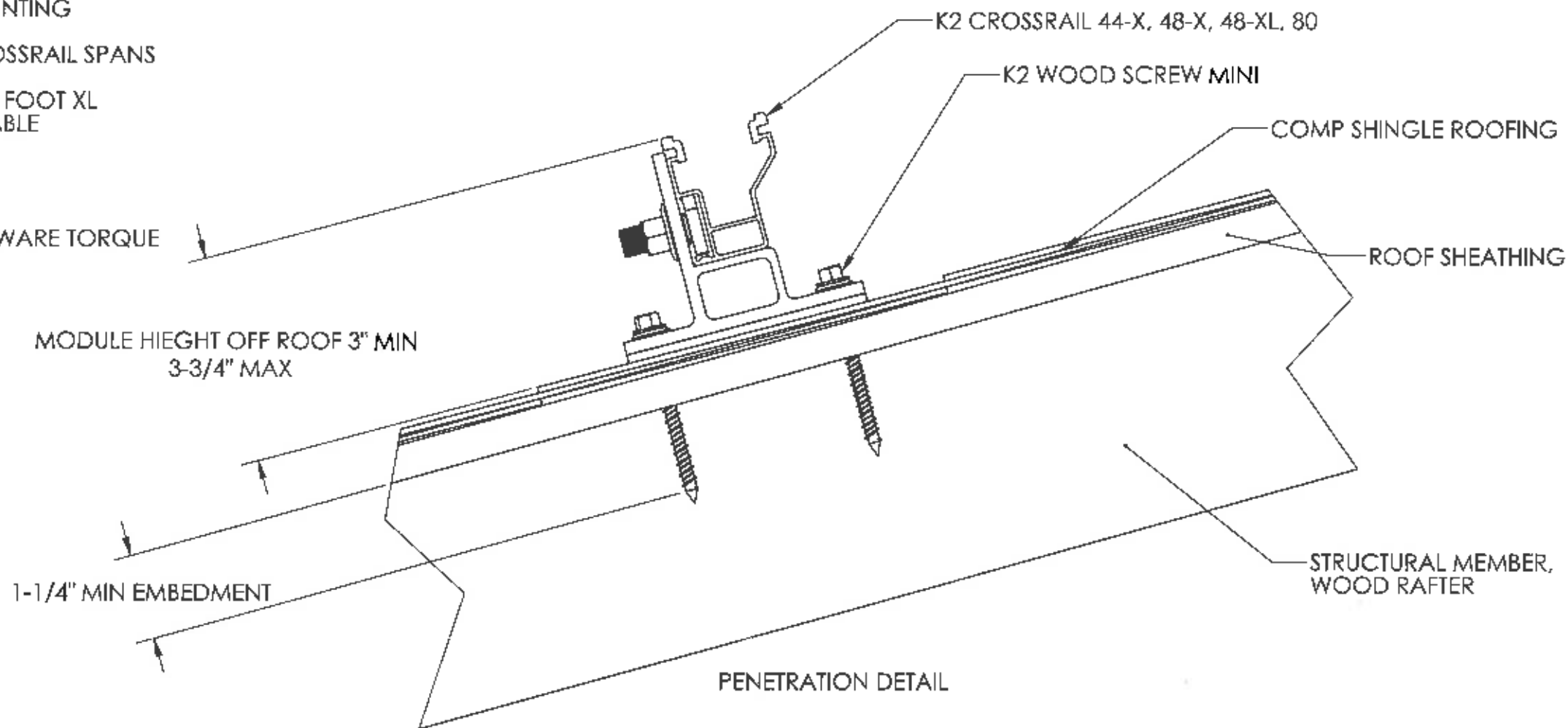
REFER TO K2 CROSSRAIL INSTLATION MANUAL FOR HARDWARE TORQUE

STRUCTURAL MEMBER SPECIFICATIONS:

MINIMUM WOOD GRADE = SPF #2
MINIMUM SPECIFIC GRAVITY = 0.42

ALLOWABLE FASTENER UPLIFT = 424 LBS
ALLOWABLE FASTENER LATERAL = 216 LBS

MINIMUM FASTENER EDGE DISTANCE = 0.295"
MINIMUM FASTENER END DISTANCE = 1.4"



PE SIGNATURE: _____ PE DATE: 07/11/2022

PRODUCT REVISED
as complying with the Florida Building Code
NOA-No. 22-0719.06
Expiration Date 02/17/2027
By *[Signature]*
Miami-Dade Product Control

K2 Systems
4665 North Avenue Suite
Oceanside, CA 92056
phone 760.301.5300

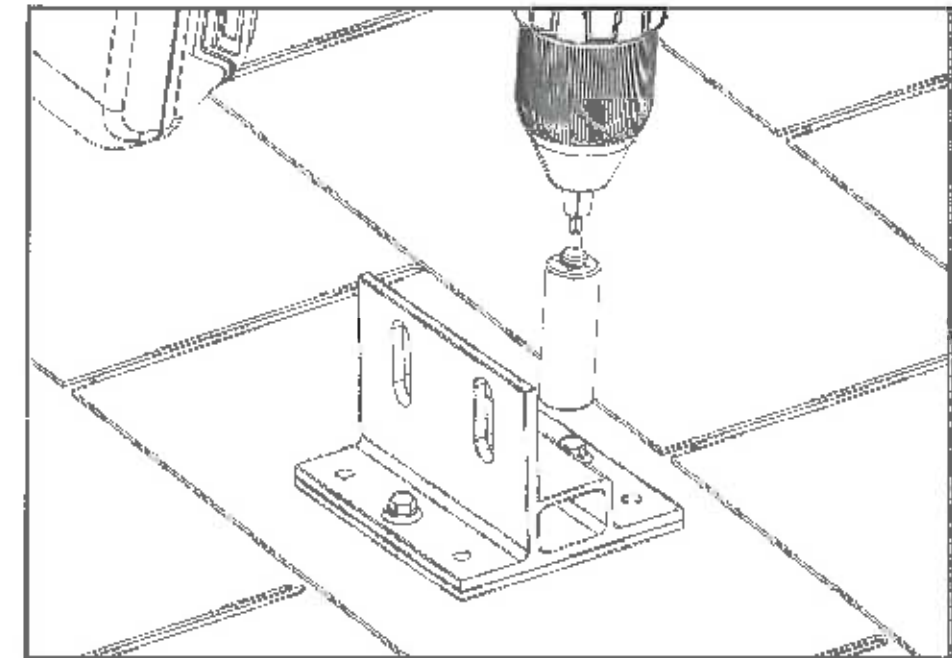
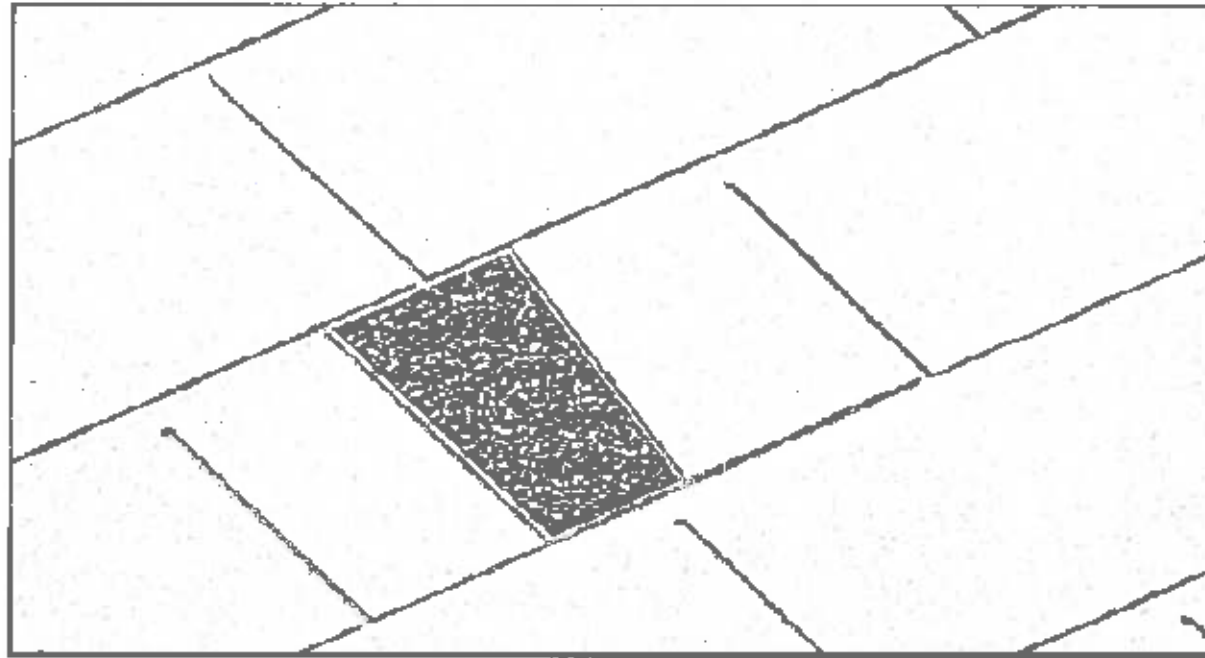
DESCRIPTION:
SPLICE FOOT XL ATTACHMENT DETAIL

REVISION	DATE	DESCRIPTION
A	01/11/2022	INITIAL RELEASE
B	05/10/2022	
C	07/07/2022	

DRAWN BY
R. ESTRADA

Project:
Miami Dade County NOA

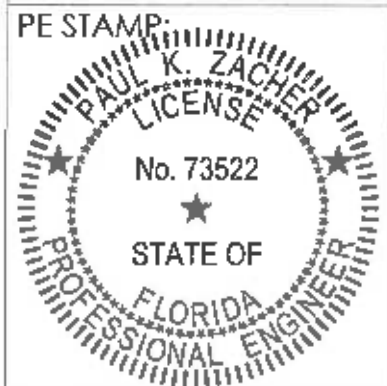
REUIRED TOOLS:
 5/16" SOCKET
 SOCKET WRENCH
 COMP SHINGLE START COURSE OR K2 BUTYL (FOR UNEVEN SURFACES)



STEP 1:
 Corner out and mark array on roof.
 Snap chalk lines for rail location within
 shingle course. (Refer to module manufacturer
 frame clamping zones). Mark mounting
 locations over rafters and chalk lines within
 shingle course. Refer to engineering letters for
 allowable mount spacing.

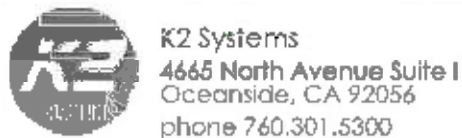
STEP 1 (CONTINUED):
LEVELING UNEVEN ROOF SURFACES:
 If shingle surface is not level, use an additional
 piece of K2 butyl or a standard comp
 shingle starter course to level out the roof
 surface under the Splice Foot.

STEP 2:
 Locate the rafter and clean roofing surface for mount placement.
 Peel back protective paper from butyl, and stick down mount on a
 single shingle course with the two center holes lining up over the rafter.
 Position all mounts in the same direction with the long side towards
 the ridge. Drive provided lag screws into the rafter until the EPDM seal
 begins to deform, providing a positive seal. Do not over torque.



PE SIGNATURE: _____ PE DATE: 07/11/2022

PRODUCT REVISED
 as complying with the Florida
 Building Code
 NOA-No. 22-0719.06
 Expiration Date 02/17/2027
 By *[Signature]*
 Miami-Dade Product Control

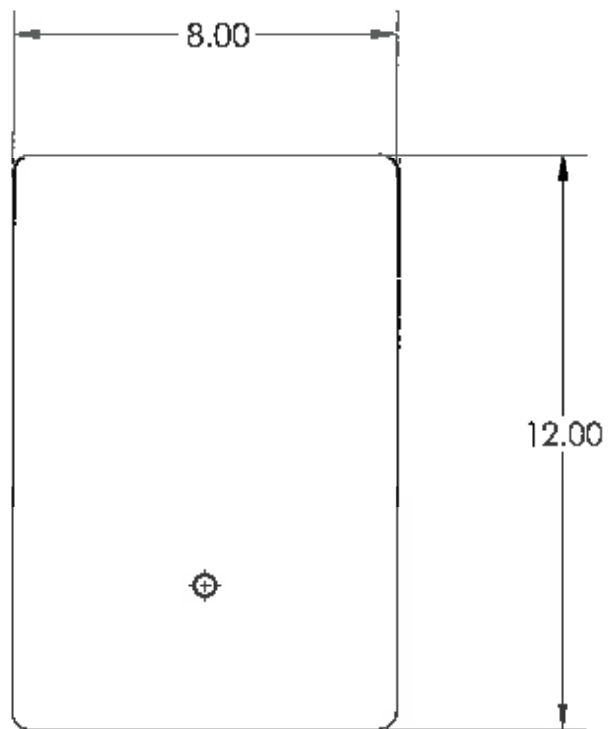


DESCRIPTION:
 SPLICE FOOT XL INSTALLATION

REVISION	DATE	DESCRIPTION
A	01/11/2022	INITIAL RELEASE
B	05/10/2022	
C	07/07/2022	

DRAWN BY
 R. ESTRADA

Project:
 Miami Dade County NOA



ECOFASTEN COMP FLASHING 8X12

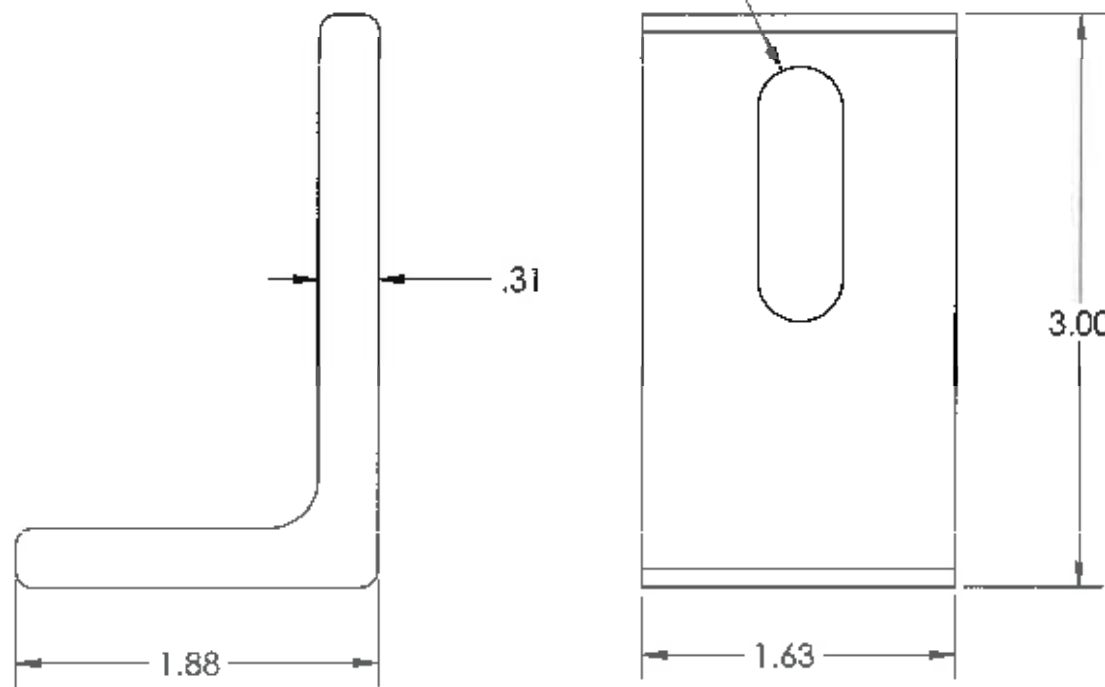
SCALE 1:4



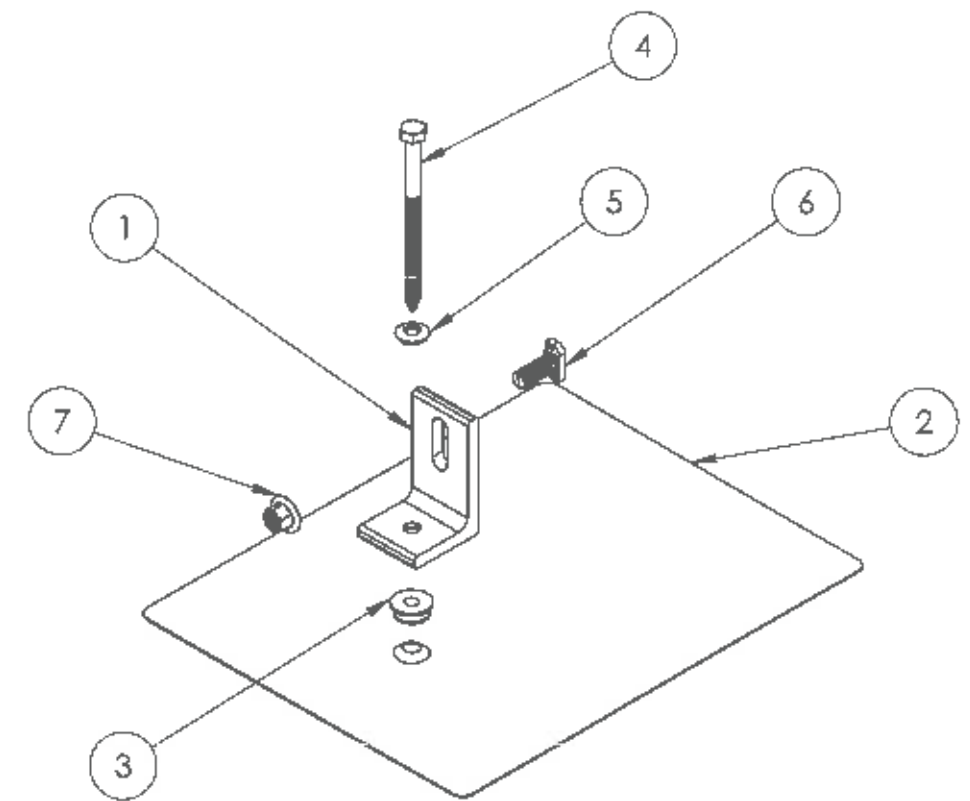
COMPLETE ASSEMBLY

PART BILL OF MATERIALS			
ITEM	QTY	DESCRIPTION	ALLOY MATERIAL
1	1	K2 L-FOOT ECOFASTEN	AL 6005A
2	1	ECOFASTEN COMP FLASHING 8X12	GALVALUME
3	1	ECOFASTEN SEALING WASHER	EPDM
4	1	LAG SCREW D145/16 X 4.5"	STAINLESS STEEL
5	1	LAG SCREW SEALING WASHER	SS AND EPDM
6	1	T-BOLT 28/15 M10X25 SS	STAINLESS STEEL
7	1	HEX FLANGE NUT SERR, SS, M10	STAINLESS STEEL

2X R.22

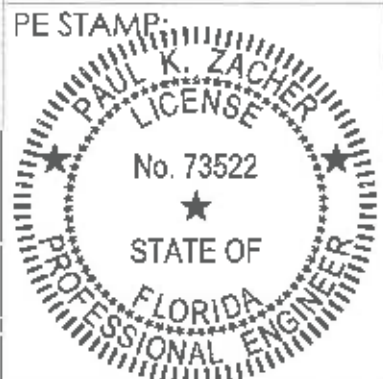


K2 L-FOOT ECOFASTEN DIMENSIONS



EXPLODED ASSEMBLY

PRODUCT REVISED
 as complying with the Florida
 Building Code
 NOA-No. 22-0719.06
 Expiration Date 02/17/2027
 By [Signature]
 Miami-Dade Product Control



PE SIGNATURE:

PE DATE:

07/11/2022



K2 Systems
 4665 North Avenue Suite 1
 Oceanside, CA 92056
 phone 760.301.5300

DESCRIPTION:

EVERFLASH ECOMP KIT 4.5" LAG ASSEMBLY

REVISION	DATE	DESCRIPTION
A	01/11/2022	INITIAL RELEASE
B	05/10/2022	
C	07/07/2022	

DRAWN BY

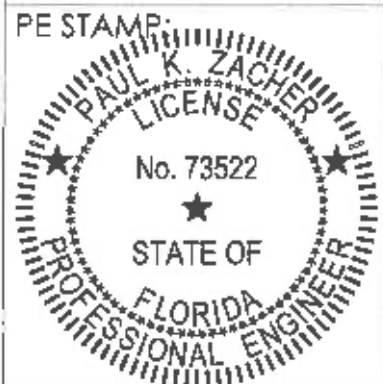
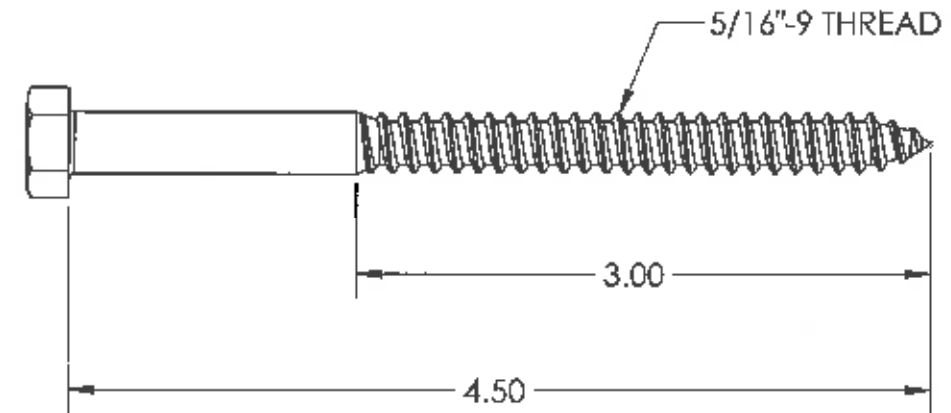
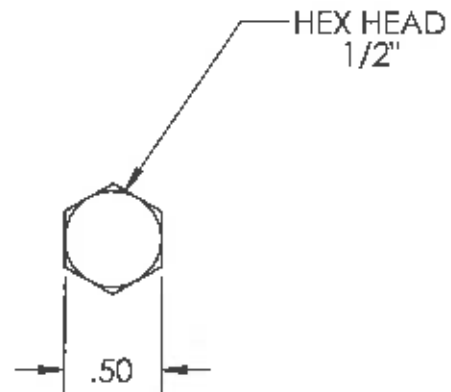
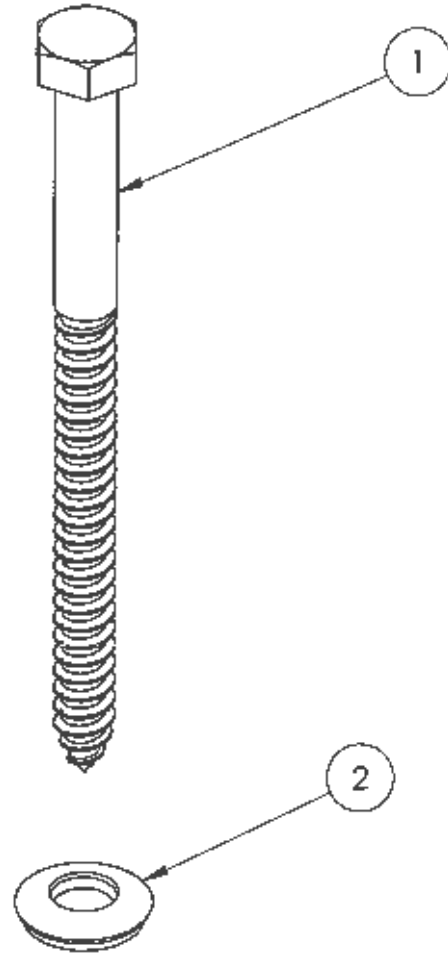
R. ESTRADA

Project:

Miami Dade County NOA

LAG SCREW MATERIAL: 18-8 STAINLESS STEEL

PART BILL OF MATERIALS			
ITEM	QTY	DESCRIPTION	ALLOY MATERIAL
1	1	LAG SCREW D145/16 X 4.5"	STAINLESS STEEL
2	1	LAG SCREW SEALING WASHER	SS AND EPDM



PE SIGNATURE: _____ PE DATE: 07/11/2022

PRODUCT REVISED
 as complying with the Florida
 Building Code
 NOA-No. 22-0719.06
 Expiration Date 02/17/2027
 By *[Signature]*
 Miami-Dade Product Control

DESCRIPTION:
 ECOMP LAG SCREW D145/16 X 4.5" DETAIL

REVISION	DATE	DESCRIPTION
A	01/11/2022	INITIAL RELEASE
B	05/10/2022	
C	07/07/2022	

DRAWN BY
 R. ESTRADA

Project:
 Miami Dade County NOA

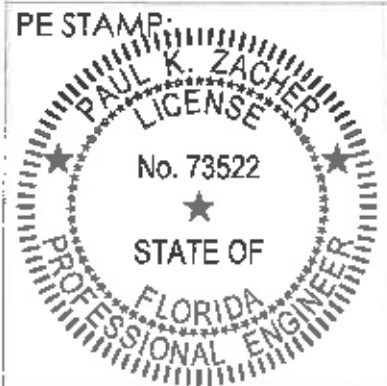
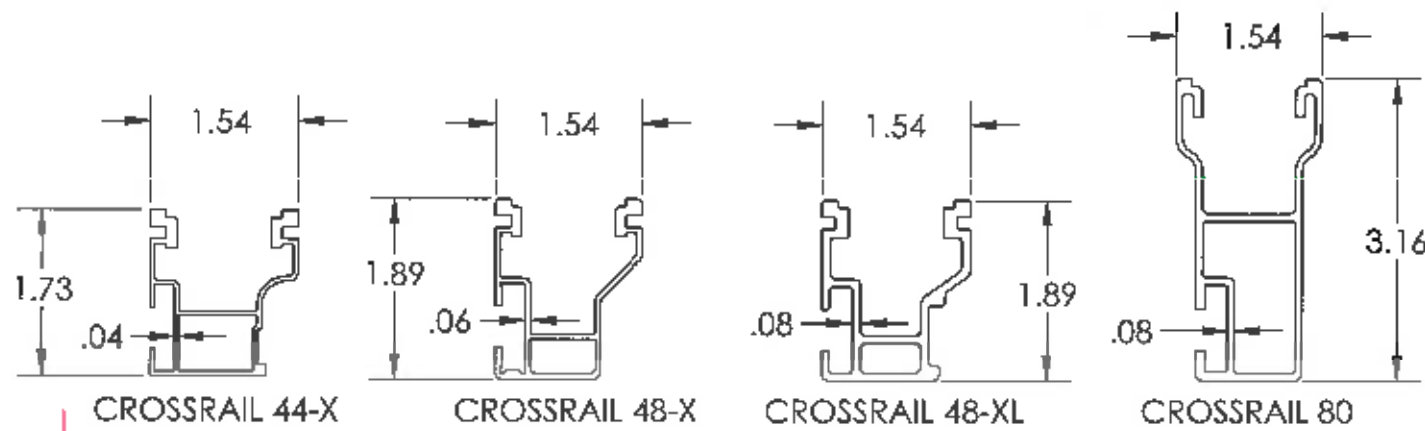
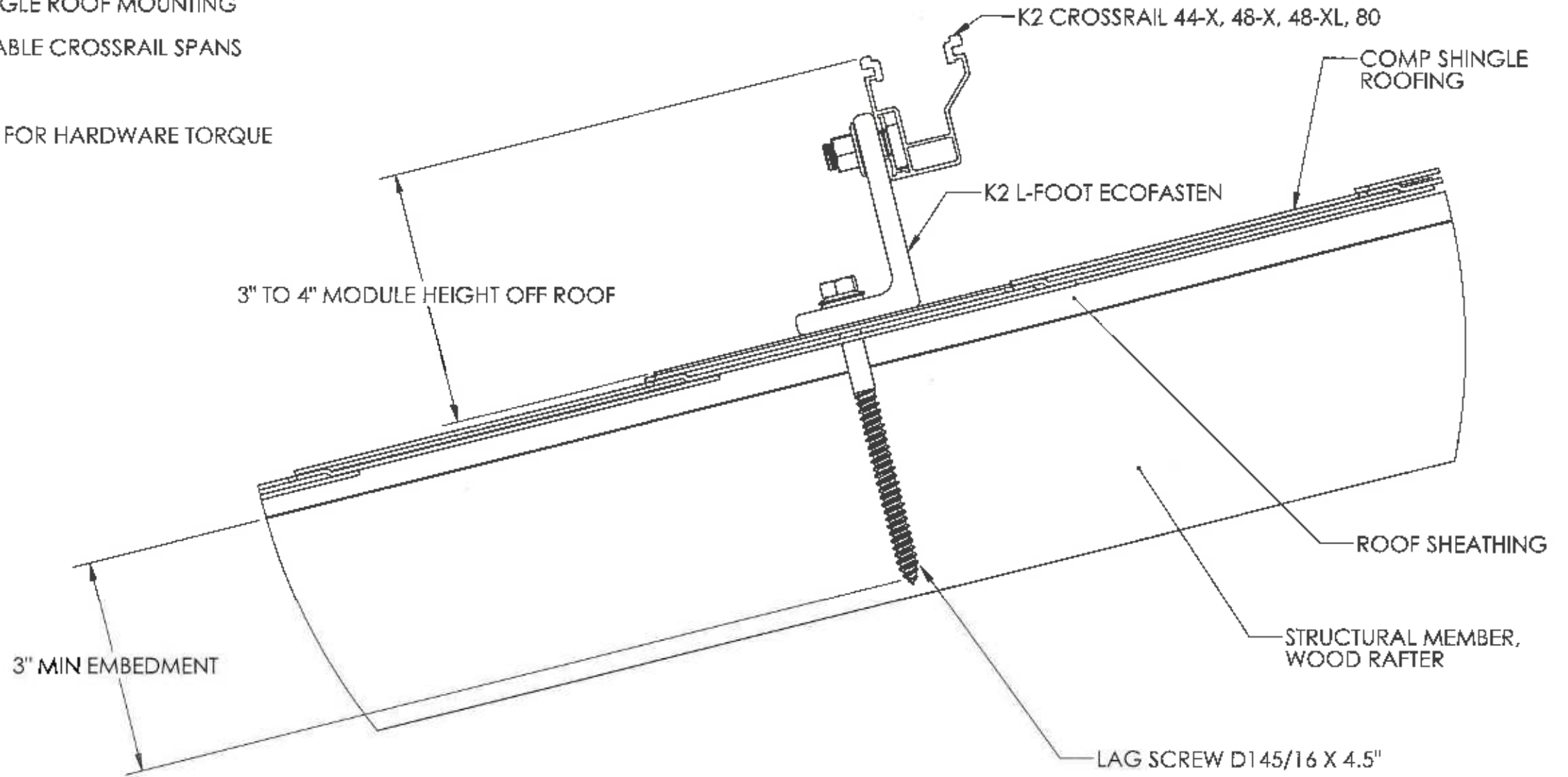
K2 Systems
 4665 North Avenue Suite 1
 Oceanside, CA 92056
 phone 760.301.5300

EVERFLASH ECOMP KIT FOR COMPOSITION SHINGLE ROOF MOUNTING
 REFER TO K2 ENGINEERING CHARTS FOR APPLICABLE CROSSRAIL SPANS
 DRILL 1/4" PILOT HOLE FOR LAG BOLT
 REFER TO K2 CROSSRAIL INSTALLATION MANUAL FOR HARDWARE TORQUE

STRUCTURAL MEMBER SPECIFICATIONS:
 MINIMUM WOOD GRADE = SPF #2
 MINIMUM SPECIFIC GRAVITY = 0.42

ALLOWABLE FASTENER UPLIFT = 906.7 LBS
 ALLOWABLE FASTENER LATERAL = 250 LBS

MINIMUM FASTENER EDGE DISTANCE = 0.5"
 MINIMUM FASTENER END DISTANCE = 2.2"



PE SIGNATURE: _____ PE DATE: 07/11/2022

PRODUCT REVISED
 as complying with the Florida Building Code
 NOA-No. 22-0719.06
 Expiration Date 02/17/2027
 By *R. Estrada*
 Miami-Dade Product Control

K2 Systems
 4665 North Avenue Suite 1
 Oceanside, CA 92056
 phone 760.301.5300

DESCRIPTION:
 EVERFLASH ECOMP KIT ATTACHMENT DETAIL

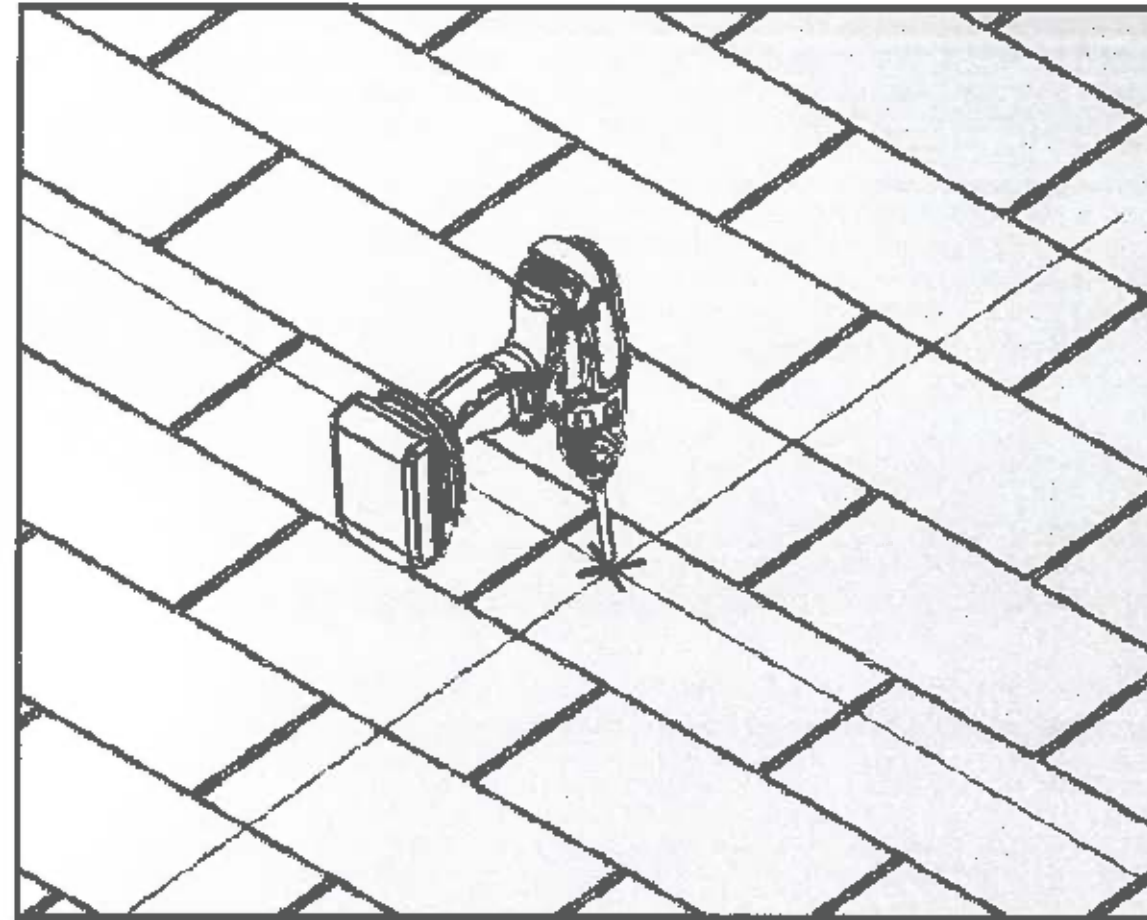
REVISION	DATE	DESCRIPTION	DRAWN BY
A	01/11/2022	INITIAL RELEASE	R. ESTRADA
B	05/01/2022		
C	07/07/2022		

Project: Miami Dade County NOA

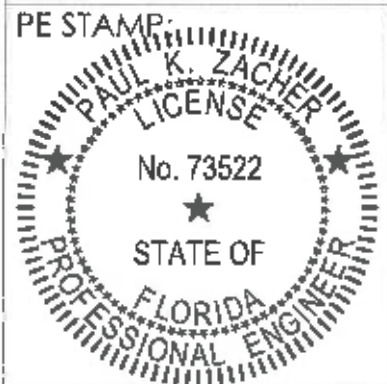
REQUIRED TOOLS:
 CHALK LINE
 ROOFING BAR
 1/4" DRILL BIT
 ROOFING MANUFACTURER APPROVED SEALANT

STEP 1:
 Locate rafters and snap horizontal and vertical lines to mark the installation position for each EVERFLASH ECOMP

STEP 2:
 It is important to remove any obstructing nails in the 2nd course of shingles as they can prevent the flashing from extending up under the 3rd course of shingles. This is required by the roofing manufacturer's instructions and warranties, and the Asphalt Roofing Manufacturer's Association guidelines.
 Use roofing bar to break the seals between the 1st and 2nd, and 2nd and 3rd shingle courses. Be sure to remove all nails to allow correct placement of flashing.



STEP 3:
 Drill pilot hole and fill with roofing manufacturer approved sealant.



PE SIGNATURE: _____ PE DATE: 07/11/2022

PRODUCT REVISED
 as complying with the Florida Building Code
 NOA-No. 22-0719.06
 Expiration Date 02/17/2027
 By *R. Estrada*
 Miami-Dade Product Control

K2 SYSTEMS
 K2 Systems
 4665 North Avenue Suite 1
 Oceanside, CA 92056
 phone 760.301.5300

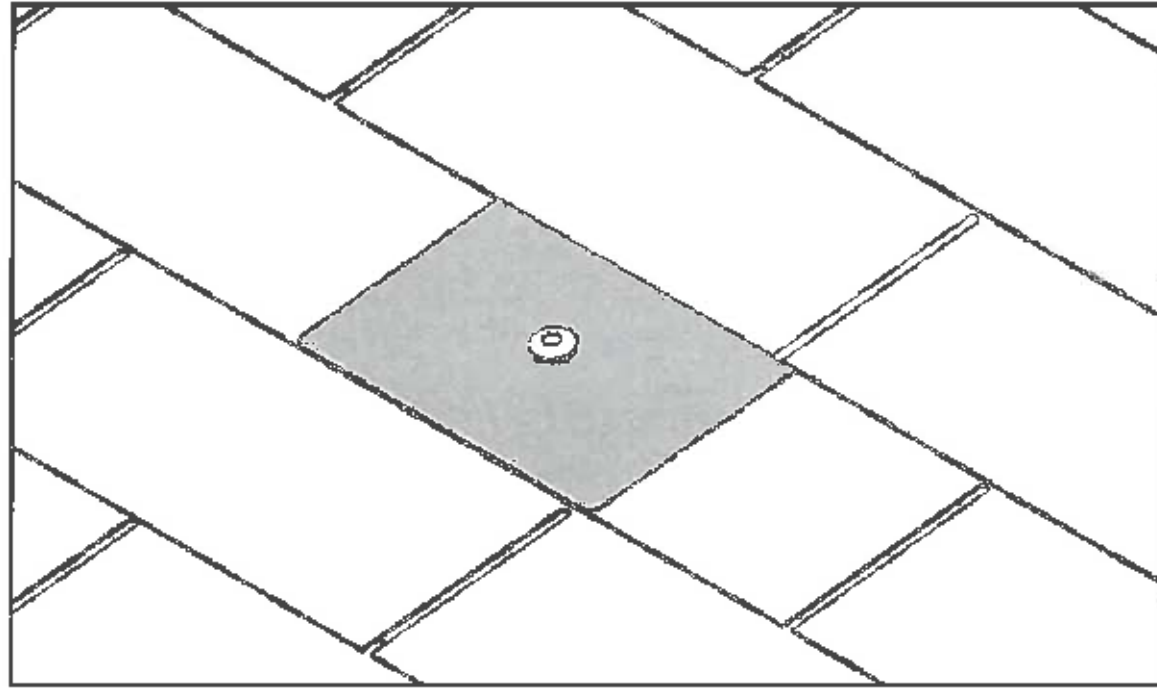
DESCRIPTION:
 EVERFLASH ECOMP KIT INSTALLATION

REVISION	DATE	DESCRIPTION
A	01/11/2022	INITIAL RELEASE
B	05/10/2022	
C	07/07/2022	

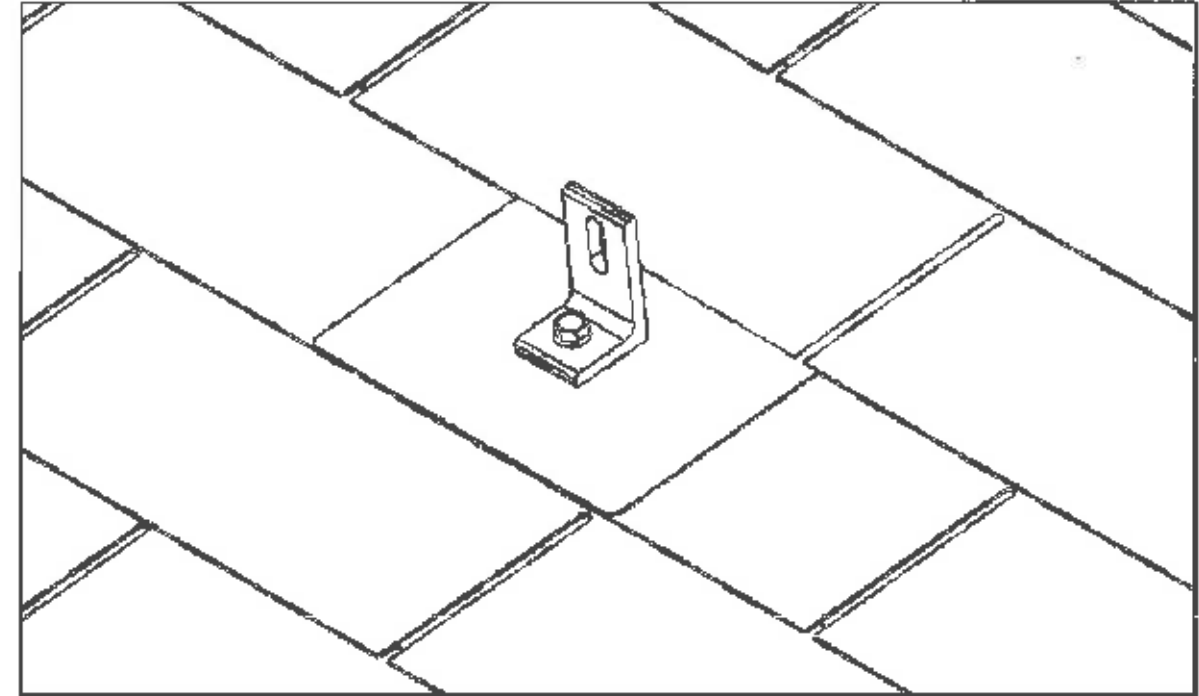
DRAWN BY: R. ESTRADA
 Project: Miami Dade County NOA

REQUIRED TOOLS:

13MM DEEP SOCKET
SOCKET WRENCH



STEP 4:
Slide the eComp flashing under the 2nd course of shingles so that the bottom flashing edge does not overhang the butt edge of the shingles. This requirement ensures that the flashing extends up under the 3rd course of shingles and the minimum head-lap is achieved.

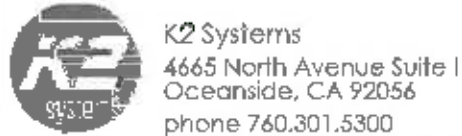


STEP 4:
Line up pilot hole with the flashing hole. Insert the lag screw through EPDM bonded washer, L-Foot, gasketed hole in flashing and into rafter. The torque range is between 8.3 - 11.6 ft-lbs depending on type of wood and time of year.



PE SIGNATURE: _____ PE DATE: 07/11/2022

PRODUCT REVISED
as complying with the Florida
Building Code
NOA-No. 22-0719.06
Expiration Date 02/17/2027
By *[Signature]*
Miami-Dade Product Control



DESCRIPTION:
EVERFLASH ECOMP KIT INSTALLATION

REVISION	DATE	DESCRIPTION	DRAWN BY
A	01/11/2022	INITIAL RELEASE	R. ESTRADA
B	05/10/2022		
C	07/07/2022		

Project:
Miami Dade County NOA