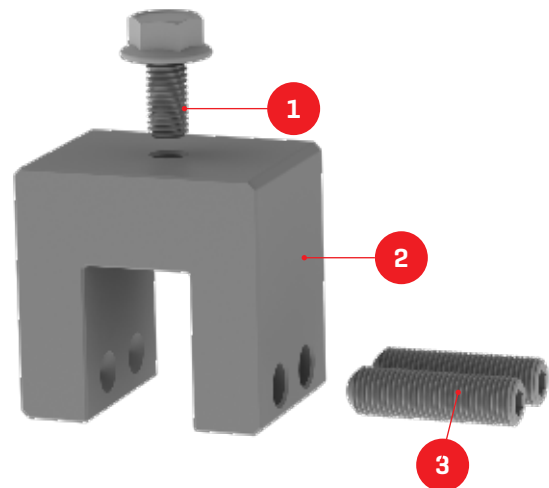


Mini



Standard

# Standing Seam PowerClamp

## TECHNICAL SHEET

Item Number	Description	Part Number
1	T-Bolt M8x20 mm Serrated Hex Head	4000016   Standing Seam PowerClamp Mini, Set 4000017   Standing Seam PowerClamp Standard, Set
2	PowerClamp	
3	Set Screw	

### Technical Data

Standing Seam PowerClamp	
Roof Type	Standing seam
Material	6061-T6 Aluminum
Finish	Mill
Roof Connection	Clamp
Torque	22 GA: 130-140 in/lbs 24 GA: 150-160 in/lbs 26 GA: 170-180 in/lbs 29 GA: 190-200 in/lbs
Compatibility	CrossRail 44-X, 48-X, 48-XL, 80