

We support PV systems

Formerly Everest Solar Systems

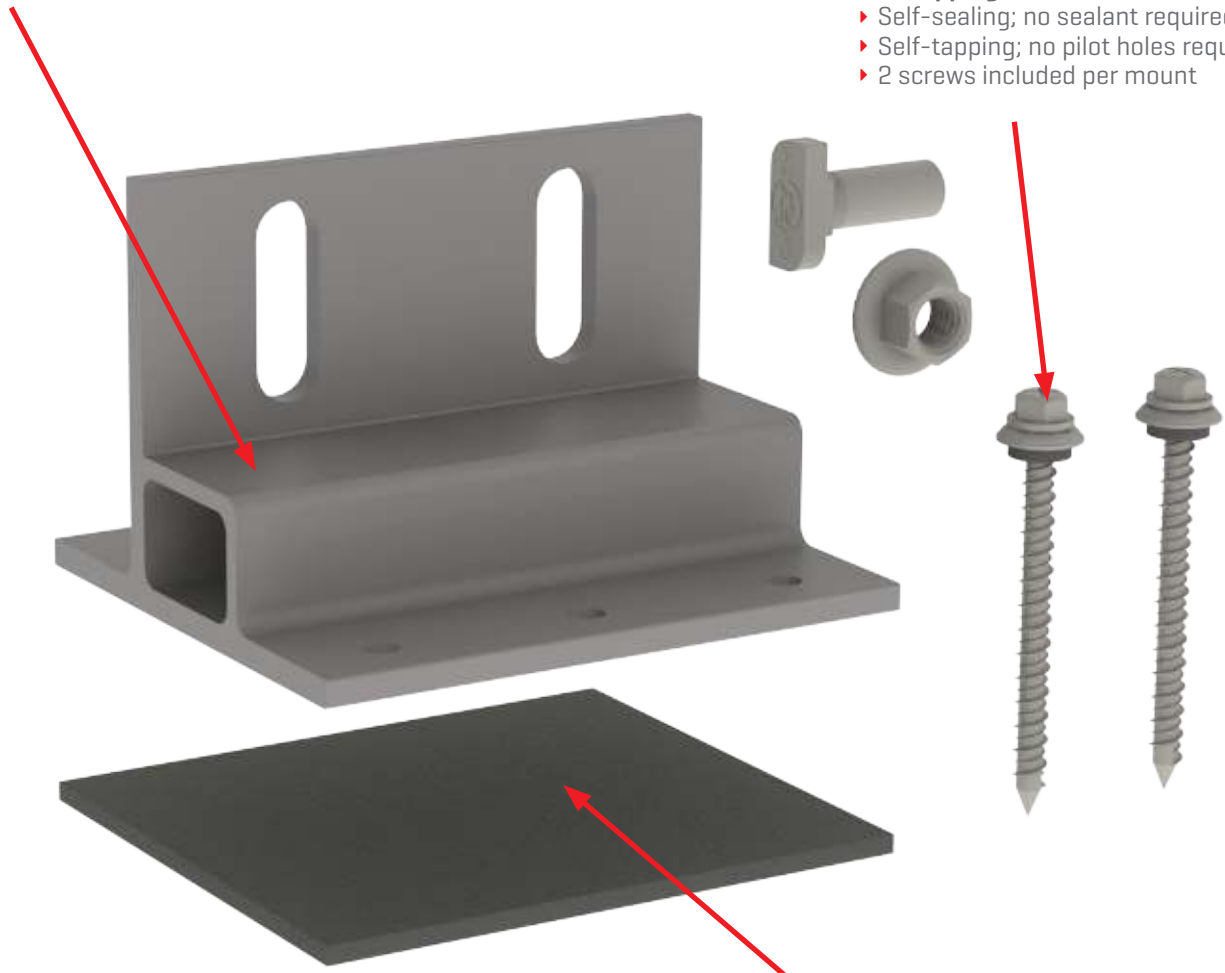


Rail Shelf

- ▶ Allows for easier rail support
- ▶ Aligns CrossRail T-Bolt channel

Self-Tapping Screws

- ▶ Self-sealing; no sealant required
- ▶ Self-tapping; no pilot holes required
- ▶ 2 screws included per mount



K2 EverSeal

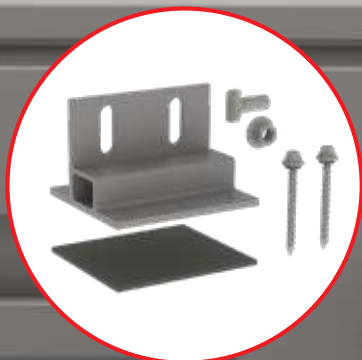
- ▶ Pre-installed butyl flexible flashing
- ▶ 20+ years of proven water sealing technology
- ▶ TAS 100(A) and Wind Driven Rain tested and approved



Splice Foot X & XL

Patent Pending

PRODUCT SHEET



Splice Foot X & XL

Patent Pending

PRODUCT SHEET

Part Number	Description
4000113	Splice Foot X Kit, Mill
4000162	Splice Foot XL Kit, Mill

- ▶ All-in-one mount and splice foot
- ▶ K2 EverSeal technology
- ▶ 20+ years of proven water sealing technology on asphalt
- ▶ Self drilling lag screws = less tools needed
- ▶ Optimized for CrossRail systems and components
- ▶ No L-Foot needed
- ▶ T-Bolt hardware included