

EverFlash Tile Replacement Flashings

Patent Pending

TECHNICAL SHEET

- | | |
|--|---|
| 1 Securement Tabs
▶ Holds flashing in place | 2 Built-In Water Diversion
▶ Flashing diverts water from hook |
| 3 Pre-Cut Hook Tabs
▶ Fold back for hook install | 4 Slide-In Technology
▶ Fewer tools required |

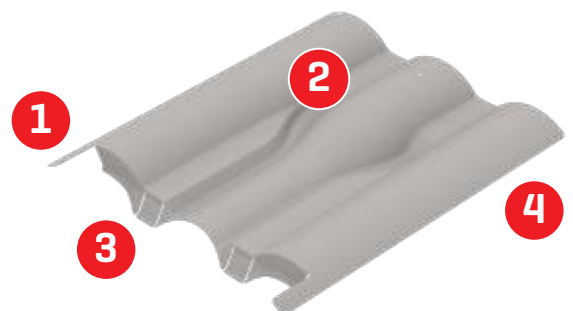
Flat Tile



S-Tile



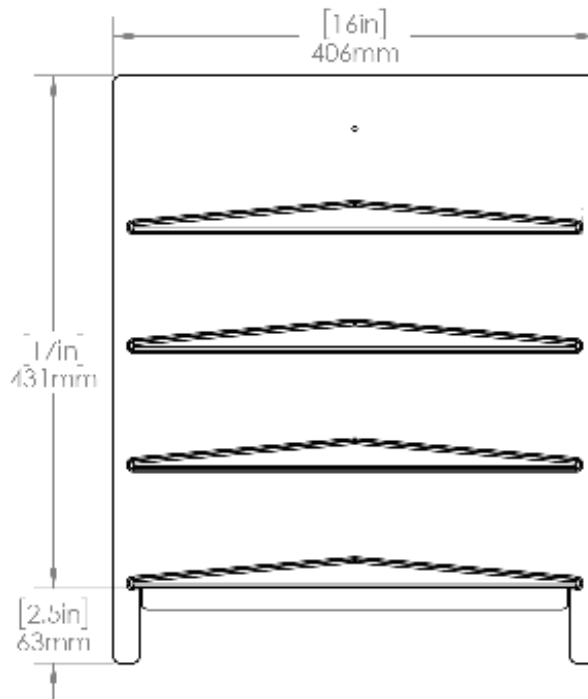
W-Tile



EverFlash Flat TRF



Units: [in] mm



4000130 | EverFlash Flat Tile - R, Mill

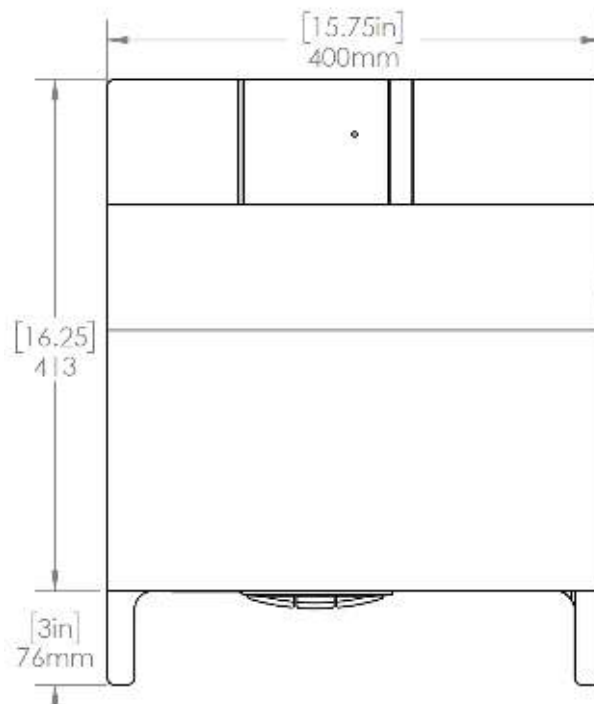
Technical Data

	EverFlash Flat Tile - R, Mill
Roof Type	Flat Tile
Material	1000 series aluminum
Finish	Mill
Roof Connection	Optional roof nails
Compatibility	All K2 and 3rd party tile hooks

EverFlash S TRF



Units: [in] mm

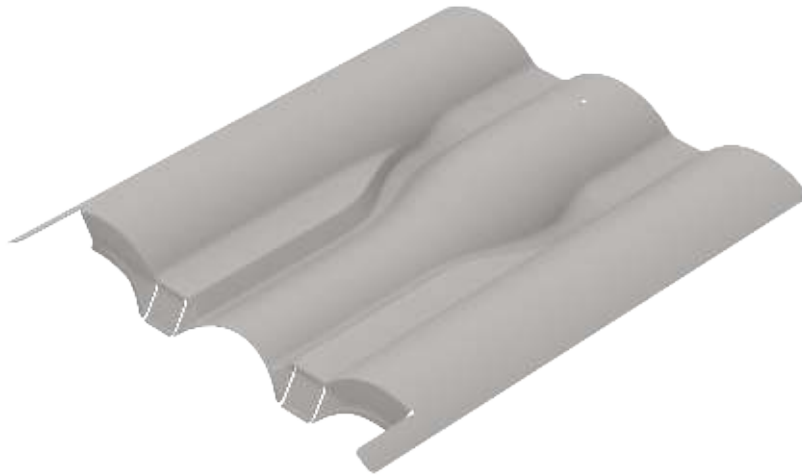


4000131 | EverFlash S-Tile - R, Mill

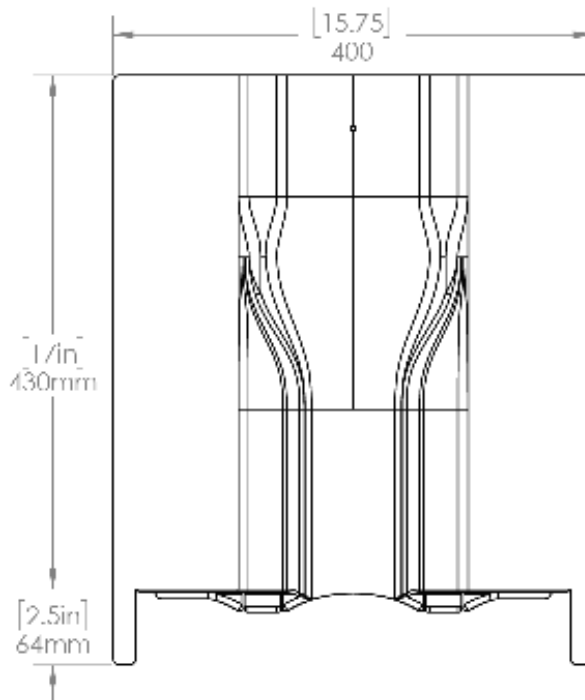
Technical Data

	EverFlash S-Tile - R, Mill
Roof Type	S-Tile
Material	1000 series aluminum
Finish	Mill
Roof Connection	Optional roof nails
Compatibility	All K2 and 3rd party tile hooks

EverFlash W TRF



Units: [in] mm



4000132 | EverFlash W-Tile - R, Mill

Technical Data

	EverFlash W-Tile - R, Mill
Roof Type	W-Tile
Material	1000 series aluminum
Finish	Mill
Roof Connection	Optional roof nails
Compatibility	All K2 and 3rd party tile hooks