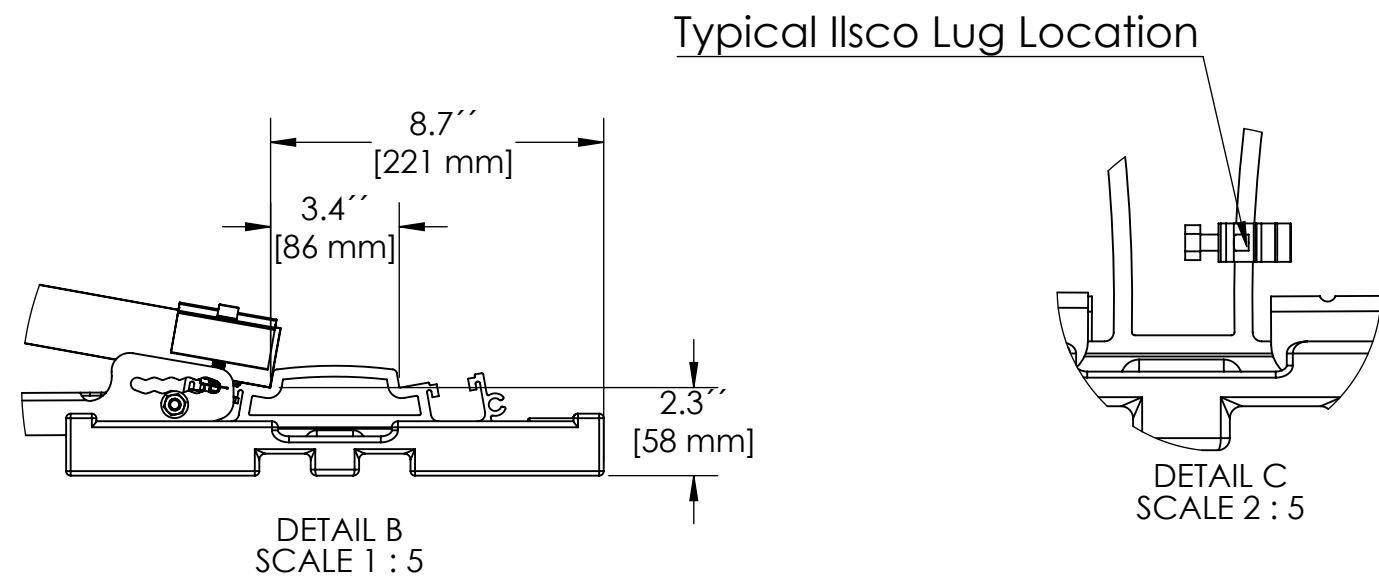
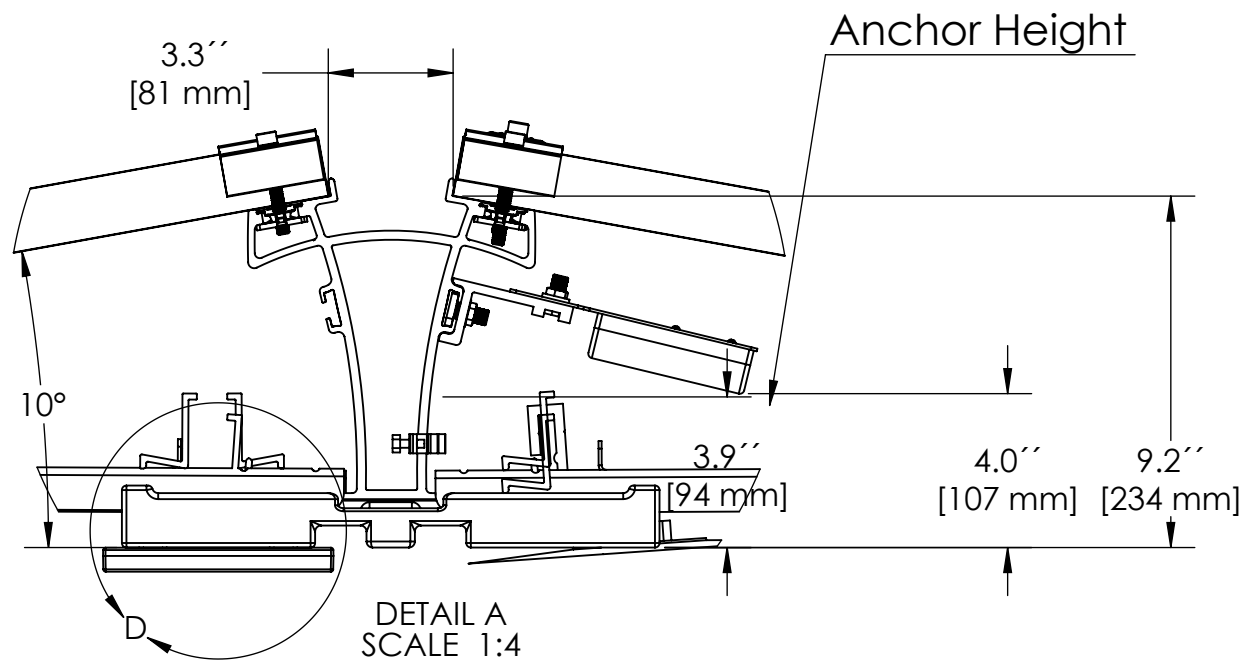
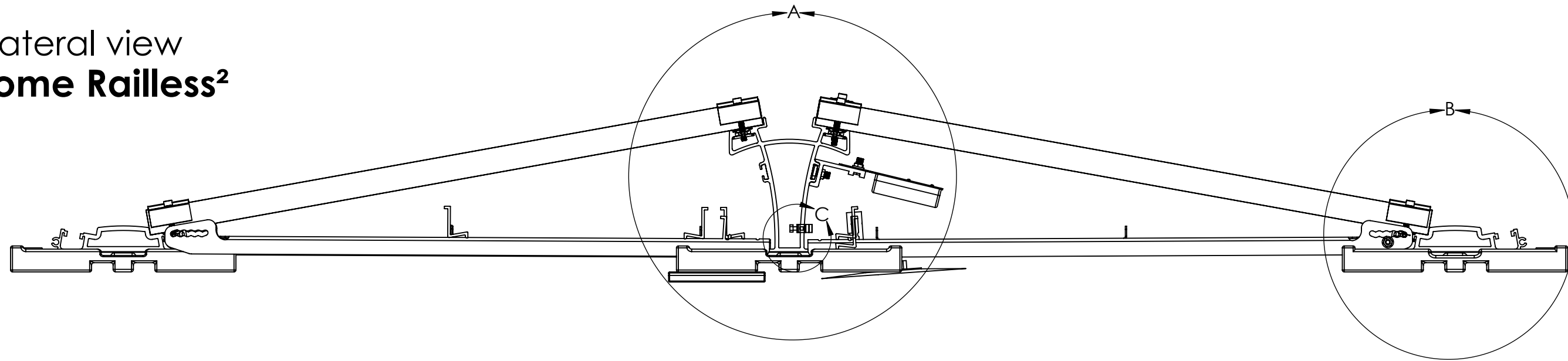
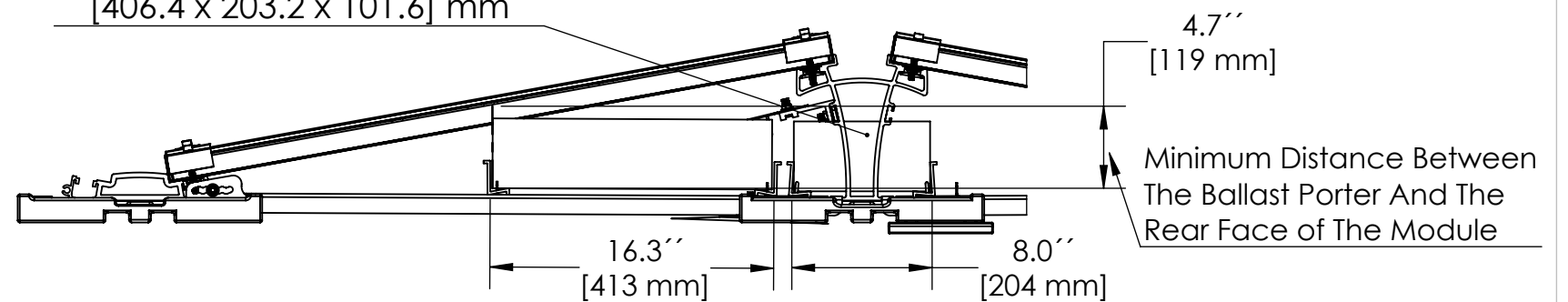
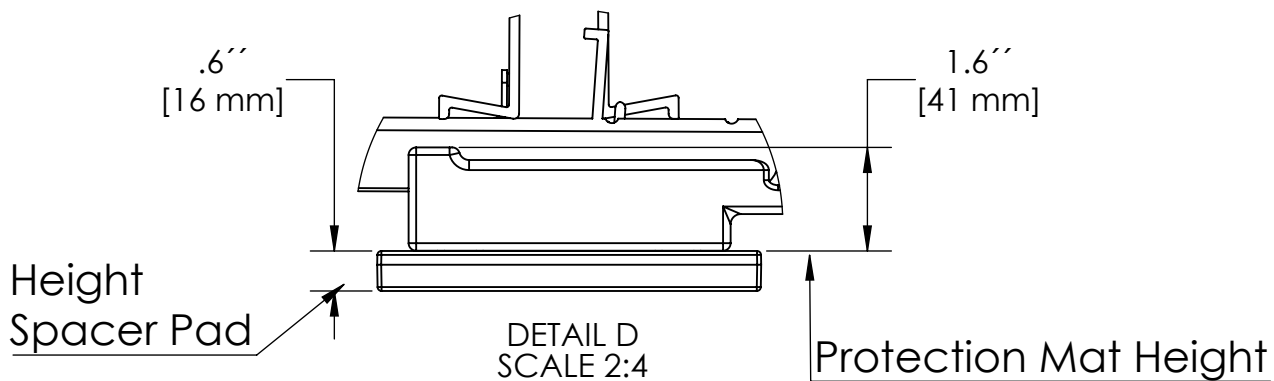


Lateral view D Dome Railless²



Max Ballast Block Dimensions
16" x 8" x 4"
[406.4 x 203.2 x 101.6] mm



EVEREST
solar systems
Everest Solar Systems, LLC
a division of K2 Systems International
2835 La Mirada Drive, Suite A
Vista CA 92081, USA.
Tel.: +1 760.301.5300

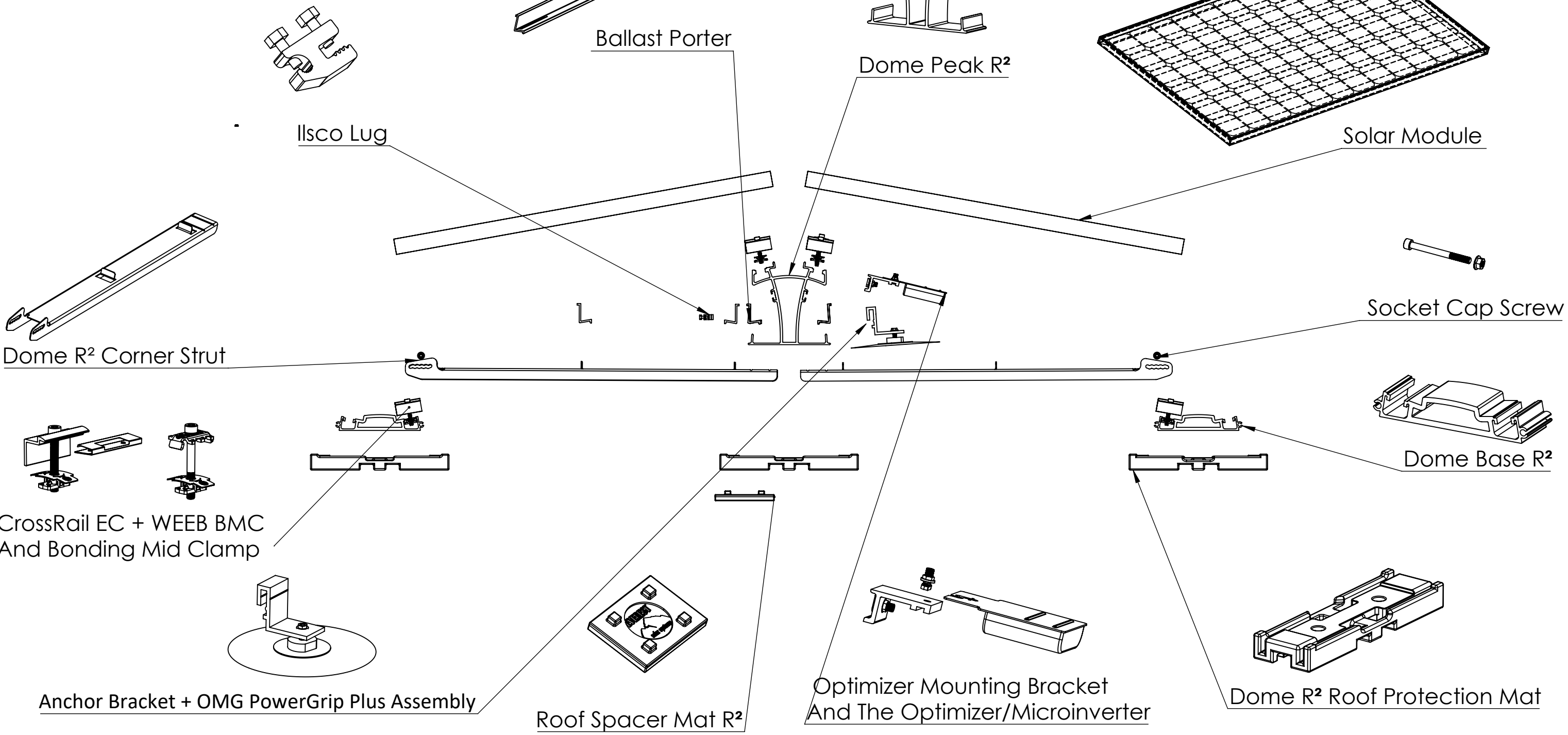
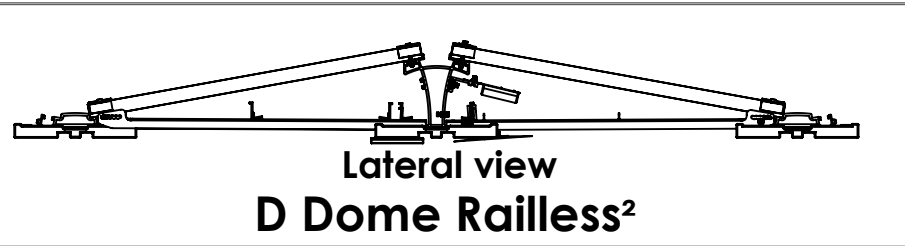
Title:
D Dome Railless²



Product description:
 Rails: Railless
 Roof Types: Flat
 Module orientation: Landscape
 Attachments types: Varies
 Max. allowed tilt: 10° fixed
 Maxi. roof tilt: 0° - 5°
 Dimensions are in inches
 Material: 6000 Series Aluminium

Notes:

This drawing is the sole property of Everest Solar Systems. It is protected by copyright and may only be copied, reproduced or distributed to a third party with explicit permission!



EVEREST
solar systems
Everest Solar Systems, LLC
a division of K2 Systems International
2835 La Mirada Drive, Suite A
Vista CA 92081, USA.
Tel.: +1 760.301.5300

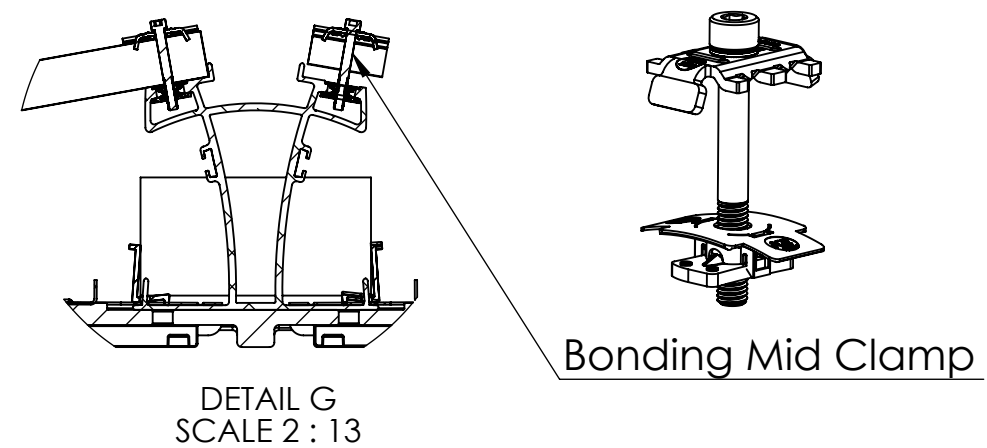
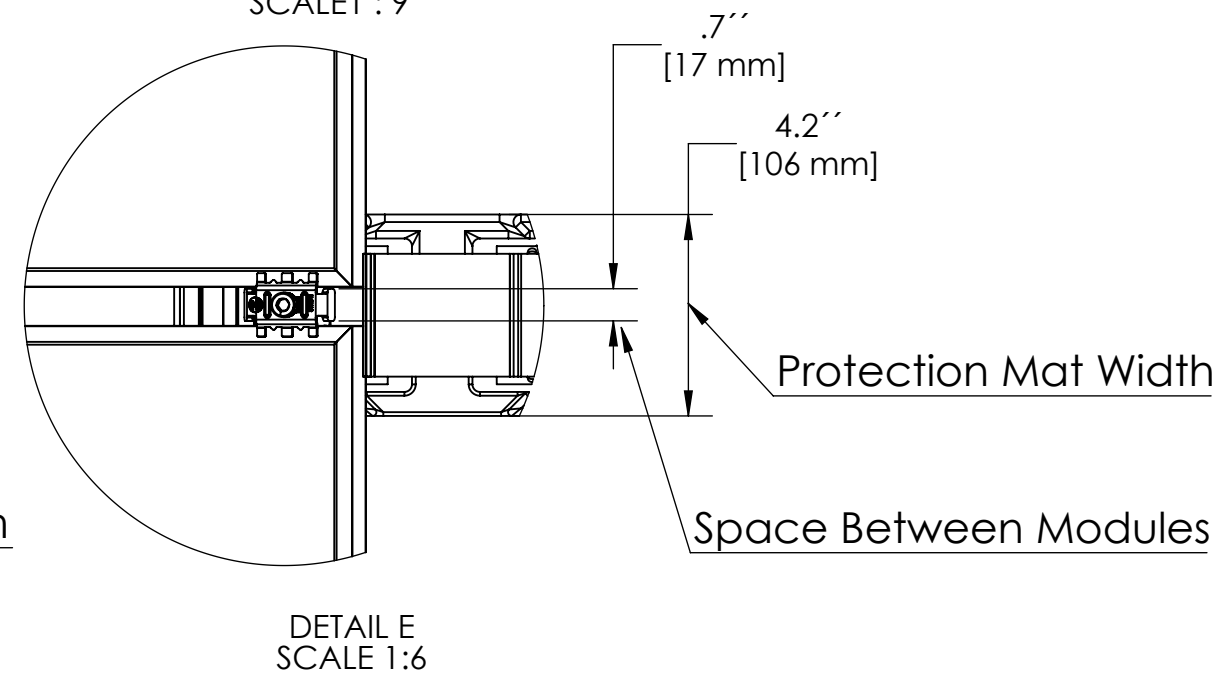
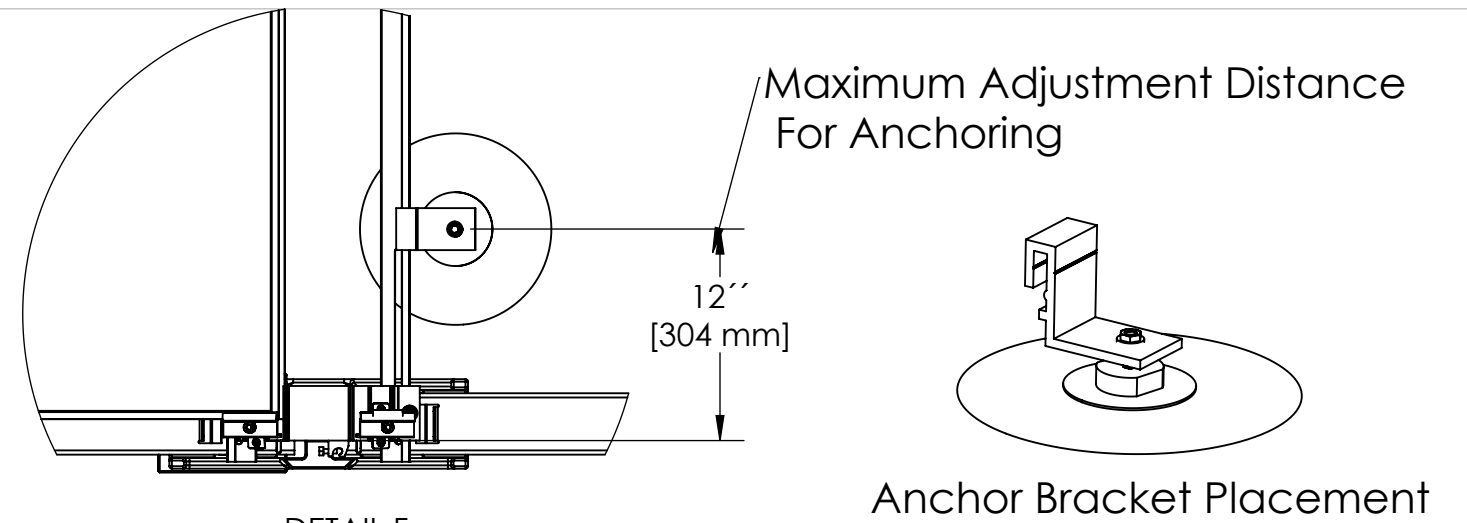
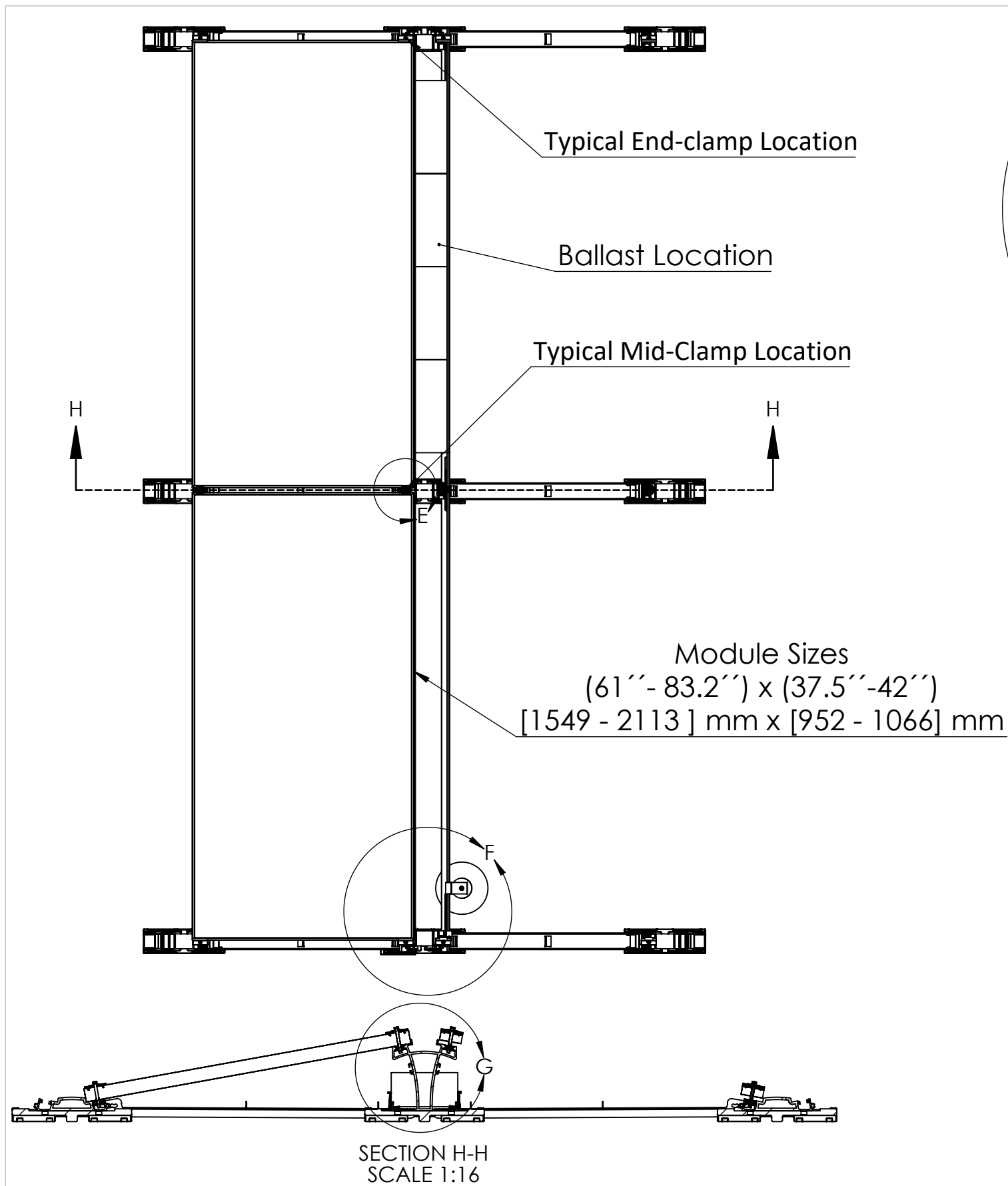
Title:
D Dome Railless²



Product description:	
Rails: Railless	Max. allowed tilt: 10° fixed
Roof Types: Flat	Maxi. roof tilt: 0° - 5°
Module orientation: Landscape	Dimensions are in inches
Attachments types: Varies	Material: 6000 Series Aluminium

Notes:

This drawing is the sole property of Everest Solar Systems. It is protected by copyright and may only be copied, reproduced or distributed to a third party with explicit permission!



EVEREST
solar systems

Everest Solar Systems, LLC
a division of K2 Systems International
2835 La Mirada Drive, Suite A
Vista CA 92081, USA.
Tel.: +1 760.301.5300

Title:

D Dome Railless²

UL LISTED

Product description:

Rails: Railless	Max. allowed tilt: 10° Fixed
Roof Types: Flat	Maxi. roof tilt: 0°- 5°
Module orientation: Landscape	Dimensions are in inches
Attachments types: Varies	Material: 6000 Series Aluminium

Notes:

This drawing is the sole property of Everest Solar Systems. It is protected by copyright and may only be copied, reproduced or distributed to a third party with explicit permission!