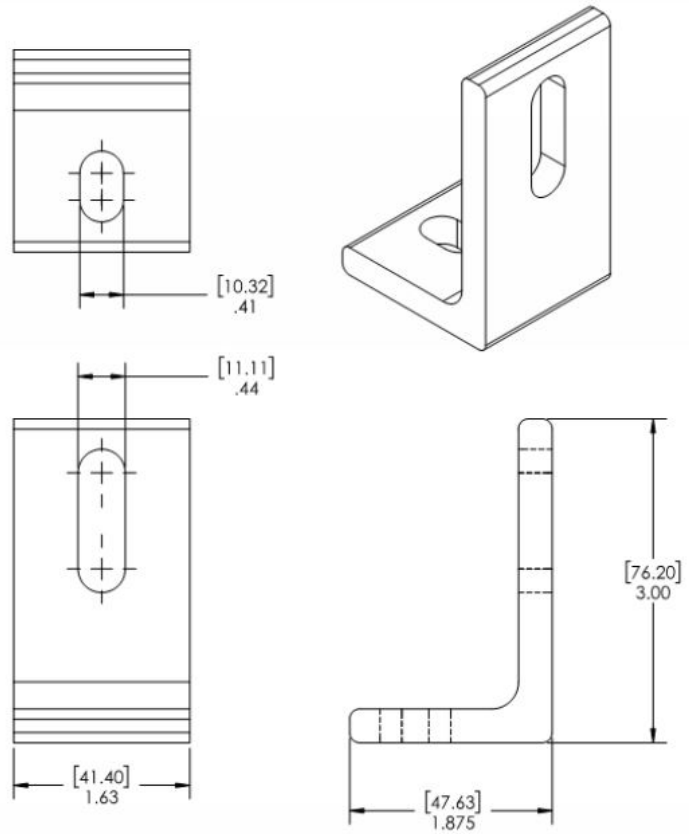



K2 L-Foot



DATA SHEET



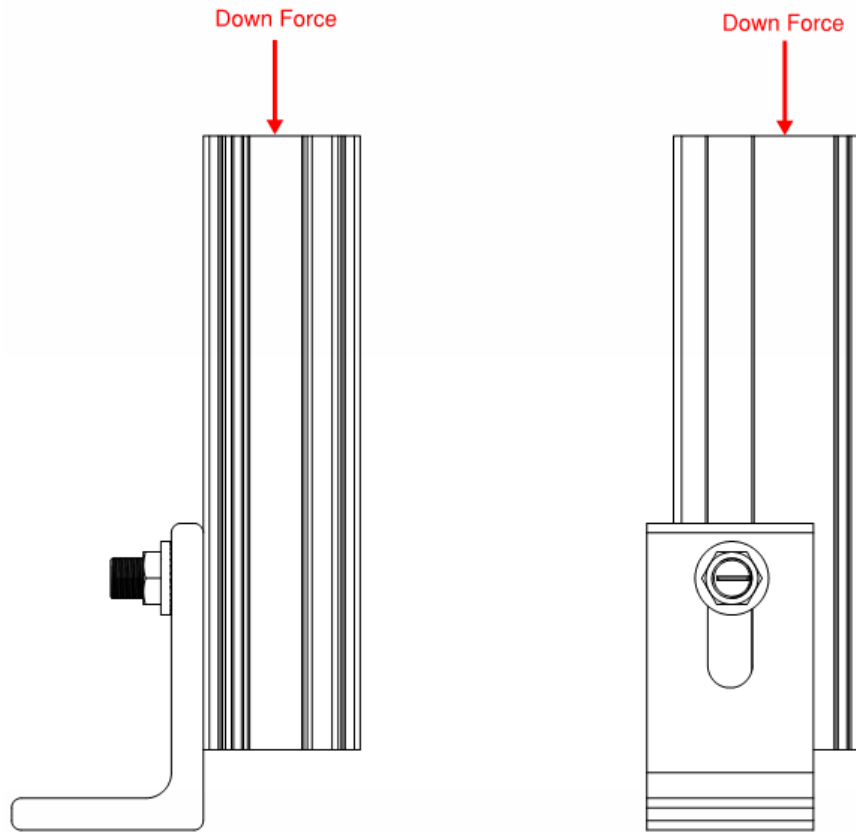
Units: [mm] in

Description	Part Number
L-Foot Slotted Set, Mill	4000630
L-Foot Slotted Set, Dark	4000631
L-Foot Slotted Set, Mill, DC 	4000630-US

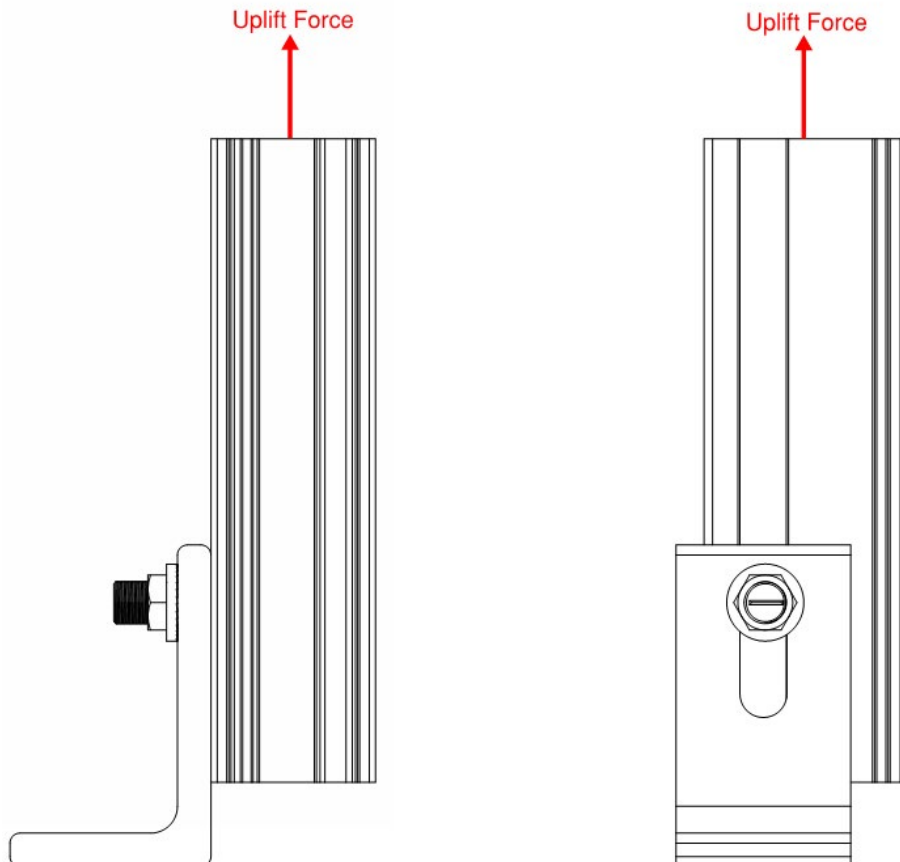
TECHNICAL DATA

K2 L-Foot	
Material	6000 series aluminum
Yield Strength	31.2 ksi
Compatibility	CrossRail 44-X Max, 44-X, 48-X, 48-XL, 80
Weight (Piece)	0.26 lbs
Box Quantity	20
Pallet Quantity	5880
Florida Product Approval	FL#46869

Maximum allowable down force: 705 lbs

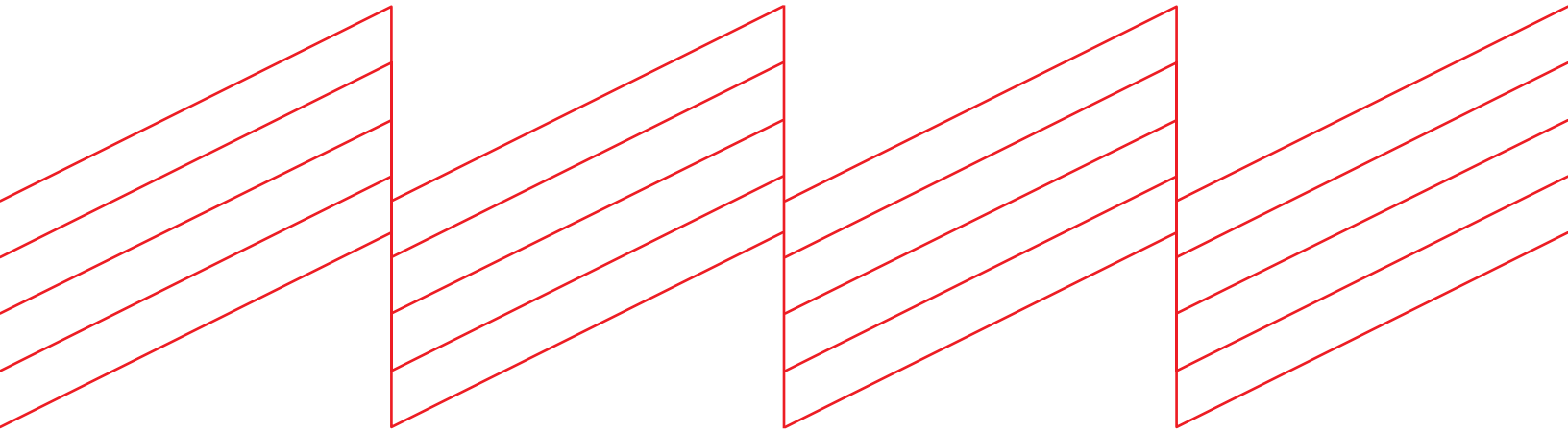


Maximum allowable uplift force: 715 lbs





Connecting Strength



K2 Systems, LLC

4665 North Ave. Suite I • Oceanside, CA 92056 •
USA +1.760.301.5300 • infous@k2-systems.com
www.k2-systems.com/en-us

K2 L-Foot Data Sheet ENV3 | 1024 • Subject to change
Product illustrations are exemplary and may differ from the original.

Everest Solar Systems S de RL de CV

Calle Coral 2628 Int. 1 • Col. Residencial
Victoria, CP 44560 • Guadalajara, Jal. • México
+52.33.3575.9380 • info@k2-systems.mx
www.k2-systems.com/es-mx

K2 L-Foot Data Sheet ENV3 | 1024 • Sujeta a cambios
Las ilustraciones del producto son ejemplares y pueden diferir del original.