



Connecting Strength

K2 Armor w/Big Foot, Kit

QUICK GUIDE



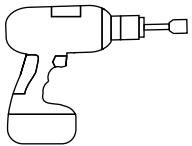
Components

1 4000559

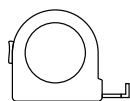


K2 Armor w/Big Foot, Kit

Tools Overview



13mm deep socket

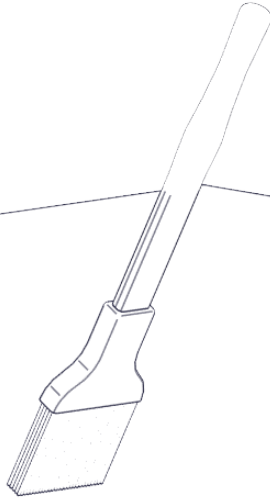


Assembly



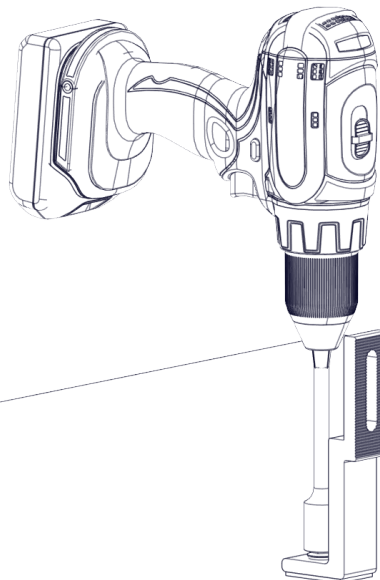
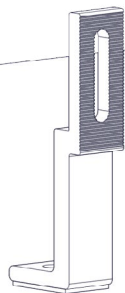
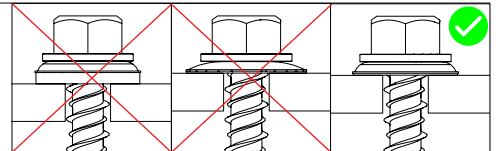
1a

For best butyl adhesion, clean the roof surface where the Big Foot and K2 Armor 2in w/EverSeal will be installed. Use the roof system manufacturer's recommended cleaner if applicable.



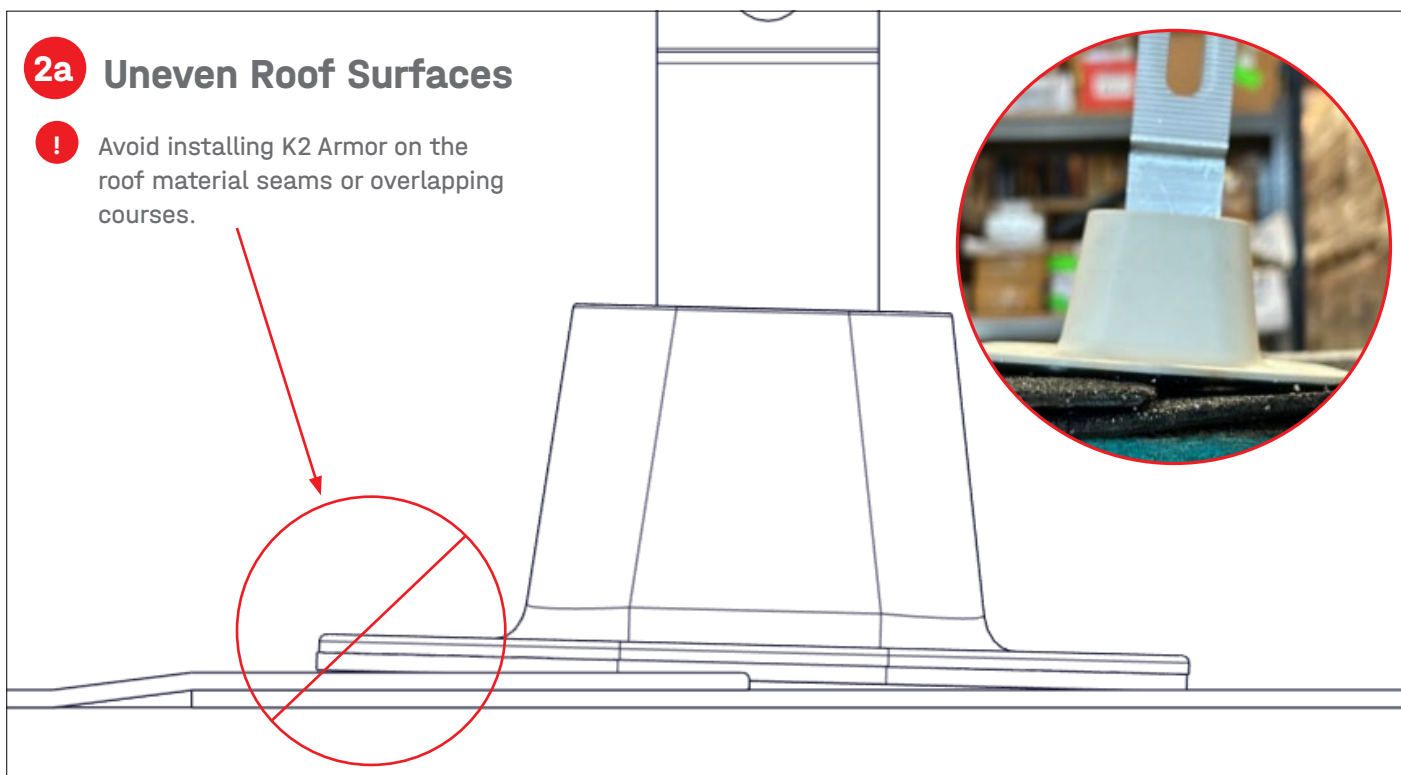
1b

Choose the appropriate fasteners for your structural attachment. Drill your pilot hole, peel off protective paper from K2 EverSeal and secure the Big Foot to the roof at desired location. Do not over torque screws.



2a Uneven Roof Surfaces

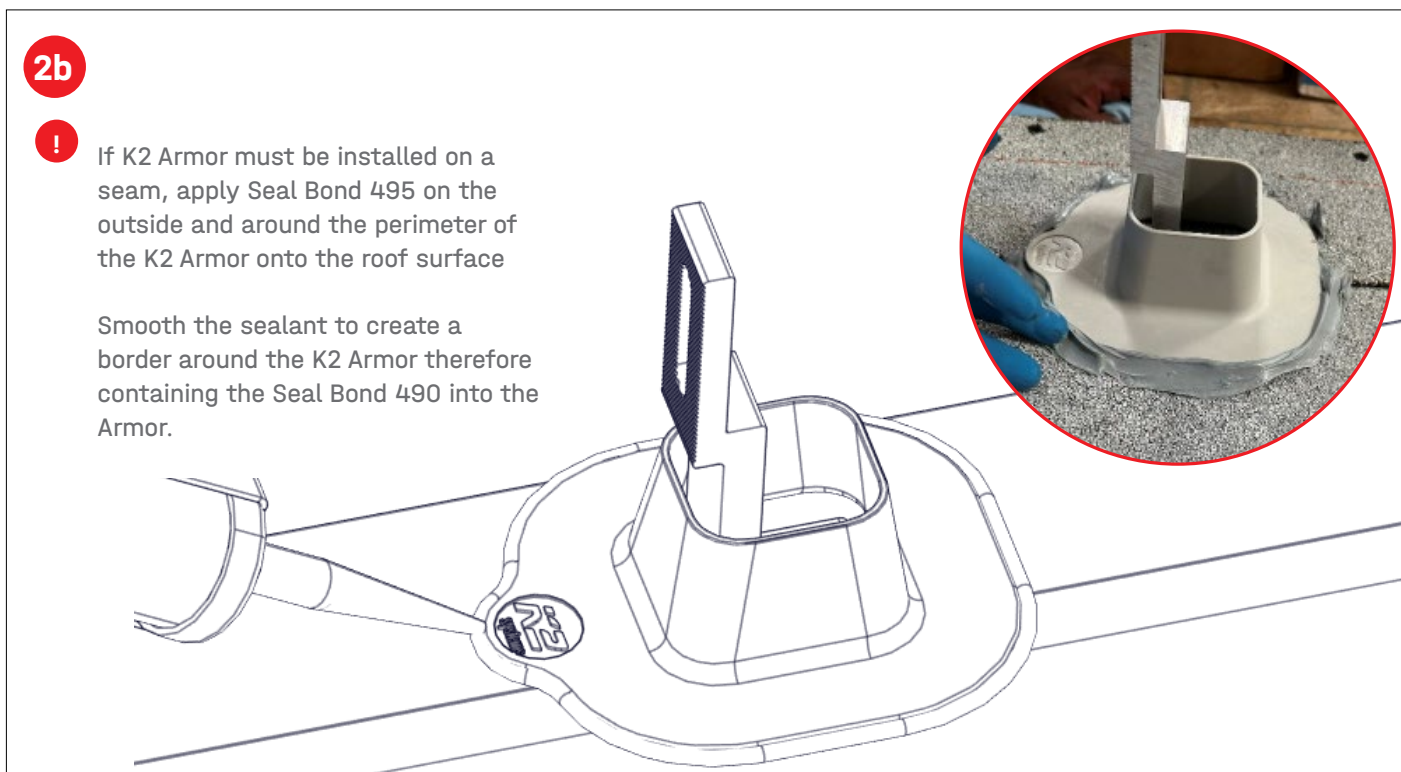
- ! Avoid installing K2 Armor on the roof material seams or overlapping courses.



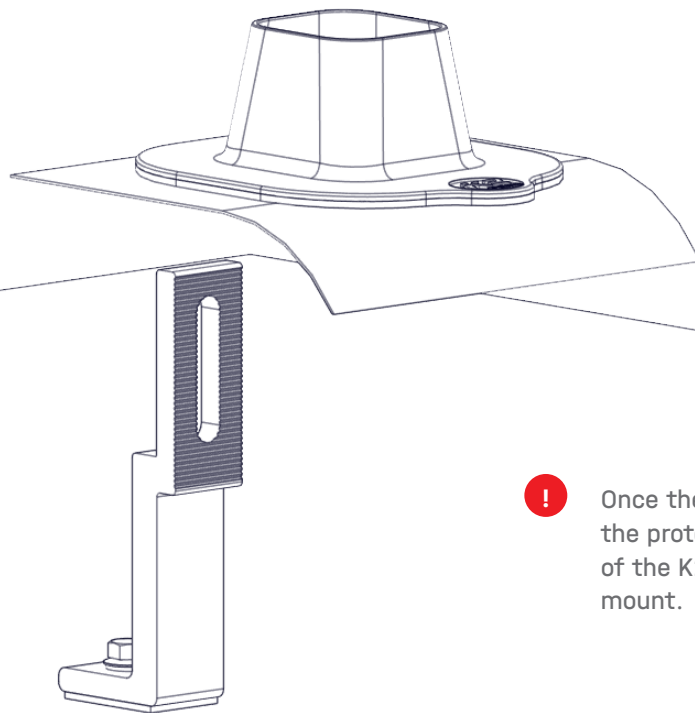
2b

- ! If K2 Armor must be installed on a seam, apply Seal Bond 495 on the outside and around the perimeter of the K2 Armor onto the roof surface

Smooth the sealant to create a border around the K2 Armor therefore containing the Seal Bond 490 into the Armor.



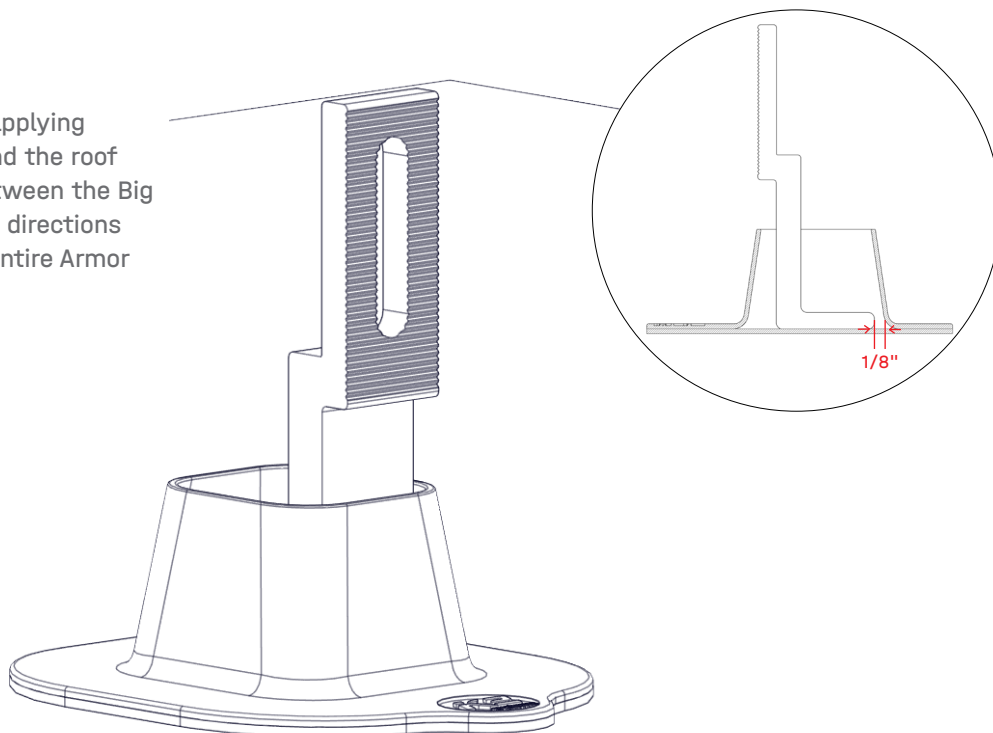
3



! Once the mount is installed, peel off the protective paper from the bottom of the K2 Armor and place it over the mount.

4

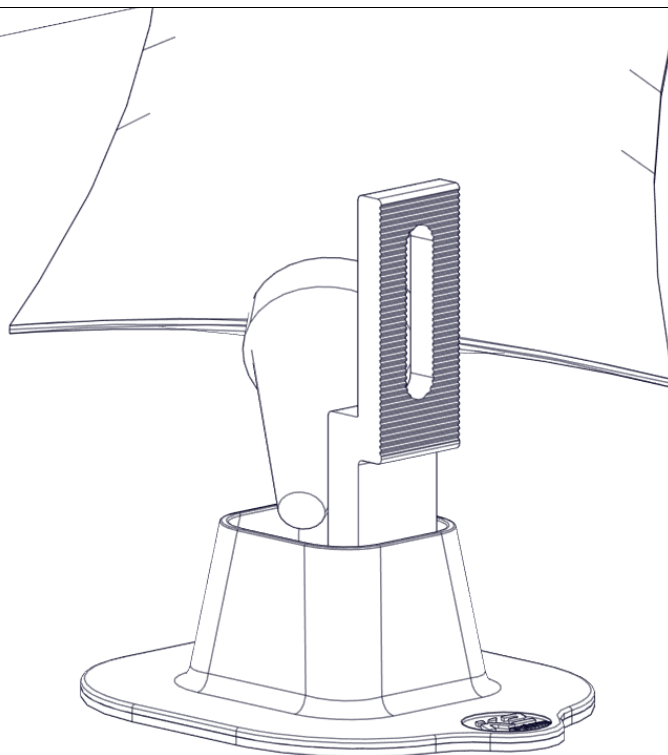
! Install the K2 Armor by applying pressure to the Armor and the roof surface. Leave a gap between the Big Foot and the Armor in all directions so the sealant fills the entire Armor cavity.



5

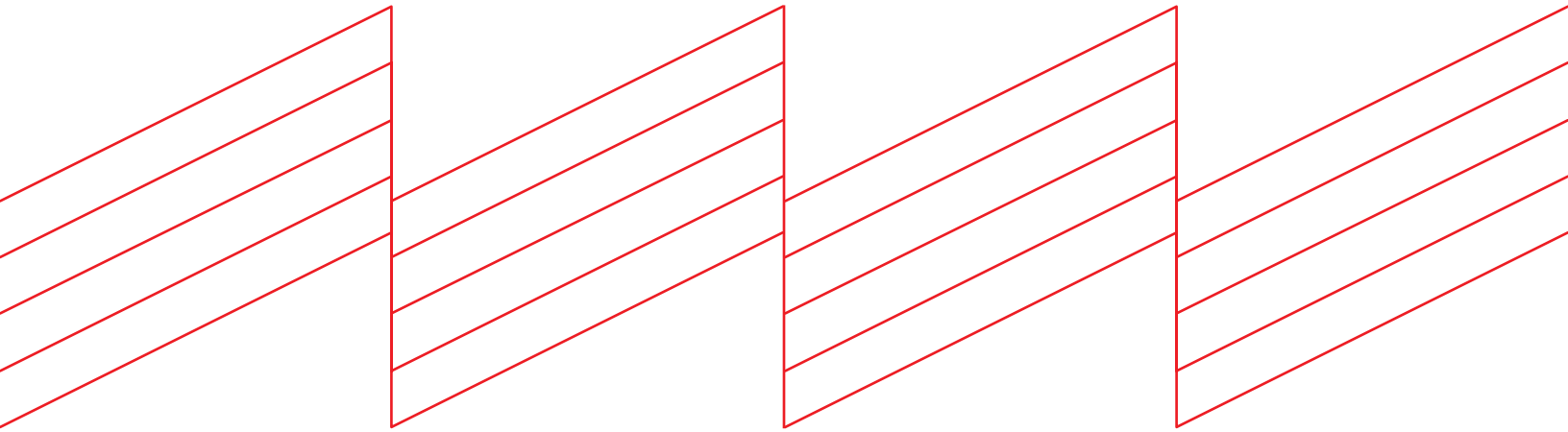


Once the K2 Armor has been installed, completely fill the K2 Armor with Sealbond 490.





Connecting Strength



K2 Systems, LLC

4665 North Ave. Suite I • Oceanside, CA 92056 •
USA +1.760.301.5300 • infous@k2-systems.com
www.k2-systems.com/en-us

Everest Solar Systems S de RL de CV

Calle Coral 2628 Int. 1 • Col. Residencial
Victoria, CP 44560 • Guadalajara, Jal. • México
+52.33.3575.9380 • info@k2-systems.mx
www.k2-systems.com/es-mx