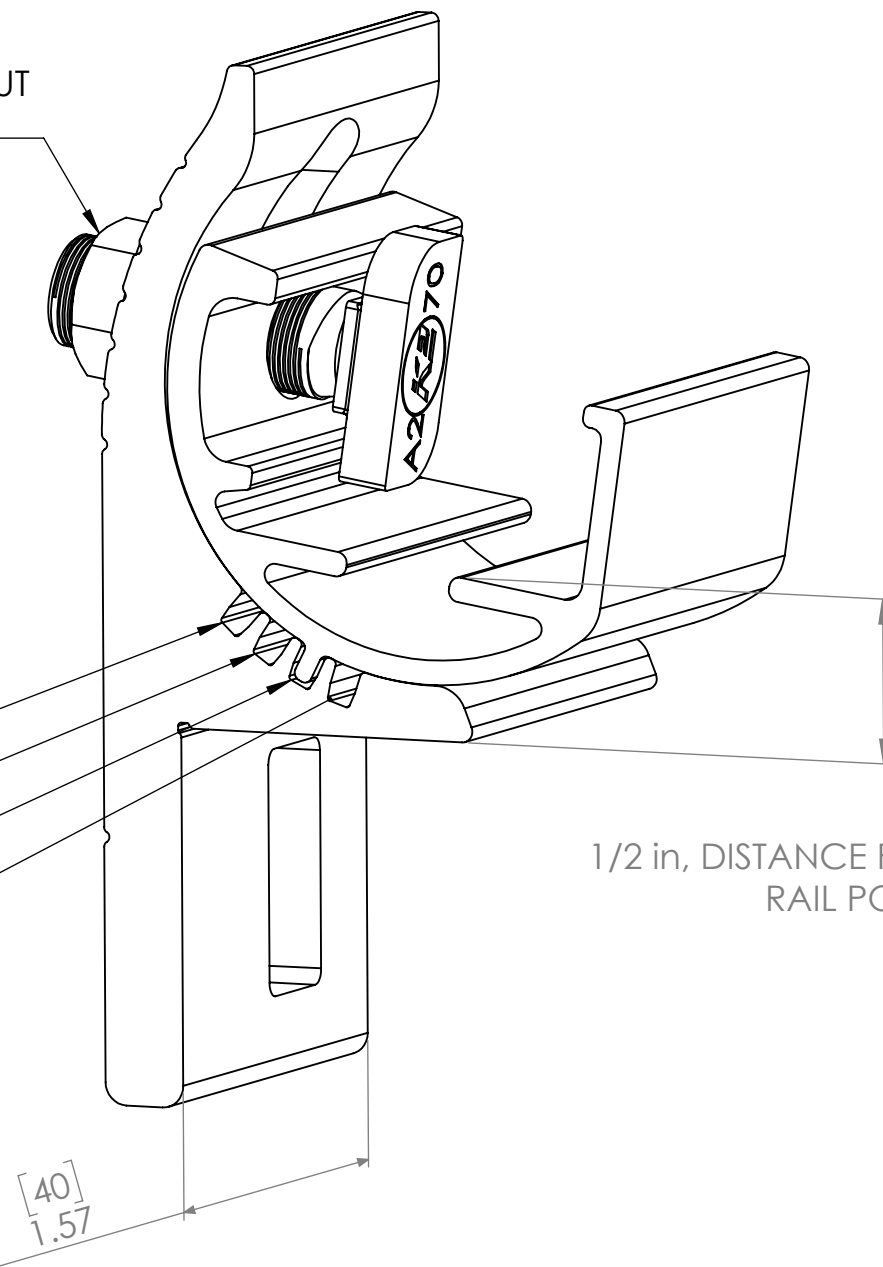


HARDWARE INCLUDED

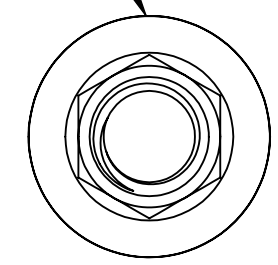
T-BOLT M10X30 AND
M10 SERRATED FLANGE NUT
INCLUDED

25° CONFIGURATION
15° CONFIGURATION
10° CONFIGURATION
0° CONFIGURATION

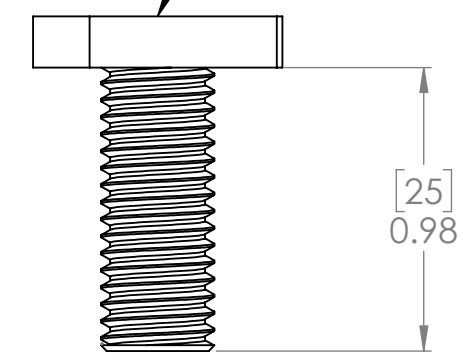
1/2 in, DISTANCE FROM MOUNT TO
RAIL POSITION



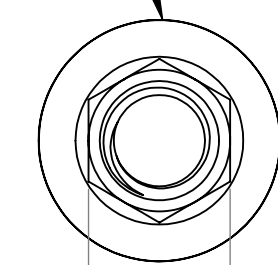
M10 SERRATED
FLANGE NUT



T-BOLT M10x25

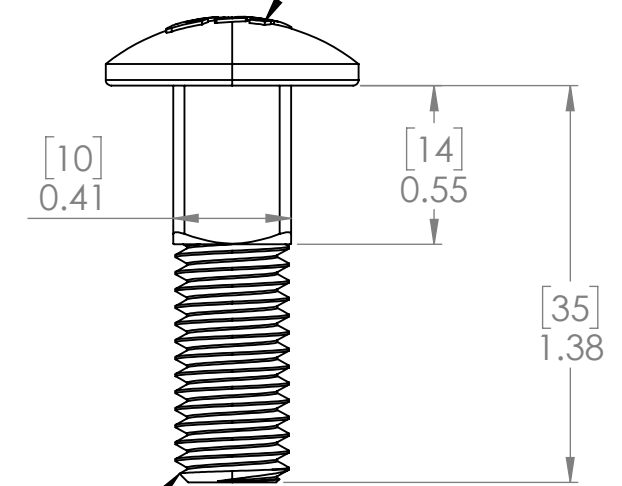


M10 SERRATED
FLANGE NUT



[13]
0.49
1/2 in HEX HEAD

K2 CARRIAGE BOLT



M10 THREAD

COMPATIBLE RAILS:

- 44-X
- 44-X MAX
- 48-X
- 48-XL

UNITS: [MM] IN



K2 Systems
4665 NORTH AVE SUIT I
Oceanside, CA 92056
phone 760.301.5300

Description:
4000416 - SIMPLE TILT KNEE, KIT

REVISION	DATE	DESCRIPTION	DRAWN BY
A	10/24/24		J.SANCHEZ

Project: