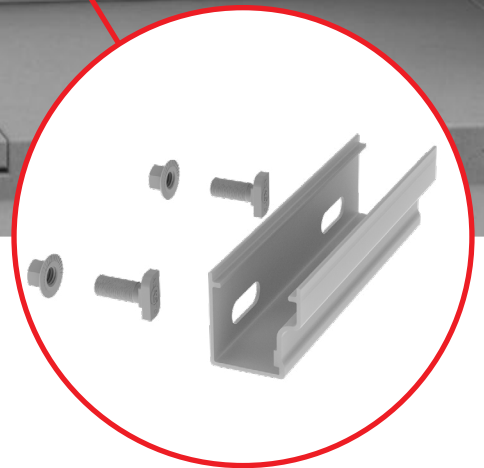
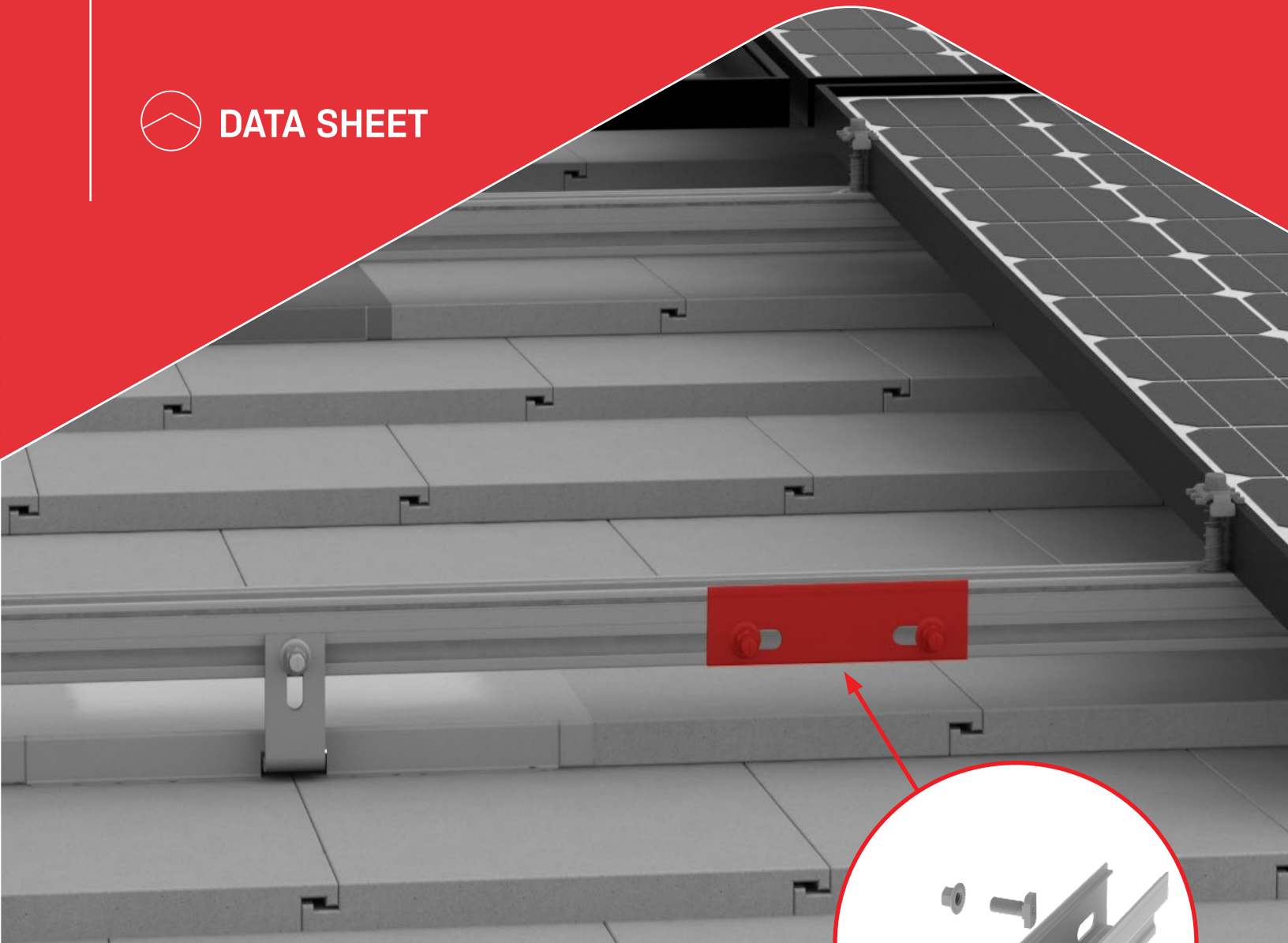


Rail Connector



 DATA SHEET



PRODUCT FEATURES

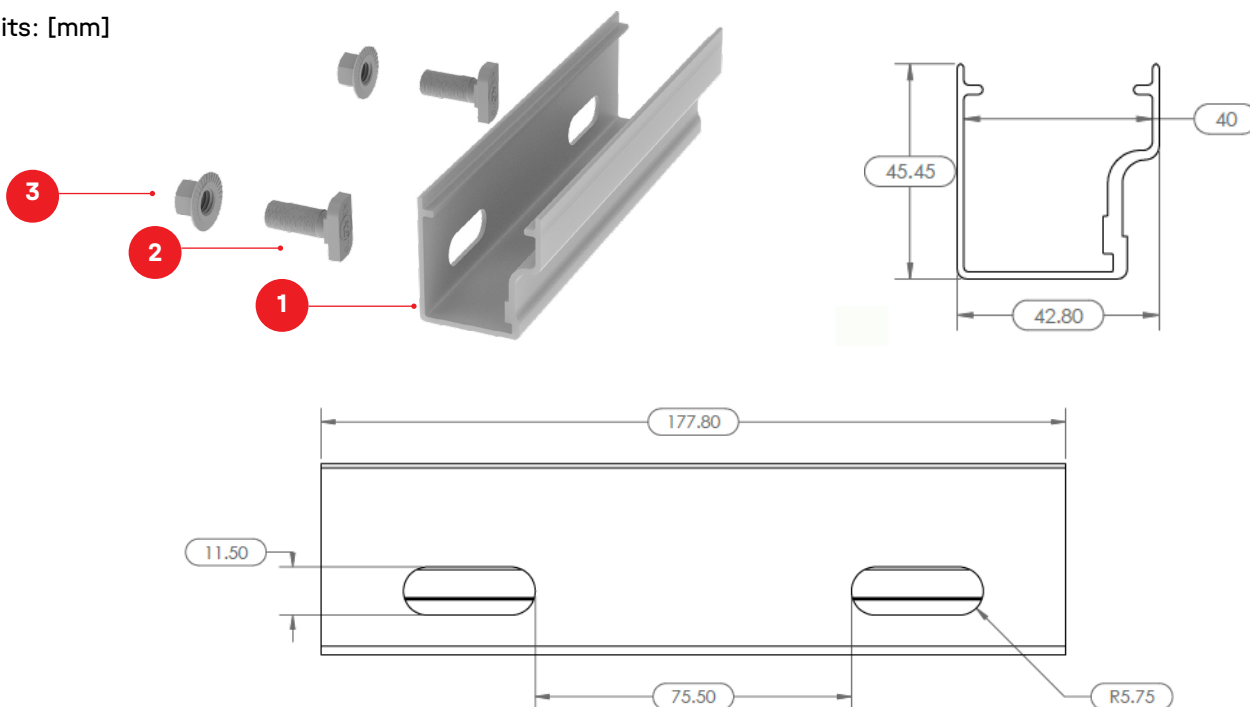
- / Connects two rails, making it like one solid rail
- / Available for all CrossRail profiles
- / Aluminum material with stainless steel hardware
- / Available in mill or dark colors
- / UL2703 Listed System for Fire and Bonding

TECHNICAL DATA



	Rail Connector CR 44-X, Set
Material	Aluminum
Finish	Mill and Dark
Compatibility	CrossRail 44-X and 44-X Max
Structural Connector	Yes
Box Quantity	20
Warranty	25 years
Florida Product Approval	FL#46869

Units: [mm]



Item Number	Description	Part Number
1	Rail Connector CR 44-X, Mill / Dark	4000051 Rail Connector CR 44-X, Set, Mill 4000052 Rail Connector CR 44-X, Set, Dark
2	T-Bolt 28/15 M10×20 SS, CR48/80	4000051-US Rail Connector CR 44-X, Set, Mill, DC 4000052-US Rail Connector CR 44-X, Set, Dark, DC
3	Hex Flange Nut Serr, SS, M10, 1/2" Socket	

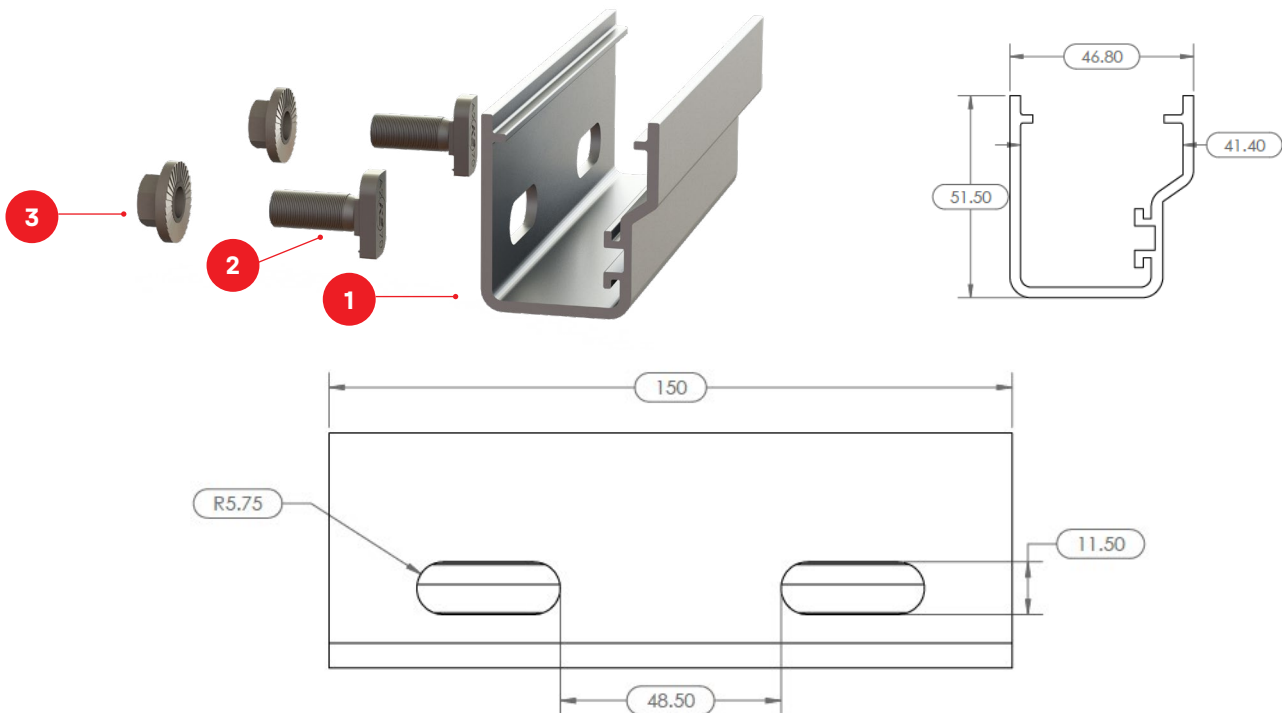


TECHNICAL DATA



	Rail Connector CR 48-X and 48-XL, Set
Material	Aluminum
Finish	Mill and Dark
Compatibility	CrossRail 48-X and 48-XL
Structural Connector	Yes
Box Quantity	10
Warranty	25 years
Florida Product Approval	FL#46869

Units: [mm]



Item Number	Description	Part Number
1	Rail Connector CR 48-X, 48-XL Struc Set, Mill / Dark	4000385 RailConn CR 48-X,48-XL Struct Set, Mill 4000386 RailConn CR 48-X,48-XL Struct Set, Dark
2	T-Bolt 28/15 M10×20 SS, CR48/80	4000385-US RailConn CR 48-X,48-XL Set, Mill, DC 4000386-US RailConn CR 48-X,48-XL Set, Dark, DC
3	Hex Flange Nut Serr, SS, M10, 1/2" Socket	

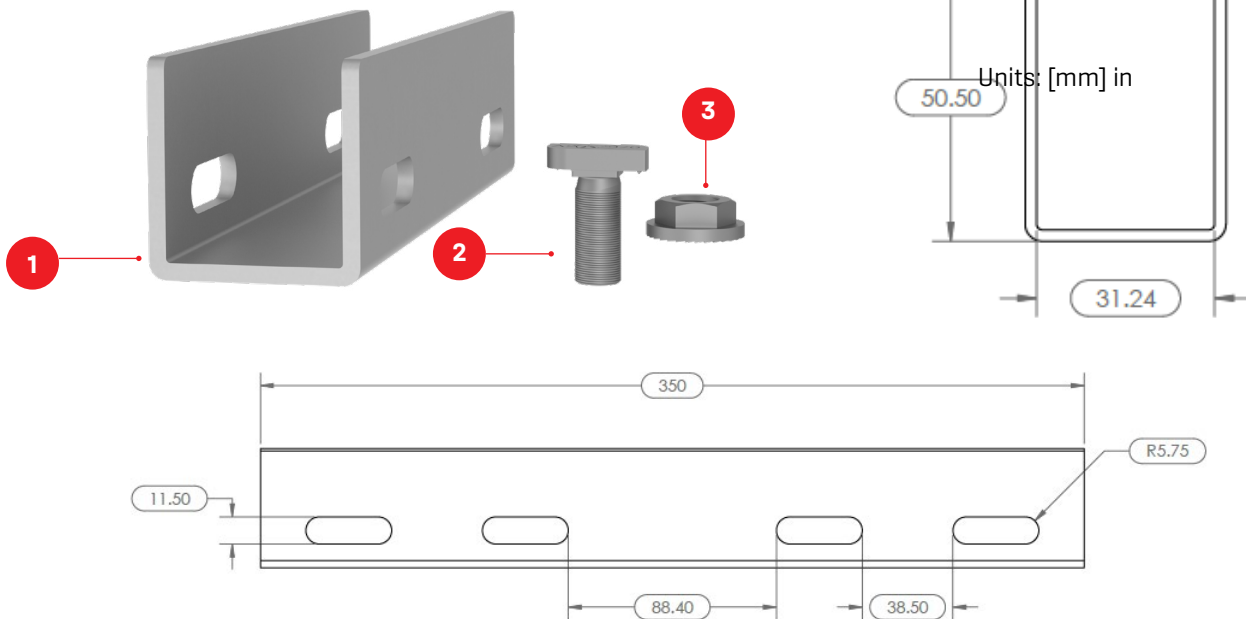


TECHNICAL DATA



	Rail Connector CR 80 Set
Material	Aluminum
Finish	Mill
Compatibility	CrossRail 80
Structural Connector	No
Box Quantity	10
Warranty	25 years

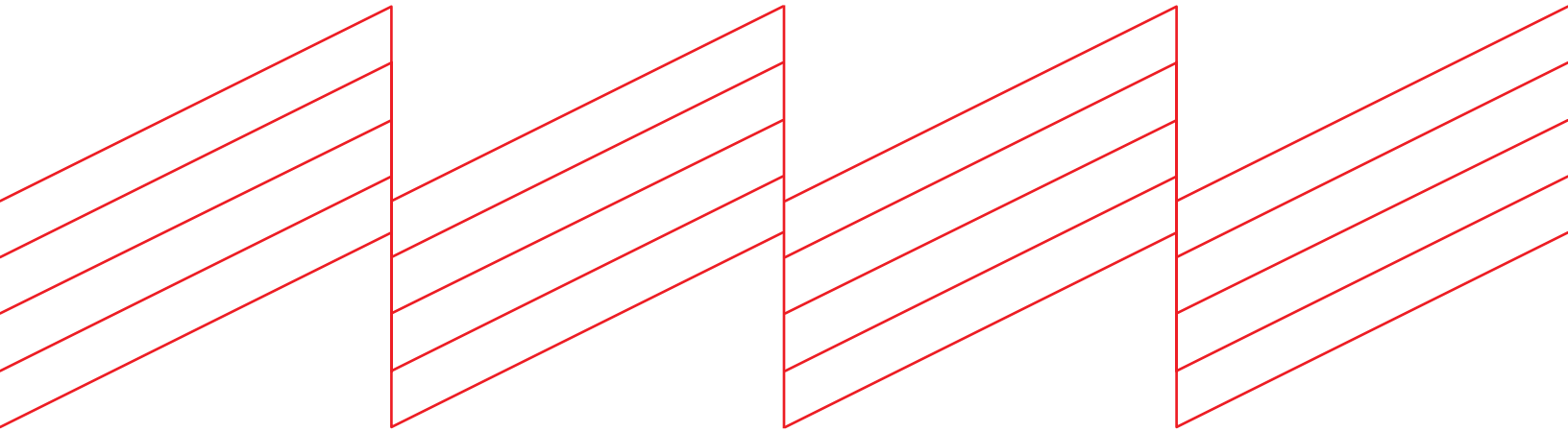
Units: [mm]



Item Number	Description	Part Number
1	Rail Connector CR80, Mill	4001196 RailConn UL 2703 Set, CR80, Mill
2	T-Bolt 28/15 M10×25 SS, CR48/80	
3	Hex Flange Nut Serr, SS, M10, 1/2"Socket	



Connecting Strength



K2 Systems, LLC
4665 North Ave. Suite I • Oceanside, CA 92056 •
USA • +1.760.301.5300 • infous@k2-systems.com
www.k2-systems.com/en-us

Everest Solar Systems S de RL de CV
Calle Coral 2628 Int. 1 • Col. Residencial •
Victoria, CP 44560 • Guadalajara, Jal • Mexico
+52.33.3575.9380 • info@k2-systems.mx
www.k2-systems.com/es-mx